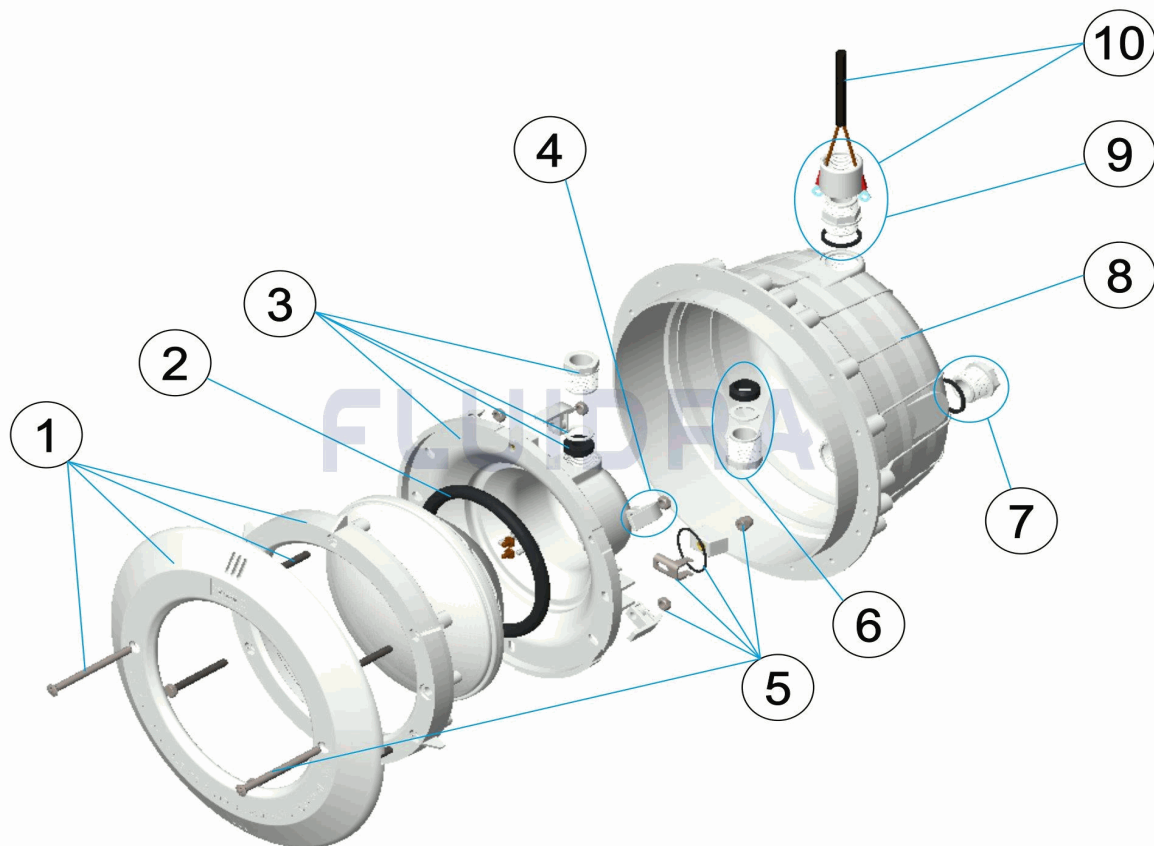


CODIGO **66828**

DESCRIPCION: **PROYECTOR LED LUMIPLUS ESSENTIAL PAR56 PISCINA HORMIGÓN**

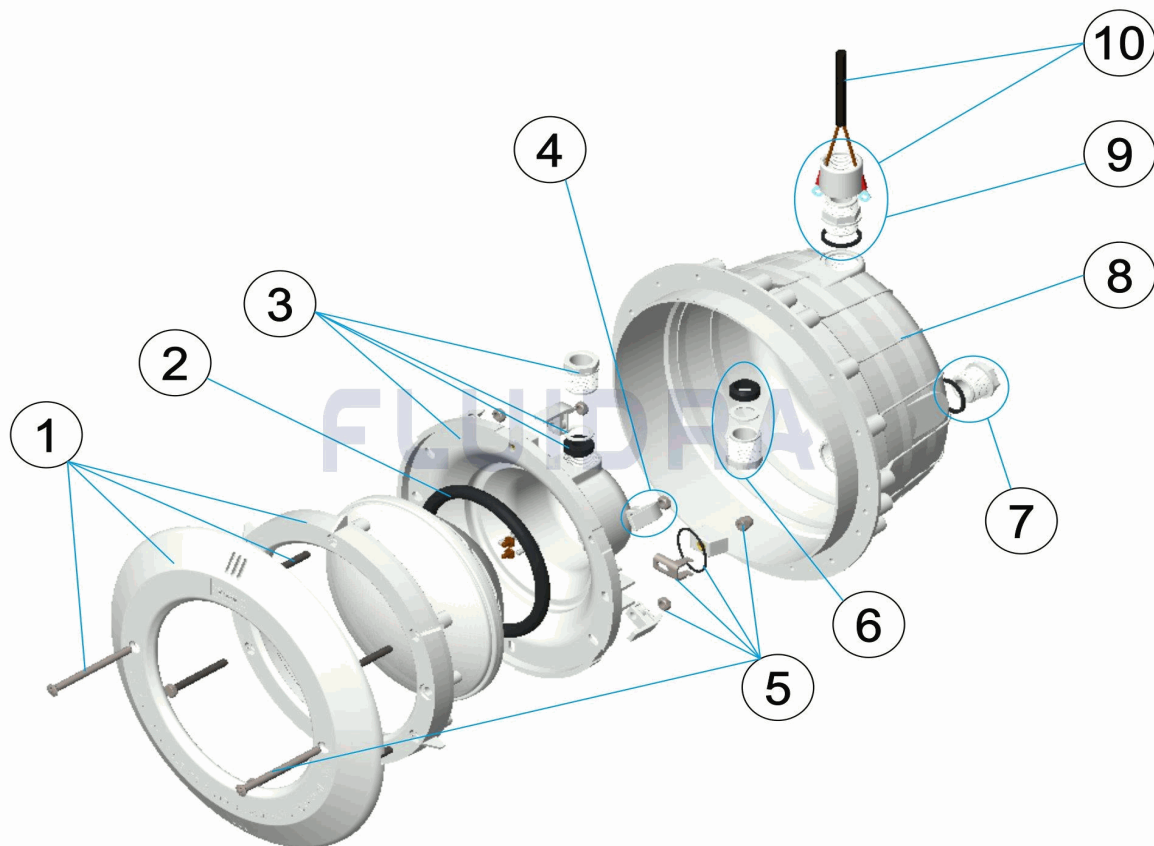


ESPAÑOL

POS	CODIGO	DESCRIPCION	CANTIDAD	POS	CODIGO	DESCRIPCION	CANTIDAD
1	4403013601	EMBELLECEDOR PROYECTOR		6	4403010110	PRENSAESTOPAS M25 HALOGENO	
2	4403010304	JUNTA TORICA PROYECTOR		7	4403010080	TAPON NICHOS PROYECTOR	
3	4403016001	FONDO FOCO PROYECTOR M-25		8	4403010098	NICHOS PROYECTOR	
4	4403010223	CLIP FIJACION PROYECTOR		9	4403010313	PRENSAESTOPAS CUERPO PROYECTOR I	
5	4403016002	FIJACION FOCO PROYECTOR A-4		10	4403010239	CABLE PROYECTOR, PRENSAESTOPAS	

CODE **66828**

DESCRIPTION: **PROJECTEUR LED LUMIPLUS ESS. PAR56 PISCINE BÉTON**

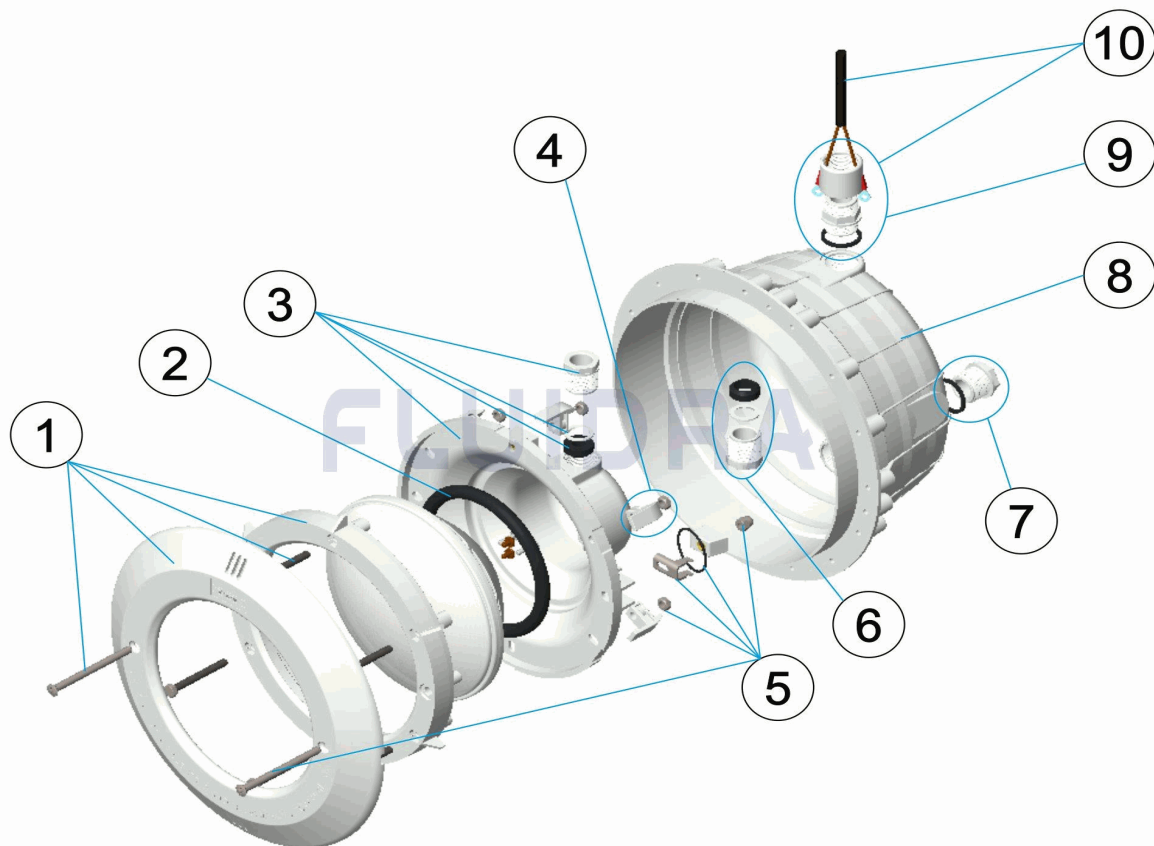


FRANCAIS

POS	CODE	DESCRIPTION	QUANTITE	POS	CODE	DESCRIPTION	QUANTITE
1	4403013601	ENJOLIVEUR DE PROJECTEUR		6	4403010110	PRESSE-ETOUPE M 25	
2	4403010304	JOINT TORIQUE PROJECTEUR		7	4403010080	BOUCHON	
3	4403016001	FOND PROJECTEUR M-25		8	4403010098	NICHE PROJECTEUR	
4	4403010223	CLIP FIXATION PROJECTEUR		9	4403010313	CORPS PRESSE ETOUPE M-25	
5	4403016002	PLATINE FIXATION A-4		10	4403010239	CABLE PROJECTEUR PRESSE ÉTOUPE	

CODE **66828**

DESCRIPTION: **LED LUMIPLUS ESS. PAR56 LIGHT CONCRETE POOL**

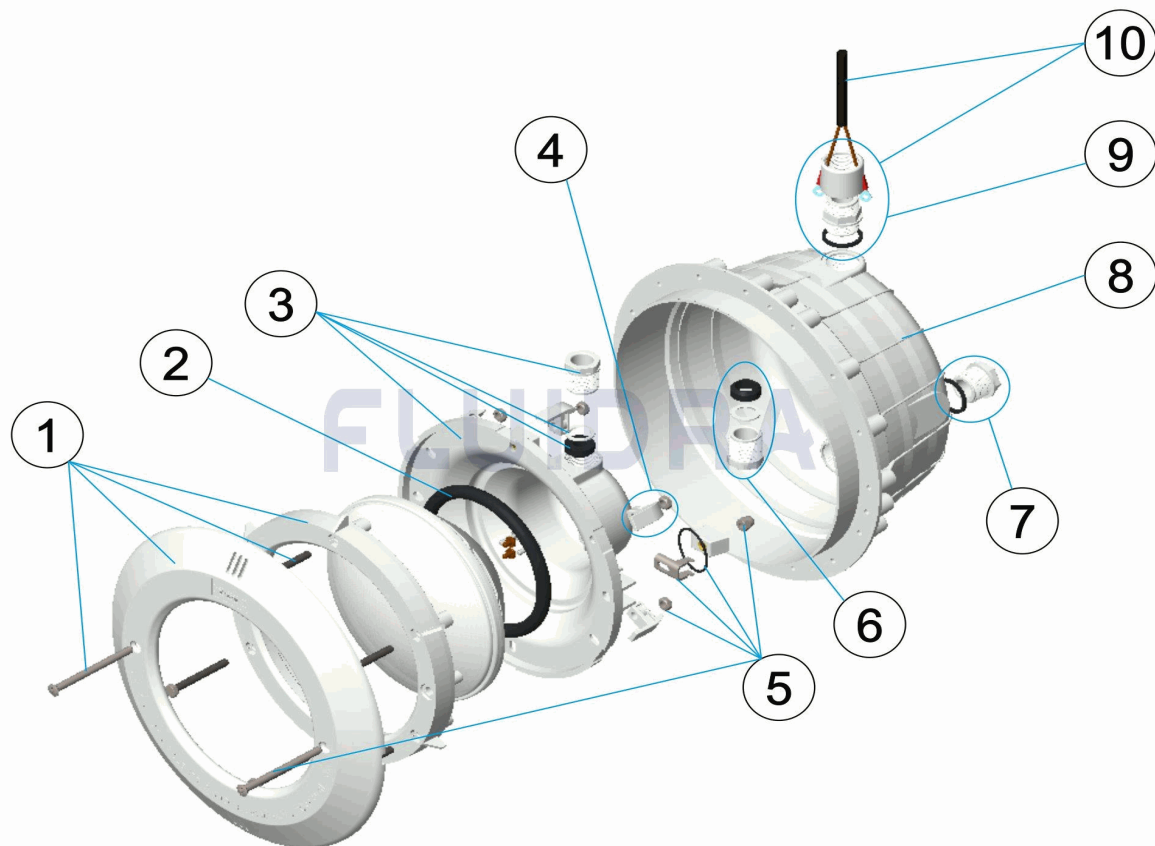


ENGLISH

POS	CODE	DESCRIPTION	QUANTITY	POS	CODE	DESCRIPTION	QUANTITY
1	4403013601	LIGHT FACEPLATE		6	4403010110	PACKING GLAND M 25	
2	4403010304	LIGHT O RING		7	4403010080	HANDRAIL PLUNG	
3	4403016001	BACK COVER M-25		8	4403010098	FLOODLAMP HOUSING	
4	4403010223	LIGHT FIXING CLIP		9	4403010313	BODY PACKING GLAND M-25	
5	4403016002	LIGHT FIXING FIXTURES A -4		10	4403010239	PROJECTOR CABLE, PACKING GLANDS PR	

CODICE **66828**

DESCRIZIONE: **PROIETTORE LED LUMIPLUS ESS. PAR56 PISCINA CEMENTO**

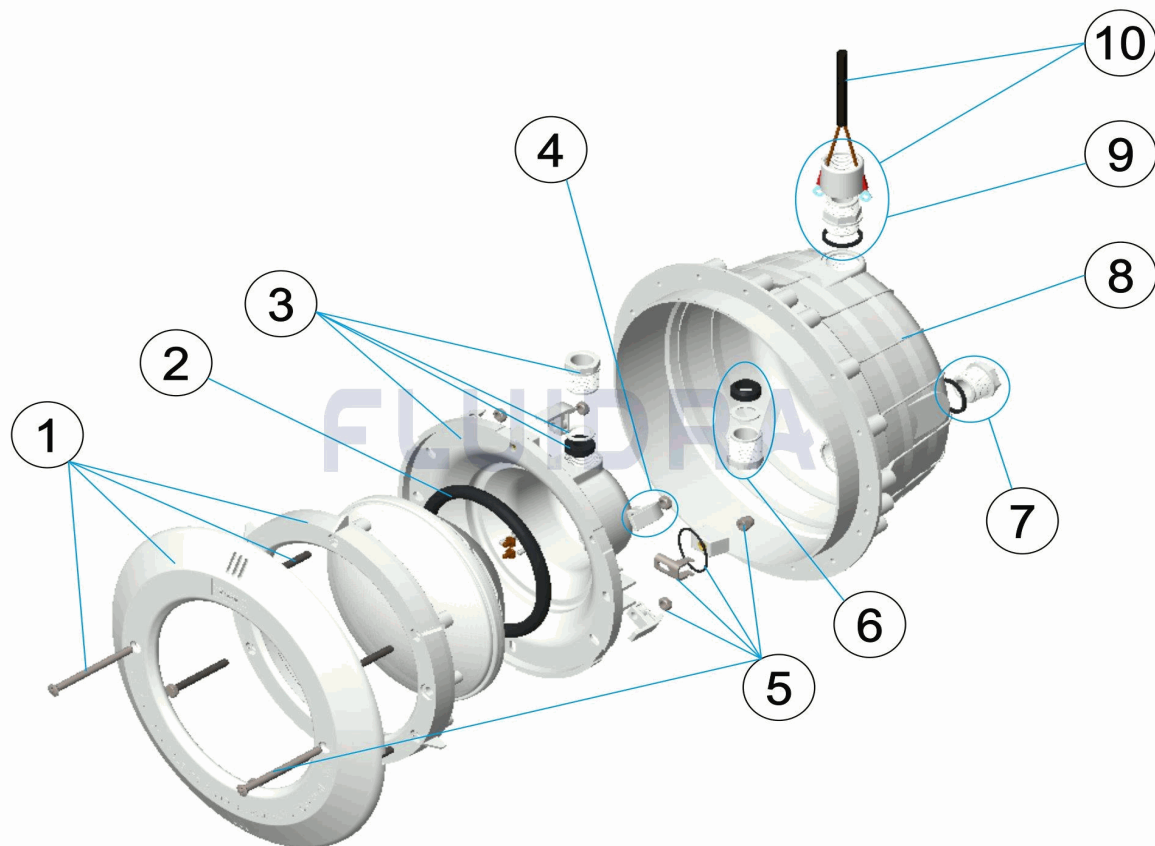


ITALIANO

POS	CODICE	DESCRIZIONE	QUANTITA'	POS	CODICE	DESCRIZIONE	QUANTITA'
1	4403013601	ANELLO FRONTALE FARO		6	4403010110	PRESSACAVI M 25	
2	4403010304	O-RING FARO		7	4403010080	TAPPO	
3	4403016001	CALOTTA FARO M-25		8	4403010098	NICCHIA PROIETTORE	
4	4403010223	CLIP FISSAGGIO FARO		9	4403010313	PRESSACAVI CORPO M-25	
5	4403016002	FISSAGGIO FARO A-4		10	4403010239	CAVO FARO, PRESSACAVO	

CODE **66828**

BESCHREIBUNG: **UWS LED LUMIPLUS ESS. PAR56 BETONBECKEN**

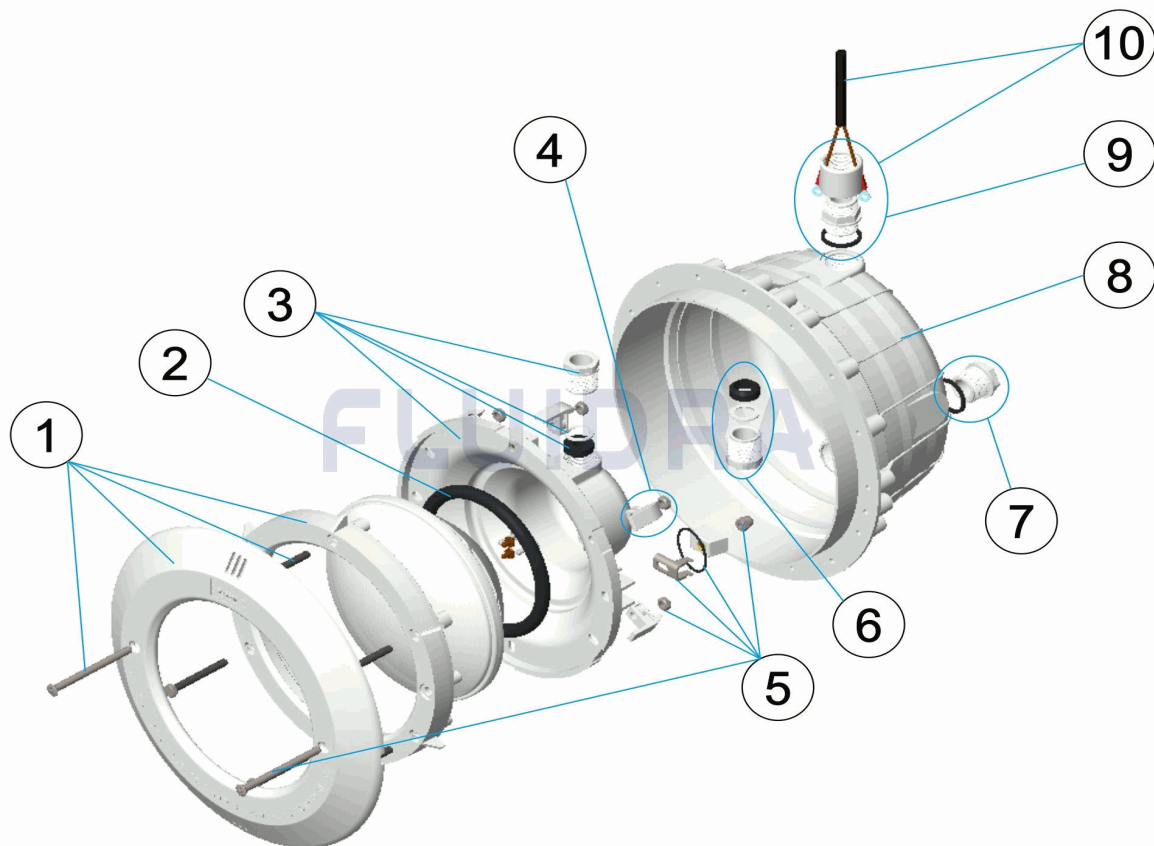


DEUTSCH

POS	CODE	BESCHREIBUNG	MENGE	POS	CODE	BESCHREIBUNG	MENGE
1	4403013601	BLLENDE UWS		6	4403010110	QUETSCHVERSCHRAUBUNG M25 HALOGE	
2	4403010304	O-RING UWS		7	4403010080	STOPFEN EINBAUTOPF UWS	
3	4403016001	BASIS UWS M-25		8	4403010098	EINBAUTOPF UWS	
4	4403010223	FIXIERCLIP UWS		9	4403010313	QUETSCHVERSCHRAUBUNG GEHÄUSE UV	
5	4403016002	FIXIERUNG LAMPE UWS A-4		10	4403010239	UWS-KABEL, QUETSCHVERSCHRAUBUNG	

CODIGO **66828**

DESCRIÇÃO: **PROJECTOR LED LUMIPLUS ESS. PAR56 PISCINA BETÃO**



PORTUGUES

POS	CODIGO	DESCRIÇÃO	JANTIDADE	POS	CODIGO	DESCRIÇÃO	JANTIDADE
1	4403013601	EMBELEZEDOR PROJECTOR		6	4403010110	BUCIN M-25	
2	4403010304	JUNTA TÓRICA PROJECTOR		7	4403010080	TAMPAO	
3	4403016001	FUNDO FOCO PROJECTOR M-25		8	4403010098	NICHO PROJECTOR	
4	4403010223	CLIP FIXAÇÃO PROJECTOR		9	4403010313	BUCIN CORPO M-25	
5	4403016002	FIXAÇÃO FOCO PROJECTOR A-4		10	4403010239	CABO P' ROJECTOR BUCIM PROJECTOR	