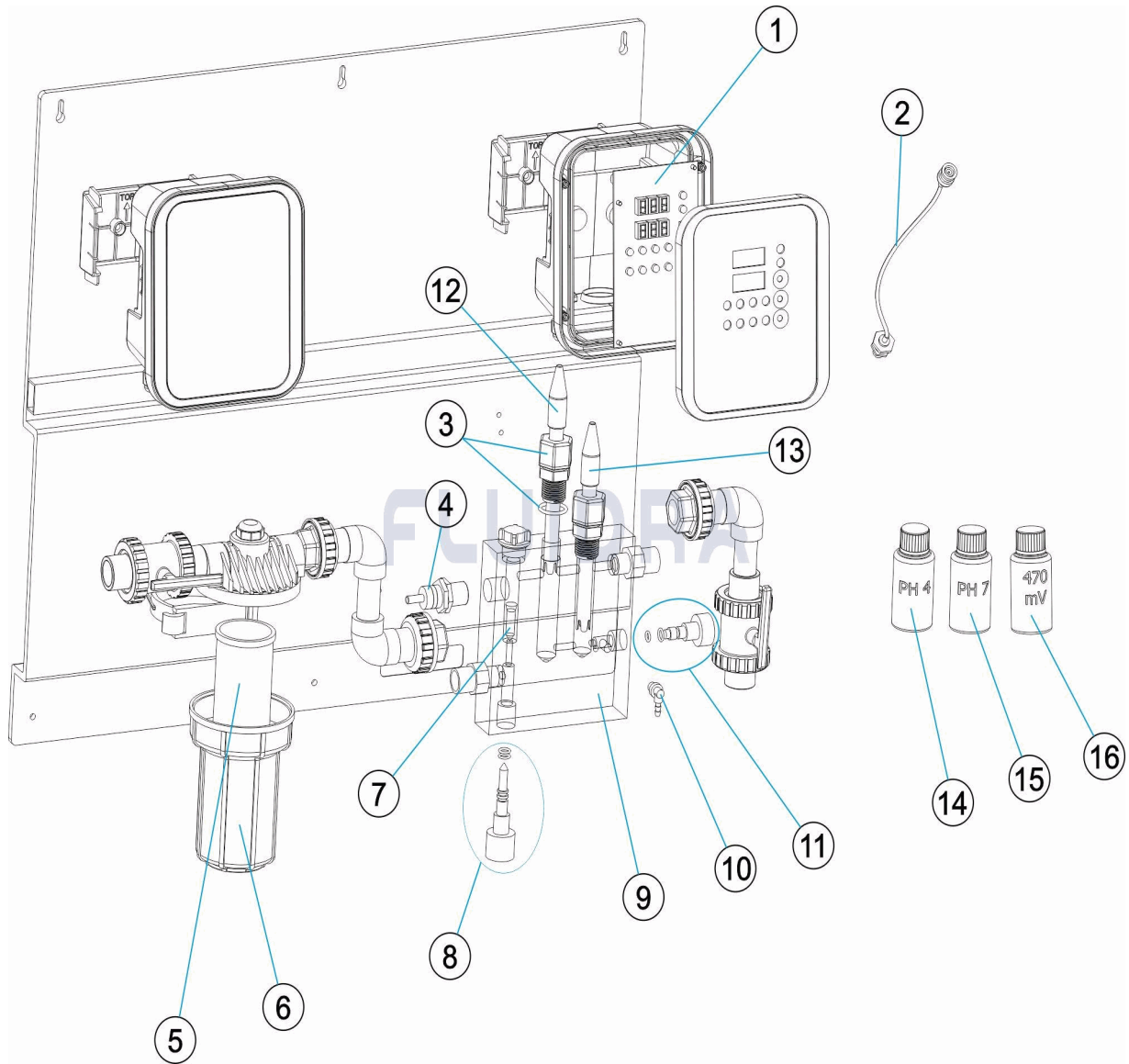


CODIGO **60359**

DESCRIPCION: **AP PR-206 PH/ORP**



ESPAÑOL

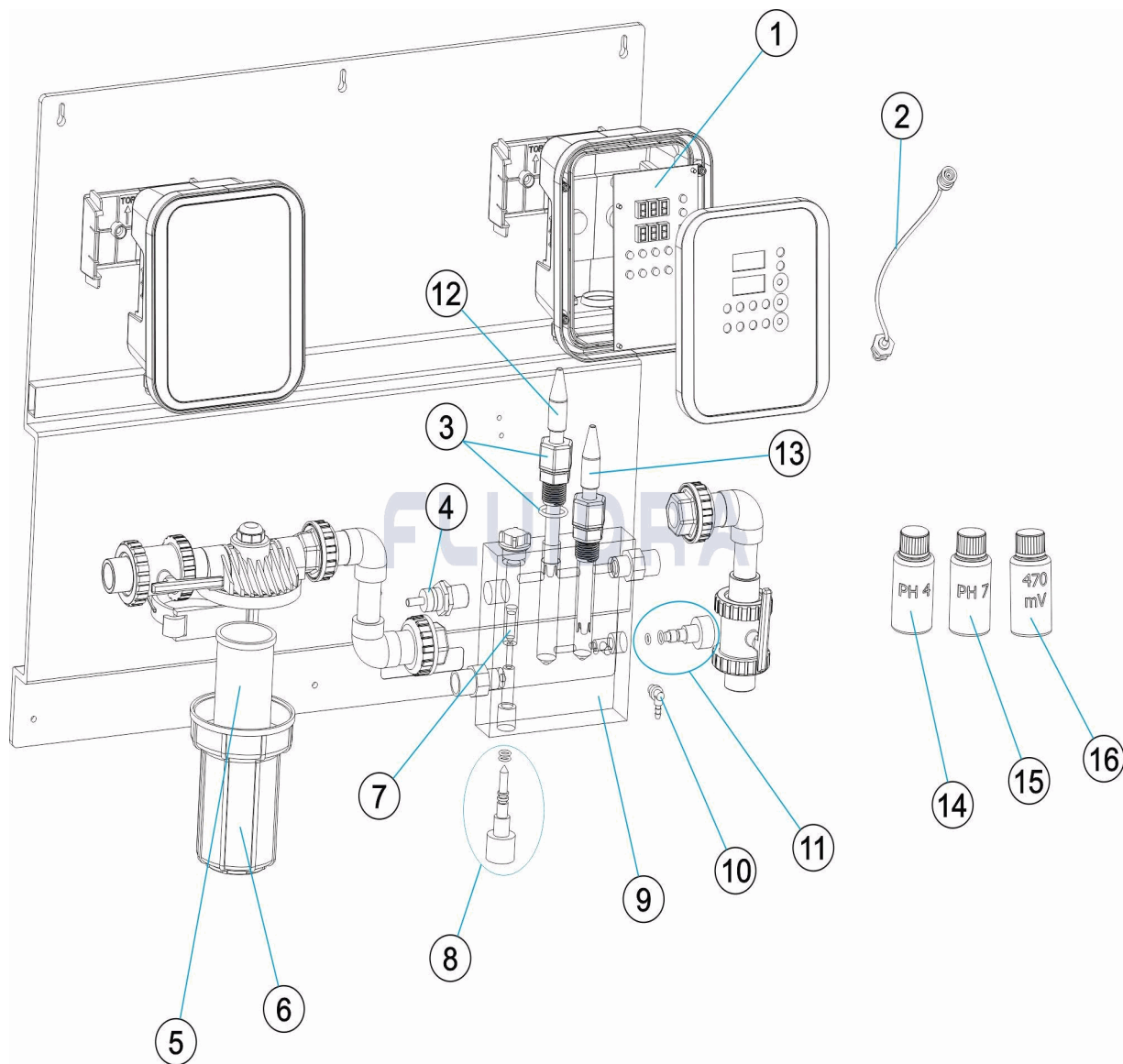
POS	CODIGO	DESCRIPCION	CANTIDAD	POS	CODIGO	DESCRIPCION	CANTIDAD
1	* 4408040153	PLACA CONTROL ORP		9	4408040155	PORTASONDAS PH/ORP + PRX REP/VTA	
1	* 4408040154	PLACA CONTROL PH		10	4408040158	SALIDA DESAGÜE TOMA MUESTRAS	
2	4408070069	CONECTOR BNC		11	4408040157	VÁLVULA TOMA MUESTRAS	
3	4408040604	PORTAELECTRODOS PE 12M/M-1/2"		12	60648	ELECTRODO COMBINADO PH	
4	4408041541	SENSOR INDUCTIVO DE CAUDAL		13	60649	ELECTRODO ORP	
5	4408041537	FILTRO PORTASONDAS LAVABLE		14	60632	TAMPON PH 4,0 50 ML. (ROJO)	
6	4408041538	PORTASONDAS E/S 1/2"		15	60618	TAMPON PH 7,0 50 M/L. (VERDE)	
7	4408040159	FLOTADOR DETECTOR CAUDAL		16	60633	SOLUCION CALIBRACION 470MV.	
8	4408040156	VALVULA CAUDAL + JUNTA TORICA					

CODIGO **60359**DESCRIPCION: **AP PR-206 PH/ORP****OBSERVACIONES**

POS	CODIGO	OBSERVACIONES
1	* 4408040153	PARA: ORP
1	* 4408040154	PARA: PH

CODE 60359

DESCRIPTION: AP PR-206 PH/ORP



FRANCAIS

POS	CODE	DESCRIPTION	QUANTITE	POS	CODE	DESCRIPTION	QUANTITE
1	* 4408040153	PLAQUE CONTRÔLE ORP		9	4408040155	PORTE-SONDES PH/ORP + PRX REP/VTA	
1	* 4408040154	PLAQUE CONTRÔLE PH		10	4408040158	SORTIE DRAINAGE PRISE ÉCHANTILLONS	
2	4408070069	CONNECTEUR BNC		11	4408040157	VANNE PRISE ÉCHANTILLONS	
3	4408040604	PORTE-ÉLECTRODE PE 12M/M. 1/2"		12	60648	ELECTRODE COMBINÉE PH	
4	4408041541	SONDE DE DÉBIT INDUCTIVE		13	60649	ELECTRODE ORP	
5	4408041537	FILTRE PORTE-SONDES LAVABLE		14	60632	TAMPON PH 4,0 50 ML. (ROUGE)	
6	4408041538	PORTE-SONDES E/S 1/2"		15	60618	TAMPON PH 7,0 50 M/L. (VERT)	
7	4408040159	FLOTTEUR DÉTECTEUR DÉBIT		16	60633	SOLUTION CALIBRAGE 470 MV	
8	4408040156	VANNE REGULATION DE DEBIT + JOINT TC					

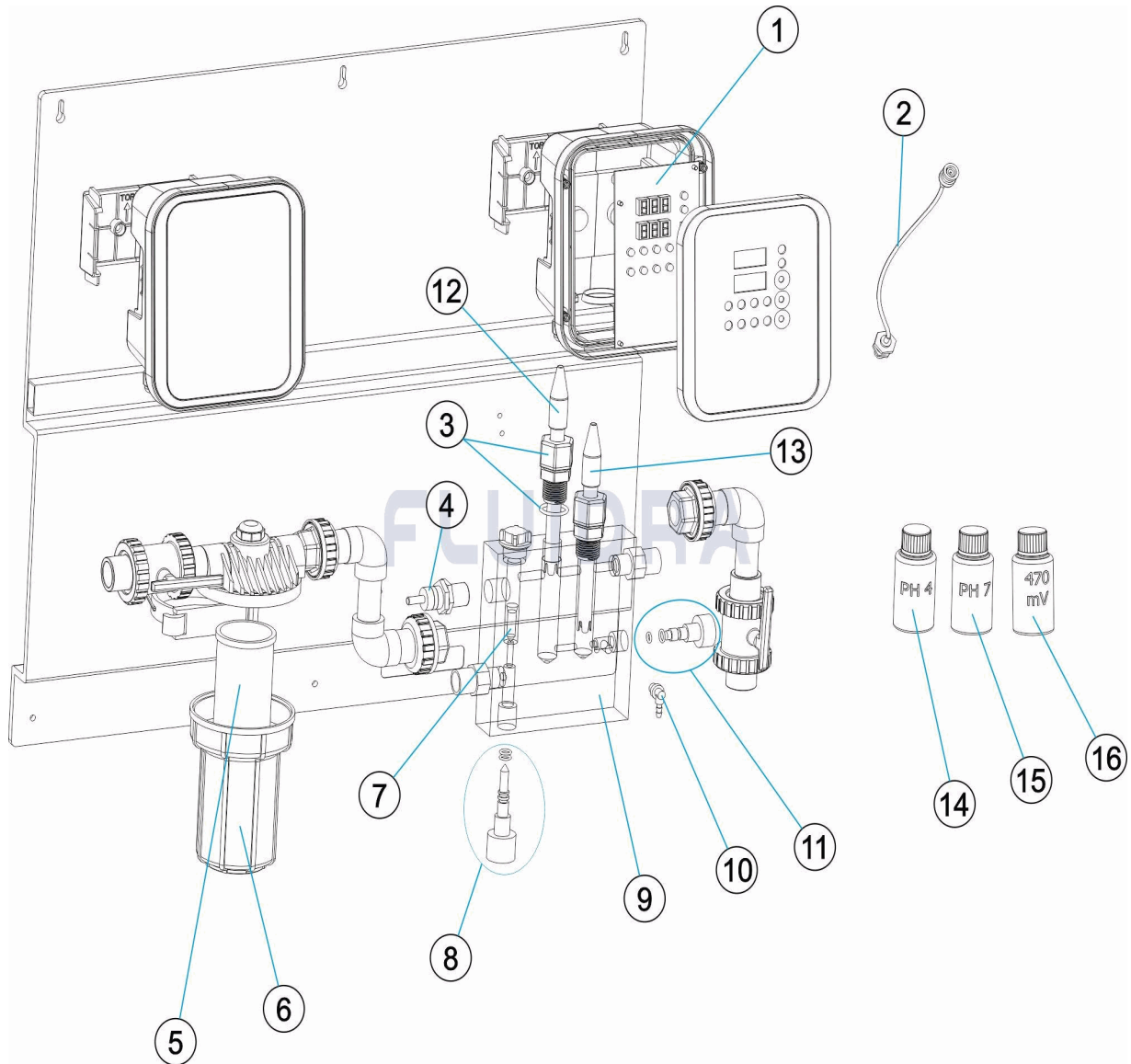
CODE **60359**

DESCRIPTION: AP PR-206 PH/ORP

OBSERVATIONS

POS	CODE	OBSERVATIONS
1	* 4408040153	POUR: ORP
1	* 4408040154	POUR: PH

CODE **60359**
DESCRIPTION: AP PR-206 PH/ORP



ENGLISH

POS	CODE	DESCRIPTION	QUANTITY	POS	CODE	DESCRIPTION	QUANTITY
1	* 4408040153	ELECTRONIC CARD ORP		9	4408040155	SENSOR HOLDER PH/ORP + PRX REP/VTA	
1	* 4408040154	ELECTRONIC CARD PH		10	4408040158	SAMPLING DRAIN OUTLET	
2	4408070069	BNC CONNECTOR		11	4408040157	SAMPLING VALVE	
3	4408040604	ELECTRODE CARRIER PE 12M/M.-1/2"		12	60648	ELECTRODE PH	
4	4408041541	INDUCTIVE FLOW SENSOR		13	60649	ORP ELECTRODE	
5	4408041537	WASHABLE MAXIM CELL FILTER		14	60632	CALIBRATION SOLUTION PH 4,0 50 ML. (RE	
6	4408041538	MAXIM CELL E/S 1/2"		15	60618	CALIBRATION SOLUTION PH 7,0 50 M/L. (Gf	
7	4408040159	FLOW DETECTOR FLOAT		16	60633	CALIBRATION SOLUTION ORP 470 MV	
8	4408040156	CONTROL VALVE + O' RING					

CODE **60359**

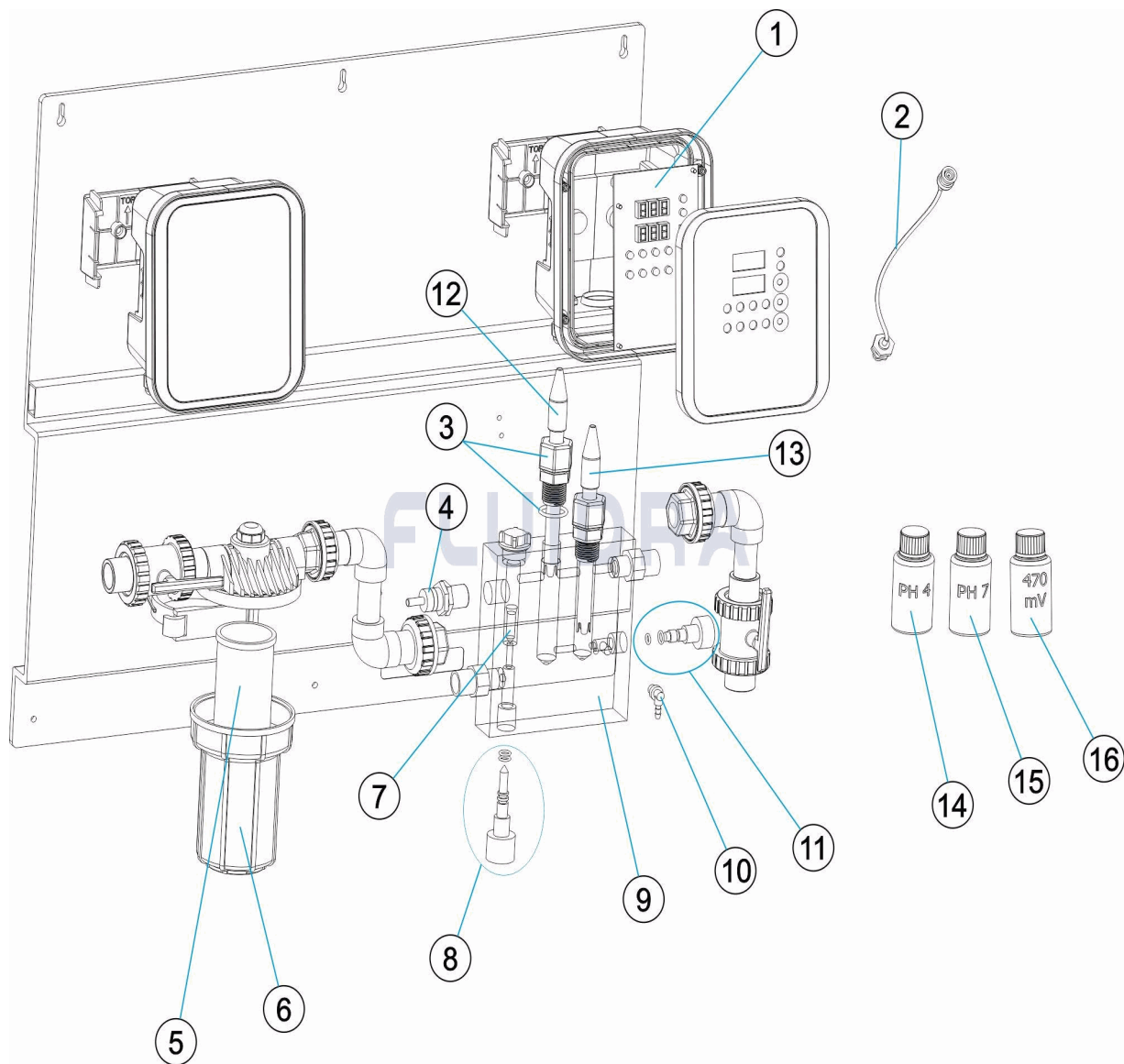
DESCRIPTION: AP PR-206 PH/ORP

OBSERVATIONS

POS	CODE	OBSERVATIONS
1	* 4408040153	FOR: ORP
1	* 4408040154	FOR: PH

CODICE 60359

DESCRIZIONE: AP PR-206 PH/ORP



ITALIANO

POS	CODICE	DESCRIZIONE	QUANTITA'	POS	CODICE	DESCRIZIONE	QUANTITA'
1	* 4408040153	SCHEDA ORP		9	4408040155	PORTA-SONDE PH/ORP + PRX REP/VTA	
1	* 4408040154	SCHEDA PH		10	4408040158	USCITA SCARICO PRELIEVO CAMPIONI	
2	4408070069	CONNETTORE BNC		11	4408040157	VALVOLA PRELIEVO CAMPIONI	
3	4408040604	PORTAELETTODO PE 12M/M. X 1/2"		12	60648	ELETTRODO COMBINATO PH	
4	4408041541	SONDA DI FLUSSO INDUTTIVA		13	60649	ELETTRODO RX	
5	4408041537	FILTRO PORTA-SONDE LAVABILE		14	60632	SOLUZIONE TAMPONE PH 4,0 50 ML. (ROS)	
6	4408041538	PORTA-SONDE E/S 1/2"		15	60618	SOLUZIONE TAMPONE PH 7,0 50 M/L. (VER)	
7	4408040159	GALLEGGIANTE RILEVATORE DI PORTATA		16	60633	SOLUZIONE CALIBRAZIONE 470MV.	
8	4408040156	VALVOLA DI REGOLAZIONE + O-RING					

CODICE **60359**

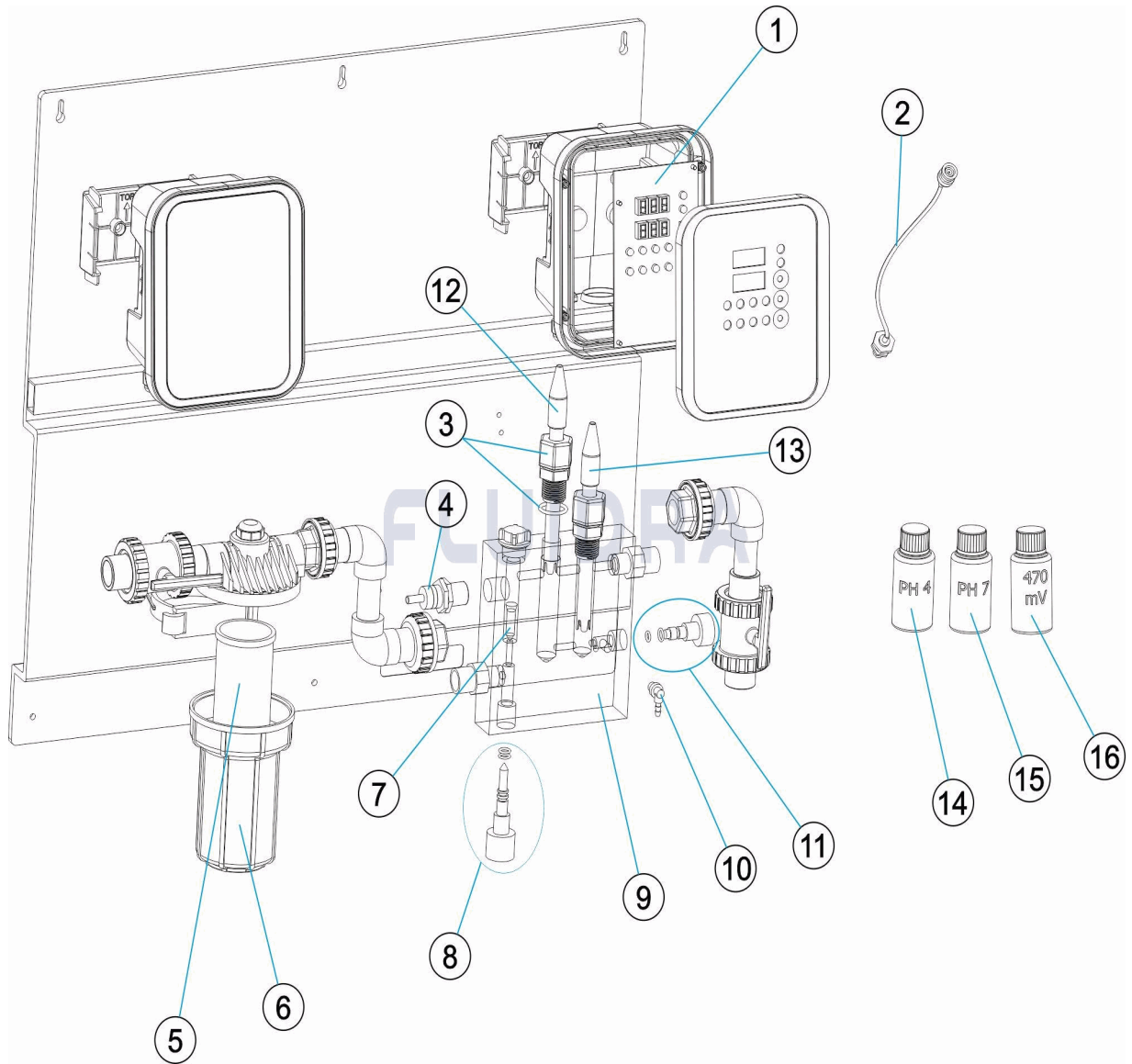
DESCRIZIONE: **AP PR-206 PH/ORP**

OSSERVAZIONI

POS	CODICE	OSSERVAZIONI
1	* 4408040153	PER: ORP
1	* 4408040154	PER: PH

CODE **60359**

BESCHREIBUNG: **AP PR-206 PH/ORP**



DEUTSCH

POS	CODE	BESCHREIBUNG	MENGE	POS	CODE	BESCHREIBUNG	MENGE
1	* 4408040153	ORP-KONTROLLPLATTE		9	4408040155	SONDENHALTERUNG PH/ORP + PRX REPA	
1	* 4408040154	PH-KONTROLLPLATTE		10	4408040158	ABLASS PROBEENTNAHME	
2	4408070069	STECKKUPPLUNG BNC		11	4408040157	VENTIL PROBEENTNAHME	
3	4408040604	ELEKTRODENSITZ PE 12 MM-1/2"		12	60648	ELEKTRODE KOMBINIERT PH	
4	4408041541	INDUKTIVER DURCHFLUSSMESSER		13	60649	ORP-ELEKTRODE	
5	4408041537	SONDENHALTERUNG FILTER WASCHBAR		14	60632	PUFFER PH 4,0 50 ML (ROT)	
6	4408041538	SONDENHALTERUNG E/S 1/2"		15	60618	PUFFER PH 7,0 50 M/L (GRÜN)	
7	4408040159	SCHWIMMER DURCHFLUSSANZEIGE		16	60633	KALIBRIERLÖSUNG 47 0MV	
8	4408040156	DURCHFLUSSVENTIL + O-RING					

CODE **60359**

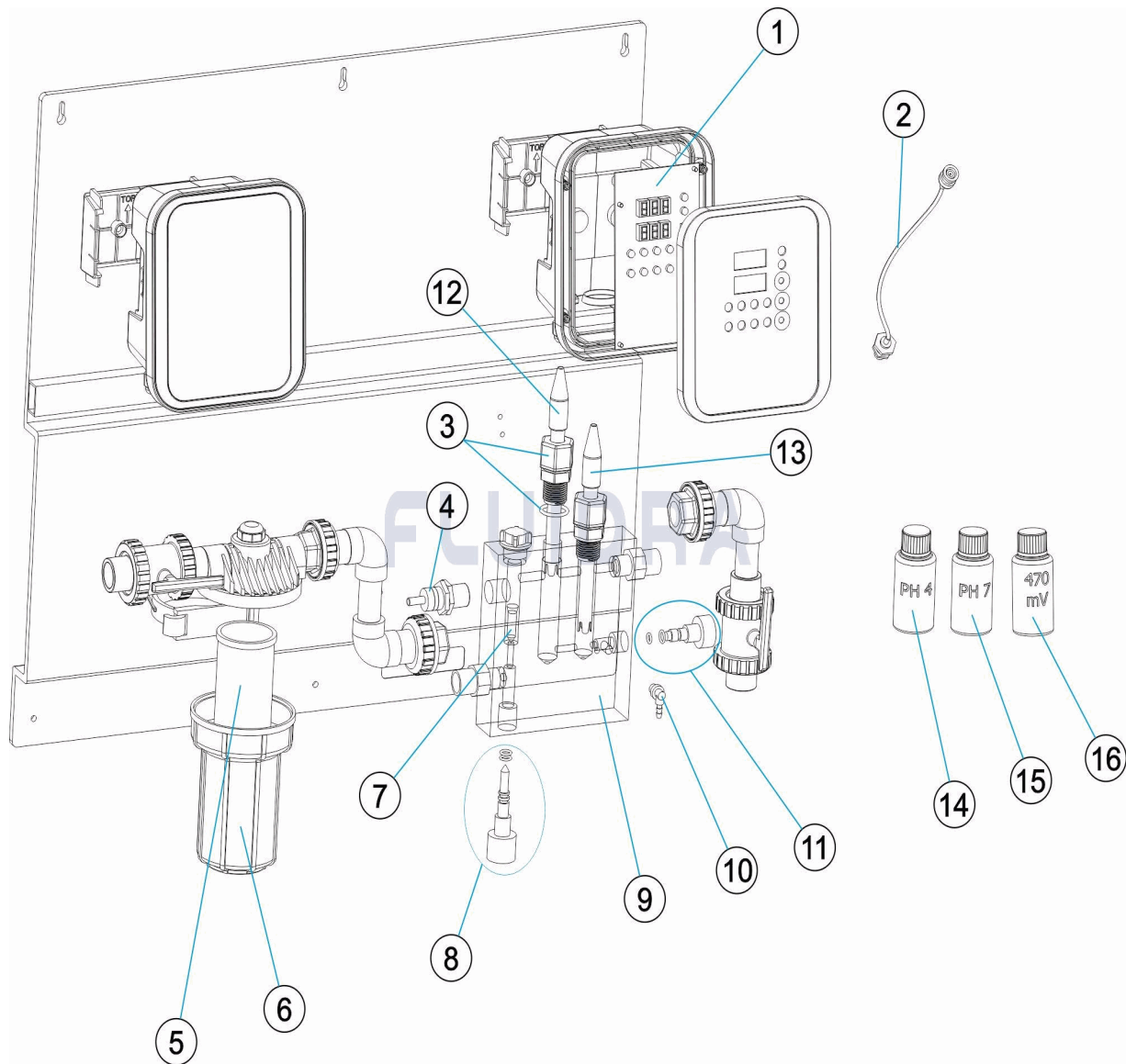
BESCHREIBUNG: **AP PR-206 PH/ORP**

HINWEISE

POS	CODE	HINWEISE
1	* 4408040153	FÜR: ORP
1	* 4408040154	FÜR: PH

CODIGO **60359**

DESCRIÇÃO: **AP PR-206 PH/ORP**



PORTUGUES

POS	CODIGO	DESCRIÇÃO	JANTIDADE	POS	CODIGO	DESCRIÇÃO	JANTIDADE
1	* 4408040153	PLACA CONTROLO ORP		9	4408040155	PORTA-SONDAS PH/ORP + PRX REP/VTA	
1	* 4408040154	PLACA CONTROLO PH		10	4408040158	SAÍDA DESCARGA RECOLHA AMOSTRAS	
2	4408070069	LIGAÇÃO BNC		11	4408040157	VÁLVULA RECOLHA AMOSTRAS	
3	4408040604	PORTAELECTRODOS PE 12MM-1/2"		12	60648	ELECTRODO COMBINADO PH	
4	4408041541	SONDA DE CAUDAL INDUTIVA		13	60649	ELECTRODO ORP	
5	4408041537	FILTRO PORTA-SONDAS LAVÁVEL		14	60632	SOLUÇÃO TAMPÃO PH 4,0 50 ML. (VERMEL)	
6	4408041538	PORTA-SONDAS E/S 1/2"		15	60618	SOLUÇÃO TAMPÃO PH 7,0 50 M/L. (VERDE)	
7	4408040159	BOIA DETETOR DE CAUDAL		16	60633	SOLUÇÃO TAMPÃO 470 MV	
8	4408040156	VÁLVULA CAUDAL + JUNTA TÓRICA					

CODIGO 60359

DESCRIÇÃO: AP PR-206 PH/ORP

OBSERVAÇÕES

POS	CODIGO	OBSERVAÇÕES
1	* 4408040153	PARA: ORP
1	* 4408040154	PARA: PH