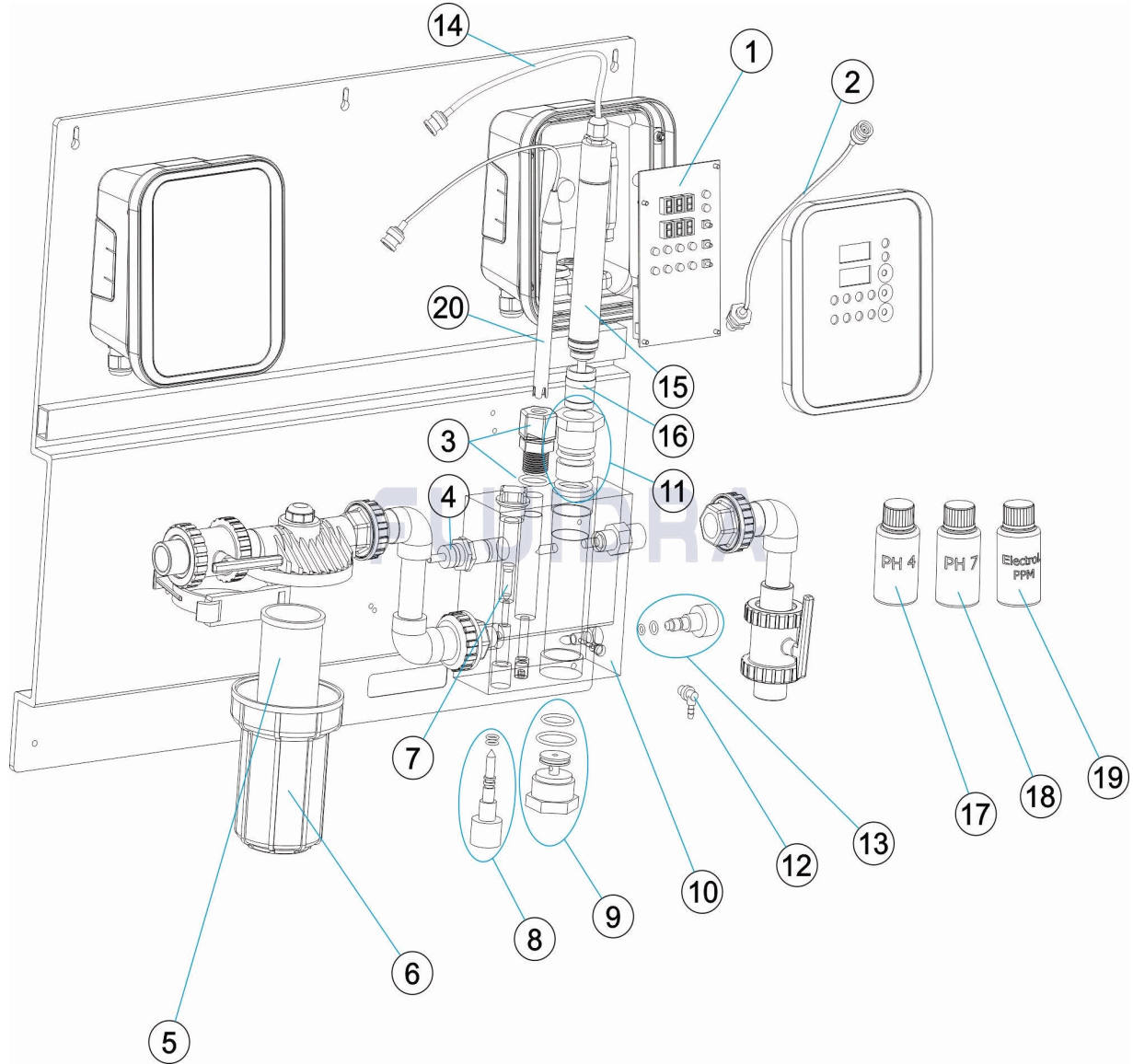


CODIGO **60361**

DESCRIPCION: **AP PR-207 PH/CI2 PPM**



ESPAÑOL

POS	CODIGO	DESCRIPCION	CANTIDAD	POS	CODIGO	DESCRIPCION	CANTIDAD
1	* 4408040152	PLACA CONTROL PPM		11	4408040161	RACOR + JUNTA TORICA	
1	* 4408040154	PLACA CONTROL PH		12	4408040158	SALIDA DESAGÜE TOMA MUESTRAS	
2	4408070069	CONECTOR BNC		13	4408040157	VÁLVULA TOMA MUESTRAS	
3	4408040604	PORTAELECTRODOS PE 12M/M-1/2"		14	4408040216	CABLE BNC MACHO 2 HILOS A Sonda PPM	
4	4408041541	SENSOR INDUCTIVO DE CAUDAL		15	60645	SENSOR CLORO LIBRE	
5	4408041537	FILTRO PORTASONDAS LAVABLE		16	60647	CABEZAL MEMBRANA SENSOR CLORO LIB	
6	4408041538	PORTASONDAS E/S 1/2"		17	60632	TAMPON PH 4,0 50 ML. (ROJO)	
7	4408040159	FLOTADOR DETECTOR CAUDAL		18	60618	TAMPON PH 7,0 50 M/L. (VERDE)	
8	4408040156	VALVULA CAUDAL + JUNTA TORICA		19	60646	ELECTROLITO ECC1/GEL Sonda CL	
9	4408040160	TAPÓN INFERIOR Sonda AMPEROMÉTRIC		20	60648	ELECTRODO COMBINADO PH	
10	4408041540	PORTASONDAS PH + CL					

CODIGO **60361**DESCRIPCION: **AP PR-207 PH/CI2 PPM****OBSERVACIONES**

POS	CODIGO	OBSERVACIONES
1	* 4408040152	PARA: PPM
1	* 4408040154	PARA: PH

CODE **60361**

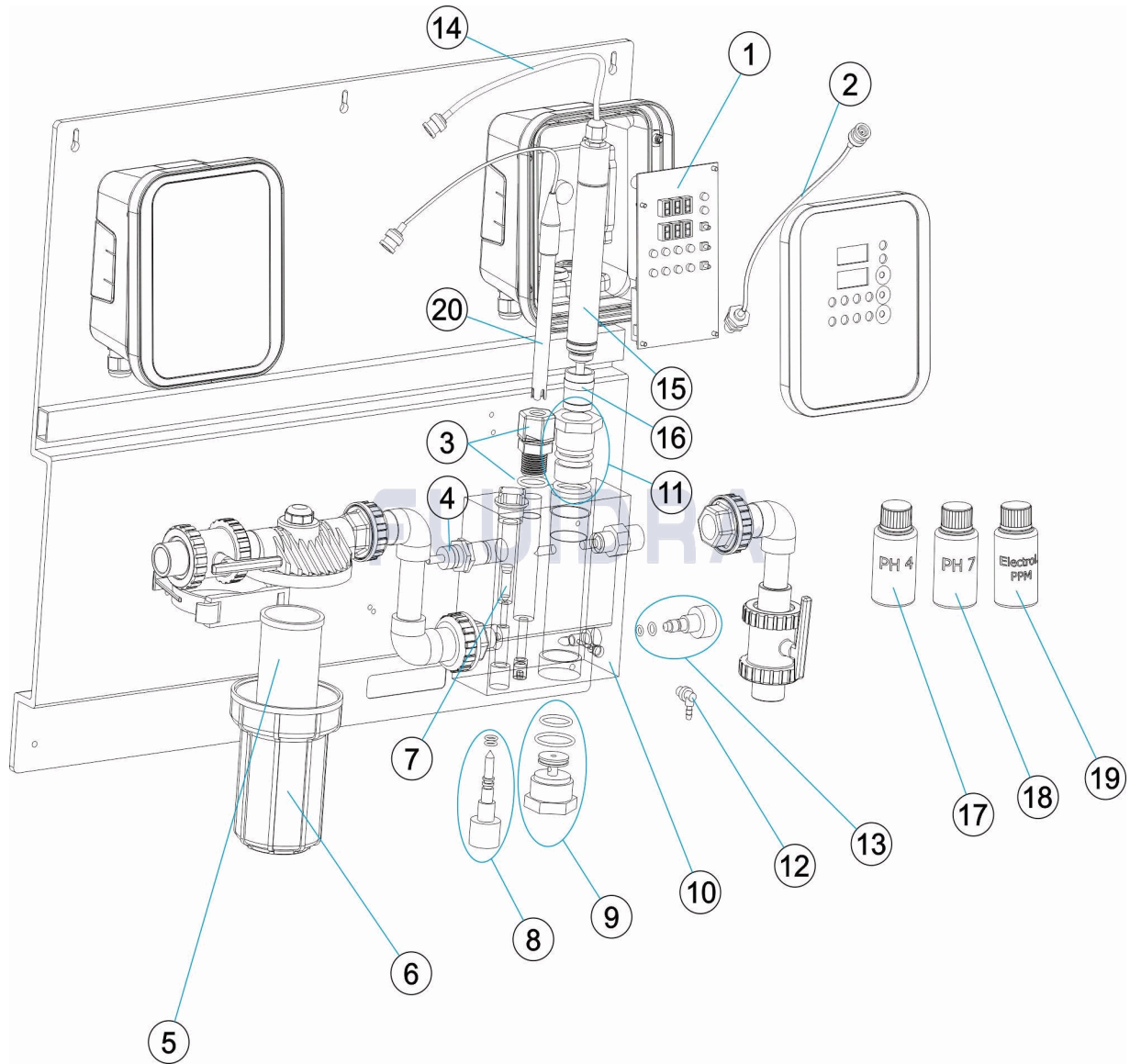
DESCRIPTION: AP PR-207 PH/CL2 PPM

OBSERVATIONS

POS	CODE	OBSERVATIONS
1	* 4408040152	POUR: PPM
1	* 4408040154	POUR: PH

CODE **60361**

DESCRIPTION: **AP PR-207 PH/CL2 PPM**



ENGLISH

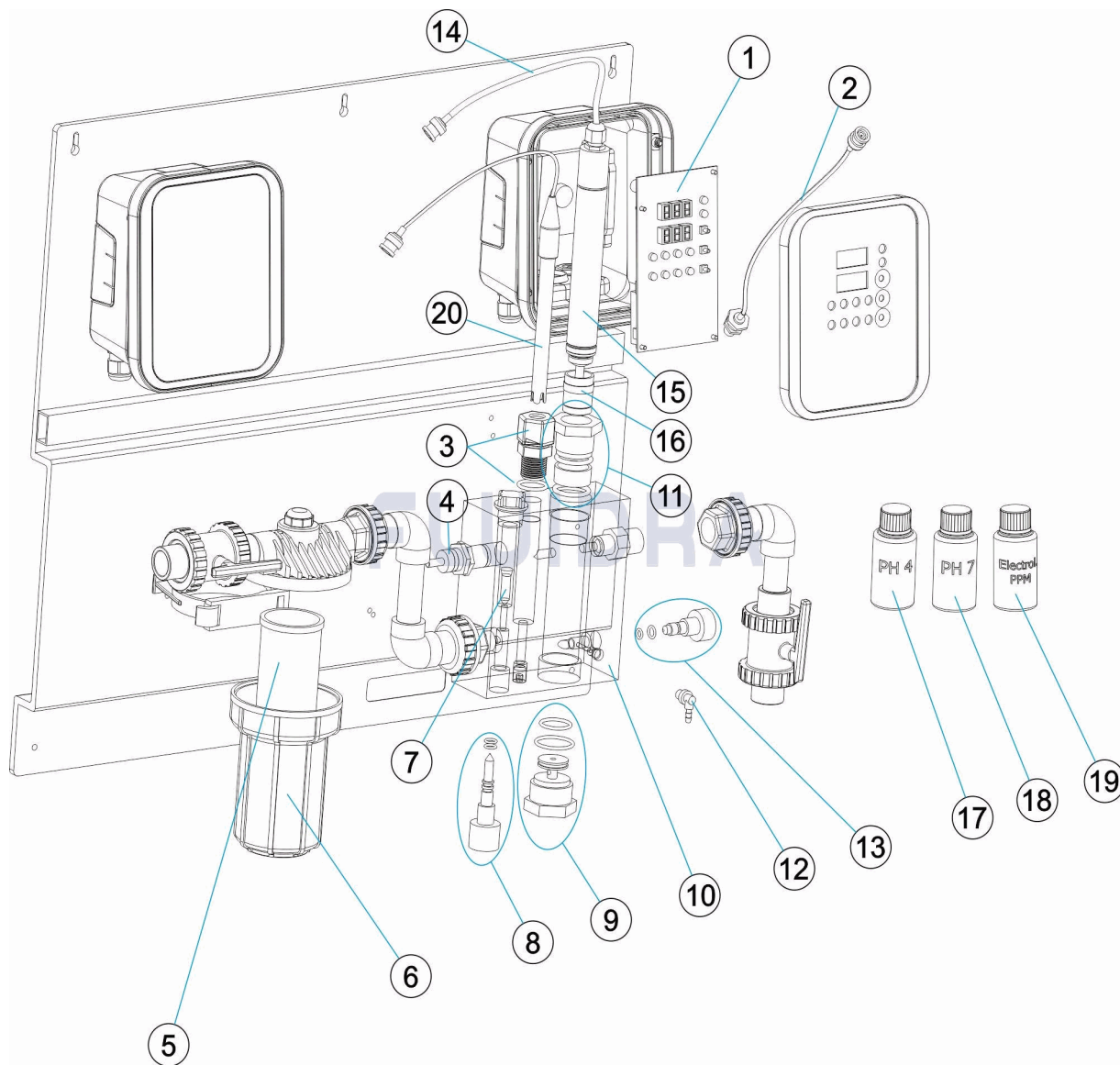
POS	CODE	DESCRIPTION	QUANTITY	POS	CODE	DESCRIPTION	QUANTITY
1	* 4408040152	ELECTRONIC CARD PPM		11	4408040161	ADAPTOR + O' RING	
1	* 4408040154	ELECTRONIC CARD PH		12	4408040158	SAMPLING DRAIN OUTLET	
2	4408070069	BNC CONNECTOR		13	4408040157	SAMPLING VALVE	
3	4408040604	ELECTRODE CARRIER PE 12M/M.-1/2"		14	4408040216	2 WIRE MALE BNC CABLE TO PPM PROBE	
4	4408041541	INDUCTIVE FLOW SENSOR		15	60645	FREE CHLORINE SENSOR	
5	4408041537	WASHABLE MAXIM CELL FILTER		16	60647	MEMBRANE CAP FOR FREE CHLORINE SEI	
6	4408041538	MAXIM CELL E/S 1/2"		17	60632	CALIBRATION SOLUTION PH 4,0 50 ML. (RE	
7	4408040159	FLOW DETECTOR FLOAT		18	60618	CALIBRATION SOLUTION PH 7,0 50 M/L. (Gf	
8	4408040156	CONTROL VALVE + O' RING		19	60646	ELECTROLITE	
9	4408040160	LOWER CAP AMPEROMETRIC PROBE		20	60648	ELECTRODE PH	
10	4408041540	SENSOR HOLDER PH + CL					

CODE **60361**DESCRIPTION: **AP PR-207 PH/CL2 PPM****OBSERVATIONS**

POS	CODE	OBSERVATIONS
1	* 4408040152	FOR: PPM
1	* 4408040154	FOR: PH

CODICE 60361

DESCRIZIONE: AP PR-207 PH/CL2 PPM



ITALIANO

POS	CODICE	DESCRIZIONE	QUANTITA'	POS	CODICE	DESCRIZIONE	QUANTITA'
1	* 4408040152	SCHEDA PPM		11	4408040161	RACCORDO + O-RING	
1	* 4408040154	SCHEDA PH		12	4408040158	USCITA SCARICO PRELIEVO CAMPIONI	
2	4408070069	CONNETTORE BNC		13	4408040157	VALVOLA PRELIEVO CAMPIONI	
3	4408040604	PORTAELETTODO PE 12M/M. X 1/2"		14	4408040216	CAVO BNC MASCHIO 2 FILI A SONDA PPM	
4	4408041541	SONDA DI FLUSSO INDUTTIVA		15	60645	SONDA DI CLORO LIBERO	
5	4408041537	FILTRO PORTA-SONDE LAVABILE		16	60647	TAPPO MEMBRANA PER SONDA CLORO LI	
6	4408041538	PORTA-SONDE E/S 1/2"		17	60632	SOLUZIONE TAMPONE PH 4,0 50 ML. (ROS)	
7	4408040159	GALLEGGIANTE RILEVATORE DI PORTATA		18	60618	SOLUZIONE TAMPONE PH 7,0 50 M/L. (VER)	
8	4408040156	VALVOLA DI REGOLAZIONE + O-RING		19	60646	ELETTROLITO	
9	4408040160	TAPPO INFERIORE SONDA AMPEROMETR		20	60648	ELETTRODO COMBINATO PH	
10	4408041540	PORTA-SONDE PH + CL					

CODICE **60361**

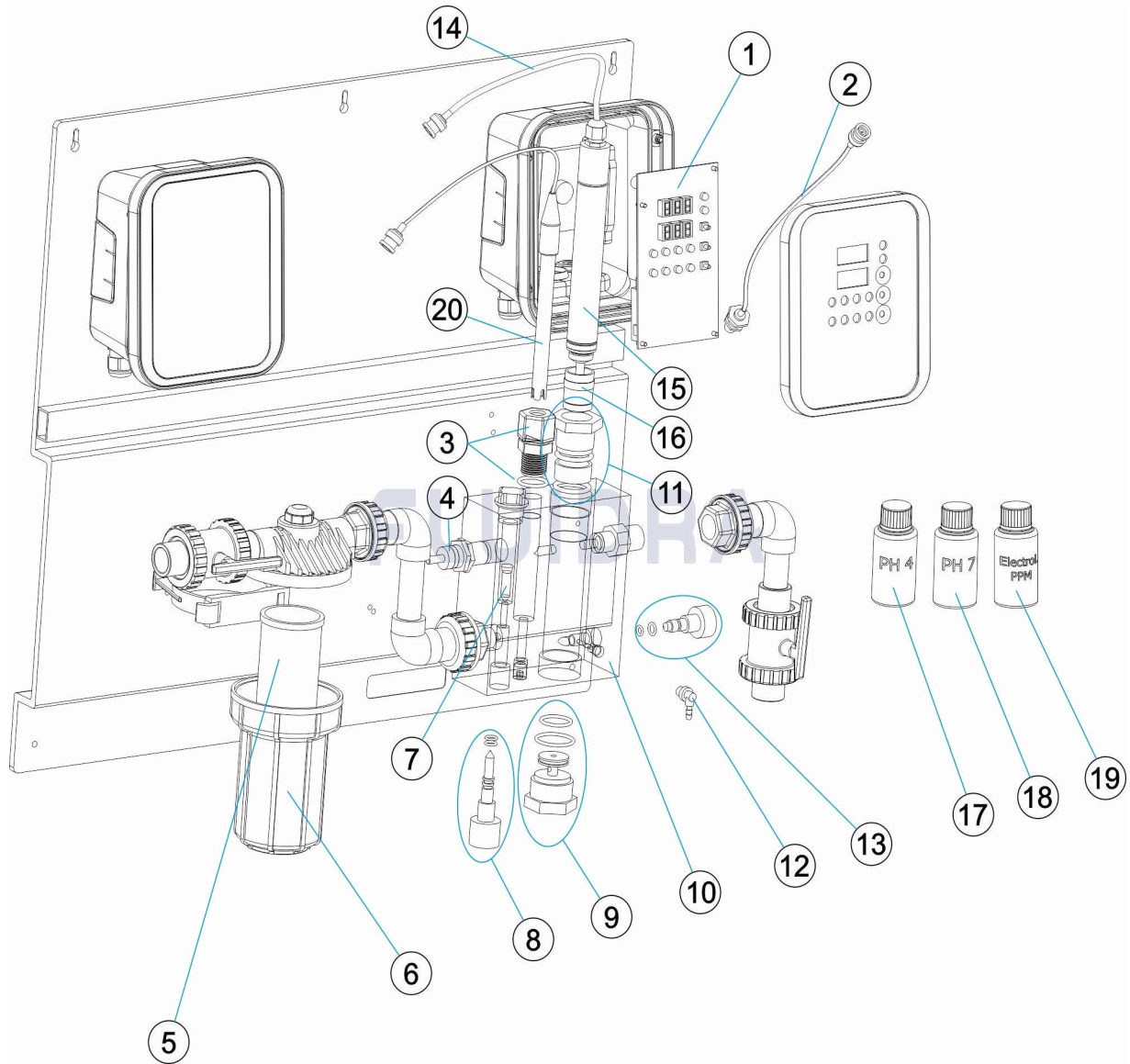
DESCRIZIONE: **AP PR-207 PH/CL2 PPM**

OSSERVAZIONI

POS	CODICE	OSSERVAZIONI
1	* 4408040152	PER: PPM
1	* 4408040154	PER: PH

CODE **60361**

BESCHREIBUNG: **AP PR-207 PH/CL2 PPM**



DEUTSCH

POS	CODE	BESCHREIBUNG	MENGE	POS	CODE	BESCHREIBUNG	MENGE
1	* 4408040152	PPM-KONTROLLPLATTE		11	4408040161	GEWINDESTÜCK + O-RING	
1	* 4408040154	PH-KONTROLLPLATTE		12	4408040158	ABLASS PROBEENTNAHME	
2	4408070069	STECKKUPPLUNG BNC		13	4408040157	VENTIL PROBEENTNAHME	
3	4408040604	ELEKTRODENSITZ PE 12 MM-1/2"		14	4408040216	KABEL BNC NIPPEL 2 FASEN ZU PPM-SONE	
4	4408041541	INDUKTIVER DURCHFLUSSMESSER		15	60645	FREICHLORMESSER	
5	4408041537	SONDENHALTERUNG FILTER WASCHBAR		16	60647	KOPFSTÜCK MEMBRAN FREICHLORMESSER	
6	4408041538	SONDENHALTERUNG E/S 1/2"		17	60632	PUFFER PH 4,0 50 ML (ROT)	
7	4408040159	SCHWIMMER DURCHFLUSSANZEIGE		18	60618	PUFFER PH 7,0 50 M/L (GRÜN)	
8	4408040156	DURCHFLUSSVENTIL + O-RING		19	60646	ELEKTROLYT ECC1/GEL SONDE CL	
9	4408040160	STOPFEN UNTEN AMPEREMETRISCHE SC		20	60648	ELEKTRODE KOMBINIERT PH	
10	4408041540	SONDENHALTERUNG PH + CL					

CODE **60361**

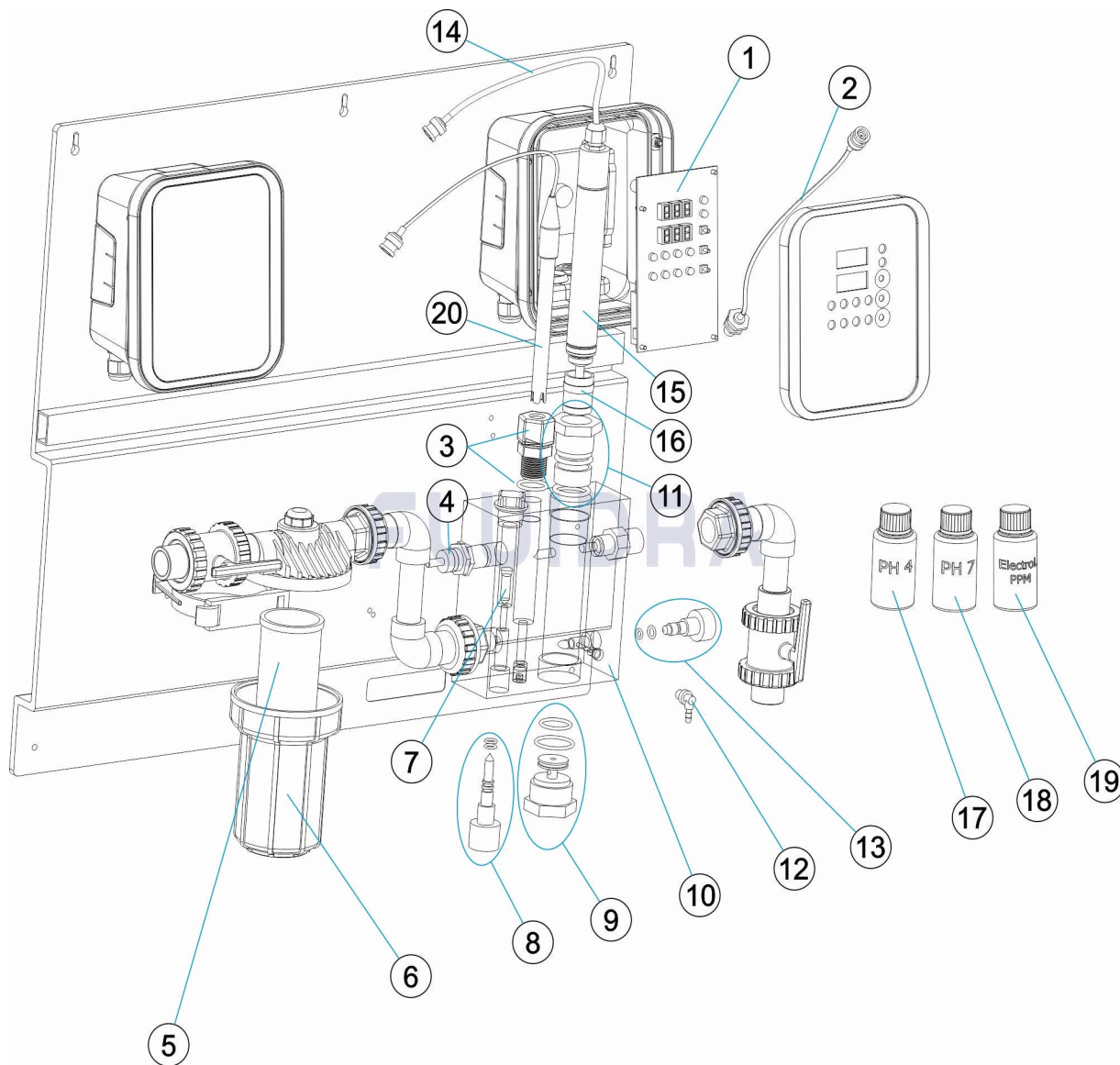
BESCHREIBUNG: **AP PR-207 PH/CL2 PPM**

HINWEISE

POS	CODE	HINWEISE
1	* 4408040152	FÜR: PPM
1	* 4408040154	FÜR: PH

CODIGO **60361**

DESCRIÇÃO: **AP PR-207 PH/CL2 PPM**



PORTUGUES

POS	CODIGO	DESCRIÇÃO	JANTIDADE	POS	CODIGO	DESCRIÇÃO	JANTIDADE
1	* 4408040152	PLACA CONTROLO PPM		11	4408040161	RACORD + JUNTA TÓRICA	
1	* 4408040154	PLACA CONTROLO PH		12	4408040158	SAÍDA DESCARGA RECOLHA AMOSTRAS	
2	4408070069	LIGAÇÃO BNC		13	4408040157	VÁLVULA RECOLHA AMOSTRAS	
3	4408040604	PORTAELECTRODOS PE 12MM-1/2"		14	4408040216	CABO BNC MACHO 2 FIOS A SONDA PPM	
4	4408041541	SONDA DE CAUDAL INDUTIVA		15	60645	SONDA DE CLORO LIVRE	
5	4408041537	FILTRO PORTA-SONDAS LAVÁVEL		16	60647	CÁPSULA MEMBRANA PARA SONDA CLOR	
6	4408041538	PORTA-SONDAS E/S 1/2"		17	60632	SOLUÇÃO TAMPÃO PH 4,0 50 ML. (VERMEL	
7	4408040159	BOIA DETETOR DE CAUDAL		18	60618	SOLUÇÃO TAMPÃO PH 7,0 50 M/L. (VERDE)	
8	4408040156	VÁLVULA CAUDAL + JUNTA TÓRICA		19	60646	ELECTROLITO	
9	4408040160	TAMPA INFERIOR SONDA AMPEROMÉTRIC		20	60648	ELECTRODO COMBINADO PH	
10	4408041540	PORTA-SONDAS PH + CL					

CODIGO 60361

DESCRIÇÃO: AP PR-207 PH/CL2 PPM

OBSERVAÇÕES

POS	CODIGO	OBSERVAÇÕES
1	* 4408040152	PARA: PPM
1	* 4408040154	PARA: PH