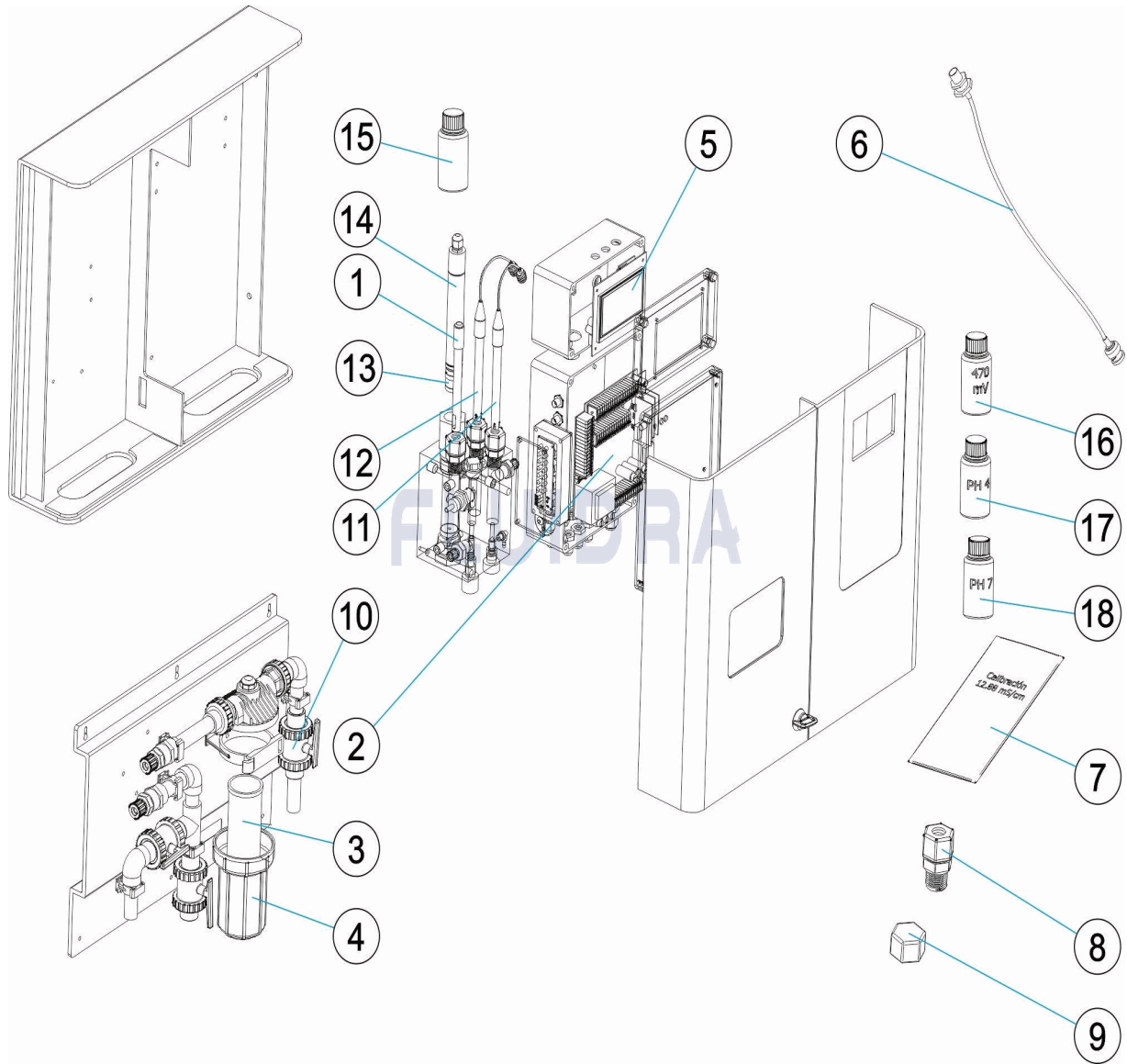


CODIGO **54523, 54524, 54525**

DESCRIPCION: **SMART CONTROL PH/ORP/CL2 PPM**



ESPAÑOL

POS	CODIGO	DESCRIPCION	CANTIDAD	POS	CODIGO	DESCRIPCION	CANTIDAD
1	4408040162	SONDA DE TEMPERATURA Y CONDUCTIVI		9	4408040067	TAPON SONDA PH/ORP PORTASONDA	
2	* 4408040165	PLACA CONTROL PR3 PH/ORP		10	4408040168	CUERPO VALVULA + SALIDAS	
2	* 4408040164	PLACA CONTROL PR3 PH/PPM		11	* 60649	ELECTRODO ORP	
2	* 4408040163	PLACA CONTROL PR3 PH/ORP/PPM		12	60648	ELECTRODO COMBINADO PH	
3	4408041537	FILTRO PORTASONDAS LAVABLE		13	* 60647	CABEZAL MEMBRANA SENSOR CLORO LIB	
4	4408041538	PORTASONDAS E/S 1/2"		14	* 60645	SENSOR CLORO LIBRE	
5	4408040166	PANTALLA DE CONTROL		15	* 60646	ELECTROLITO ECC1/GEL SONDA CL	
6	4408070069	CONECTOR BNC		16	* 60633	SOLUCION CALIBRACION 470MV.	
7	4408040167	SOLUCION CALIBRACION 12,88 MS/CM		17	60632	TAMPON PH 4,0 50 ML. (ROJO)	
8	4408040604	PORTAELECTRODOS PE 12M/M-1/2"		18	60618	TAMPON PH 7,0 50 M/L. (VERDE)	

CODIGO 54523, 54524, 54525

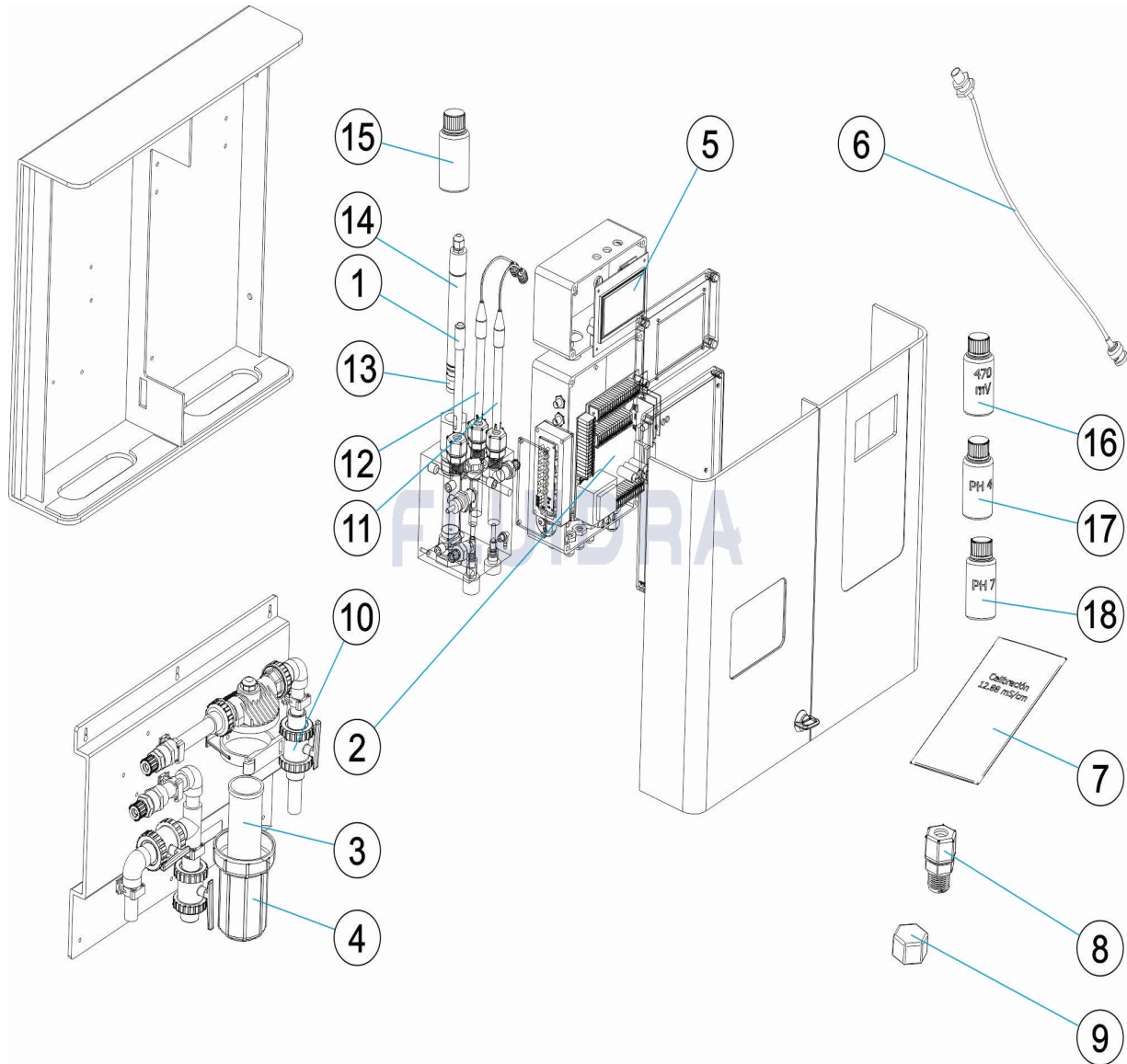
DESCRIPCION: SMART CONTROL PH/ORP/CL2 PPM

OBSERVACIONES

POS	CODIGO	OBSERVACIONES
2	* 4408040165	PARA: 54523
2	* 4408040164	PARA: 54524
2	* 4408040163	PARA: 54525
11	* 60649	PARA: 54523, 54525
13	* 60647	PARA: 54524, 54525
14	* 60645	PARA: 54524, 54525
15	* 60646	PARA: 54524, 54525
16	* 60633	PARA: 54523, 54525

CODE 54523, 54524, 54525

DESCRIPTION: SMART CONTROL PH/ORP/CL2 PPM



FRANCAIS

POS	CODE	DESCRIPTION	QUANTITE	POS	CODE	DESCRIPTION	QUANTITE
1	4408040162	SONDE DE TEMPÉRATURE ET CONDUCTIV		9	4408040067	BOUCHON M-25 H	
2	* 4408040165	PLAQUE CONTRÔLE PR3 PH/ORP		10	4408040168	CORPS VALVE + SORTIES	
2	* 4408040164	PLAQUE CONTRÔLE PR3 PH/PPM		11	* 60649	ELECTRODE ORP	
2	* 4408040163	PLAQUE CONTRÔLE PR3 PH/ORP/PPM		12	60648	ELECTRODE COMBINÉE PH	
3	4408041537	FILTRE PORTE-SONDES LAVABLE		13	* 60647	CAPSULE MEMBRANE POUR SONDE CHLC	
4	4408041538	PORTE-SONDES E/S 1/2"		14	* 60645	SONDE DE CHLORE LIBRE	
5	4408040166	ÉCRAN CONTRÔLE		15	* 60646	ELECTROLYTE	
6	4408070069	CONNECTEUR BNC		16	* 60633	SOLUTION CALIBRAGE 470 MV	
7	4408040167	SOLUTION CALIBRAGE 12,88 MS/CM		17	60632	TAMPON PH 4,0 50 ML. (ROUGE)	
8	4408040604	PORTE-ÉLECTRODE PE 12M/M. 1/2"		18	60618	TAMPON PH 7,0 50 M/L. (VERT)	

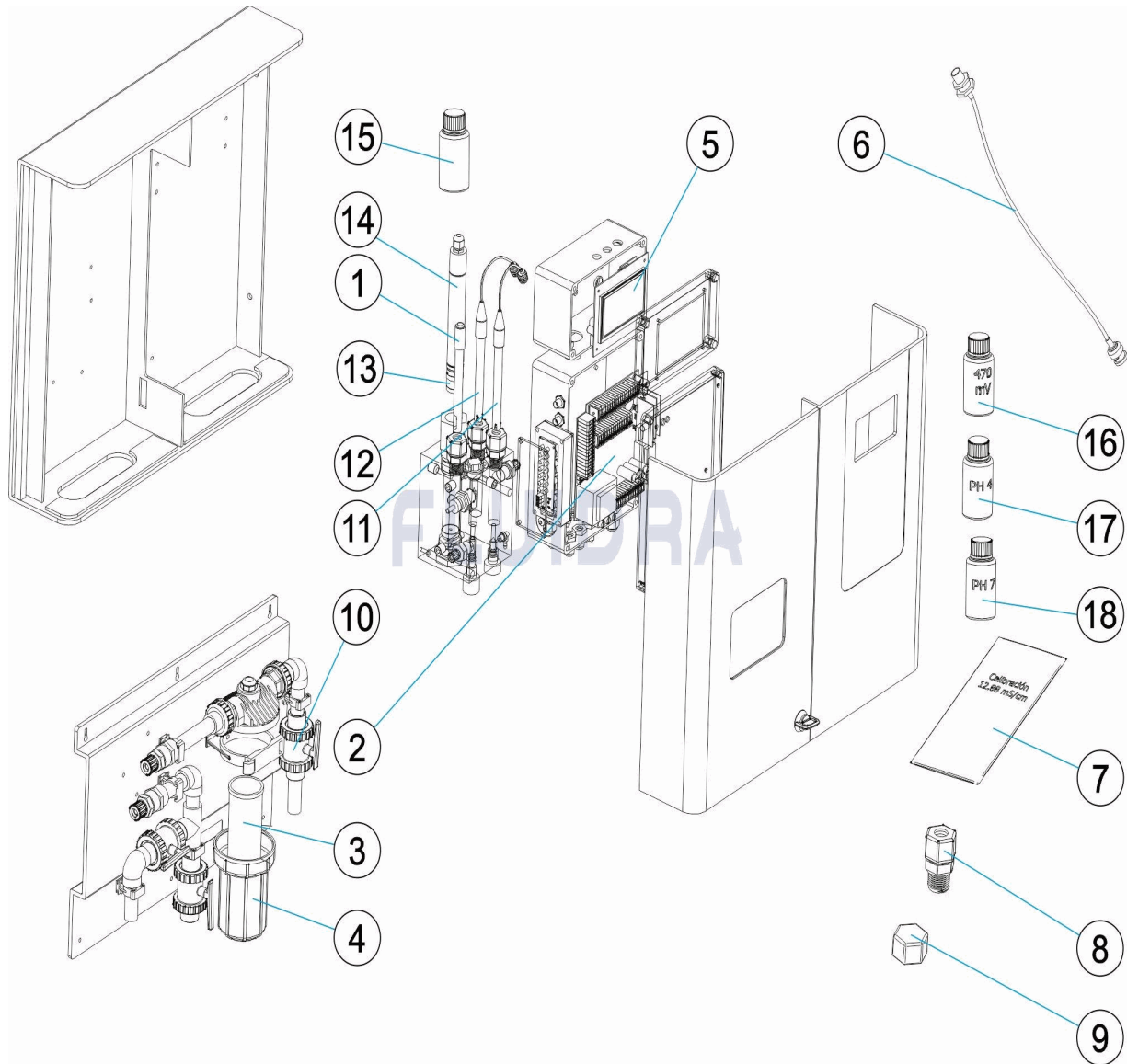
CODE **54523, 54524, 54525**

DESCRIPTION: **SMART CONTROL PH/ORP/CL2 PPM**

OBSERVATIONS

POS	CODE	OBSERVATIONS
2	* 4408040165	POUR: 54523
2	* 4408040164	POUR: 54524
2	* 4408040163	POUR: 54525
11	* 60649	POUR: 54523, 54525
13	* 60647	POUR: 54524, 54525
14	* 60645	POUR: 54524, 54525
15	* 60646	POUR: 54524, 54525
16	* 60633	POUR: 54523, 54525

CODE **54523, 54524, 54525**
DESCRIPTION: **SMART CONTROL PH/ORP/CL2 PPM**



ENGLISH

POS	CODE	DESCRIPTION	QUANTITY	POS	CODE	DESCRIPTION	QUANTITY
1	4408040162	TEMPERATURA AND CONDUCTIVITY PROE		9	4408040067	PLUG M-25 H	
2	* 4408040165	ELECTRONIC CARD PR3 PH/ORP		10	4408040168	VALVE SOCKET + OUTLETS	
2	* 4408040164	ELECTRONIC CARD PR3 PH/PPM		11	* 60649	ORP ELECTRODE	
2	* 4408040163	ELECTRONIC CARD PR3 PH/ORP/PPM		12	60648	ELECTRODE PH	
3	4408041537	WASHABLE MAXIM CELL FILTER		13	* 60647	MEMBRANE CAP FOR FREE CHLORINE SEI	
4	4408041538	MAXIM CELL E/S 1/2"		14	* 60645	FREE CHLORINE SENSOR	
5	4408040166	CONTROL SCREEN		15	* 60646	ELECTROLITE	
6	4408070069	BNC CONNECTOR		16	* 60633	CALIBRATION SOLUTION ORP 470 MV	
7	4408040167	CALIBRATION SOLUTION 12.88 MS/CM		17	60632	CALIBRATION SOLUTION PH 4,0 50 ML. (RE	
8	4408040604	ELECTRODE CARRIER PE 12M/M.-1/2"		18	60618	CALIBRATION SOLUTION PH 7,0 50 M/L. (GF	

CODE **54523, 54524, 54525**

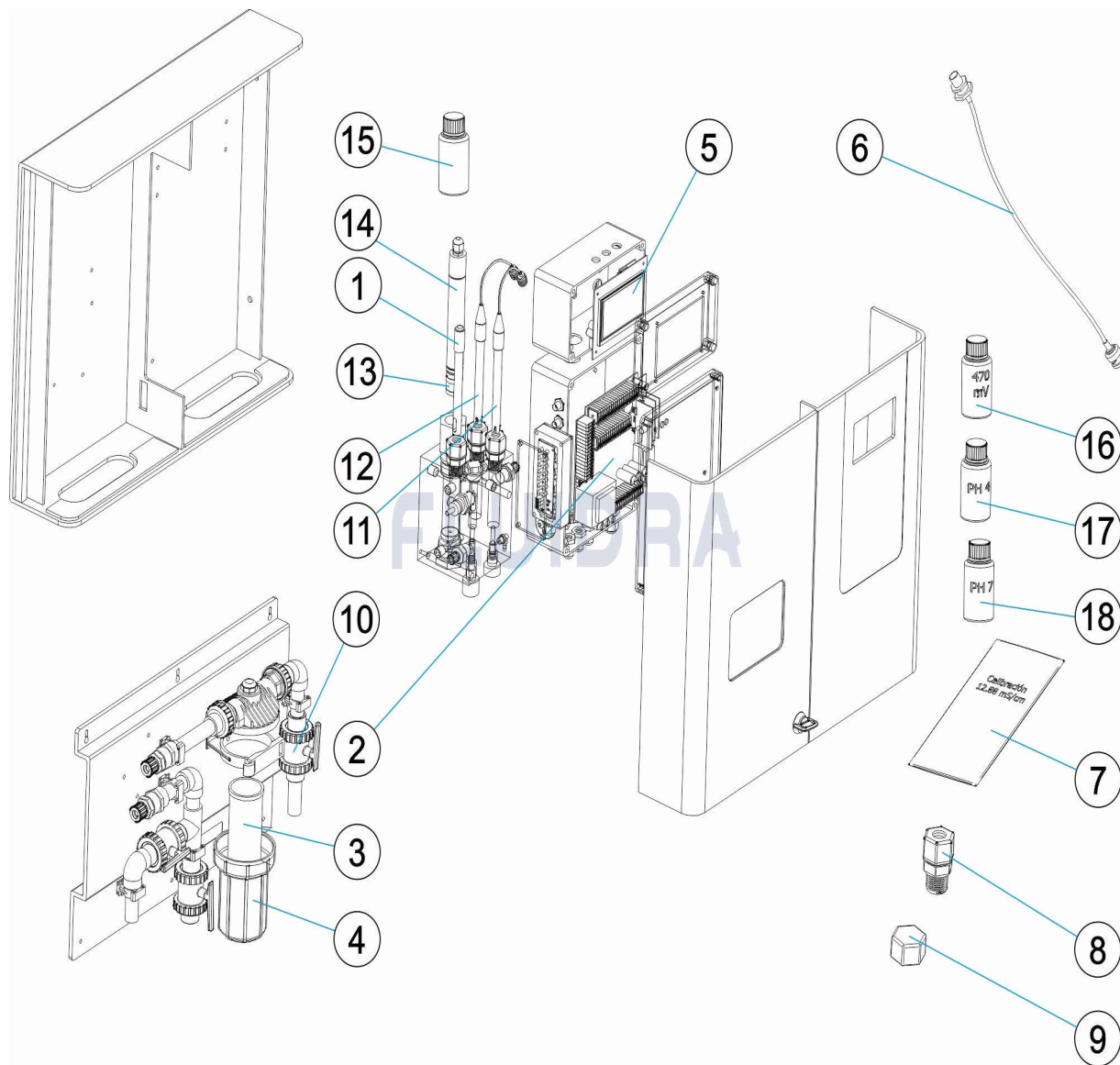
DESCRIPTION: **SMART CONTROL PH/ORP/CL2 PPM**

OBSERVATIONS

POS	CODE	OBSERVATIONS
2	* 4408040165	FOR: 54523
2	* 4408040164	FOR: 54524
2	* 4408040163	FOR: 54525
11	* 60649	FOR: 54523, 54525
13	* 60647	FOR: 54524, 54525
14	* 60645	FOR: 54524, 54525
15	* 60646	FOR: 54524, 54525
16	* 60633	FOR: 54523, 54525

CODICE 54523, 54524, 54525

DESCRIZIONE: SMART CONTROL PH/ORP/CL2 PPM



ITALIANO

POS	CODICE	DESCRIZIONE	QUANTITA'	POS	CODICE	DESCRIZIONE	QUANTITA'
1	4408040162	SONDA DI TEMPERATURA E CONDUCIBILITÀ		9	4408040067	TAPPO M-25 H	
2	* 4408040165	SCHEDA PR3 PH/ORP		10	4408040168	CORPO VALVOLA + USCITE	
2	* 4408040164	SCHEDA PR3 PH/PPM		11	* 60649	ELETTRODO RX	
2	* 4408040163	SCHEDA PR3 PH/ORP/PPM		12	60648	ELETTRODO COMBINATO PH	
3	4408041537	FILTRO PORTA-SONDE LAVABILE		13	* 60647	TAPPO MEMBRANA PER SONDA CLORO LI	
4	4408041538	PORTA-SONDE E/S 1/2"		14	* 60645	SONDA DI CLORO LIBERO	
5	4408040166	SCHERMO CONTROLLO		15	* 60646	ELETTROLITO	
6	4408070069	CONNETTORE BNC		16	* 60633	SOLUZIONE CALIBRAZIONE 470MV.	
7	4408040167	SOLUZIONE CALIBRAZIONE 12,88 MS/CM		17	60632	SOLUZIONE TAMPONE PH 4,0 50 ML. (ROS)	
8	4408040604	PORTAELETTODO PE 12M/M. X 1/2"		18	60618	SOLUZIONE TAMPONE PH 7,0 50 M/L. (VER)	

CODICE **54523, 54524, 54525**

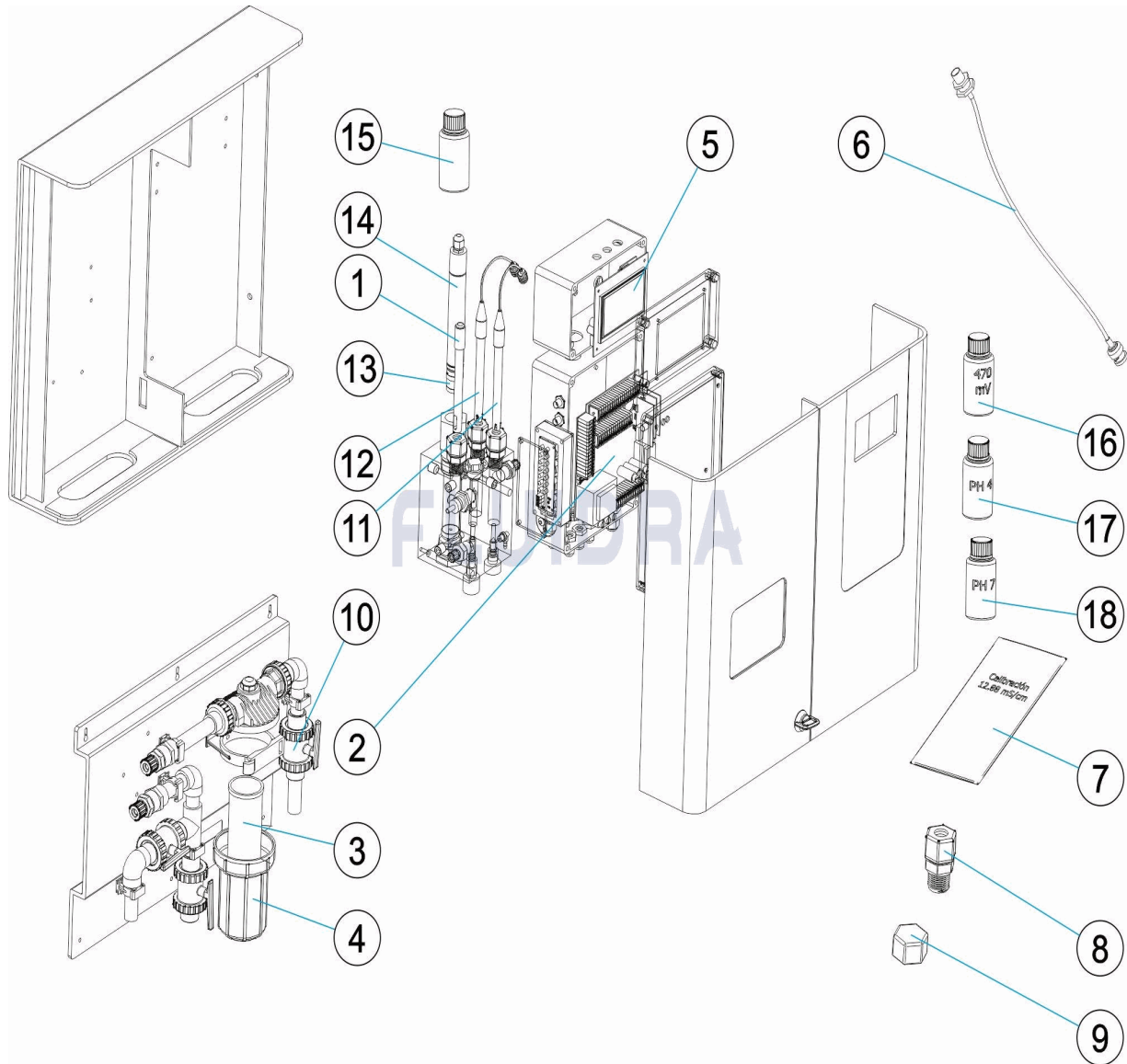
DESCRIZIONE: SMART CONTROL PH/ORP/CL2 PPM

OSSERVAZIONI

POS	CODICE	OSSERVAZIONI
2	* 4408040165	PER: 54523
2	* 4408040164	PER: 54524
2	* 4408040163	PER: 54525
11	* 60649	PER: 54523, 54525
13	* 60647	PER: 54524, 54525
14	* 60645	PER: 54524, 54525
15	* 60646	PER: 54524, 54525
16	* 60633	PER: 54523, 54525

CODE 54523, 54524, 54525

BESCHREIBUNG: SMART CONTROL PH/ORP/CL2 PPM



DEUTSCH

POS	CODE	BESCHREIBUNG	MENGE	POS	CODE	BESCHREIBUNG	MENGE
1	4408040162	TEMPERATUR UND LEITFÄHIGKEIT SONDI		9	4408040067	STOPFEN PH/OPR-SONDE SONDENHALTEI	
2	* 4408040165	STEUERPLATINE PR3 PH/ORP		10	4408040168	GEHÄUSE VENTIL + AUSGÄNGE	
2	* 4408040164	STEUERPLATINE PR3 PH/PPM		11	* 60649	ORP-ELEKTRODE	
2	* 4408040163	STEUERPLATINE PR3 PH/ORP/PPM		12	60648	ELEKTRODE KOMBINIERT PH	
3	4408041537	SONDENHALTERUNG FILTER WASCHBAR		13	* 60647	KOPFSTÜCK MEMBRAN FREICHLORMESSI	
4	4408041538	SONDENHALTERUNG E/S 1/2"		14	* 60645	FREICHLORMESSER	
5	4408040166	KONTROLLBILDSCHIRM		15	* 60646	ELEKTROLYT ECC1/GEL SONDE CL	
6	4408070069	STECKKUPPLUNG BNC		16	* 60633	KALIBRIERLÖSUNG 47 0MV	
7	4408040167	KALIBRIERLÖSUNG 12,88 MS/CM		17	60632	PUFFER PH 4,0 50 ML (ROT)	
8	4408040604	ELEKTRODENSITZ PE 12 MM-1/2"		18	60618	PUFFER PH 7,0 50 M/L (GRÜN)	

CODE **54523, 54524, 54525**

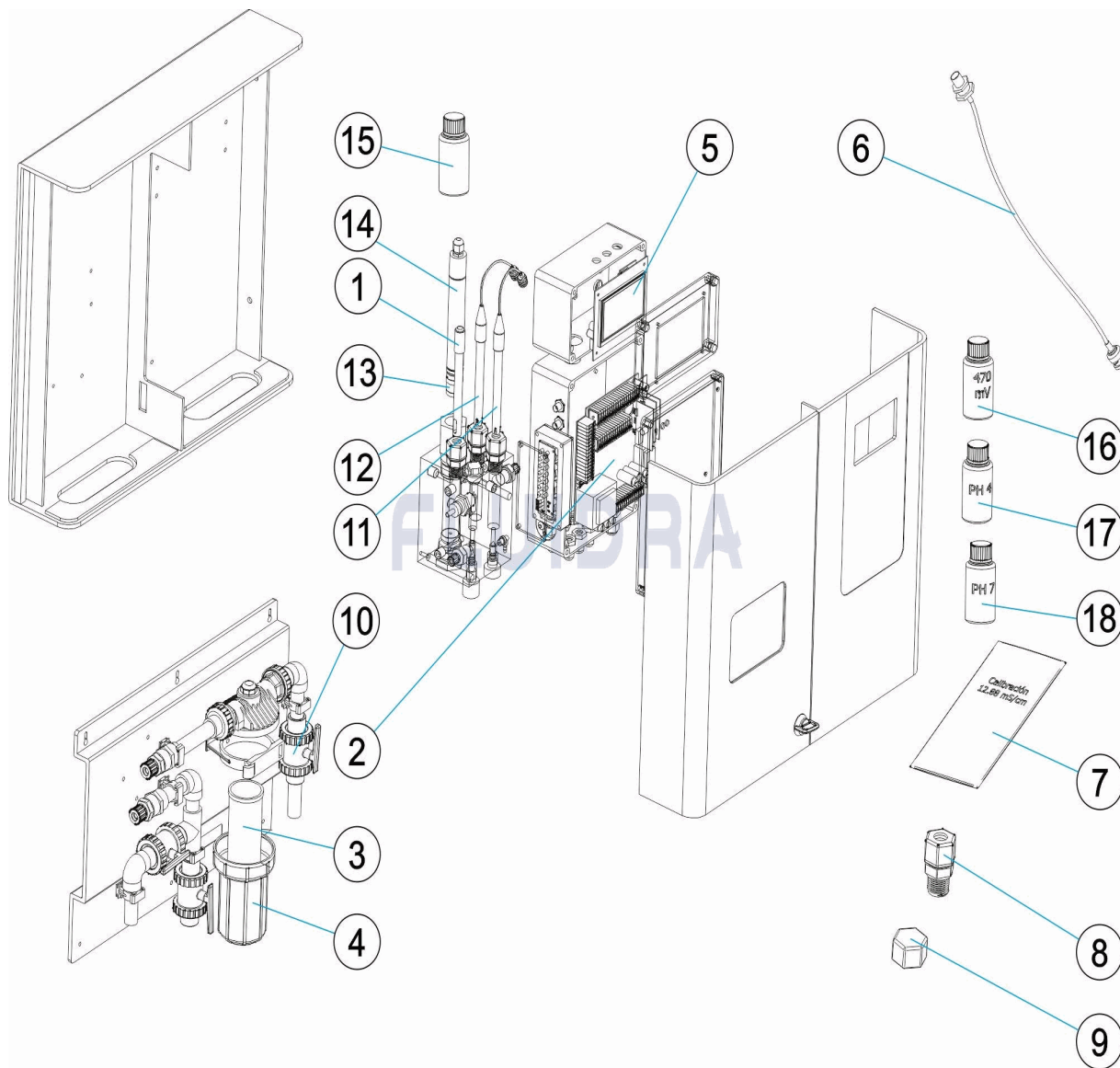
BESCHREIBUNG: **SMART CONTROL PH/ORP/CL2 PPM**

HINWEISE

POS	CODE	HINWEISE
2	* 4408040165	FÜR: 54523
2	* 4408040164	FÜR: 54524
2	* 4408040163	FÜR: 54525
11	* 60649	FÜR: 54523, 54525
13	* 60647	FÜR: 54524, 54525
14	* 60645	FÜR: 54524, 54525
15	* 60646	FÜR: 54524, 54525
16	* 60633	FÜR: 54523, 54525

CODIGO **54523, 54524, 54525**

DESCRIÇÃO: **SMART CONTROL PH/ORP/CL2 PPM**



PORTUGUES

POS	CODIGO	DESCRIÇÃO	JANTIDADE	POS	CODIGO	DESCRIÇÃO	JANTIDADE
1	4408040162	SONDA DE TEMPERATURA E CONDUCTIVI		9	4408040067	TAMPÃO M-25 H	
2	* 4408040165	PLACA CONTROLO PR3 PH/ORP		10	4408040168	CORPO VÁLVULA + SAÍDAS	
2	* 4408040164	PLACA CONTROLO PR3 PH/PPM		11	* 60649	ELECTRODO ORP	
2	* 4408040163	PLACA CONTROLO PR3 PH/ORP/PPM		12	60648	ELECTRODO COMBINADO PH	
3	4408041537	FILTRO PORTA-SONDAS LAVÁVEL		13	* 60647	CÁPSULA MEMBRANA PARA SONDA CLOR	
4	4408041538	PORTA-SONDAS E/S 1/2"		14	* 60645	SONDA DE CLORO LIVRE	
5	4408040166	ECRÃ CONTROLO		15	* 60646	ELECTROLITO	
6	4408070069	LIGAÇÃO BNC		16	* 60633	SOLUÇÃO TAMPÃO 470 MV	
7	4408040167	SOLUÇÃO TAMPÃO 12,88 MS/CM		17	60632	SOLUÇÃO TAMPÃO PH 4,0 50 ML. (VERMEL	
8	4408040604	PORTAELECTRODOS PE 12M/M-1/2"		18	60618	SOLUÇÃO TAMPÃO PH 7,0 50 M/L. (VERDE)	

CODIGO **54523, 54524, 54525**

DESCRIÇÃO: SMART CONTROL PH/ORP/CL2 PPM

OBSERVAÇÕES

POS	CODIGO	OBSERVAÇÕES
2	* 4408040165	PARA: 54523
2	* 4408040164	PARA: 54524
2	* 4408040163	PARA: 54525
11	* 60649	PARA: 54523, 54525
13	* 60647	PARA: 54524, 54525
14	* 60645	PARA: 54524, 54525
15	* 60646	PARA: 54524, 54525
16	* 60633	PARA: 54523, 54525