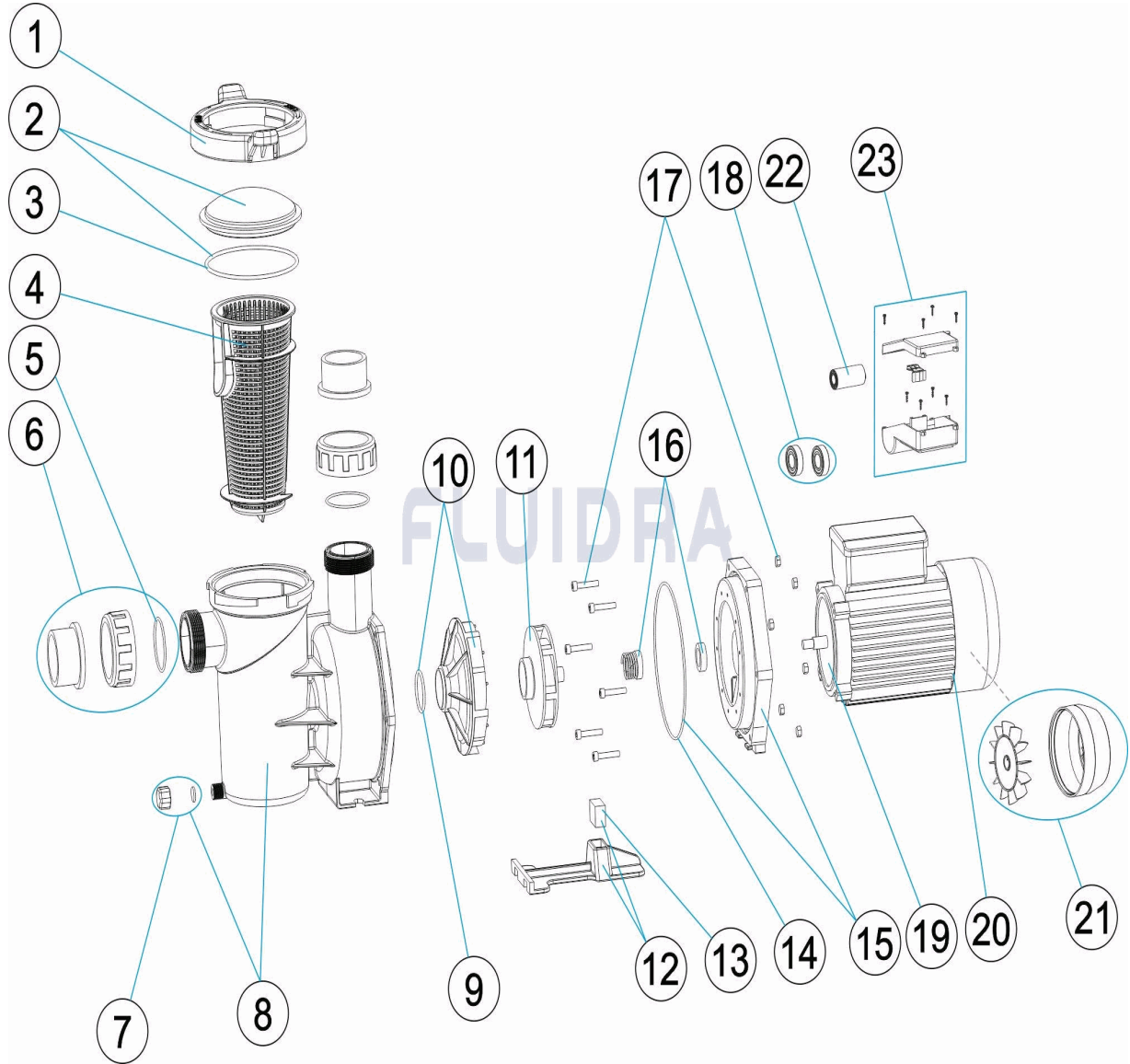


CODIGO **69383, 69384, 69385, 69386, 69387**

DESCRIPCION: **BOMBA ALASKA BASIC**



ESPAÑOL

POS	CODIGO	DESCRIPCION	CANTIDAD	POS	CODIGO	DESCRIPCION	CANTIDAD
1	4405010694	TUERCA TAPA PREFILTRO		12	* 4405010707	PIE BOMBA	
2	4405010695	TAPA PREFILTRO		12	* 4405010708	PIE BOMBA	
3	4405010696	JUNTA TORICA TAPA PREFILTRO		13	* 4405010709	SILENTBLOCK	
4	4405011201	CESTO BACAP		13	* 4405010710	SILENTBLOCK	
5	4405010089	JUNTA TORICA		14	4405010711	JUNTA TORICA	
6	4405010086	ACCESORIOS ENLACE D. 50		15	* 4405010712	BRIDA SELLO MECÁNICO	
7	4405010697	TAPON PURGA		15	* 4405010713	BRIDA SELLO MECÁNICO	
8	4405010698	CUERPO BOMBA		16	4405010714	JUNTA MECÁNICA	
9	4405010699	JUNTA TORICA DIFUSOR		17	4405010715	TORNILLOS FIJACION CUERPO	
10	4405010700	DIFUSOR		18	* 4405010864	RODAMIENTO 0,33-0,75HP	
11	* 4405010701	RODETE 1/3 CV II 50 HZ		18	* 4405010865	RODAMIENTO 1-1,25 HP	
11	* 4405010703	RODETE ½ CV II 50 HZ		19	* 4405010872	TAPA DELANTERA MOTOR 0,33-0,50 HP	
11	* 4405010704	RODETE ¾ CV II 50 HZ		19	* 4405010870	TAPA DELANTERA MOTOR 0.75-1.25 HP	

*** NOTA OBSERVACIONES**

CODIGO **69383, 69384, 69385, 69386, 69387**

DESCRIPCION: **BOMBA ALASKA BASIC**

11	* 4405010705	RODETE 1 CV II 50 HZ	20	* 4405010867	TAPA TRASERA MOTOR 0,33-0,50 HP
11	* 4405010706	RODETE 1 ¼ CV II 50 HZ	20	* 4405010868	TAPA TRASERA MOTOR 0.75-1.25 HP
21	* 4405010852	CJTO. TAPA VENTILADOR	22	* 4405011211	CONDENSADOR 20 UF (¼ - 1 HP LL)
21	* 4405010853	CJTO. TAPA VENTILADOR	23	* 4405010849	CAJA DE CONEXIONES
22	* 4405010799	CONDENSADOR 10 UF	23	* 4405010850	CAJA DE CONEXIONES
22	* 4405011210	CONDENSADOR 12 UF (½ HP)			

CODIGO 69383, 69384, 69385, 69386, 69387

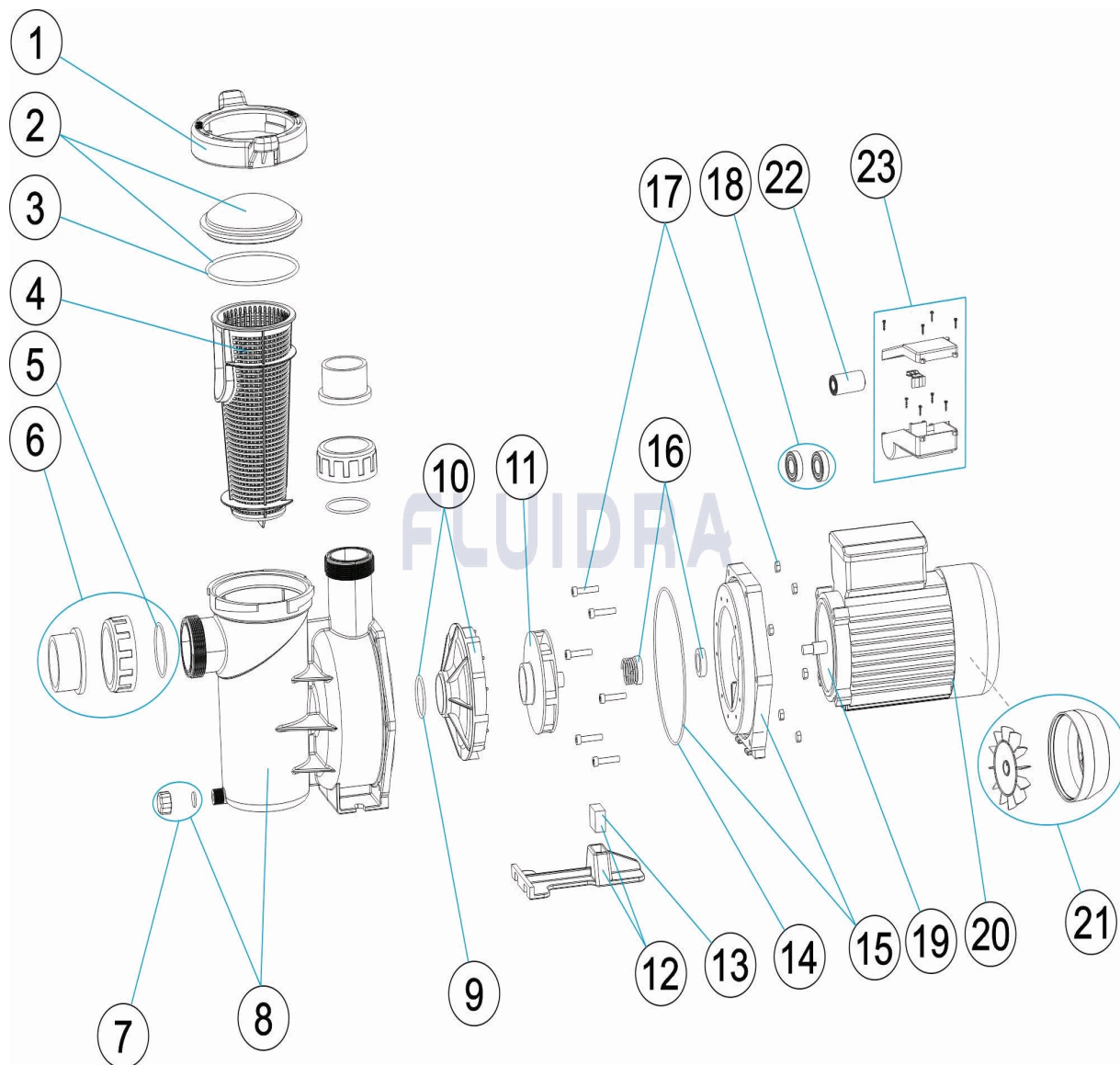
DESCRIPCION: BOMBA ALASKA BASIC

OBSERVACIONES

POS	CODIGO	OBSERVACIONES
11	* 4405010701	PARA: 69383
11	* 4405010703	PARA: 69384
11	* 4405010704	PARA: 69385
11	* 4405010705	PARA: 69386
11	* 4405010706	PARA: 69387
12	* 4405010707	PARA: 69383, 69384, 69385
12	* 4405010708	PARA: 69386, 69387
13	* 4405010709	PARA: 69383, 69384, 69385
13	* 4405010710	PARA: 69386, 69387
15	* 4405010712	PARA: 69383, 69384, 69385
15	* 4405010713	PARA: 69386, 69387
18	* 4405010864	PARA: 69383, 69384, 69385
18	* 4405010865	PARA: 69386, 69387
19	* 4405010872	PARA: 69383, 69384, 69385
19	* 4405010870	PARA: 69386, 69387
20	* 4405010867	PARA: 69383, 69384, 69385
20	* 4405010868	PARA: 69386, 69387
21	* 4405010852	PARA: 69383, 69384, 69385
21	* 4405010853	PARA: 69386, 69387
22	* 4405010799	PARA: 69383
22	* 4405011210	PARA: 69384
22	* 4405011211	PARA: 69385, 69386, 69387
23	* 4405010849	PARA: 69383, 69384, 69385
23	* 4405010850	PARA: 69386, 69387

CODE 69383, 69384, 69385, 69386, 69387

DESCRIPTION: POMPE ALASKA BASIC



FRANCAIS

POS	CODE	DESCRIPTION	QUANTITE	POS	CODE	DESCRIPTION	QUANTITE
1	4405010694	ECROU COUVERCLE PREFILTRE		12	* 4405010707	SOCLE POMPE	
2	4405010695	COUVERCLE PRÉFILTRE		12	* 4405010708	SOCLE POMPE	
3	4405010696	JOINT TORIQUE COUVERCLE PRÉFILTRE		13	* 4405010709	SILENT-BLOCK	
4	4405011201	PANIER BACAP		13	* 4405010710	SILENT-BLOCK	
5	4405010089	JOINT TORIQUE		14	4405010711	JOINT TORIQUE	
6	4405010086	RACCORDS UNION D 50		15	* 4405010712	FLASQUE PORTE GRANITURE	
7	4405010697	BOUCHON DE PURGUE		15	* 4405010713	FLASQUE PORTE GRANITURE	
8	4405010698	CORPS POMPE		16	4405010714	GARNITURE MÉCANIQUE	
9	4405010699	JOINT TORIQUE DIFFUSEUR		17	4405010715	VIS FIXATION CORPS	
10	4405010700	DIFFUSEUR		18	* 4405010864	ROULEMENT 0,33-0,75HP	
11	* 4405010701	TURBINE 1/3 CV II 50 HZ		18	* 4405010865	ROULEMENT 1-1,25 HP	
11	* 4405010703	TURBINE ½ CV II 50 HZ		19	* 4405010872	COUVERCLE AXE MOTEUR 0,33-0,50 HP	
11	* 4405010704	TURBINE ¾ CV II 50 HZ		19	* 4405010870	COUVERCLE AXE MOTEUR 0.75-1.25 HP	

* VOIR FICHE D'OBSERVATIONS

CODE **69383, 69384, 69385, 69386, 69387**

DESCRIPTION: **POMPE ALASKA BASIC**

11	* 4405010705	TURBINE 1 CV II 50 HZ	20	* 4405010867	COUVERCLE ARRIÈRE MOTEUR 0,33-0,50 †
11	* 4405010706	TURBINE 1 ¼ CV II 50 HZ	20	* 4405010868	COUVERCLE ARRIÈRE MOTEUR 0.75-1.25 †
21	* 4405010852	CAPOT VENTILATEUR + VENTILATEUR	22	* 4405011211	CONDENSATEUR 20 UF (3/4 - 1 HP LL)
21	* 4405010853	CAPOT VENTILATEUR + VENTILATEUR	23	* 4405010849	BOITIER CONNEXION
22	* 4405010799	CONDENSATEUR 10 UF	23	* 4405010850	BOITIER CONNEXION
22	* 4405011210	CONDENSATEUR 12 UF (1/2 HP)			

CODE **69383, 69384, 69385, 69386, 69387**

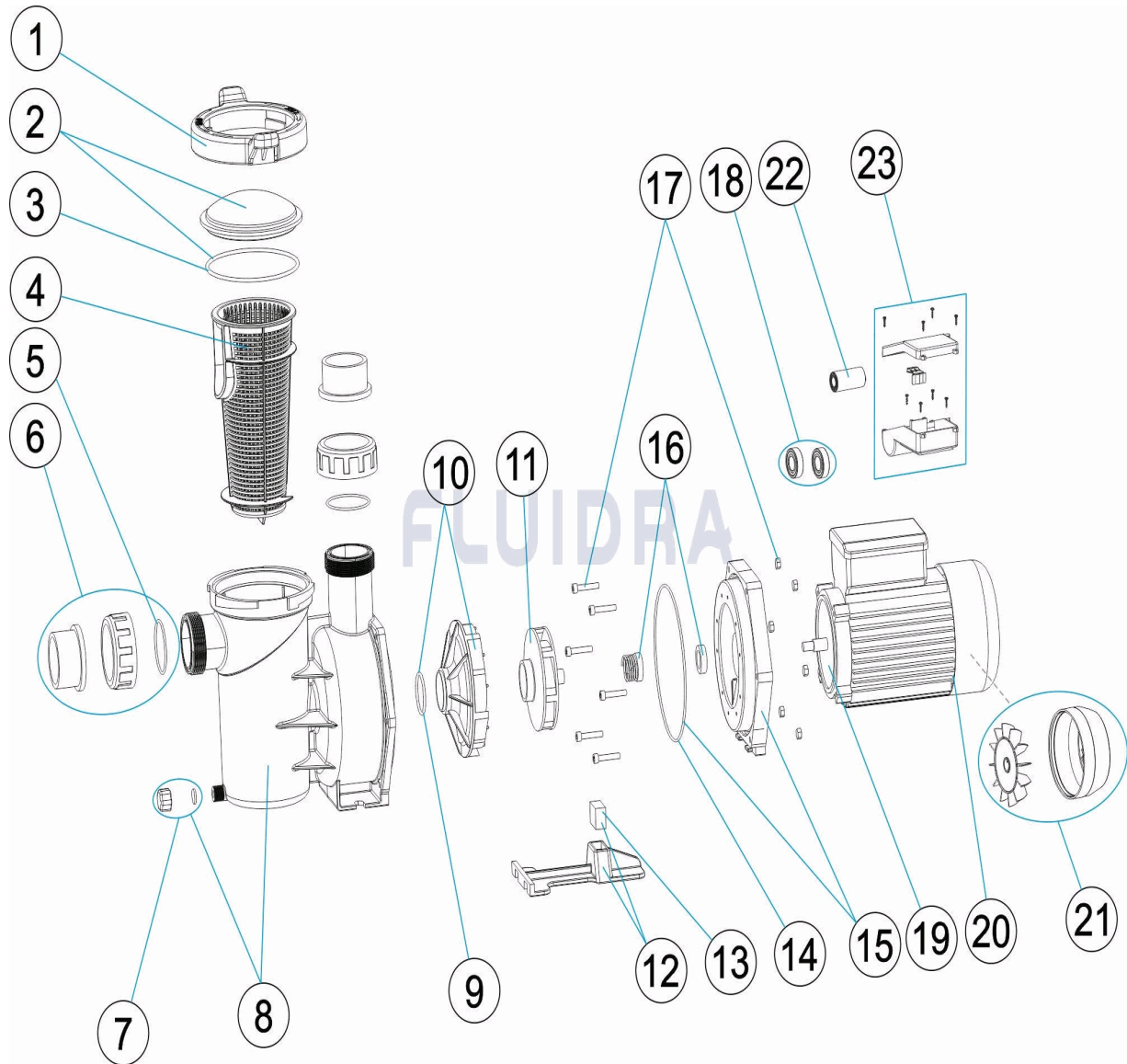
DESCRIPTION: **POMPE ALASKA BASIC**

OBSERVATIONS

POS	CODE	OBSERVATIONS
11	* 4405010701	POUR: 69383
11	* 4405010703	POUR: 69384
11	* 4405010704	POUR: 69385
11	* 4405010705	POUR: 69386
11	* 4405010706	POUR: 69387
12	* 4405010707	POUR: 69383, 69384, 69385
12	* 4405010708	POUR: 69386, 69387
13	* 4405010709	POUR: 69383, 69384, 69385
13	* 4405010710	POUR: 69386, 69387
15	* 4405010712	POUR: 69383, 69384, 69385
15	* 4405010713	POUR: 69386, 69387
18	* 4405010864	POUR: 69383, 69384, 69385
18	* 4405010865	POUR: 69386, 69387
19	* 4405010872	POUR: 69383, 69384, 69385
19	* 4405010870	POUR: 69386, 69387
20	* 4405010867	POUR: 69383, 69384, 69385
20	* 4405010868	POUR: 69386, 69387
21	* 4405010852	POUR: 69383, 69384, 69385
21	* 4405010853	POUR: 69386, 69387
22	* 4405010799	POUR: 69383
22	* 4405011210	POUR: 69384
22	* 4405011211	POUR: 69385, 69386, 69387
23	* 4405010849	POUR: 69383, 69384, 69385
23	* 4405010850	POUR: 69386, 69387

CODE **69383, 69384, 69385, 69386, 69387**

DESCRIPTION: **ALASKA BASIC PUMP**



ENGLISH

POS	CODE	DESCRIPTION	QUANTITY	POS	CODE	DESCRIPTION	QUANTITY
1	4405010694	PRE-FILTER COVER NUT		12	* 4405010707	PUMP BASE	
2	4405010695	PRE-FILTER COVER		12	* 4405010708	PUMP BASE	
3	4405010696	PRE-FILTER COVER O' RING		13	* 4405010709	SILENTBLOCK	
4	4405011201	BACAP BASKET		13	* 4405010710	SILENTBLOCK	
5	4405010089	O' RING		14	4405010711	O' RING	
6	4405010086	UNION FITTINGS D 50		15	* 4405010712	MECHANICAL SEAL PLATE	
7	4405010697	DRAIN PLUG		15	* 4405010713	MECHANICAL SEAL PLATE	
8	4405010698	PUMP HOUSING		16	4405010714	MECHANICAL SEAL	
9	4405010699	DIFFUSEUR O' RING		17	4405010715	BODY FIXING SCREW	
10	4405010700	DIFFUSEUR		18	* 4405010864	0,33-0,75HP BEARING	
11	* 4405010701	IMPELLER 1/3 CV II 50 HZ		18	* 4405010865	1-1,25 HP BEARING	
11	* 4405010703	IMPELLER 1/2 CV II 50 HZ		19	* 4405010872	FRONT MOTOR COVER 0,33-0,50 HP	
11	* 4405010704	IMPELLER 3/4 CV II 50 HZ		19	* 4405010870	FRONT MOTOR COVER 0.75-1.25 HP	

*** SEE OBSERVATIONS SHEET**

CODE **69383, 69384, 69385, 69386, 69387**

DESCRIPTION: **ALASKA BASIC PUMP**

11	* 4405010705	IMPELLER 1 CV II 50 HZ	20	* 4405010867	REAR MOTOR COVER 0,33-0,50 HP
11	* 4405010706	IMPELLER 1 ¼ CV II 50 HZ	20	* 4405010868	REAR MOTOR COVER 0.75-1.25 HP
21	* 4405010852	FAN COVER + FAN	22	* 4405011211	CONDENSER 20 UF (3/4 - 1 HP LL)
21	* 4405010853	FAN COVER + FAN	23	* 4405010849	CONNECTION BOX
22	* 4405010799	CONDENSER 10 UF	23	* 4405010850	CONNECTION BOX
22	* 4405011210	CONDENSER 12 UF (1/2 HP)			

CODE **69383, 69384, 69385, 69386, 69387**

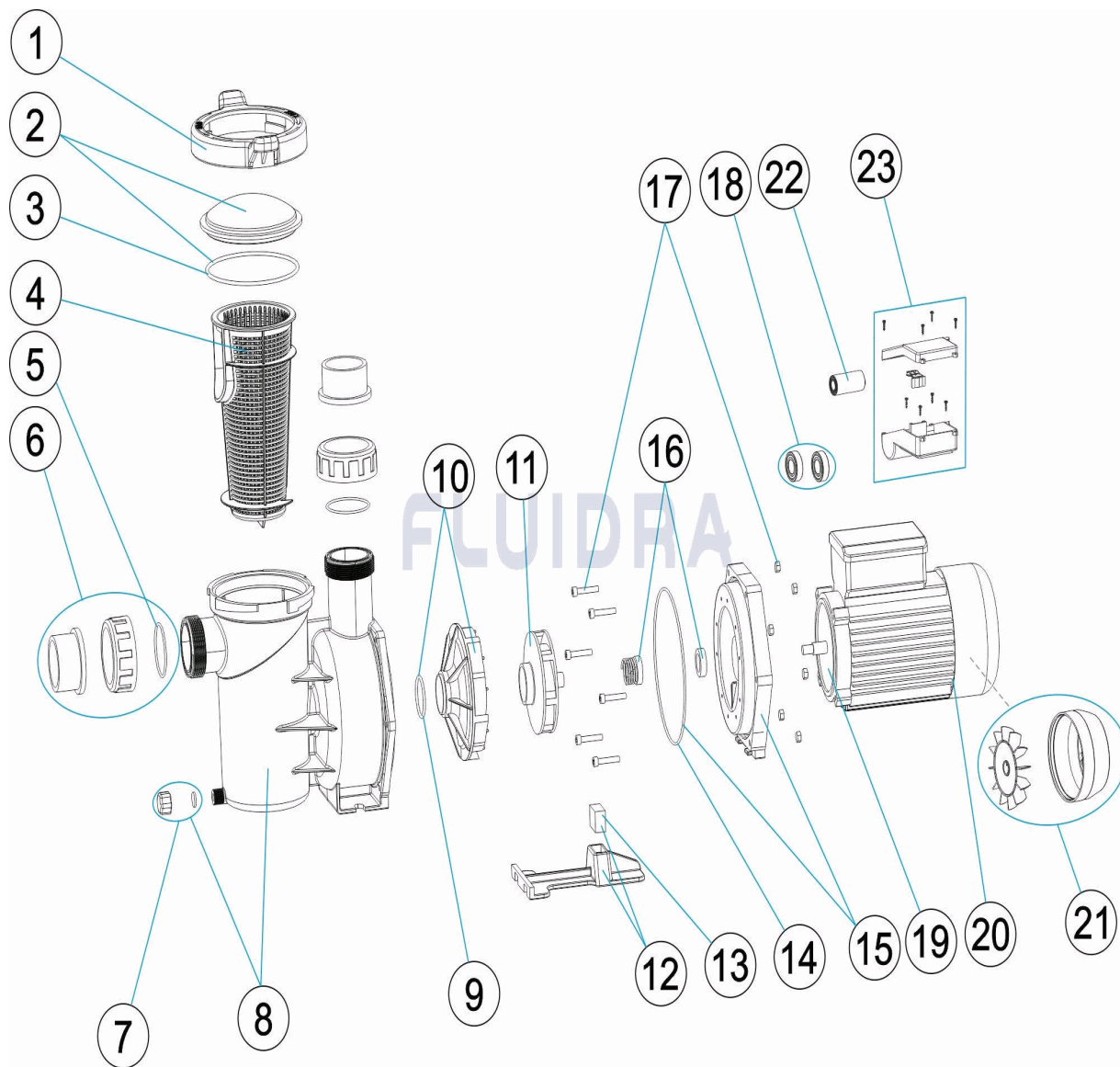
DESCRIPTION: **ALASKA BASIC PUMP**

OBSERVATIONS

POS	CODE	OBSERVATIONS
11	* 4405010701	FOR: 69383
11	* 4405010703	FOR: 69384
11	* 4405010704	FOR: 69385
11	* 4405010705	FOR: 69386
11	* 4405010706	FOR: 69387
12	* 4405010707	FOR: 69383, 69384, 69385
12	* 4405010708	FOR: 69386, 69387
13	* 4405010709	FOR: 69383, 69384, 69385
13	* 4405010710	FOR: 69386, 69387
15	* 4405010712	FOR: 69383, 69384, 69385
15	* 4405010713	FOR: 69386, 69387
18	* 4405010864	FOR: 69383, 69384, 69385
18	* 4405010865	FOR: 69386, 69387
19	* 4405010872	FOR: 69383, 69384, 69385
19	* 4405010870	FOR: 69386, 69387
20	* 4405010867	FOR: 69383, 69384, 69385
20	* 4405010868	FOR: 69386, 69387
21	* 4405010852	FOR: 69383, 69384, 69385
21	* 4405010853	FOR: 69386, 69387
22	* 4405010799	FOR: 69383
22	* 4405011210	FOR: 69384
22	* 4405011211	FOR: 69385, 69386, 69387
23	* 4405010849	FOR: 69383, 69384, 69385
23	* 4405010850	FOR: 69386, 69387

CODICE 69383, 69384, 69385, 69386, 69387

DESCRIZIONE: POMPA ALASKA BASIC



ITALIANO

POS	CODICE	DESCRIZIONE	QUANTITA'	POS	CODICE	DESCRIZIONE	QUANTITA'
1	4405010694	VITE COPERCHIO PREFILTRO		12	* 4405010707	BASAMENTO POMPA	
2	4405010695	COPERCHIO PREFILTRO		12	* 4405010708	BASAMENTO POMPA	
3	4405010696	O-RING D COPERCHIO PREFILTRO		13	* 4405010709	SILENTBLOC	
4	4405011201	CESTO BACAP		13	* 4405010710	SILENTBLOC	
5	4405010089	O-RING		14	4405010711	O-RING	
6	4405010086	MANICOTTI DI UNIONE D 50		15	* 4405010712	FLANGIA TENUTA MECCANICA	
7	4405010697	TAPPO SCARICO		15	* 4405010713	FLANGIA TENUTA MECCANICA	
8	4405010698	CORPO POMBA		16	4405010714	GUARNIZIONE MECCANICA	
9	4405010699	O-RING DIFFUSORE		17	4405010715	VITE FISSAGGIO CORPO	
10	4405010700	DIFFUSORE		18	* 4405010864	CUSCINETTO 0,33-0,75HP	
11	* 4405010701	RUOTA 1/3 CV II 50 HZ		18	* 4405010865	CUSCINETTO 1-1,25 HP	
11	* 4405010703	RUOTA 1/2 CV II 50 HZ		19	* 4405010872	COPERCHIO ANTERIORE MOTORE 0,33-0,5	
11	* 4405010704	RUOTA 3/4 CV II 50 HZ		19	* 4405010870	COPERCHIO ANTERIORE MOTORE 0.75-1.2	

* SI FACCIA RIFERIMENTO AL FOGLIO DELLE OSSERVAZIONI

CODICE **69383, 69384, 69385, 69386, 69387**

DESCRIZIONE: **POMPA ALASKA BASIC**

11	* 4405010705	RUOTA 1 CV II 50 HZ	20	* 4405010867	COPERCHIO POSTERIORE MOTORE 0,33-0
11	* 4405010706	RUOTA 1 ¼ CV II 50 HZ	20	* 4405010868	COPERCHIO POSTERIORE MOTORE 0,75-1
21	* 4405010852	COPERCHIO VENTILATORE + VENTILATOF	22	* 4405011211	CONDENSATORE 20 UF (3/4 - 1 HP LL)
21	* 4405010853	COPERCHIO VENTILATORE + VENTILATOF	23	* 4405010849	GRUPPO MORSETTIERA
22	* 4405010799	CONDENSATORE 10 UF	23	* 4405010850	GRUPPO MORSETTIERA
22	* 4405011210	CONDENSATORE 12 UF (1/2 HP)			

CODICE **69383, 69384, 69385, 69386, 69387**

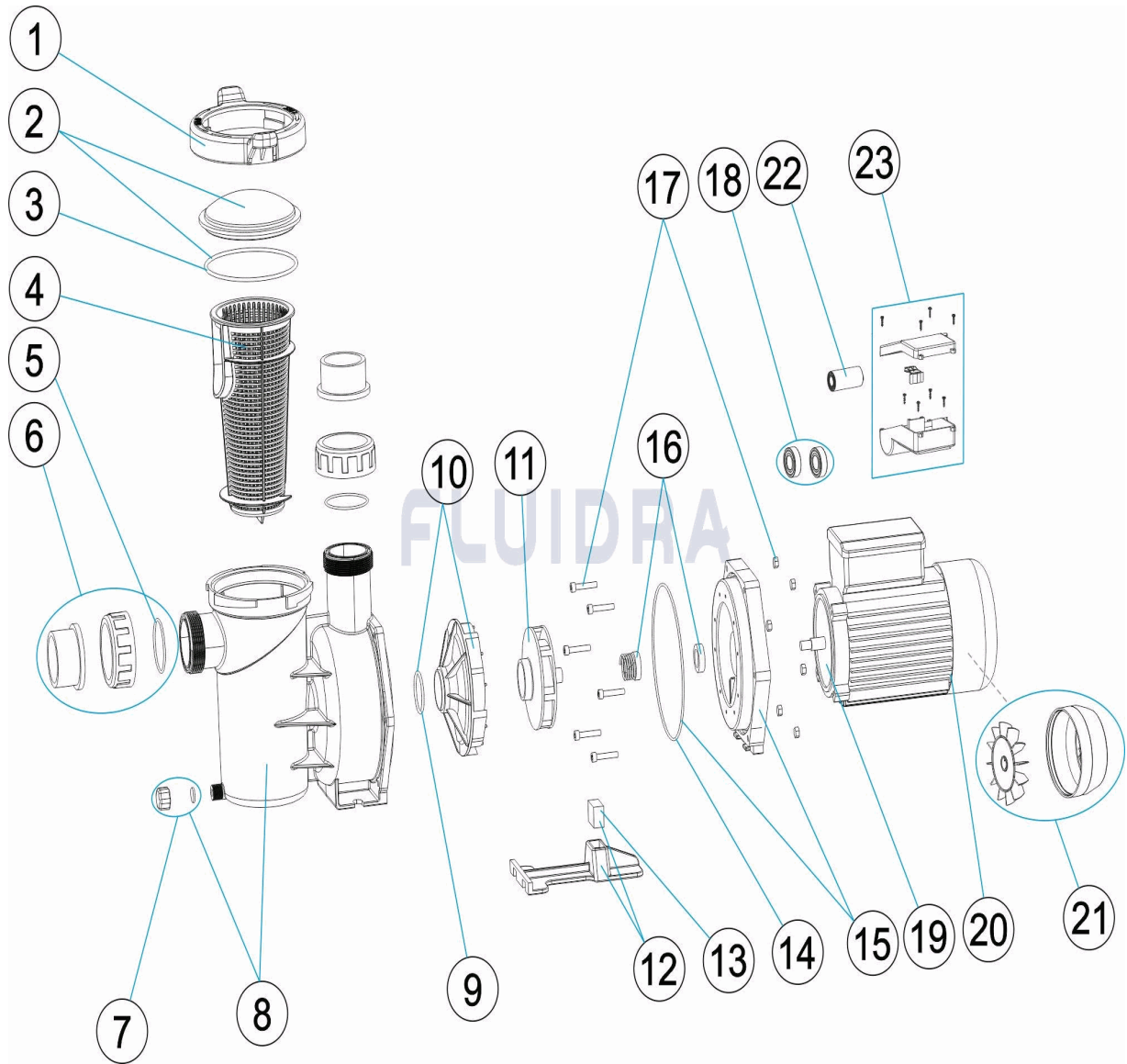
DESCRIZIONE: **POMPA ALASKA BASIC**

OSSERVAZIONI

POS	CODICE	OSSERVAZIONI
11	* 4405010701	PER: 69383
11	* 4405010703	PER: 69384
11	* 4405010704	PER: 69385
11	* 4405010705	PER: 69386
11	* 4405010706	PER: 69387
12	* 4405010707	PER: 69383, 69384, 69385
12	* 4405010708	PER: 69386, 69387
13	* 4405010709	PER: 69383, 69384, 69385
13	* 4405010710	PER: 69386, 69387
15	* 4405010712	PER: 69383, 69384, 69385
15	* 4405010713	PER: 69386, 69387
18	* 4405010864	PER: 69383, 69384, 69385
18	* 4405010865	PER: 69386, 69387
19	* 4405010872	PER: 69383, 69384, 69385
19	* 4405010870	PER: 69386, 69387
20	* 4405010867	PER: 69383, 69384, 69385
20	* 4405010868	PER: 69386, 69387
21	* 4405010852	PER: 69383, 69384, 69385
21	* 4405010853	PER: 69386, 69387
22	* 4405010799	PER: 69383
22	* 4405011210	PER: 69384
22	* 4405011211	PER: 69385, 69386, 69387
23	* 4405010849	PER: 69383, 69384, 69385
23	* 4405010850	PER: 69386, 69387

CODE **69383, 69384, 69385, 69386, 69387**

BESCHREIBUNG: **PUMPE ALASKA BASIC**



DEUTSCH

POS	CODE	BESCHREIBUNG	MENGE	POS	CODE	BESCHREIBUNG	MENGE
1	4405010694	MUTTER VORFILTERDECKEL		12	* 4405010707	PUMPENFUSS	
2	4405010695	VORFILTERDECKEL		12	* 4405010708	PUMPENFUSS	
3	4405010696	VORFILTERDECKEL O-RING		13	* 4405010709	SCHWINGUNGSDÄMPFER	
4	4405011201	KORB BACAP		13	* 4405010710	SCHWINGUNGSDÄMPFER	
5	4405010089	O-RING		14	4405010711	O-RING	
6	4405010086	ANSCHLUSSZUBEHÖR D. 50		15	* 4405010712	GLEITRINGDICHTUNG	
7	4405010697	ABLASSSTOPFEN		15	* 4405010713	GLEITRINGDICHTUNG	
8	4405010698	PUMPENGEHÄUSE		16	4405010714	GLEITRINGDICHTUNG	
9	4405010699	WASSERVERTEILER O-RING		17	4405010715	FIXIERSCHRAUBE GEHÄUSE	
10	4405010700	WASSERVERTEILER		18	* 4405010864	WÄLZLAGER 0,33-0,75HP	
11	* 4405010701	LAUFRAD 1/3 CV II 50 HZ		18	* 4405010865	WÄLZLAGER 1-1,25 HP	
11	* 4405010703	LAUFRAD ½ CV II 50 HZ		19	* 4405010872	MOTORDECKEL VORNE 0,33-0,50 HP	
11	* 4405010704	LAUFRAD ¾ CV II 50 HZ		19	* 4405010870	MOTORDECKEL VORNE 0,75-1,25 HP	

* SIEHE ANMERKUNGSBLATT

CODE **69383, 69384, 69385, 69386, 69387**

BESCHREIBUNG: **PUMPE ALASKA BASIC**

11	* 4405010705	LAUFRAD 1 CV II 50 HZ	20	* 4405010867	MOTORDECKEL HINTEN 0,33-0,50 HP
11	* 4405010706	LAUFRAD 1 ¼ CV II 50 HZ	20	* 4405010868	MOTORDECKEL HINTEN 0.75-1.25 HP
21	* 4405010852	SET VENTILATORDECKEL	22	* 4405011211	KONDENSATOR 20 UF (3/4 - 1 HP LL)
21	* 4405010853	SET VENTILATORDECKEL	23	* 4405010849	ANSCHLUSS-SCHRANK
22	* 4405010799	KONDENSATOR 10 UF	23	* 4405010850	ANSCHLUSS-SCHRANK
22	* 4405011210	KONDENSATOR 12 UF (1/2 HP)			

CODE **69383, 69384, 69385, 69386, 69387**

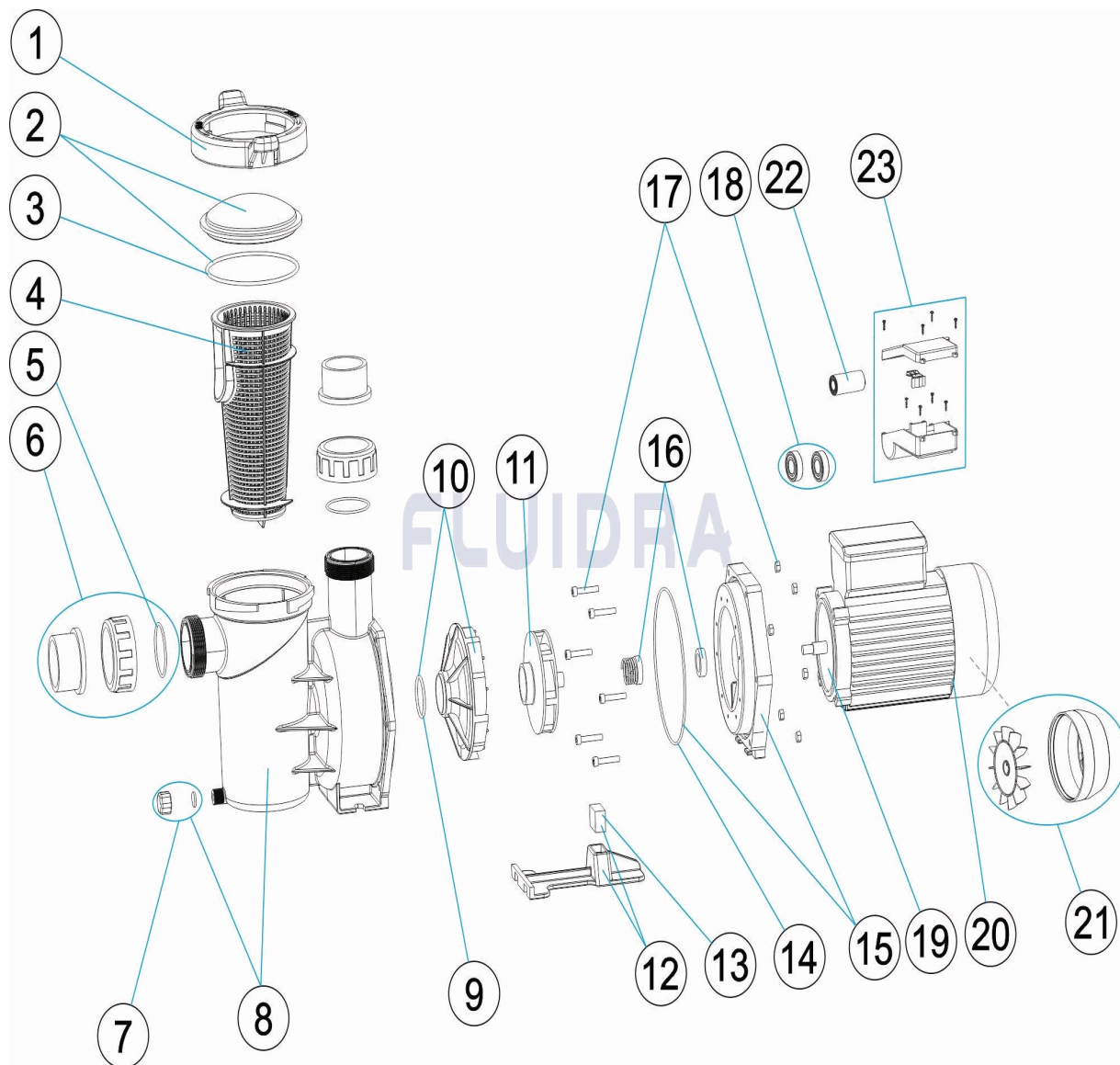
BESCHREIBUNG: **PUMPE ALASKA BASIC**

HINWEISE

POS	CODE	HINWEISE
11	* 4405010701	FÜR: 69383
11	* 4405010703	FÜR: 69384
11	* 4405010704	FÜR: 69385
11	* 4405010705	FÜR: 69386
11	* 4405010706	FÜR: 69387
12	* 4405010707	FÜR: 69383, 69384, 69385
12	* 4405010708	FÜR: 69386, 69387
13	* 4405010709	FÜR: 69383, 69384, 69385
13	* 4405010710	FÜR: 69386, 69387
15	* 4405010712	FÜR: 69383, 69384, 69385
15	* 4405010713	FÜR: 69386, 69387
18	* 4405010864	FÜR: 69383, 69384, 69385
18	* 4405010865	FÜR: 69386, 69387
19	* 4405010872	FÜR: 69383, 69384, 69385
19	* 4405010870	FÜR: 69386, 69387
20	* 4405010867	FÜR: 69383, 69384, 69385
20	* 4405010868	FÜR: 69386, 69387
21	* 4405010852	FÜR: 69383, 69384, 69385
21	* 4405010853	FÜR: 69386, 69387
22	* 4405010799	FÜR: 69383
22	* 4405011210	FÜR: 69384
22	* 4405011211	FÜR: 69385, 69386, 69387
23	* 4405010849	FÜR: 69383, 69384, 69385
23	* 4405010850	FÜR: 69386, 69387

CODIGO **69383, 69384, 69385, 69386, 69387**

DESCRIÇÃO: **BOMBA ALASKA BASIC**



PORTUGUES

POS	CODIGO	DESCRIÇÃO	JANTIDADE	POS	CODIGO	DESCRIÇÃO	JANTIDADE
1	4405010694	PORCA TAMPA PRE-FILTRO		12	* 4405010707	PÉ BOMBA	
2	4405010695	TAMPA PRÉ-FILTRO		12	* 4405010708	PÉ BOMBA	
3	4405010696	JUNTA TÓRICA TAMPA PRÉ-FILTRO		13	* 4405010709	SILENT-BLOCK	
4	4405011201	CESTO BACAP		13	* 4405010710	SILENT-BLOCK	
5	4405010089	JUNTA TÓRICA		14	4405010711	JUNTA TÓRICA	
6	4405010086	ACESSÓRIOS DE UNIÃO D 50		15	* 4405010712	FLANGE DO SELO MECÂNICO	
7	4405010697	TAMPÃO PURGA		15	* 4405010713	FLANGE DO SELO MECÂNICO	
8	4405010698	CORPO BOMBA		16	4405010714	JUNTA MECÂNICA	
9	4405010699	JUNTA TÓRICA DIFUSOR		17	4405010715	PARAFUSO ROLETE	
10	4405010700	DIFUSOR		18	* 4405010864	ROLAMIENTOS 0,33-0,75HP	
11	* 4405010701	RODÍZIO 1/3 CV II 50 HZ		18	* 4405010865	ROLAMIENTOS 1-1,25 HP	
11	* 4405010703	RODÍZIO ½ CV II 50 HZ		19	* 4405010872	TAMPA DIANTEIRA MOTOR 0,33-0,50 HP	
11	* 4405010704	RODÍZIO ¾ CV II 50 HZ		19	* 4405010870	TAMPA DIANTEIRA MOTOR 0.75-1.25 HP	

*** VEJA A FICHA DE OBSERVAÇÕES**

CODIGO 69383, 69384, 69385, 69386, 69387

DESCRIÇÃO: BOMBA ALASKA BASIC

11	* 4405010705	RODÍZIO 1 CV II 50 HZ	20	* 4405010867	TAMPA TRASEIRA MOTOR 0,33-0,50 HP
11	* 4405010706	RODÍZIO 1 ¼ CV II 50 HZ	20	* 4405010868	TAMPA TRASEIRA MOTOR 0.75-1.25 HP
21	* 4405010852	TAMPA VENTILADOR + VENTILADOR	22	* 4405011211	CONDENSADOR 20 UF (3/4 - 1 HP LL)
21	* 4405010853	TAMPA VENTILADOR + VENTILADOR	23	* 4405010849	CAIXA LIGAÇÕES
22	* 4405010799	CONDENSADOR 10 UF	23	* 4405010850	CAIXA LIGAÇÕES
22	* 4405011210	CONDENSADOR 12 UF (1/2 HP)			

CODIGO **69383, 69384, 69385, 69386, 69387**

DESCRIÇÃO: BOMBA ALASKA BASIC

OBSERVAÇÕES

POS	CODIGO	OBSERVAÇÕES
11	* 4405010701	PARA: 69383
11	* 4405010703	PARA: 69384
11	* 4405010704	PARA: 69385
11	* 4405010705	PARA: 69386
11	* 4405010706	PARA: 69387
12	* 4405010707	PARA: 69383, 69384, 69385
12	* 4405010708	PARA: 69386, 69387
13	* 4405010709	PARA: 69383, 69384, 69385
13	* 4405010710	PARA: 69386, 69387
15	* 4405010712	PARA: 69383, 69384, 69385
15	* 4405010713	PARA: 69386, 69387
18	* 4405010864	PARA: 69383, 69384, 69385
18	* 4405010865	PARA: 69386, 69387
19	* 4405010872	PARA: 69383, 69384, 69385
19	* 4405010870	PARA: 69386, 69387
20	* 4405010867	PARA: 69383, 69384, 69385
20	* 4405010868	PARA: 69386, 69387
21	* 4405010852	PARA: 69383, 69384, 69385
21	* 4405010853	PARA: 69386, 69387
22	* 4405010799	PARA: 69383
22	* 4405011210	PARA: 69384
22	* 4405011211	PARA: 69385, 69386, 69387
23	* 4405010849	PARA: 69383, 69384, 69385
23	* 4405010850	PARA: 69386, 69387