

KIT

REV: 4

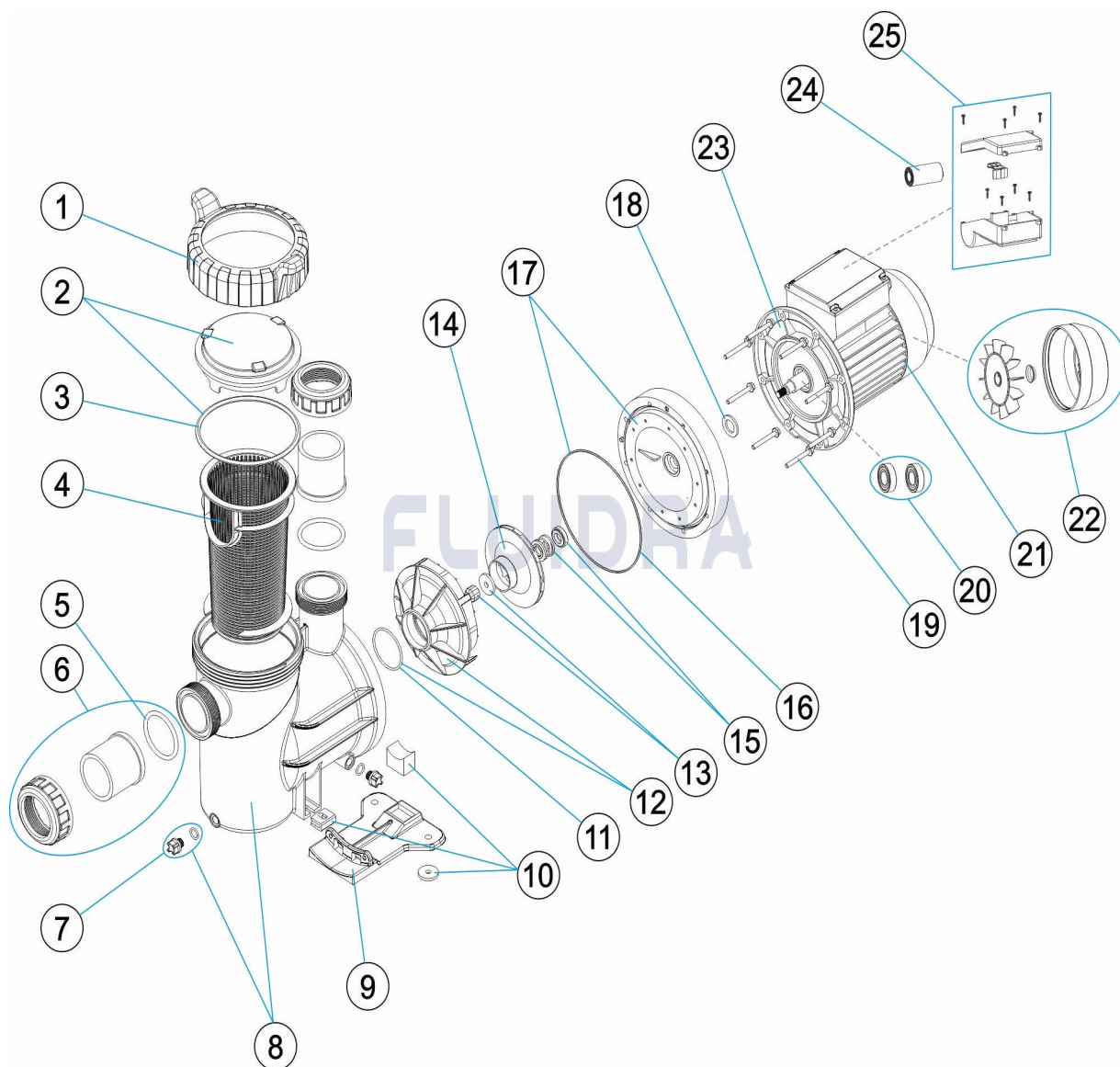
1225

FECHA: 22/12/2021

HOJA: 1/3

CODIGO **04010M01, 04010M02, 04010M03, 04010M04, 04010M05, 04010M06,**
04010M09, 04010M10, 04010M11, 04010M12

DESCRIPCION: BOMBA MRT



ESPAÑOL

POS	CODIGO	DESCRIPCION	CANTIDAD	POS	CODIGO	DESCRIPCION	CANTIDAD
1	4405010788	TUERCA TAPA		13	4405010779	TAPÓN RODETE	
2	4405010789	TAPA PREFILTRO		14	* 4405011135	RODETE 0,5 CV. II 50 HZ	
3	4405010772	JUNTA TORICA D. 151,7X6,99		14	* 4405011136	RODETE 0,75 CV. II 50 HZ	
4	4405011103	CESTO PREFILTRO		14	* 4405011137	RODETE 1 CV. II 50 HZ	
5	4405010773	JUNTA TORICA MANGUITO		14	* 4405011139	RODETE 1,5 CV. II 50 HZ	
6	* 4405010774	ACCESORIOS ENLACE D. 50		14	* 4405011141	RODETE 2 CV. II 50 HZ	
6	* 4405010775	ACCESORIOS ENLACE D. 63		14	* 4405011143	RODETE 3 CV. II 50 HZ	
7	4405010090	TAPON PURGA		14	* 4405011140	RODETE 1,5 CV. III 50 HZ	
8	4405010776	CUERPO BOMBA		14	* 4405011138	RODETE 1 CV. III 50 HZ	
9	4405010790	PIE BOMBA		14	* 4405011142	RODETE 2 CV. III 50 HZ	
10	* 4405010791	UNIÓN HIDRÁULICA PIE 0,75 - 1 HP		14	* 4405011144	RODETE 3 CV. III 50 HZ	
10	* 4405010792	UNIÓN HIDRÁULICA PIE 1,5 HP - 3 HP		15	4405011112	JUNTA MECANICA D-15	

*** NOTA OBSERVACIONES**

KIT

REV: 4

1225

FECHA: 22/12/2021

HOJA: 2/3

CODIGO **04010M01, 04010M02, 04010M03, 04010M04, 04010M05, 04010M06,
04010M09, 04010M10, 04010M11, 04010M12**

DESCRIPCION: **BOMBA MRT**

11	4405010161	JUNTA TORICA D. 56,7X3,5	16	4405010781	JUNTA BRIDA MOTOR
12	* 4405011133	DIFUSOR 0,5 A 1,5 HP.	17	4405010793	BRIDA CIERRE MECANICO
12	* 4405011134	DIFUSOR 2-3 HP	18	4405010786	ARANDELA DEFLECTORA C,71 ½-1 HP
19	4405010794	TORNILLOS UNION MOTOR	23	* 4405010964	TAPA MOTOR
20	* 4405010968	CJTO. RODAMIENTOS	23	* 4405010963	TAPA MOTOR
20	* 4405010863	RODAMIENTO 0,33-0,55 HP	23	* 4405010961	TAPA MOTOR
21	* 4405010965	TAPA MOTOR	23	* 4405010962	TAPA MOTOR
21	* 4405011131	TAPA TRASERA MOTOR C.71 (1,5-3 HP II)	24	* 4405011210	CONDENSADOR 12 UF (½ HP)
21	* 4405010966	TAPA MOTOR	24	* 4405011211	CONDENSADOR 20 UF (¾ - 1 HP LL)
21	* 4405010967	TAPA MOTOR	24	* 4405011212	CONDENSADOR 25 UF (2 HP LL)
22	* 4405011209	CJTO. VENTILADOR+TAPA (1/3 - 1,25 HP)	24	* 4405011123	CONDENSADOR 35 UF (3 HP)
22	* 4405010851	CJTO. TAPA VENTILADOR	25	* 4405011213	CJTO. CAJA BORNES II
22	* 4405011120	TAPA VENTILADOR + VENTILDOR (1,5 - 3 H	25	* 4405010848	CAJA DE CONEXIONES

* NOTA OBSERVACIONES

KIT

REV: 4

1225

FECHA: 22/12/2021

HOJA: 3/3

CODIGO **04010M01, 04010M02, 04010M03, 04010M04, 04010M05, 04010M06,
04010M09, 04010M10, 04010M11, 04010M12**

DESCRIPCION: **BOMBA MRT**

OBSERVACIONES

POS	CODIGO	OBSERVACIONES
6	* 4405010774	PARA: 04010M01, 04010M02, 04010M03, 04010M09
6	* 4405010775	PARA: 04010M04, 04010M05, 04010M06, 04010M10, 04010M11, 04010M12
10	* 4405010791	PARA: 04010M01, 04010M02, 04010M03, 04010M09
10	* 4405010792	PARA: 04010M04, 04010M05, 04010M06, 04010M10, 04010M11, 04010M12
12	* 4405011133	PARA: 04010M01, 04010M02, 04010M03, 04010M04, 04010M09, 04010M10
12	* 4405011134	PARA: 04010M05, 04010M06, 04010M11, 04010M12
14	* 4405011135	PARA: 04010M01
14	* 4405011136	PARA: 04010M02
14	* 4405011137	PARA: 04010M03
14	* 4405011139	PARA: 04010M04
14	* 4405011141	PARA: 04010M05
14	* 4405011143	PARA: 04010M06
14	* 4405011140	PARA: 04010M09
14	* 4405011138	PARA: 04010M10
14	* 4405011142	PARA: 04010M11
14	* 4405011144	PARA: 04010M12
20	* 4405010968	PARA: 04010M01, 04010M02, 04010M03, 04010M09
20	* 4405010863	PARA: 04010M04, 04010M05, 04010M06, 04010M10, 04010M11, 04010M12
21	* 4405010965	PARA: 04010M01, 04010M02, 04010M03, 04010M09
21	* 4405011131	PARA: 04010M04, 04010M05, 04010M06
21	* 4405010966	PARA: 04010M10, 04010M11
21	* 4405010967	PARA: 04010M12
22	* 4405011209	PARA: 04010M01, 04010M02, 04010M03, 04010M09
22	* 4405010851	PARA: 04010M04, 04010M05, 04010M06, 04010M12
22	* 4405011120	PARA: 04010M10, 04010M11, 04010M12
23	* 4405010964	PARA: 04010M01, 04010M02, 04010M03, 04010M09
23	* 4405010963	PARA: 04010M04, 04010M05, 04010M06
23	* 4405010961	PARA: 04010M10, 04010M11
23	* 4405010962	PARA: 04010M12
24	* 4405011210	PARA: 04010M01
24	* 4405011211	PARA: 04010M02, 04010M03, 04010M04
24	* 4405011212	PARA: 04010M05
24	* 4405011123	PARA: 04010M06
25	* 4405011213	PARA: 04010M01, 04010M02, 04010M03, 04010M04, 04010M05, 04010M06
25	* 4405010848	PARA: 04010M09, 04010M10, 04010M11, 04010M12

ÉCLATÉ

REV.: 4

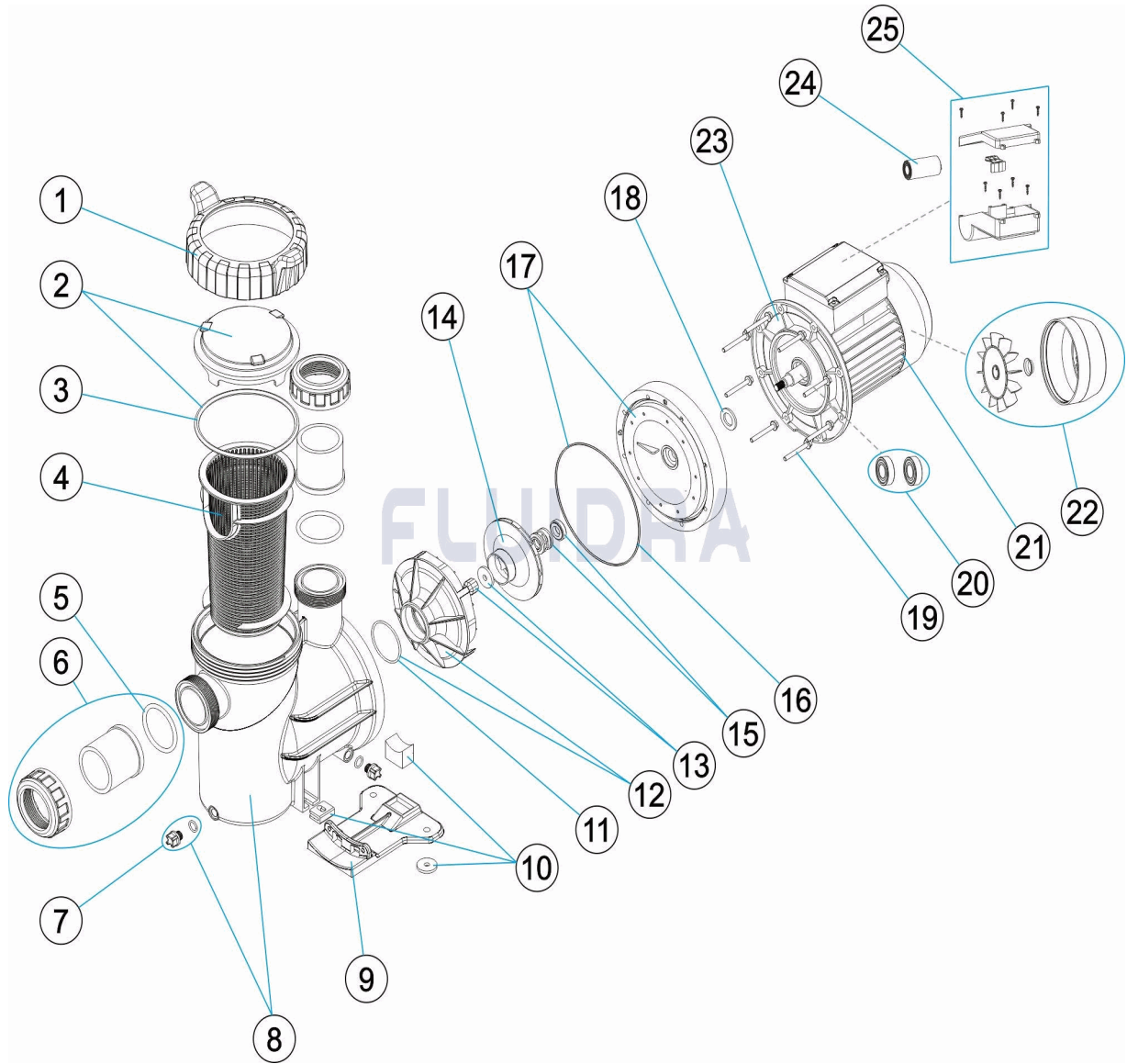
1225

DATE: 22/12/2021

PAG.: 1/3

CODE **04010M01, 04010M02, 04010M03, 04010M04, 04010M05, 04010M06,
04010M09, 04010M10, 04010M11, 04010M12**

DESCRIPTION: **POMPE MRT**



FRANCAIS

POS	CODE	DESCRIPTION	QUANTITE	POS	CODE	DESCRIPTION	QUANTITE
1	4405010788	ECROU DE COUVERCLE		13	4405010779	BOUCHON BOUT AXE	
2	4405010789	COUVERCLE PRÉFILTRE		14	* 4405011135	TURBINE 0,5 HP. II 50 HZ	
3	4405010772	JOINT TORIQUE D 151,7X6,99		14	* 4405011136	TURBINE 0,75 HP. II 50 HZ	
4	4405011103	PANIER PRÉFILTRE		14	* 4405011137	TURBINE 1 HP. II 50 HZ	
5	4405010773	JOINT TORIQUE MANCHON		14	* 4405011139	TURBINE 1,5 HP. II 50 HZ	
6	* 4405010774	RACCORDS UNION D 50		14	* 4405011141	TURBINE 2 HP. II 50 HZ	
6	* 4405010775	RACCORDS UNION D 63		14	* 4405011143	TURBINE 3 HP. II 50 HZ	
7	4405010090	BOUCHON PURGE		14	* 4405011140	TURBINE 1,5 HP. III 50 HZ	
8	4405010776	CORPS POMPE		14	* 4405011138	TURBINE 1 HP. III 50 HZ	
9	4405010790	SOCLE POMPE		14	* 4405011142	TURBINE 2 HP. III 50 HZ	
10	* 4405010791	RACCORD HYDRAULIQUE DE PIED 0,75 - 1		14	* 4405011144	TURBINE 3 HP. III 50 HZ	
10	* 4405010792	RACCORD HYDRAULIQUE DE PIED 1,5 HP		15	4405011112	GARNITURE MÉCANIQUE D-15	

* VOIR FICHE D'OBSERVATIONS

ÉCLATÉ

REV.: 4

1225

DATE: 22/12/2021

PAG.: 2/3

CODE **04010M01, 04010M02, 04010M03, 04010M04, 04010M05, 04010M06,
04010M09, 04010M10, 04010M11, 04010M12**

DESCRIPTION: **POMPE MRT**

11	4405010161	JOINT TORIQUE D 56,7X3,5	16	4405010781	JOINT FLASQUE ACCOUP. MOTEUR
12	* 4405011133	DIFFUSEUR 0,5-1,5 HP.	17	4405010793	BRIDA GARNITURE MÉCANIQUE
12	* 4405011134	DIFFUSEUR 2-3-HP.	18	4405010786	JOINT RAMASSE GOUTTES C.71 ½-1 HP
19	4405010794	VIS MOTEUR	23	* 4405010964	COUVERCLE MOTEUR
20	* 4405010968	ENSEMBLE ROULEMENT	23	* 4405010963	COUVERCLE MOTEUR
20	* 4405010863	ROULEMENT 0,33-0,55 HP	23	* 4405010961	COUVERCLE MOTEUR
21	* 4405010965	COUVERCLE MOTEUR	23	* 4405010962	COUVERCLE MOTEUR
21	* 4405011131	COUVERCLE ARRIÈRE MOTEUR (1,5-3 HP	24	* 4405011210	CONDENSATEUR 12 UF (1/2 HP)
21	* 4405010966	COUVERCLE MOTEUR	24	* 4405011211	CONDENSATEUR 20 UF (3/4 - 1 HP LL)
21	* 4405010967	COUVERCLE MOTEUR	24	* 4405011212	CONDENSATEUR 25 UF (2 HP LL)
22	* 4405011209	ENSEMBLE VENTILATEUR + COUVERCLE	24	* 4405011123	CONDENSATEUR 35 UF (3 HP)
22	* 4405010851	CAPOT VENTILATEUR + VENTILATEUR	25	* 4405011213	ENSEMBLE BOITIER CONNEXION II
22	* 4405011120	CAPOT VENTILATEUR + VENTILATEUR (1,5	25	* 4405010848	BOITIER CONNEXION

* VOIR FICHE D'OBSERVATIONS

ÉCLATÉ

REV.: 4
DATE: 22/12/2021
PAG.: 3/3

1225

CODE **04010M01, 04010M02, 04010M03, 04010M04, 04010M05, 04010M06,
04010M09, 04010M10, 04010M11, 04010M12**

DESCRIPTION: **POMPE MRT**

OBSERVATIONS

POS	CODE	OBSERVATIONS
6	* 4405010774	POUR: 04010M01, 04010M02, 04010M03, 04010M09
6	* 4405010775	POUR: 04010M04, 04010M05, 04010M06, 04010M10, 04010M11, 04010M12
10	* 4405010791	POUR: 04010M01, 04010M02, 04010M03, 04010M09
10	* 4405010792	POUR: 04010M04, 04010M05, 04010M06, 04010M10, 04010M11, 04010M12
12	* 4405011133	POUR: 04010M01, 04010M02, 04010M03, 04010M04, 04010M09, 04010M10
12	* 4405011134	POUR: 04010M05, 04010M06, 04010M11, 04010M12
14	* 4405011135	POUR: 04010M01
14	* 4405011136	POUR: 04010M02
14	* 4405011137	POUR: 04010M03
14	* 4405011139	POUR: 04010M04
14	* 4405011141	POUR: 04010M05
14	* 4405011143	POUR: 04010M06
14	* 4405011140	POUR: 04010M09
14	* 4405011138	POUR: 04010M10
14	* 4405011142	POUR: 04010M11
14	* 4405011144	POUR: 04010M12
20	* 4405010968	POUR: 04010M01, 04010M02, 04010M03, 04010M09
20	* 4405010863	POUR: 04010M04, 04010M05, 04010M06, 04010M10, 04010M11, 04010M12
21	* 4405010965	POUR: 04010M01, 04010M02, 04010M03, 04010M09
21	* 4405011131	POUR: 04010M04, 04010M05, 04010M06
21	* 4405010966	POUR: 04010M10, 04010M11
21	* 4405010967	POUR: 04010M12
22	* 4405011209	POUR: 04010M01, 04010M02, 04010M03, 04010M09
22	* 4405010851	POUR: 04010M04, 04010M05, 04010M06, 04010M12
22	* 4405011120	POUR: 04010M10, 04010M11, 04010M12
23	* 4405010964	POUR: 04010M01, 04010M02, 04010M03, 04010M09
23	* 4405010963	POUR: 04010M04, 04010M05, 04010M06
23	* 4405010961	POUR: 04010M10, 04010M11
23	* 4405010962	POUR: 04010M12
24	* 4405011210	POUR: 04010M01
24	* 4405011211	POUR: 04010M02, 04010M03, 04010M04
24	* 4405011212	POUR: 04010M05
24	* 4405011123	POUR: 04010M06
25	* 4405011213	POUR: 04010M01, 04010M02, 04010M03, 04010M04, 04010M05, 04010M06
25	* 4405010848	POUR: 04010M09, 04010M10, 04010M11, 04010M12

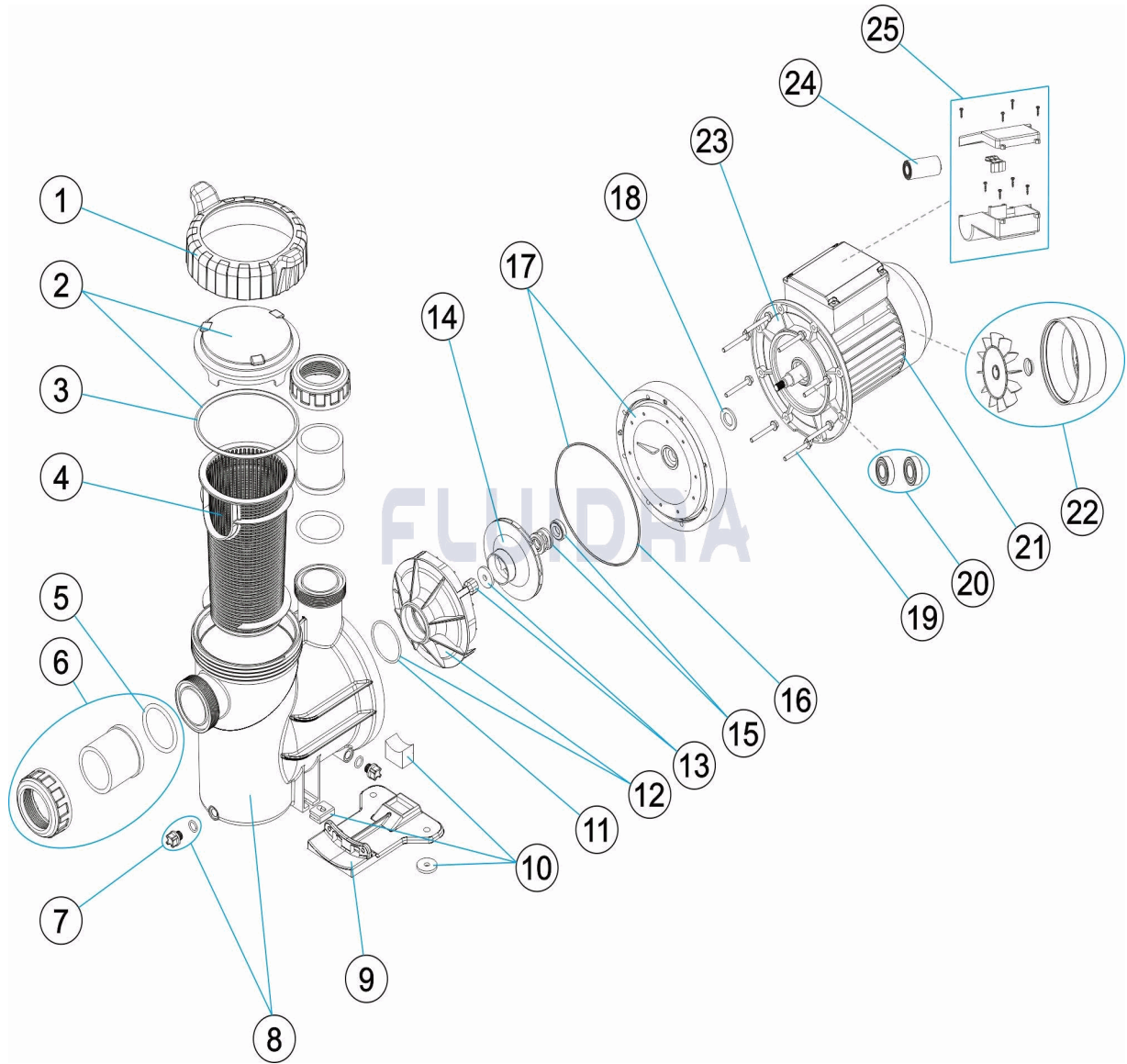
PARTS BREAKDOWN

REV.: 4
DATE: 22/12/2021
SHEET: 1/3

1225

CODE 04010M01, 04010M02, 04010M03, 04010M04, 04010M05, 04010M06,
04010M09, 04010M10, 04010M11, 04010M12

DESCRIPTION: MRT PUMP



ENGLISH

POS	CODE	DESCRIPTION	QUANTITY	POS	CODE	DESCRIPTION	QUANTITY
1	4405010788	THREADED LID COLLAR		13	4405010779	IMPELLER COVER	
2	4405010789	PRE-FILTER COVER		14	* 4405011135	IMPELLER 0,5 HP. II 50 HZ	
3	4405010772	O' RING D 151,7X6,99		14	* 4405011136	IMPELLER 0,75 HP. II 50 HZ	
4	4405011103	PRE-FILTER BASKET		14	* 4405011137	IMPELLER 1 HP. II 50 HZ	
5	4405010773	SOCKET O'RING		14	* 4405011139	IMPELLER 1,5 HP. II 50 HZ	
6	* 4405010774	UNION FITTINGS D 50		14	* 4405011141	IMPELLER 2 HP. II 50 HZ	
6	* 4405010775	UNION FITTINGS D 63		14	* 4405011143	IMPELLER 3 HP. II 50 HZ	
7	4405010090	DRAIN PLUG		14	* 4405011140	IMPELLER 1,5 HP. III 50 HZ	
8	4405010776	PUMP HOUSING		14	* 4405011138	IMPELLER 1 HP. III 50 HZ	
9	4405010790	PUMP BASE		14	* 4405011142	IMPELLER 2 HP. III 50 HZ	
10	* 4405010791	PUMP BASE FITTINGS 0,75 - 1 HP		14	* 4405011144	IMPELLER 3 HP. III 50 HZ	
10	* 4405010792	PUMP BASE FITTINGS 1,5 HP - 3 HP		15	4405011112	MECHANICAL SEAL D-15	

* SEE OBSERVATIONS SHEET

PARTS BREAKDOWN

REV.: 4
DATE: 22/12/2021
SHEET: 2/3

1225

CODE **04010M01, 04010M02, 04010M03, 04010M04, 04010M05, 04010M06,
04010M09, 04010M10, 04010M11, 04010M12**

DESCRIPTION: **MRT PUMP**

11	4405010161	O' RING D. 56,7X3,5	16	4405010781	MOTOR CLAMP GASKET
12	* 4405011133	DIFFUSER 0,5-1,5 HP.	17	4405010793	FLANGE MECANICAL SEAL
12	* 4405011134	DIFFUSER 2-3 HP.	18	4405010786	DEFLECTOR WASHER C.71 ½-1 HP
19	4405010794	MOTOR SCREW	23	* 4405010964	MOTOR COVER
20	* 4405010968	BEARINGS ASSEMBLY	23	* 4405010963	MOTOR COVER
20	* 4405010863	0,33-0,55 HP BEARING	23	* 4405010961	MOTOR COVER
21	* 4405010965	MOTOR COVER	23	* 4405010962	MOTOR COVER
21	* 4405011131	REAR MOTOR COVER (1,5-3 HP II)	24	* 4405011210	CONDENSER 12 UF (1/2 HP)
21	* 4405010966	MOTOR COVER	24	* 4405011211	CONDENSER 20 UF (3/4 - 1 HP LL)
21	* 4405010967	MOTOR COVER	24	* 4405011212	CONDENSER 25 UF (2 HP LL)
22	* 4405011209	FAN COVER ASSEMBLY FAN COVER ASSE	24	* 4405011123	CONDENSER 35 UF (3 HP)
22	* 4405010851	FAN COVER + FAN	25	* 4405011213	TERMINAL BOX ASSEMBLY II
22	* 4405011120	FAN COVER + FAN (1,5 - 3 HP II)	25	* 4405010848	CONNECTION BOX

* SEE OBSERVATIONS SHEET

PARTS BREAKDOWN

REV.: 4
DATE: 22/12/2021
SHEET: 3/3

1225

CODE **04010M01, 04010M02, 04010M03, 04010M04, 04010M05, 04010M06,
04010M09, 04010M10, 04010M11, 04010M12**

DESCRIPTION: **MRT PUMP**

OBSERVATIONS

POS	CODE	OBSERVATIONS
6	* 4405010774	FOR: 04010M01, 04010M02, 04010M03, 04010M09
6	* 4405010775	FOR: 04010M04, 04010M05, 04010M06, 04010M10, 04010M11, 04010M12
10	* 4405010791	FOR: 04010M01, 04010M02, 04010M03, 04010M09
10	* 4405010792	FOR: 04010M04, 04010M05, 04010M06, 04010M10, 04010M11, 04010M12
12	* 4405011133	FOR: 04010M01, 04010M02, 04010M03, 04010M04, 04010M09, 04010M10
12	* 4405011134	FOR: 04010M05, 04010M06, 04010M11, 04010M12
14	* 4405011135	FOR: 04010M01
14	* 4405011136	FOR: 04010M02
14	* 4405011137	FOR: 04010M03
14	* 4405011139	FOR: 04010M04
14	* 4405011141	FOR: 04010M05
14	* 4405011143	FOR: 04010M06
14	* 4405011140	FOR: 04010M09
14	* 4405011138	FOR: 04010M10
14	* 4405011142	FOR: 04010M11
14	* 4405011144	FOR: 04010M12
20	* 4405010968	FOR: 04010M01, 04010M02, 04010M03, 04010M09
20	* 4405010863	FOR: 04010M04, 04010M05, 04010M06, 04010M10, 04010M11, 04010M12
21	* 4405010965	FOR: 04010M01, 04010M02, 04010M03, 04010M09
21	* 4405011131	FOR: 04010M04, 04010M05, 04010M06
21	* 4405010966	FOR: 04010M10, 04010M11
21	* 4405010967	FOR: 04010M12
22	* 4405011209	FOR: 04010M01, 04010M02, 04010M03, 04010M09
22	* 4405010851	FOR: 04010M04, 04010M05, 04010M06, 04010M12
22	* 4405011120	FOR: 04010M10, 04010M11, 04010M12
23	* 4405010964	FOR: 04010M01, 04010M02, 04010M03, 04010M09
23	* 4405010963	FOR: 04010M04, 04010M05, 04010M06
23	* 4405010961	FOR: 04010M10, 04010M11
23	* 4405010962	FOR: 04010M12
24	* 4405011210	FOR: 04010M01
24	* 4405011211	FOR: 04010M02, 04010M03, 04010M04
24	* 4405011212	FOR: 04010M05
24	* 4405011123	FOR: 04010M06
25	* 4405011213	FOR: 04010M01, 04010M02, 04010M03, 04010M04, 04010M05, 04010M06
25	* 4405010848	FOR: 04010M09, 04010M10, 04010M11, 04010M12

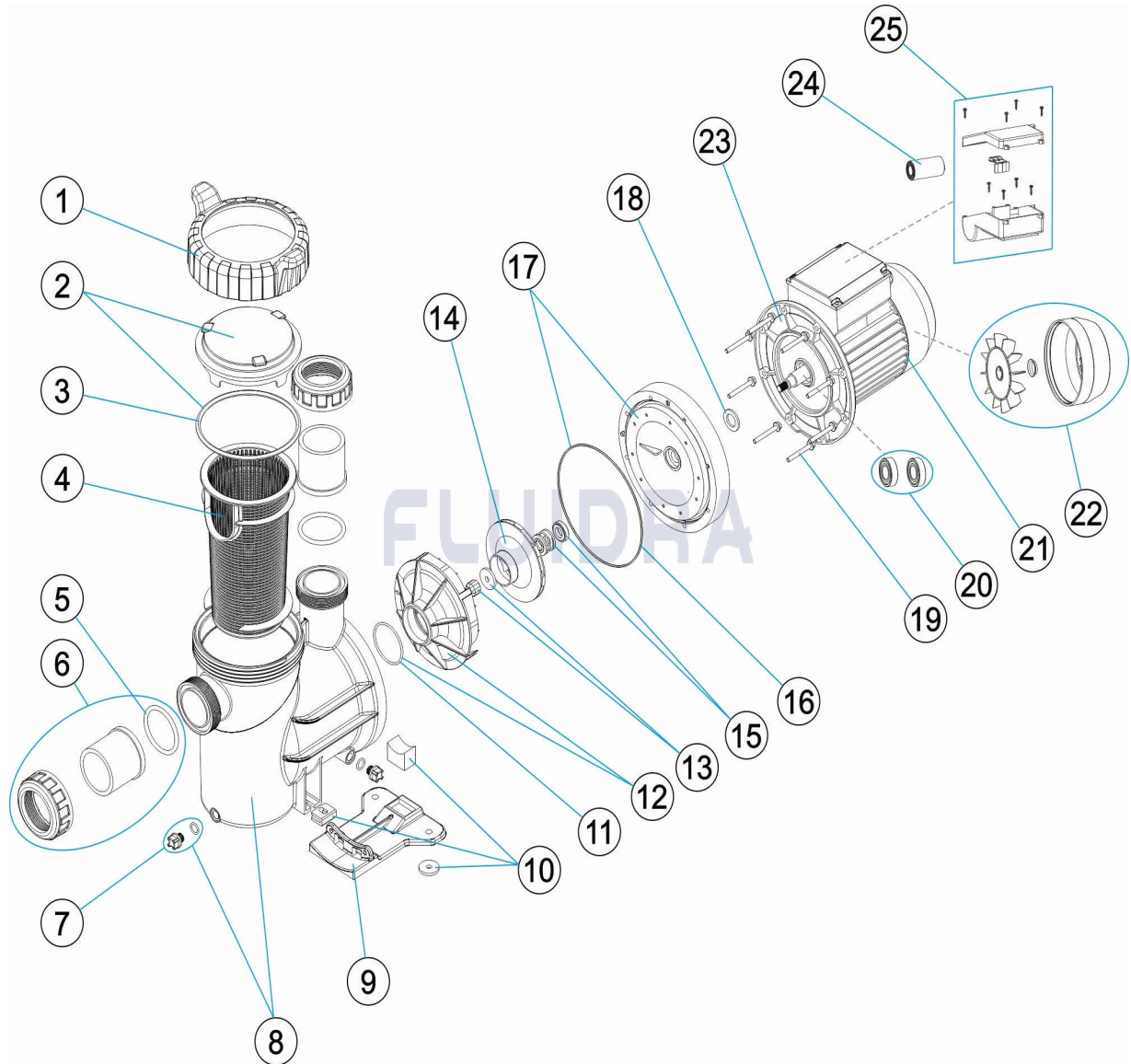
ESPLOSO

REV.: 4
DATA: 22/12/2021
PAG.: 1/3

1225

CODICE **04010M01, 04010M02, 04010M03, 04010M04, 04010M05, 04010M06,
04010M09, 04010M10, 04010M11, 04010M12**

DESCRIZIONE: **POMPA MRT**



ITALIANO

POS	CODICE	DESCRIZIONE	QUANTITA'	POS	CODICE	DESCRIZIONE	QUANTITA'
1	4405010788	GHIERA COPERCHIO		13	4405010779	TAPPO RUOTA	
2	4405010789	COPERCHIO PREFILTRO		14	* 4405011135	RUOTA 0,5 HP. II 50 HZ	
3	4405010772	O-RING D 151,7X6,99		14	* 4405011136	RUOTA 0,75 HP. II 50 HZ	
4	4405011103	CESTO PREFILTRO		14	* 4405011137	RUOTA 1 HP. II 50 HZ	
5	4405010773	O-RING MANICOTTO		14	* 4405011139	RUOTA 1,5 HP. II 50 HZ	
6	* 4405010774	MANICOTTI DI UNIONE D 50		14	* 4405011141	RUOTA 2 HP. II 50 HZ	
6	* 4405010775	MANICOTTI DI UNIONE D 63		14	* 4405011143	RUOTA 3 HP. II 50 HZ	
7	4405010090	TAPPO SPURGO		14	* 4405011140	RUOTA 1,5 HP. III 50 HZ	
8	4405010776	CORPO POMBA		14	* 4405011138	RUOTA 1 HP. III 50 HZ	
9	4405010790	PIEDE POMPA		14	* 4405011142	RUOTA 2 HP. III 50 HZ	
10	* 4405010791	UNIONE PARTE IDRAULICA-BASE 0,75 -		14	* 4405011144	RUOTA 3 HP. III 50 HZ	
10	* 4405010792	UNIONE IDRAULICA-BASE 1,5 HP - 3 HP		15	4405011112	GUARNIZIONE MECCANICA D-15	

* SI FACCIA RIFERIMENTO AL FOGLIO DELLE OSSERVAZIONI

ESPLOSO

REV.: 4
DATA: 22/12/2021
PAG.: 2/3

1225

CODICE **04010M01, 04010M02, 04010M03, 04010M04, 04010M05, 04010M06,
04010M09, 04010M10, 04010M11, 04010M12**

DESCRIZIONE: **POMPA MRT**

11	4405010161	O-RING D 56,7X3,5	16	4405010781	GUARNIZIONE FLANGIA MOTORE
12	* 4405011133	DIFFUSORE 0,5-1,5 HP.	17	4405010793	BRIDA TENUTA MECANICA
12	* 4405011134	DIFFUSORE 2-3 HP.	18	4405010786	RONDELLA DEFLETTTRICE C,71 ½-1 HP
19	4405010794	VITE MOTORE	23	* 4405010964	COPERCHIO MOTORE
20	* 4405010968	KIT ROLAMEN	23	* 4405010963	COPERCHIO MOTORE
20	* 4405010863	CUSCINETTO 0,33-0,55 HP	23	* 4405010961	COPERCHIO MOTORE
21	* 4405010965	COPERCHIO MOTORE	23	* 4405010962	COPERCHIO MOTORE
21	* 4405011131	COPERCHIO POSTERIORE MOTORE (1,5-3	24	* 4405011210	CONDENSATORE 12 UF (1/2 HP)
21	* 4405010966	COPERCHIO MOTORE	24	* 4405011211	CONDENSATORE 20 UF (3/4 - 1 HP LL)
21	* 4405010967	COPERCHIO MOTORE	24	* 4405011212	CONDENSATORE 25 UF (2 HP LL)
22	* 4405011209	GRUPPO VENTILATORE + COPERCHIO (1/	24	* 4405011123	CONDENSATORE 35 UF (3 HP)
22	* 4405010851	COPERCHIO VENTILATORE + VENTILATOF	25	* 4405011213	GRUPPO MORSETTIERA II
22	* 4405011120	COPERCHIO VENTILATORE + VENTILATOF	25	* 4405010848	GRUPPO MORSETTIERA

* SI FACCIA RIFERIMENTO AL FOGLIO DELLE OSSERVAZIONI

ESPLOSO

REV.: 4

1225

DATA: 22/12/2021

PAG.: 3/3

CODICE **04010M01, 04010M02, 04010M03, 04010M04, 04010M05, 04010M06,
04010M09, 04010M10, 04010M11, 04010M12**

DESCRIZIONE: **POMPA MRT**

OSSERVAZIONI

POS	CODICE	OSSERVAZIONI
6	* 4405010774	PER: 04010M01, 04010M02, 04010M03, 04010M09
6	* 4405010775	PER: 04010M04, 04010M05, 04010M06, 04010M10, 04010M11, 04010M12
10	* 4405010791	PER: 04010M01, 04010M02, 04010M03, 04010M09
10	* 4405010792	PER: 04010M04, 04010M05, 04010M06, 04010M10, 04010M11, 04010M12
12	* 4405011133	PER: 04010M01, 04010M02, 04010M03, 04010M04, 04010M09, 04010M10
12	* 4405011134	PER: 04010M05, 04010M06, 04010M11, 04010M12
14	* 4405011135	PER: 04010M01
14	* 4405011136	PER: 04010M02
14	* 4405011137	PER: 04010M03
14	* 4405011139	PER: 04010M04
14	* 4405011141	PER: 04010M05
14	* 4405011143	PER: 04010M06
14	* 4405011140	PER: 04010M09
14	* 4405011138	PER: 04010M10
14	* 4405011142	PER: 04010M11
14	* 4405011144	PER: 04010M12
20	* 4405010968	PER: 04010M01, 04010M02, 04010M03, 04010M09
20	* 4405010863	PER: 04010M04, 04010M05, 04010M06, 04010M10, 04010M11, 04010M12
21	* 4405010965	PER: 04010M01, 04010M02, 04010M03, 04010M09
21	* 4405011131	PER: 04010M04, 04010M05, 04010M06
21	* 4405010966	PER: 04010M10, 04010M11
21	* 4405010967	PER: 04010M12
22	* 4405011209	PER: 04010M01, 04010M02, 04010M03, 04010M09
22	* 4405010851	PER: 04010M04, 04010M05, 04010M06, 04010M12
22	* 4405011120	PER: 04010M10, 04010M11, 04010M12
23	* 4405010964	PER: 04010M01, 04010M02, 04010M03, 04010M09
23	* 4405010963	PER: 04010M04, 04010M05, 04010M06
23	* 4405010961	PER: 04010M10, 04010M11
23	* 4405010962	PER: 04010M12
24	* 4405011210	PER: 04010M01
24	* 4405011211	PER: 04010M02, 04010M03, 04010M04
24	* 4405011212	PER: 04010M05
24	* 4405011123	PER: 04010M06
25	* 4405011213	PER: 04010M01, 04010M02, 04010M03, 04010M04, 04010M05, 04010M06
25	* 4405010848	PER: 04010M09, 04010M10, 04010M11, 04010M12

EINZELTEILE

ÜBER.: 4

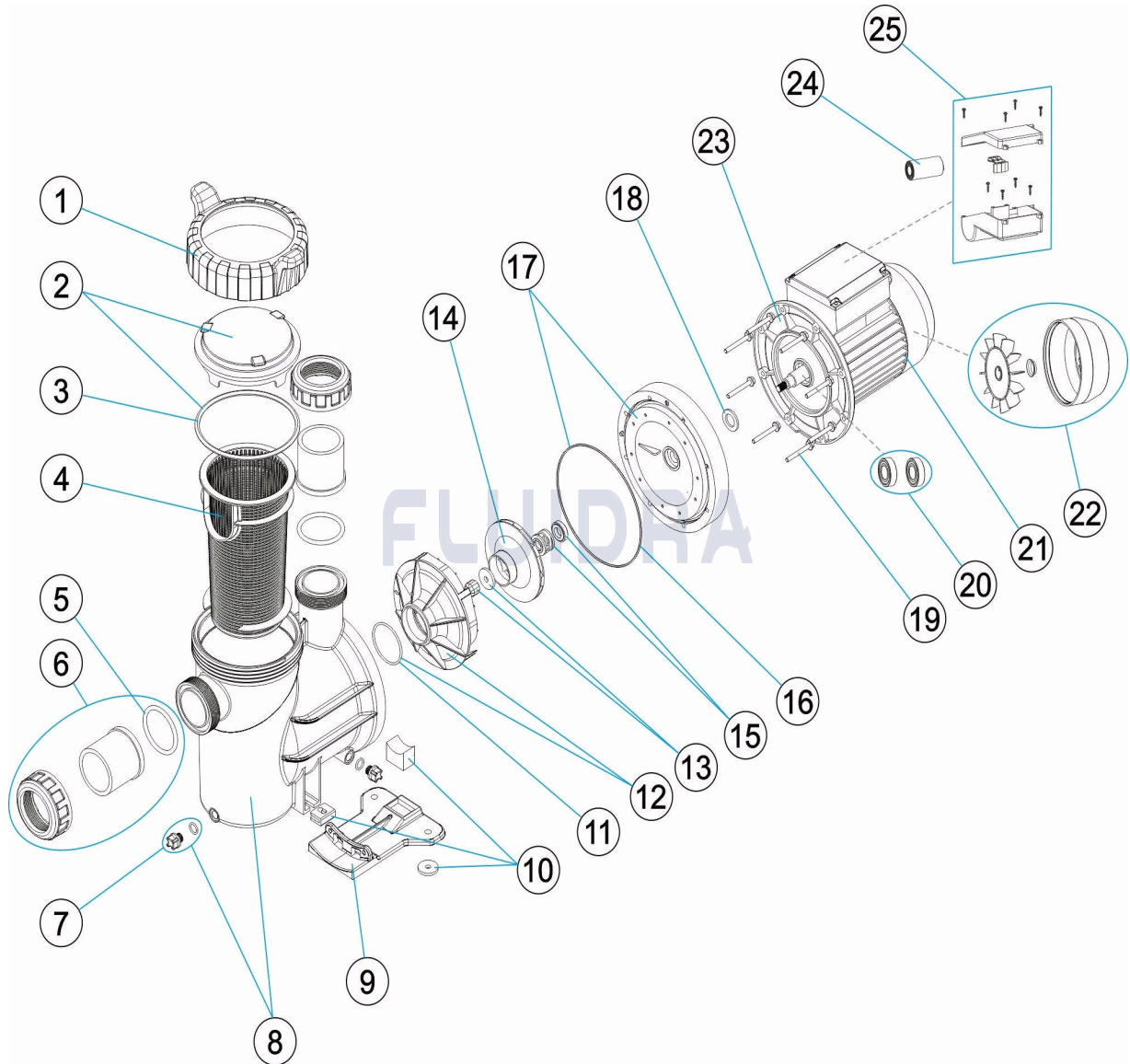
1225

DATUM: 22/12/2021

BLATT: 1/3

CODE **04010M01, 04010M02, 04010M03, 04010M04, 04010M05, 04010M06,
04010M09, 04010M10, 04010M11, 04010M12**

BESCHREIBUNG: **PUMPE MRT**



DEUTSCH

POS	CODE	BESCHREIBUNG	MENGE	POS	CODE	BESCHREIBUNG	MENGE
1	4405010788	MUTTER ABDECKUNG		13	4405010779	STOPFEN LAUFRAD	
2	4405010789	VORFILTERDECKEL		14	* 4405011135	LAUFRAD 0,5 CV II 50 HZ	
3	4405010772	O-RING D. 151,7 X 6,99		14	* 4405011136	LAUFRAD 0,75 CV II 50 HZ	
4	4405011103	VORFILTERKORB		14	* 4405011137	LAUFRAD 1 CV II 50 HZ	
5	4405010773	O-RING NIPPEL		14	* 4405011139	LAUFRAD 1,5 CV II 50 HZ	
6	* 4405010774	ANSCHLUSSZUBEHÖR D. 50		14	* 4405011141	LAUFRAD 2 CV II 50 HZ	
6	* 4405010775	ANSCHLUSSZUBEHÖR D. 63		14	* 4405011143	LAUFRAD 3 CV II 50 HZ	
7	4405010090	ABLASSSTOPFEN		14	* 4405011140	LAUFRAD 1,5 CV III 50 HZ	
8	4405010776	PUMPENGHÄUSE		14	* 4405011138	LAUFRAD 1 CV III 50 HZ	
9	4405010790	PUMPENFUSS		14	* 4405011142	LAUFRAD 2 CV III 50 HZ	
10	* 4405010791	VERBINDUNG HYDRAULIK-FUSS 0,75 - 1 H		14	* 4405011144	LAUFRAD 3 CV III 50 HZ	
10	* 4405010792	VERBINDUNG HYDRAULIK-FUSS 1,5 HP - 3		15	4405011112	GLEITRINGDICHTUNG D. 15	

* SIEHE ANMERKUNGSBLATT

EINZELTEILE

ÜBER.: 4

1225

DATUM: 22/12/2021

BLATT: 2/3

CODE **04010M01, 04010M02, 04010M03, 04010M04, 04010M05, 04010M06,
04010M09, 04010M10, 04010M11, 04010M12**

BESCHREIBUNG: **PUMPE MRT**

11	4405010161	O-RING D. 56,7 X 3,5	16	4405010781	DICHTUNG MOTORFLANSCH
12	* 4405011133	WASSERVERTEILER 0,5 - 1,5 HP	17	4405010793	GLEITRINGDICHTUNG SCHLIESSVORRICHT
12	* 4405011134	WASSERVERTEILER 2 - 3 HP	18	4405010786	BEILAGSCHEIBE C,71 ½ - 1 HP
19	4405010794	VERBINDUNGSSCHRAUBEN MOTOR	23	* 4405010964	MOTORDECKEL
20	* 4405010968	SET WÄZLAGER	23	* 4405010963	MOTORDECKEL
20	* 4405010863	WÄZLAGER 0,33-0,55 HP	23	* 4405010961	MOTORDECKEL
21	* 4405010965	MOTORDECKEL	23	* 4405010962	MOTORDECKEL
21	* 4405011131	MOTORDECKEL HINTEN C.71 (1,5 - 3 HP II)	24	* 4405011210	KONDENSATOR 12 UF (1/2 HP)
21	* 4405010966	MOTORDECKEL	24	* 4405011211	KONDENSATOR 20 UF (3/4 - 1 HP LL)
21	* 4405010967	MOTORDECKEL	24	* 4405011212	KONDENSATOR 25 UF (2 HP LL)
22	* 4405011209	SET VENTILATOR MIT ABDECKUNG (1/3 - 1	24	* 4405011123	KONDENSATOR 35 UF (3 HP)
22	* 4405010851	SET VENTILATORDECKEL	25	* 4405011213	SET KLEMMSCHRANK II
22	* 4405011120	VENTILATORDECKEL MIT VENTILDOR (1,5	25	* 4405010848	ANSCHLUSS-SCHRANK

* SIEHE ANMERKUNGSBLATT

EINZELTEILE

ÜBER.: 4

1225

DATUM: 22/12/2021

BLATT: 3/3

CODE **04010M01, 04010M02, 04010M03, 04010M04, 04010M05, 04010M06,
04010M09, 04010M10, 04010M11, 04010M12**

BESCHREIBUNG: **PUMPE MRT**

HINWEISE

POS	CODE	HINWEISE
6	* 4405010774	FÜR: 04010M01, 04010M02, 04010M03, 04010M09
6	* 4405010775	FÜR: 04010M04, 04010M05, 04010M06, 04010M10, 04010M11, 04010M12
10	* 4405010791	FÜR: 04010M01, 04010M02, 04010M03, 04010M09
10	* 4405010792	FÜR: 04010M04, 04010M05, 04010M06, 04010M10, 04010M11, 04010M12
12	* 4405011133	FÜR: 04010M01, 04010M02, 04010M03, 04010M04, 04010M09, 04010M10
12	* 4405011134	FÜR: 04010M05, 04010M06, 04010M11, 04010M12
14	* 4405011135	FÜR: 04010M01
14	* 4405011136	FÜR: 04010M02
14	* 4405011137	FÜR: 04010M03
14	* 4405011139	FÜR: 04010M04
14	* 4405011141	FÜR: 04010M05
14	* 4405011143	FÜR: 04010M06
14	* 4405011140	FÜR: 04010M09
14	* 4405011138	FÜR: 04010M10
14	* 4405011142	FÜR: 04010M11
14	* 4405011144	FÜR: 04010M12
20	* 4405010968	FÜR: 04010M01, 04010M02, 04010M03, 04010M09
20	* 4405010863	FÜR: 04010M04, 04010M05, 04010M06, 04010M10, 04010M11, 04010M12
21	* 4405010965	FÜR: 04010M01, 04010M02, 04010M03, 04010M09
21	* 4405011131	FÜR: 04010M04, 04010M05, 04010M06
21	* 4405010966	FÜR: 04010M10, 04010M11
21	* 4405010967	FÜR: 04010M12
22	* 4405011209	FÜR: 04010M01, 04010M02, 04010M03, 04010M09
22	* 4405010851	FÜR: 04010M04, 04010M05, 04010M06, 04010M12
22	* 4405011120	FÜR: 04010M10, 04010M11, 04010M12
23	* 4405010964	FÜR: 04010M01, 04010M02, 04010M03, 04010M09
23	* 4405010963	FÜR: 04010M04, 04010M05, 04010M06
23	* 4405010961	FÜR: 04010M10, 04010M11
23	* 4405010962	FÜR: 04010M12
24	* 4405011210	FÜR: 04010M01
24	* 4405011211	FÜR: 04010M02, 04010M03, 04010M04
24	* 4405011212	FÜR: 04010M05
24	* 4405011123	FÜR: 04010M06
25	* 4405011213	FÜR: 04010M01, 04010M02, 04010M03, 04010M04, 04010M05, 04010M06
25	* 4405010848	FÜR: 04010M09, 04010M10, 04010M11, 04010M12

ITEM

REV.: 4

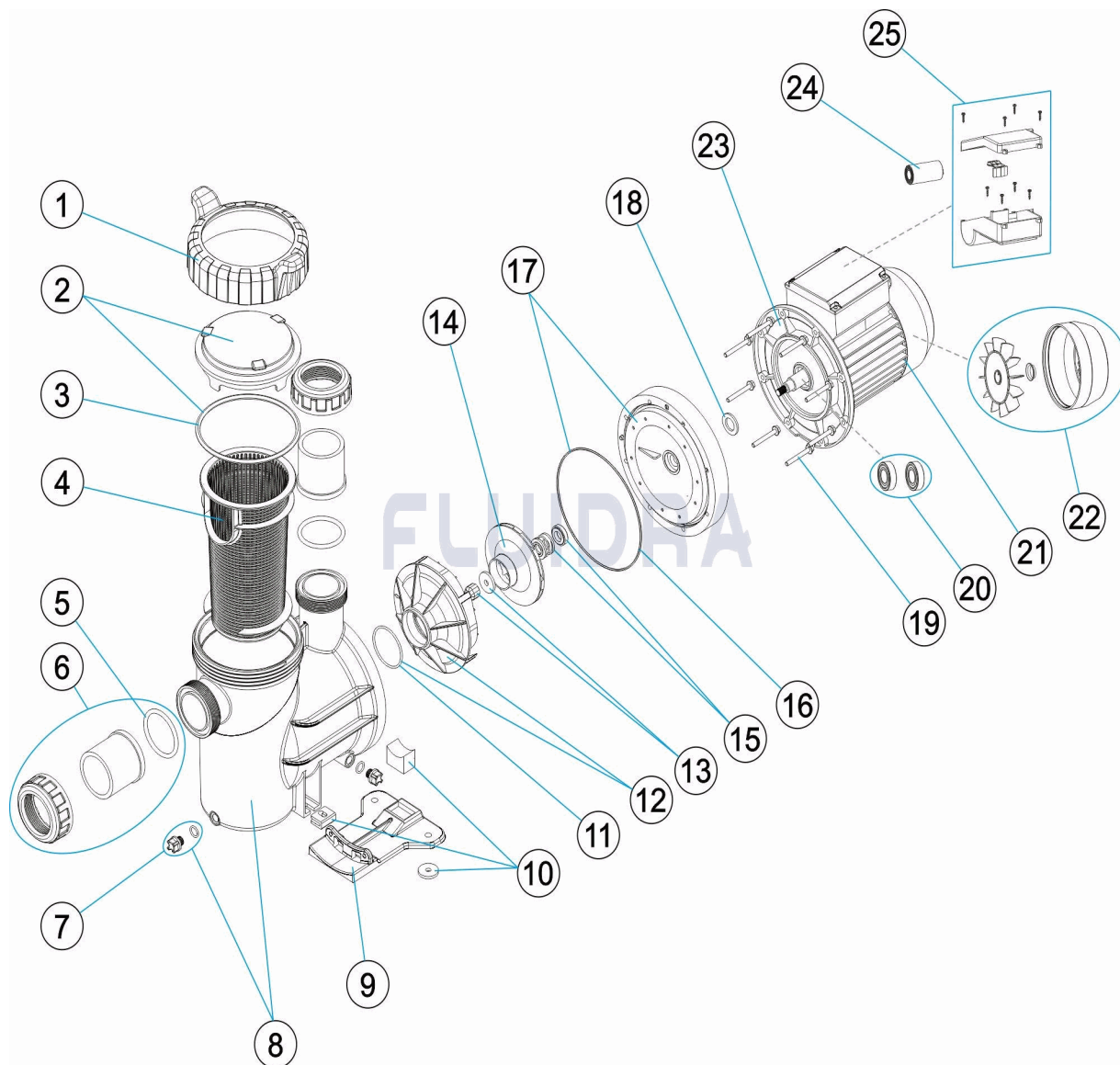
1225

DATA: 22/12/2021

FOLHA: 1/3

CODIGO **04010M01, 04010M02, 04010M03, 04010M04, 04010M05, 04010M06,
04010M09, 04010M10, 04010M11, 04010M12**

DESCRIÇÃO: **BOMBA MRT**



PORTUGUES

POS	CODIGO	DESCRIÇÃO	JANTIDADE	POS	CODIGO	DESCRIÇÃO	JANTIDADE
1	4405010788	PORCA TAMPA		13	4405010779	TAMPO RODIZI	
2	4405010789	TAMPA PRÉ-FILTRO		14	* 4405011135	RODÍZIO 0,5 HP. II 50 HZ	
3	4405010772	JUNTA TÓRICA D 151,7X6,99		14	* 4405011136	RODÍZIO 0,75 HP. II 50 HZ	
4	4405011103	CESTO PRÉ-FILTRO		14	* 4405011137	RODÍZIO 1 HP. II 50 HZ	
5	4405010773	JUNTA DE UNIÃO		14	* 4405011139	RODÍZIO 1,5 HP. II 50 HZ	
6	* 4405010774	ACESSÓRIOS DE UNIÃO D 50		14	* 4405011141	RODÍZIO 2 HP. II 50 HZ	
6	* 4405010775	ACESSÓRIOS DE UNIÃO D 63		14	* 4405011143	RODÍZIO 3 HP. II 50 HZ	
7	4405010090	TAMPÃO PURGA		14	* 4405011140	RODÍZIO 1,5 HP. III 50 HZ	
8	4405010776	CORPO BOMBA		14	* 4405011138	RODÍZIO 1 HP. III 50 HZ	
9	4405010790	PÉ BOMBA		14	* 4405011142	RODÍZIO 2 HP. III 50 HZ	
10	* 4405010791	UNIÃO HIDRÁULICA PIE 0,75 - 1 HP		14	* 4405011144	RODÍZIO 3 HP. III 50 HZ	
10	* 4405010792	UNIÃO HIDRÁULICA PIE 1,5 HP - 3 HP		15	4405011112	JUNTA MECÂNICA D-15	

* VEJA A FICHA DE OBSERVAÇÕES

ITEM

REV.: 4

1225

DATA: 22/12/2021

FOLHA: 2/3

CODIGO **04010M01, 04010M02, 04010M03, 04010M04, 04010M05, 04010M06,
04010M09, 04010M10, 04010M11, 04010M12**

DESCRIÇÃO: **BOMBA MRT**

11	4405010161	JUNTA TÓRICA D 56,7X3,5	16	4405010781	JUNTA MANILHA MOTOR
12	* 4405011133	DIFUSOR 0,5-1,5 HP.	17	4405010793	BRIDA SELO MECANICO
12	* 4405011134	DIFUSOR 2-3 HP.	18	4405010786	ANILHA DEFLECTORA C.71 ½-1 HP
19	4405010794	PARAFUSO MOTOR	23	* 4405010964	TAMPA MOTOR
20	* 4405010968	CONJUNTO ROLAMENTO	23	* 4405010963	TAMPA MOTOR
20	* 4405010863	ROLAMIENTOS 0,33-0,55 HP	23	* 4405010961	TAMPA MOTOR
21	* 4405010965	TAMPA MOTOR	23	* 4405010962	TAMPA MOTOR
21	* 4405011131	TAMPA TRASEIRA MOTOR (1,5-3 HP II)	24	* 4405011210	CONDENSADOR 12 UF (1/2 HP)
21	* 4405010966	TAMPA MOTOR	24	* 4405011211	CONDENSADOR 20 UF (3/4 - 1 HP LL)
21	* 4405010967	TAMPA MOTOR	24	* 4405011212	CONDENSATORE 25 UF (2 HP LL)
22	* 4405011209	CONJUNTO VENTILADOR + TAMPA (1/3 - 1,	24	* 4405011123	CONDENSADOR 35 UF (3 HP)
22	* 4405010851	TAMPA VENTILADOR + VENTILADOR	25	* 4405011213	CONJUNTO CAIXA LIGAÇÕES II
22	* 4405011120	TAMPA VENTILADOR + VENTILADOR (1,5 -	25	* 4405010848	CAIXA LIGAÇÕES

* VEJA A FICHA DE OBSERVAÇÕES

ITEM

REV.: 4

1225

DATA: 22/12/2021

FOLHA: 3/3

CODIGO **04010M01, 04010M02, 04010M03, 04010M04, 04010M05, 04010M06,
04010M09, 04010M10, 04010M11, 04010M12**

DESCRIÇÃO: **BOMBA MRT**

OBSERVAÇÕES

POS	CODIGO	OBSERVAÇÕES
6	* 4405010774	PARA: 04010M01, 04010M02, 04010M03, 04010M09
6	* 4405010775	PARA: 04010M04, 04010M05, 04010M06, 04010M10, 04010M11, 04010M12
10	* 4405010791	PARA: 04010M01, 04010M02, 04010M03, 04010M09
10	* 4405010792	PARA: 04010M04, 04010M05, 04010M06, 04010M10, 04010M11, 04010M12
12	* 4405011133	PARA: 04010M01, 04010M02, 04010M03, 04010M04, 04010M09, 04010M10
12	* 4405011134	PARA: 04010M05, 04010M06, 04010M11, 04010M12
14	* 4405011135	PARA: 04010M01
14	* 4405011136	PARA: 04010M02
14	* 4405011137	PARA: 04010M03
14	* 4405011139	PARA: 04010M04
14	* 4405011141	PARA: 04010M05
14	* 4405011143	PARA: 04010M06
14	* 4405011140	PARA: 04010M09
14	* 4405011138	PARA: 04010M10
14	* 4405011142	PARA: 04010M11
14	* 4405011144	PARA: 04010M12
20	* 4405010968	PARA: 04010M01, 04010M02, 04010M03, 04010M09
20	* 4405010863	PARA: 04010M04, 04010M05, 04010M06, 04010M10, 04010M11, 04010M12
21	* 4405010965	PARA: 04010M01, 04010M02, 04010M03, 04010M09
21	* 4405011131	PARA: 04010M04, 04010M05, 04010M06
21	* 4405010966	PARA: 04010M10, 04010M11
21	* 4405010967	PARA: 04010M12
22	* 4405011209	PARA: 04010M01, 04010M02, 04010M03, 04010M09
22	* 4405010851	PARA: 04010M04, 04010M05, 04010M06, 04010M12
22	* 4405011120	PARA: 04010M10, 04010M11, 04010M12
23	* 4405010964	PARA: 04010M01, 04010M02, 04010M03, 04010M09
23	* 4405010963	PARA: 04010M04, 04010M05, 04010M06
23	* 4405010961	PARA: 04010M10, 04010M11
23	* 4405010962	PARA: 04010M12
24	* 4405011210	PARA: 04010M01
24	* 4405011211	PARA: 04010M02, 04010M03, 04010M04
24	* 4405011212	PARA: 04010M05
24	* 4405011123	PARA: 04010M06
25	* 4405011213	PARA: 04010M01, 04010M02, 04010M03, 04010M04, 04010M05, 04010M06
25	* 4405010848	PARA: 04010M09, 04010M10, 04010M11, 04010M12