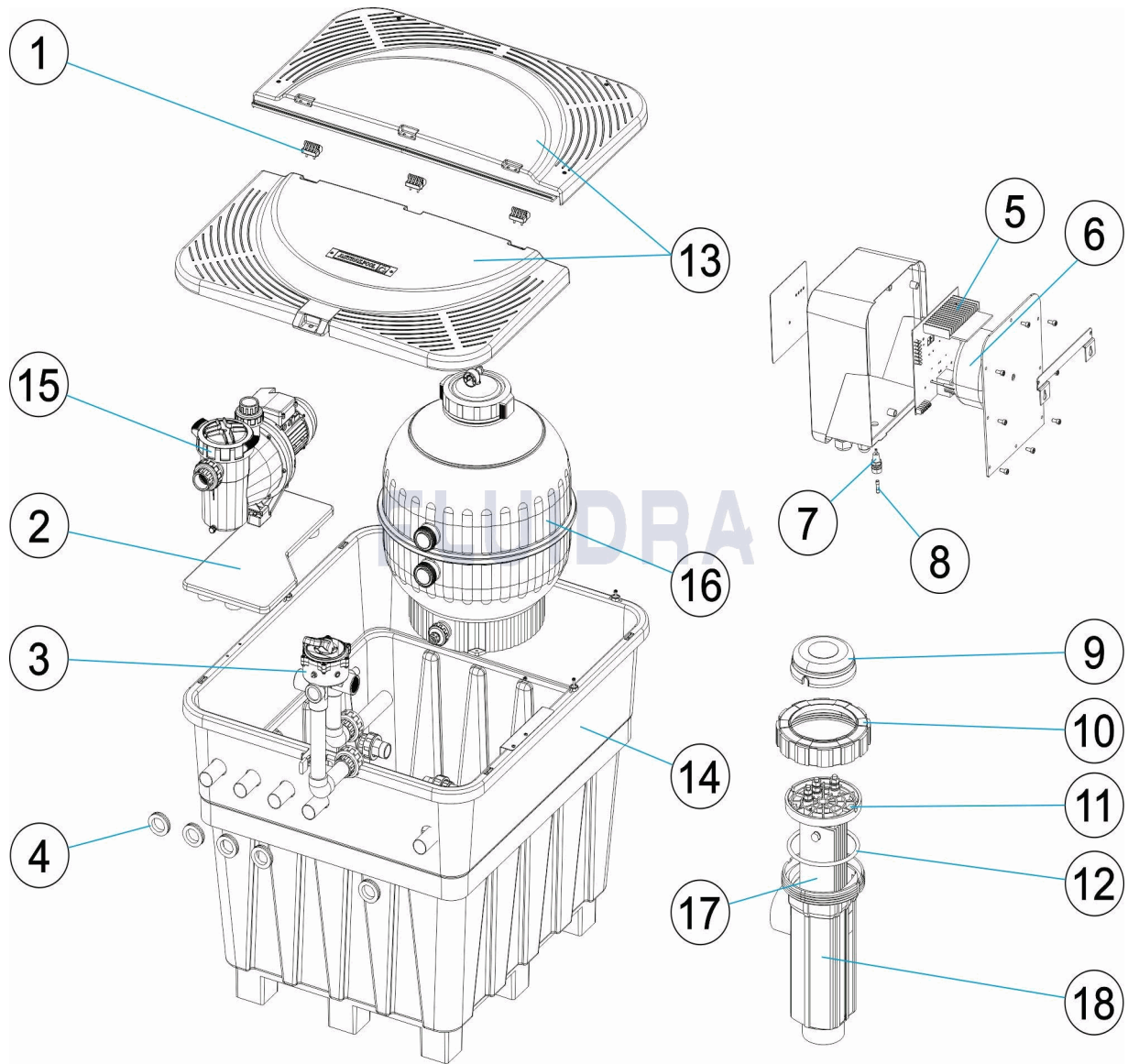


CODIGO **69832**

DESCRIPCION: **CASETA KEOPS CANT 600**

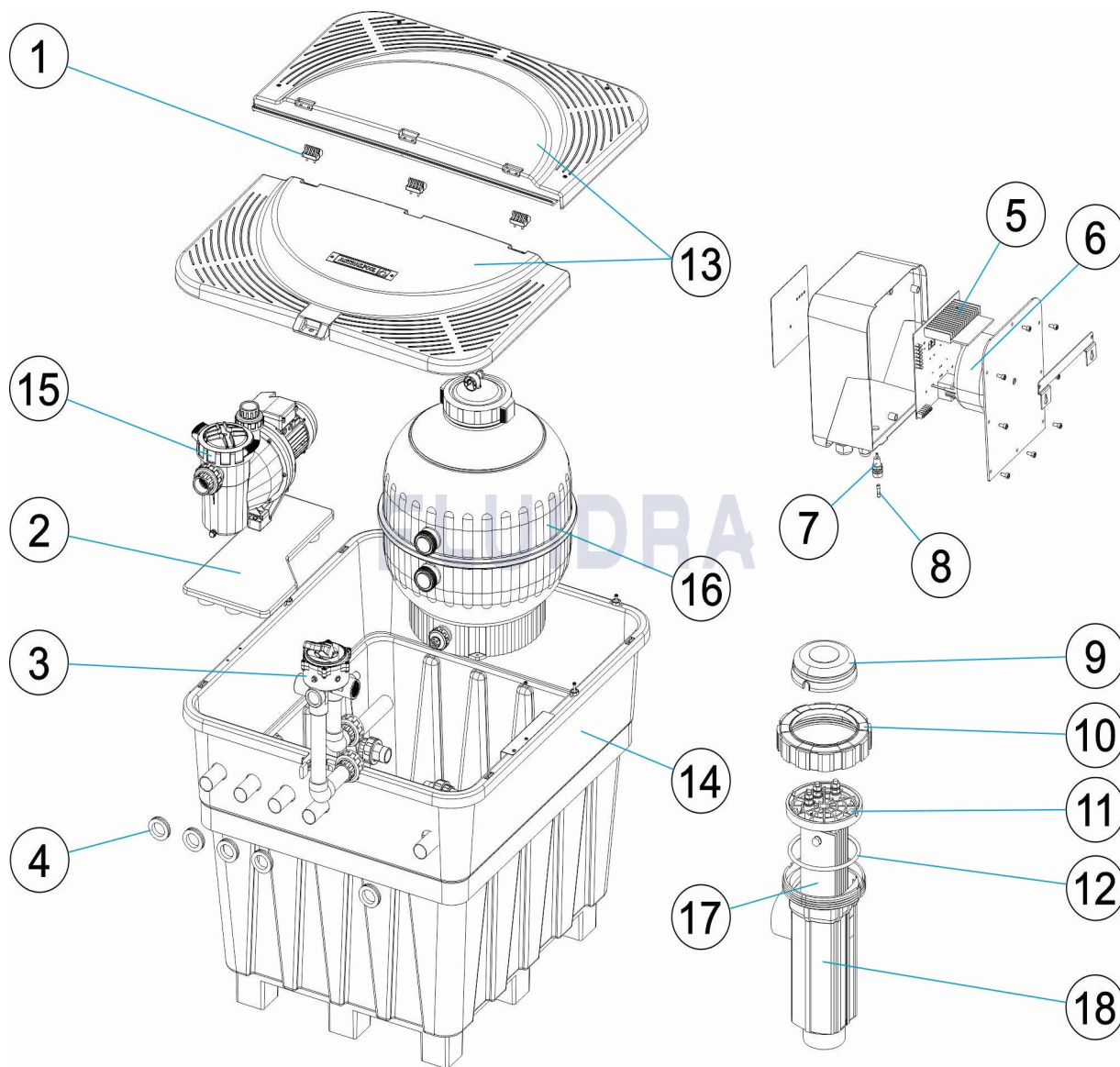


**ESPAÑOL**

| POS | CODIGO     | DESCRIPCION              | CANTIDAD | POS | CODIGO     | DESCRIPCION                  | CANTIDAD |
|-----|------------|--------------------------|----------|-----|------------|------------------------------|----------|
| 1   | 4404310000 | CJTO. BISAGRAS           |          | 10  | 4408040508 | TUERCA CIERRE CELULA         |          |
| 2   | 4404310001 | SOPORTE BOMBA            |          | 11  | 4408040272 | SOPORTE ELECTRODO BIP        |          |
| 3   | 4404310003 | CJTO VALVULA             |          | 12  | 4408040510 | JUNTA VASO EPDM.             |          |
| 4   | 4404250107 | PASATUBO D.50            |          | 13  | 41479R0002 | TAPA CASETA KEOPS            |          |
| 5   | 4408040341 | PBA TC LC 21GR           |          | 14  | 41479R0001 | CUERPO CASETA KEOPS          |          |
| 6   | 4408040267 | TRANSFORMADOR 230VA      |          | 15  | 65557      | BOMBA VICTORIA PLUS SILENT   |          |
| 7   | 4408040523 | PORTAFUSIBLE 5X20 CHASIS |          | 16  | 15783      | FILTRO CANTABRIC 400 500 600 |          |
| 8   | 4408041113 | FUSIBLE 2A               |          | 17  | 70328      | RECAMBIO ELECTRODO           |          |
| 9   | 4408040509 | PROTECTOR CONTACTOS      |          | 18  | 57655      | CELULA PORTA ELECTRODOS      |          |

CODE 69832

DESCRIPTION: BOÎTIER KEOPS CANT 600

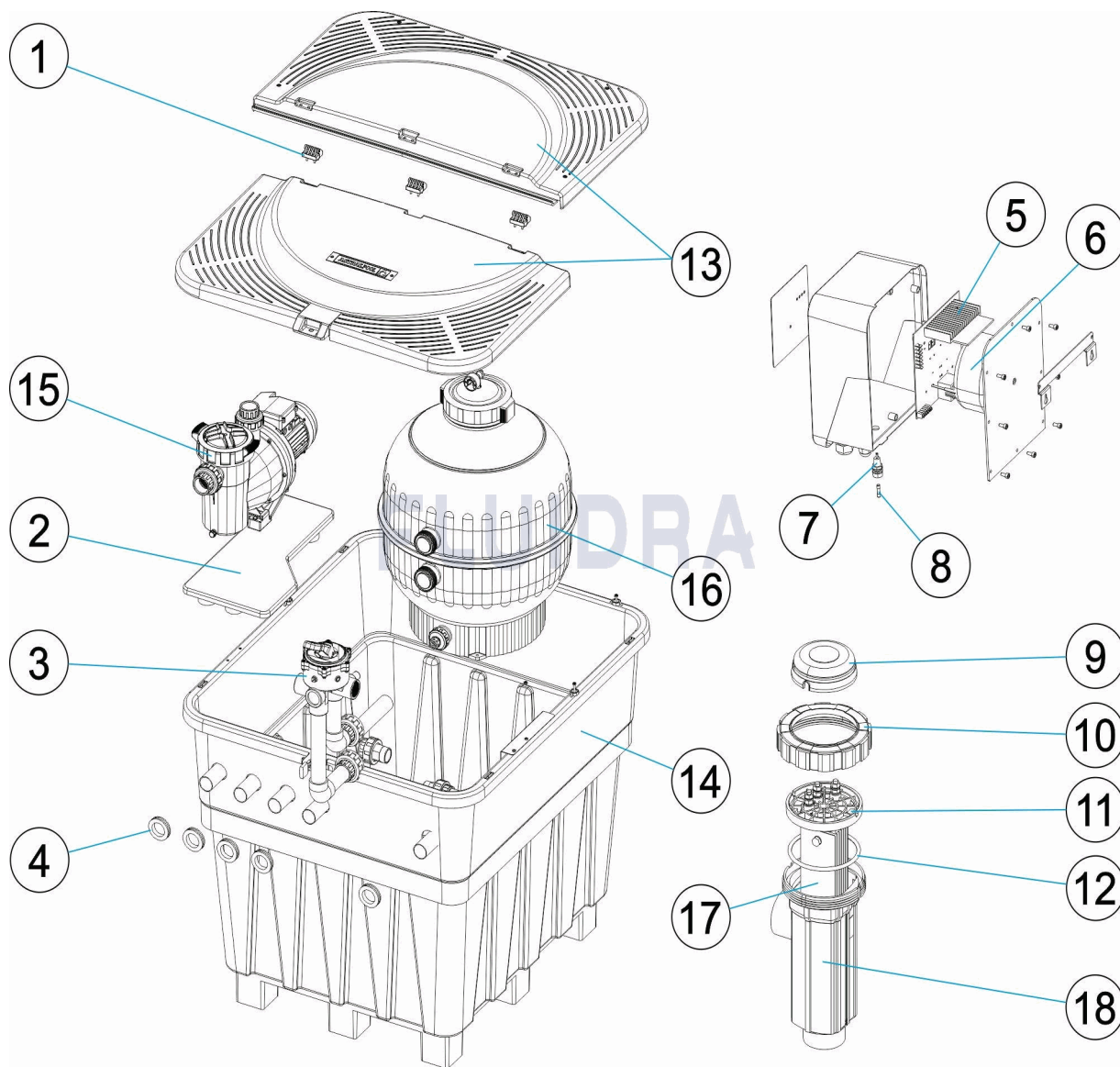


FRANCAIS

| POS | CODE       | DESCRIPTION                    | QUANTITE | POS | CODE       | DESCRIPTION                       | QUANTITE |
|-----|------------|--------------------------------|----------|-----|------------|-----------------------------------|----------|
| 1   | 4404310000 | ENSEMBLE CHARNIERES            |          | 10  | 4408040508 | ECRU FERMETURE CELLULE            |          |
| 2   | 4404310001 | SUPPORT DE POMPE               |          | 11  | 4408040272 | ÉLECTRODES DE RECHANGE SUPPORT BI |          |
| 3   | 4404310003 | ENS. VANNE                     |          | 12  | 4408040510 | JOINT VASE EPDM                   |          |
| 4   | 4404250107 | CONDUIT CONNECTOR D.50         |          | 13  | 41479R0002 | COUVERCLE KEOPS                   |          |
| 5   | 4408040341 | PBA TC LC 21GR                 |          | 14  | 41479R0001 | CORPS LOCAUX TECHNIQUE KEOPS      |          |
| 6   | 4408040267 | TRANSFORMATEUR PUISSANCE 230VA |          | 15  | 65557      | POMPE VICTORIA PLUS SILENT        |          |
| 7   | 4408040523 | PORTE-FUSIBLES 5X20 CHASSIS    |          | 16  | 15783      | FILTRE CANTABRIC 400 500 600      |          |
| 8   | 4408041113 | FUSIBLE 2A                     |          | 17  | 70328      | RECHANGE ÉLECTRODE                |          |
| 9   | 4408040509 | PROTECTEUR CONTACTS            |          | 18  | 57655      | CELLULE PORTE-ÉLECTRODE           |          |

CODE **69832**

DESCRIPTION: **CANT 600 KEOPS COMPACT HOUSING**

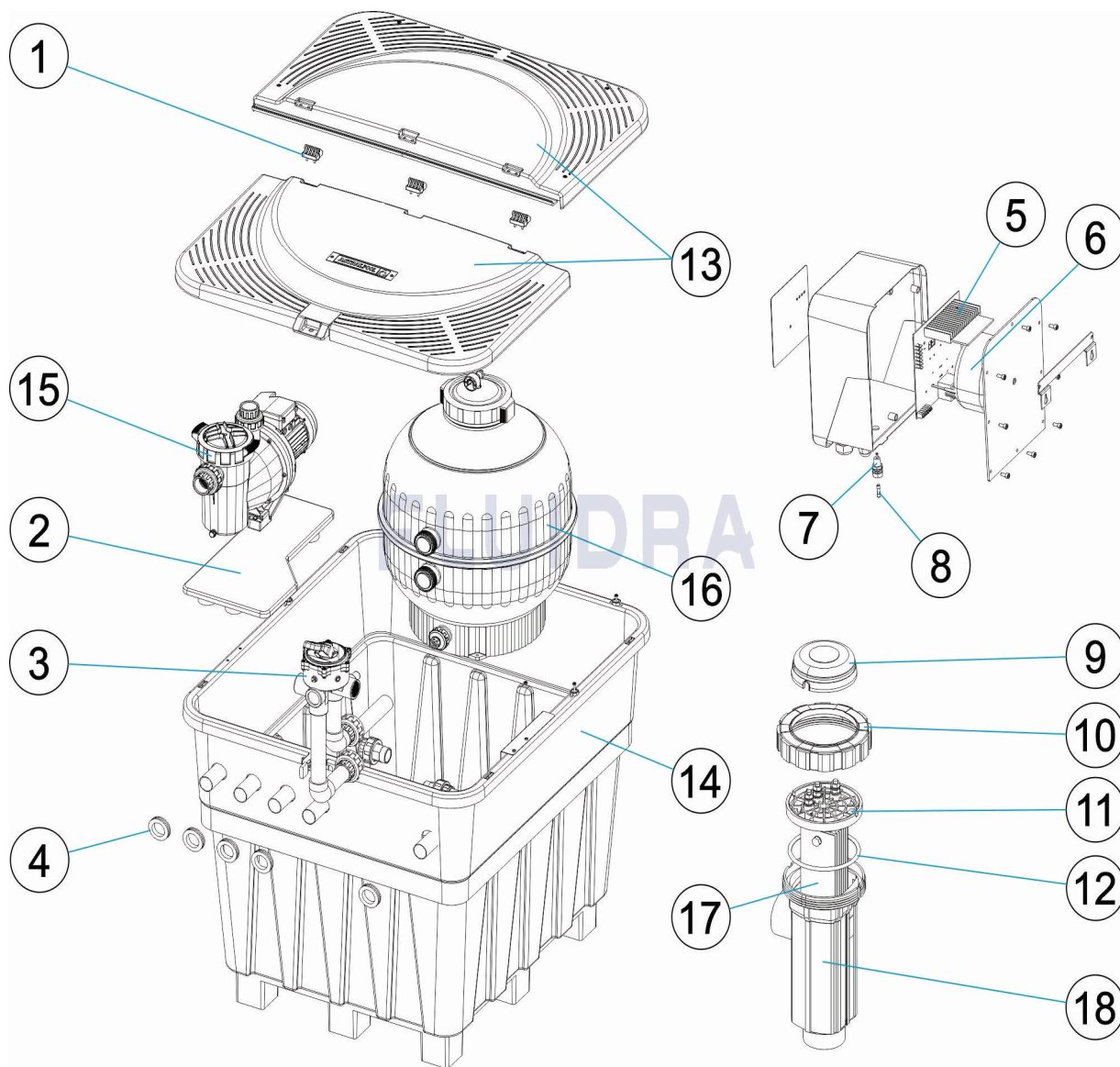


**ENGLISH**

| POS | CODE       | DESCRIPTION              | QUANTITY | POS | CODE       | DESCRIPTION                  | QUANTITY |
|-----|------------|--------------------------|----------|-----|------------|------------------------------|----------|
| 1   | 4404310000 | HINGE UNIT               |          | 10  | 4408040508 | CLOSINGNUT FOR CELL          |          |
| 2   | 4404310001 | PUMP SUPPORT             |          | 11  | 4408040272 | BIP ELECTRODE HOLDER         |          |
| 3   | 4404310003 | VALVE UNIT               |          | 12  | 4408040510 | CELL EPDM GASKET             |          |
| 4   | 4404250107 | GUIDE TUBE D.50          |          | 13  | 41479R0002 | KEOPS COMPACT HOUSING LID    |          |
| 5   | 4408040341 | PBA TC LC 21GR           |          | 14  | 41479R0001 | KEOPS COMPACT HOUSING BODY   |          |
| 6   | 4408040267 | POWER TRANSFORMER 230 VA |          | 15  | 65557      | VICTORIA PLUS SILENT PUMP    |          |
| 7   | 4408040523 | FUSE HOLDER 5X20         |          | 16  | 15783      | CANTABRIC FILTER 400 500 600 |          |
| 8   | 4408041113 | FUSE 2A                  |          | 17  | 70328      | ELECTRODE SPARE              |          |
| 9   | 4408040509 | CONTACT PROTECTION       |          | 18  | 57655      | ELECTRODE CELL               |          |

CODICE 69832

DESCRIZIONE: SPOGKIATOIO KEOPS CANT 600



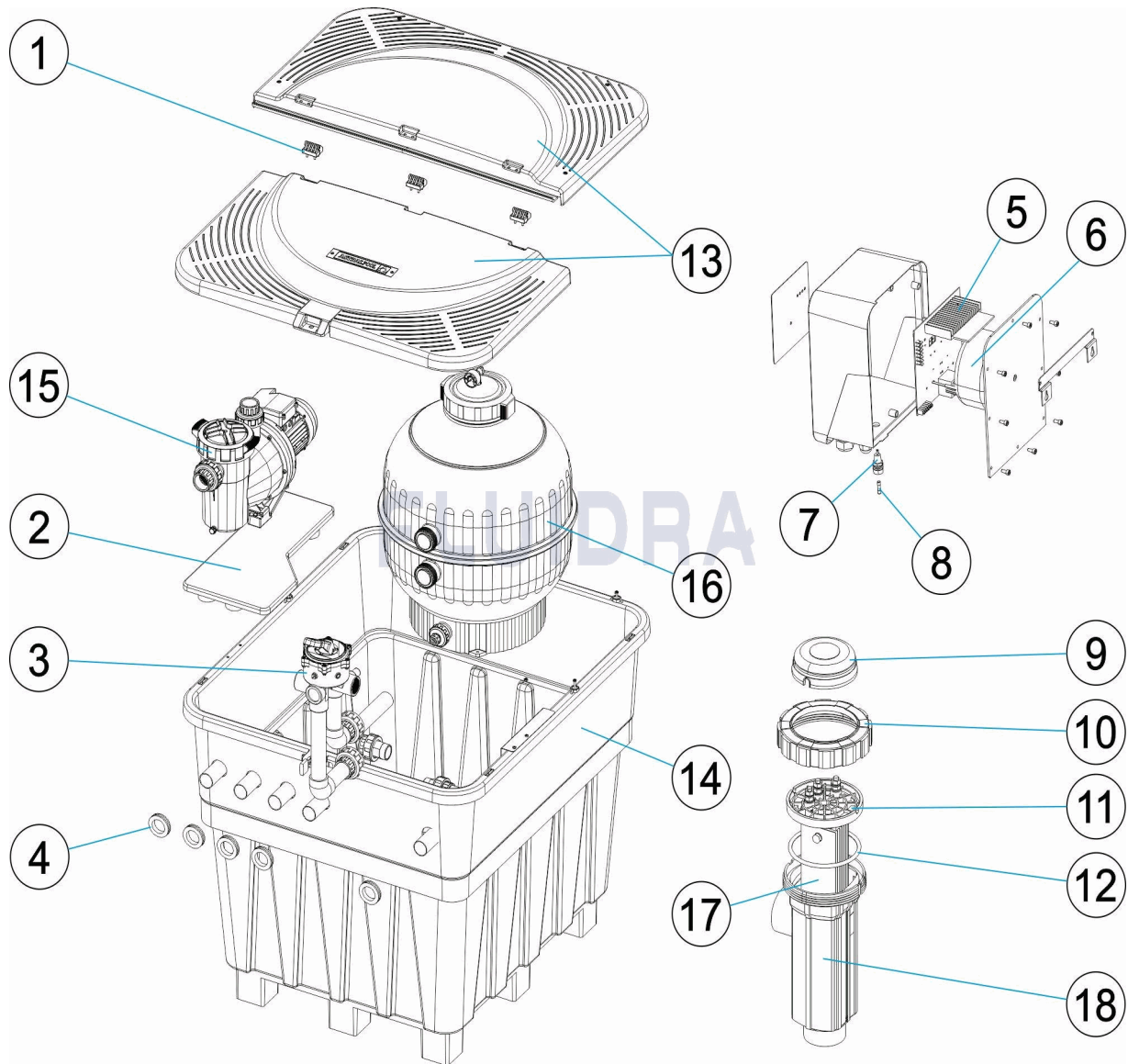
ITALIANO

| POS | CODICE     | DESCRIZIONE                   | QUANTITA' | POS | CODICE     | DESCRIZIONE                        | QUANTITA' |
|-----|------------|-------------------------------|-----------|-----|------------|------------------------------------|-----------|
| 1   | 4404310000 | KIT CERNIERE                  |           | 10  | 4408040508 | GHIERA CHIUSURA CELLA              |           |
| 2   | 4404310001 | SUPPORTO POMPA                |           | 11  | 4408040272 | ELETTRODI DI RICAMBIO SOSTEGNO BIP |           |
| 3   | 4404310003 | COMPLESSO VALVOLA             |           | 12  | 4408040510 | GUARNICIONE COPERCHIO CELLA        |           |
| 4   | 4404250107 | GUARNIZIONE SANDWICH D. 50    |           | 13  | 41479R0002 | COPERCHIO CONTENITORE KEOPS        |           |
| 5   | 4408040341 | PBA TC LC 21GR                |           | 14  | 41479R0001 | CORPO CONTENITORE KEOPS            |           |
| 6   | 4408040267 | TRANSFORMATORE POTENZA 230 VA |           | 15  | 65557      | POMPA VICTORIA PLUS SILENT         |           |
| 7   | 4408040523 | PORTAFUSIBILI 5X20 CORPO      |           | 16  | 15783      | FILTRO CANTABRIC 400 500 600       |           |
| 8   | 4408041113 | FUSIVILE 2A                   |           | 17  | 70328      | RECAMBIO ELETTRODO                 |           |
| 9   | 4408040509 | PROTECTORE CONTATTI           |           | 18  | 57655      | CELLA PORTAELETTRODI               |           |



CODE 69832

BESCHREIBUNG: GEHÄUSE KEOPS CANT 600

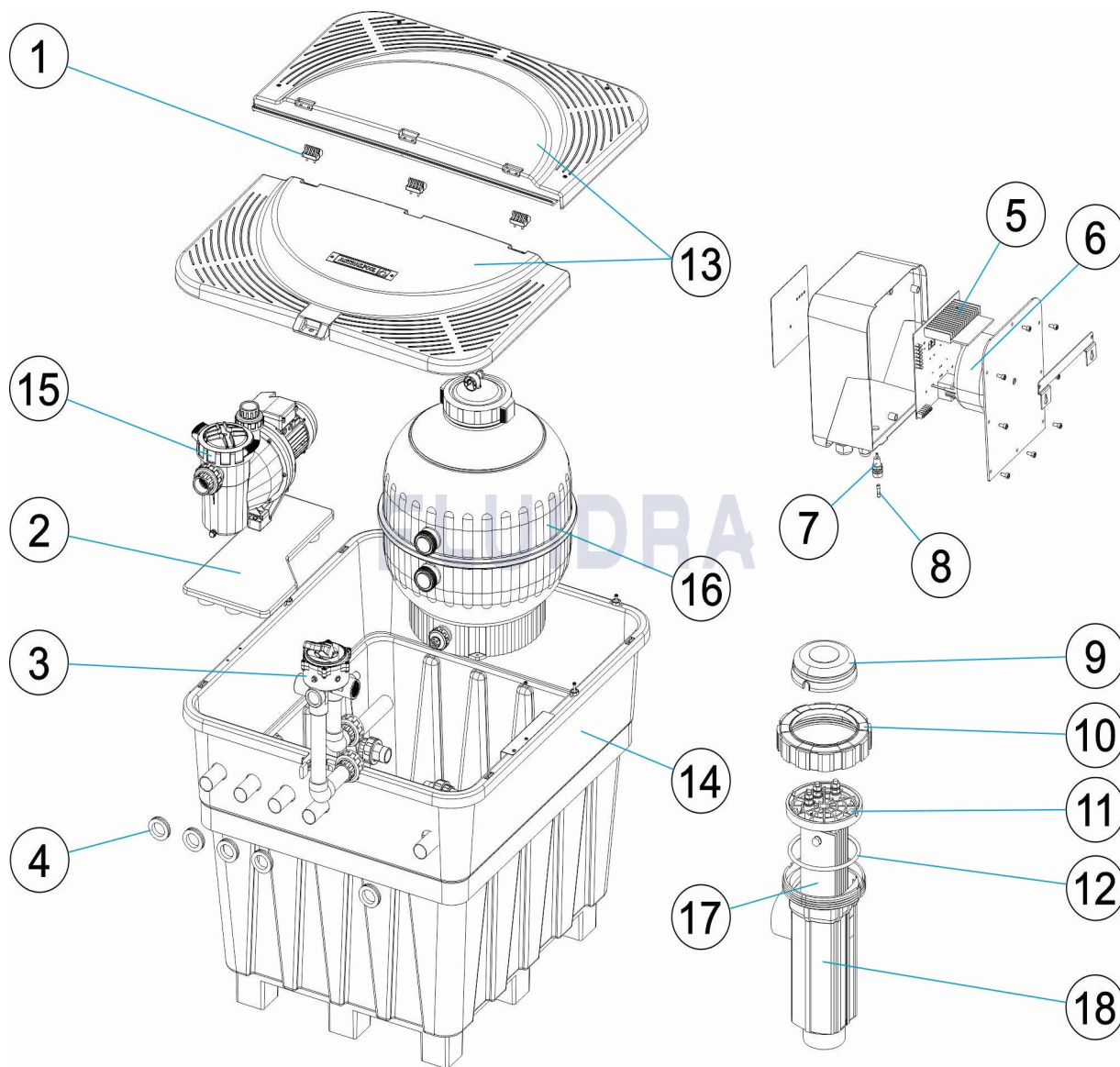


DEUTSCH

| POS | CODE       | BESCHREIBUNG                 | MENGE | POS | CODE       | BESCHREIBUNG                     | MENGE |
|-----|------------|------------------------------|-------|-----|------------|----------------------------------|-------|
| 1   | 4404310000 | SET SCHARNIERE               |       | 10  | 4408040508 | MUTTER SCHLIESSVORRICHTUNG ZELLE |       |
| 2   | 4404310001 | HALTERUNG PUMPE              |       | 11  | 4408040272 | HALTERUNG ELEKTRODE BIP          |       |
| 3   | 4404310003 | SET VENTIL                   |       | 12  | 4408040510 | DICHTUNG GEHÄUSE EPDM            |       |
| 4   | 4404250107 | ROHRDURCHFÜHRUNG D. 50       |       | 13  | 41479R0002 | ABDECKUNG GEHÄUSE KEOPS          |       |
| 5   | 4408040341 | PBA TC LC 21GR               |       | 14  | 41479R0001 | GEHÄUSE SCHRANK KEOPS            |       |
| 6   | 4408040267 | TRAFO 230 VA                 |       | 15  | 65557      | PUMPE VICTORIA PLUS SILENT       |       |
| 7   | 4408040523 | SICHERUNGSSITZ 5 X 20 RAHMEN |       | 16  | 15783      | FILTER CANTABRIC 400 500 600     |       |
| 8   | 4408041113 | SICHERUNG 2 A                |       | 17  | 70328      | ERSATZTEIL ELEKTRODE             |       |
| 9   | 4408040509 | KONTAKTSCHUTZ                |       | 18  | 57655      | ELEKTRODENZELLE                  |       |

CODIGO **69832**

DESCRIÇÃO: **CABINA KEOPS CANT 600**



**PORTUGUES**

| POS | CODIGO     | DESCRIÇÃO                    | JANTIDADE | POS        | CODIGO                           | DESCRIÇÃO | JANTIDADE |
|-----|------------|------------------------------|-----------|------------|----------------------------------|-----------|-----------|
| 1   | 4404310000 | CONJ. DOBRADIÇAS             | 10        | 4408040508 | TAMPA ROSCADA DE FECHO DA VASO   |           |           |
| 2   | 4404310001 | SUPORTE BOMBA                | 11        | 4408040272 | ELETRODOS DE REPOSIÇÃO APOIO BIP |           |           |
| 3   | 4404310003 | CJTO. VÁLVULA                | 12        | 4408040510 | JUNTA EPDM COPO                  |           |           |
| 4   | 4404250107 | PASSA-TUBO D.50              | 13        | 41479R0002 | TAMPA CASETA KEOPS               |           |           |
| 5   | 4408040341 | PBA TC LC 21GR               | 14        | 41479R0001 | CORPO CASOTA KEOPS               |           |           |
| 6   | 4408040267 | TRANSFORMADOR POTÊNCIA 230VA | 15        | 65557      | BOMBA VICTORIA PLUS SILENT       |           |           |
| 7   | 4408040523 | PORTAFUSIVEIS 5X20 CHASIS    | 16        | 15783      | FILTRO CANTABRIC 400 500 600     |           |           |
| 8   | 4408041113 | FUSÍVEL 2A                   | 17        | 70328      | SOBRESSALENTE ELÉCTRODO          |           |           |
| 9   | 4408040509 | PROTECTOR CONTACTOS          | 18        | 57655      | VASO PORTA-ELECTRODOS            |           |           |