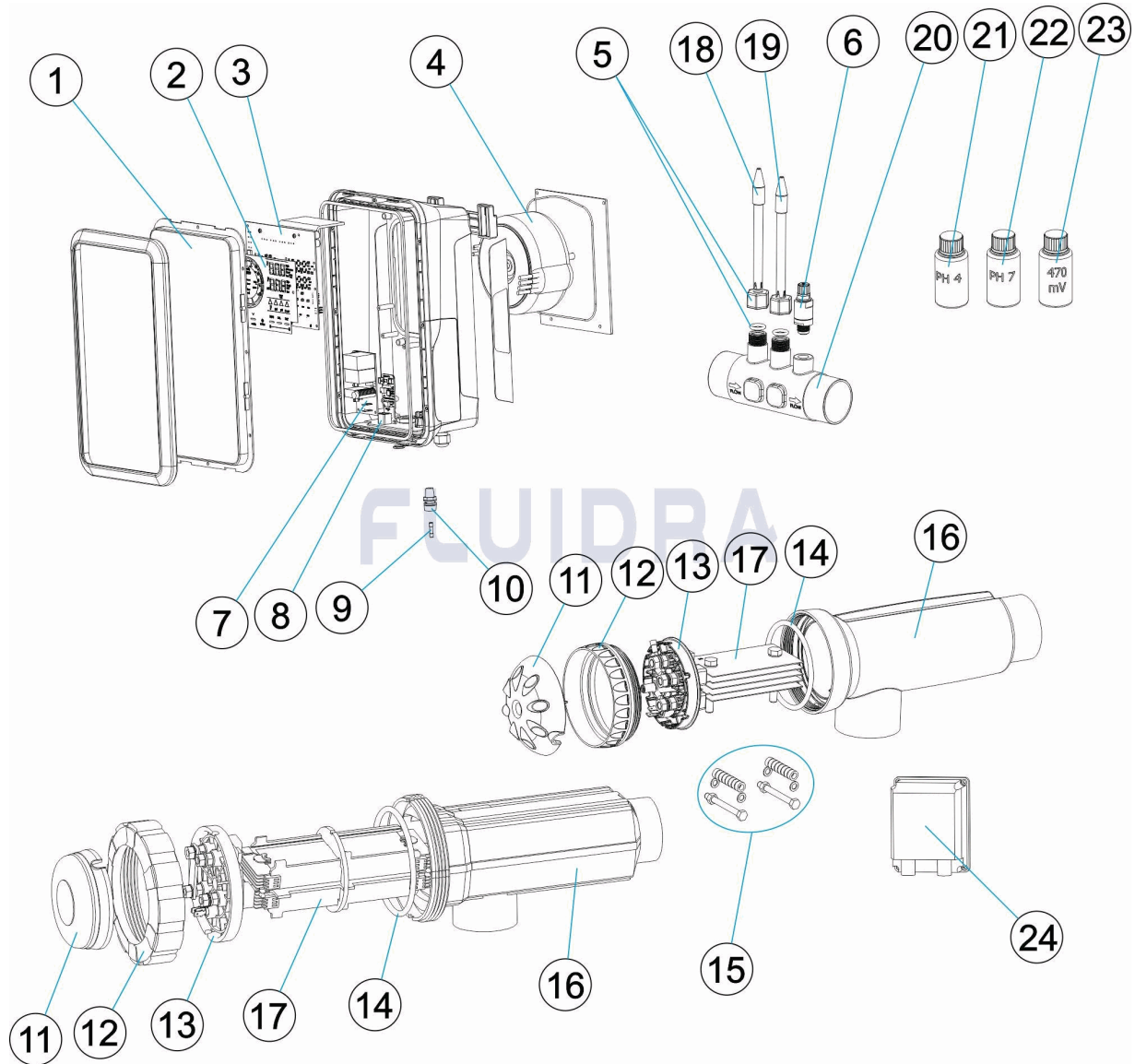


CODIGO 71692, 71693, 71694, 71695, 71696

DESCRIPCION: SMART NEXT



ESPAÑOL

POS	CODIGO	DESCRIPCION	CANTIDAD	POS	CODIGO	DESCRIPCION	CANTIDAD
1	4408060156	CARATULA FRONTAL NEGRA		7	4408040327	PBA FILTRO CONTROL PH	
2	4408060157	TECLADO SMART NEXT		8	4408040365	PBA CONTROL ORP	
3	* 4408040287	TARJETA POTENCIA SMN-7		9	* 4408041112	FUSIBLE 1A	
3	* 4408040288	TARJETA POTENCIA SMN-12		9	* 4408041113	FUSIBLE 2A	
3	* 4408040289	TARJETA POTENCIA SMN-21		9	* 4408041114	FUSIBLE 3A	
3	* 4408040290	TARJETA POTENCIA SMN-30		9	* 4408041204	FUSIBLE 4A	
3	* 4408040291	TARJETA POTENCIA SMN-40		10	4408040523	PORTAFUSIBLE 5X20 CHASIS	
4	* 4408040265	TRANSFORMADOR 110VA		11	* 4408041117	TAPA PROTECCION CONTACTOS	
4	* 4408040266	TRANSFORMADOR 190VA		11	* 4408040509	PROTECTOR CONTACTOS	
4	* 4408040267	TRANSFORMADOR 230VA		12	* 4408041123	ANILLO ROSCADO CELULA	
4	* 4408040268	TRANSFORMADOR 340VA		12	* 4408040508	TUERCA CIERRE CELULA	
4	* 4408040269	TRANSFORMADOR 440VA		13	* 4408040074	SOPORTE ELECTRODO ABIERTO SM/SM+/I	
5	* 4408040604	PORTAELECTRODOS PE 12M/M-1/2"		13	* 4408040272	SOPORTE ELECTRODO BIP	

* NOTA OBSERVACIONES

CODIGO **71692, 71693, 71694, 71695, 71696**

DESCRIPCION: **SMART NEXT**

5	* 4408040444	PORTASONDAS	14	* 4408041118	JUNTA TORICA CIERRE
6	4408040068	VALVULA INYECCION PH-MINUS 3/8"	14	* 4408040510	JUNTA VASO EPDM.
15	* 4408040073	KIT ANCLAJE ELECTRODOS DOMESTICO	18	60648	ELECTRODO COMBINADO PH
16	* 4408041122	CUERPO CELULA	19	60649	ELECTRODO ORP
16	* 57655	CELULA PORTA ELECTRODOS	20	70968	PORTASONDAS
17	* 60595	RECAMBIO ELECTRODO	20	74493	PORTASONDAS
17	* 60596	RECAMBIO ELECTRODO	21	60632	TAMPON PH 4,0 50 ML. (ROJO)
17	* 70312	RECAMBIO ELECTRODO	22	60618	TAMPON PH 7,0 50 M/L. (VERDE)
17	* 70314	RECAMBIO ELECTRODO	23	60633	SOLUCION CALIBRACION 470MV.
17	* 70315	RECAMBIO ELECTRODO	24	70054	BOMBA PERISTALTICA 1,5-1,5 230V

CODIGO **71692, 71693, 71694, 71695, 71696**

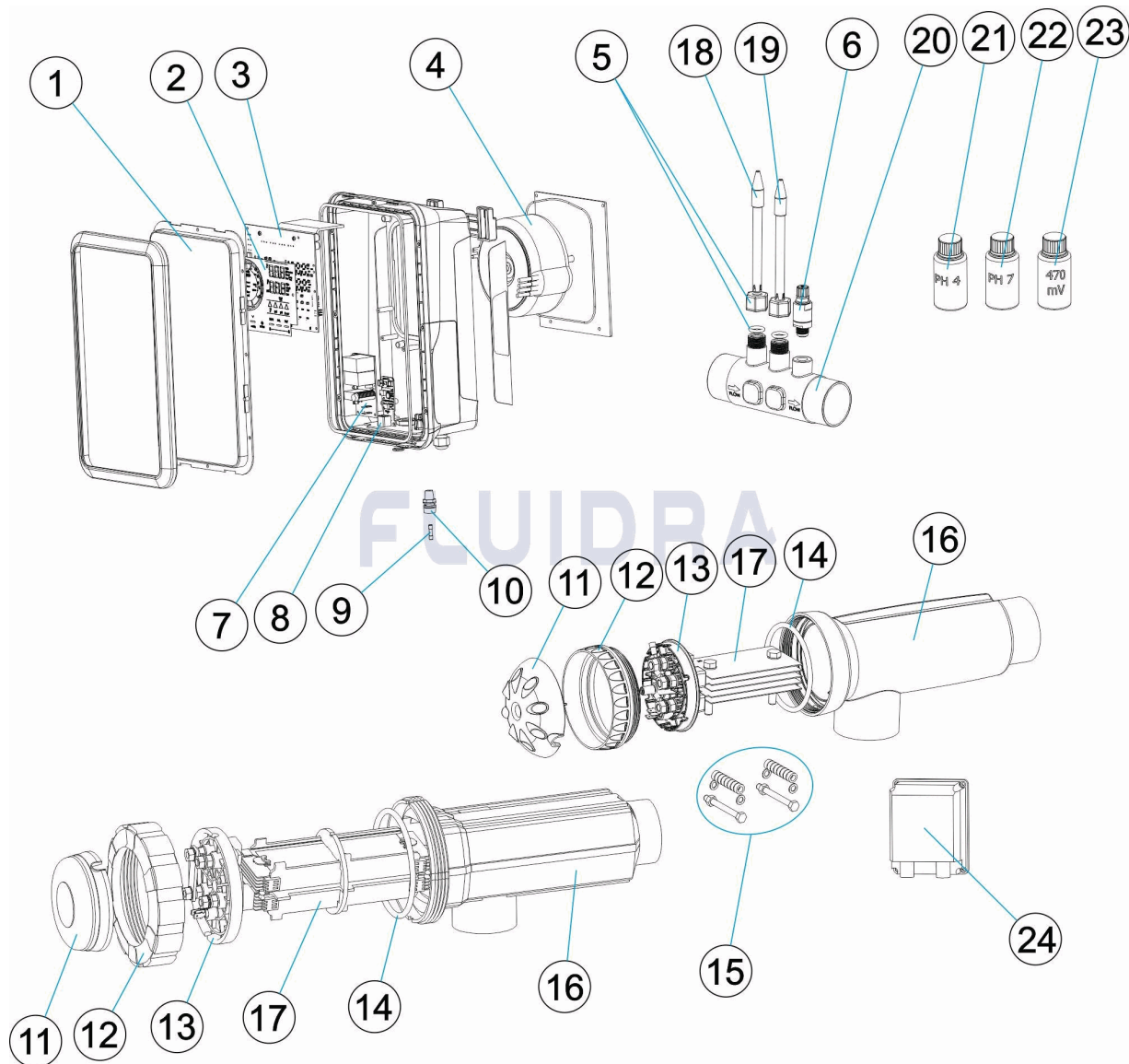
DESCRIPCION: **SMART NEXT**

OBSERVACIONES

POS	CODIGO	OBSERVACIONES
3	* 4408040287	PARA: 71692
3	* 4408040288	PARA: 71693
3	* 4408040289	PARA: 71694
3	* 4408040290	PARA: 71695
3	* 4408040291	PARA: 71696
4	* 4408040265	PARA: 71692
4	* 4408040266	PARA: 71693
4	* 4408040267	PARA: 71694
4	* 4408040268	PARA: 71695
4	* 4408040269	PARA: 71696
5	* 4408040604	PARA: 70968
5	* 4408040444	PARA: 74493
9	* 4408041112	PARA: 71692
9	* 4408041113	PARA: 71693, 71694
9	* 4408041114	PARA: 71695
9	* 4408041204	PARA: 71696
11	* 4408041117	PARA: 71692, 71693
11	* 4408040509	PARA: 71694, 71695, 71696
12	* 4408041123	PARA: 71692, 71693
12	* 4408040508	PARA: 71694, 71695, 71696
13	* 4408040074	PARA: 71692, 71693
13	* 4408040272	PARA: 71694, 71695, 71696
14	* 4408041118	PARA: 71692, 71693
14	* 4408040510	PARA: 71694, 71695, 71696
15	* 4408040073	PARA: 71692, 71693
16	* 4408041122	PARA: 71692, 71693
16	* 57655	PARA: 71694, 71695, 71696
17	* 60595	PARA: 71692
17	* 60596	PARA: 71693
17	* 70312	PARA: 71694
17	* 70314	PARA: 71695
17	* 70315	PARA: 71696

CODE 71692, 71693, 71694, 71695, 71696

DESCRIPTION: SMART NEXT



FRANCAIS

POS	CODE	DESCRIPTION	QUANTITE	POS	CODE	DESCRIPTION	QUANTITE
1	4408060156	COUVERCLE AVANT NOIR		7	4408040327	PBA FILTRE CONTRÔLE PH	
2	4408060157	CLAVIER SMART NEXT		8	4408040365	PBA CONTRÔLE ORP	
3	* 4408040287	CARTE PUISSANCE SMN-7		9	* 4408041112	FUSIBLE 1A	
3	* 4408040288	CARTE PUISSANCE SMN-12		9	* 4408041113	FUSIBLE 2A	
3	* 4408040289	CARTE PUISSANCE SMN-21		9	* 4408041114	FUSIBLE 3A	
3	* 4408040290	CARTE PUISSANCE SMN-30		9	* 4408041204	FUSIBLE 4A	
3	* 4408040291	CARTE PUISSANCE SMN-40		10	4408040523	PORTE-FUSIBLES 5X20 CHASSIS	
4	* 4408040265	TRANSFORMATEUR PUISSANCE 110VA		11	* 4408041117	COUVERCLE PROTECTION CONTACTS	
4	* 4408040266	TRANSFORMATEUR PUISSANCE 190VA		11	* 4408040509	PROTECTEUR CONTACTS	
4	* 4408040267	TRANSFORMATEUR PUISSANCE 230VA		12	* 4408041123	ANNEAU FILETÉ CELLULE	
4	* 4408040268	TRANSFORMATEUR PUISSANCE 340VA		12	* 4408040508	ÉCRU FERMETURE CELLULE	
4	* 4408040269	TRANSFORMATEUR PUISSANCE 440VA		13	* 4408040074	ÉLECTRODES DE RECHANGE SUPPORT O	
5	* 4408040604	PORTE-ÉLECTRODE PE 12M/M. 1/2"		13	* 4408040272	ÉLECTRODES DE RECHANGE SUPPORT BI	

CODE **71692, 71693, 71694, 71695, 71696**

DESCRIPTION: **SMART NEXT**

5	* 4408040444	PORTE-SONDES	14	* 4408041118	JOINT TORIQUE CELLULE
6	4408040068	VANNE INJECTION PH-MINUS 3/8"	14	* 4408040510	JOINT VASE EPDM
15	* 4408040073	KIT ANCRAGE ÉLECTRODES KIT	18	60648	ELECTRODE COMBINÉE PH
16	* 4408041122	CORPS CELLULE	19	60649	ELECTRODE ORP
16	* 57655	CELLULE PORTE-ÉLECTRODE	20	70968	PORTE-SONDES
17	* 60595	RECHANGE ÉLECTRODE	20	74493	PORTE-SONDES
17	* 60596	RECHANGE ÉLECTRODE	21	60632	TAMPON PH 4,0 50 ML. (ROUGE)
17	* 70312	RECHANGE ÉLECTRODE	22	60618	TAMPON PH 7,0 50 M/L. (VERT)
17	* 70314	RECHANGE ÉLECTRODE	23	60633	SOLUTION CALIBRAGE 470 MV
17	* 70315	RECHANGE ÉLECTRODE	24	70054	POMPE PÉRISTALTIQUE 1,5-1,5 230V

CODE **71692, 71693, 71694, 71695, 71696**

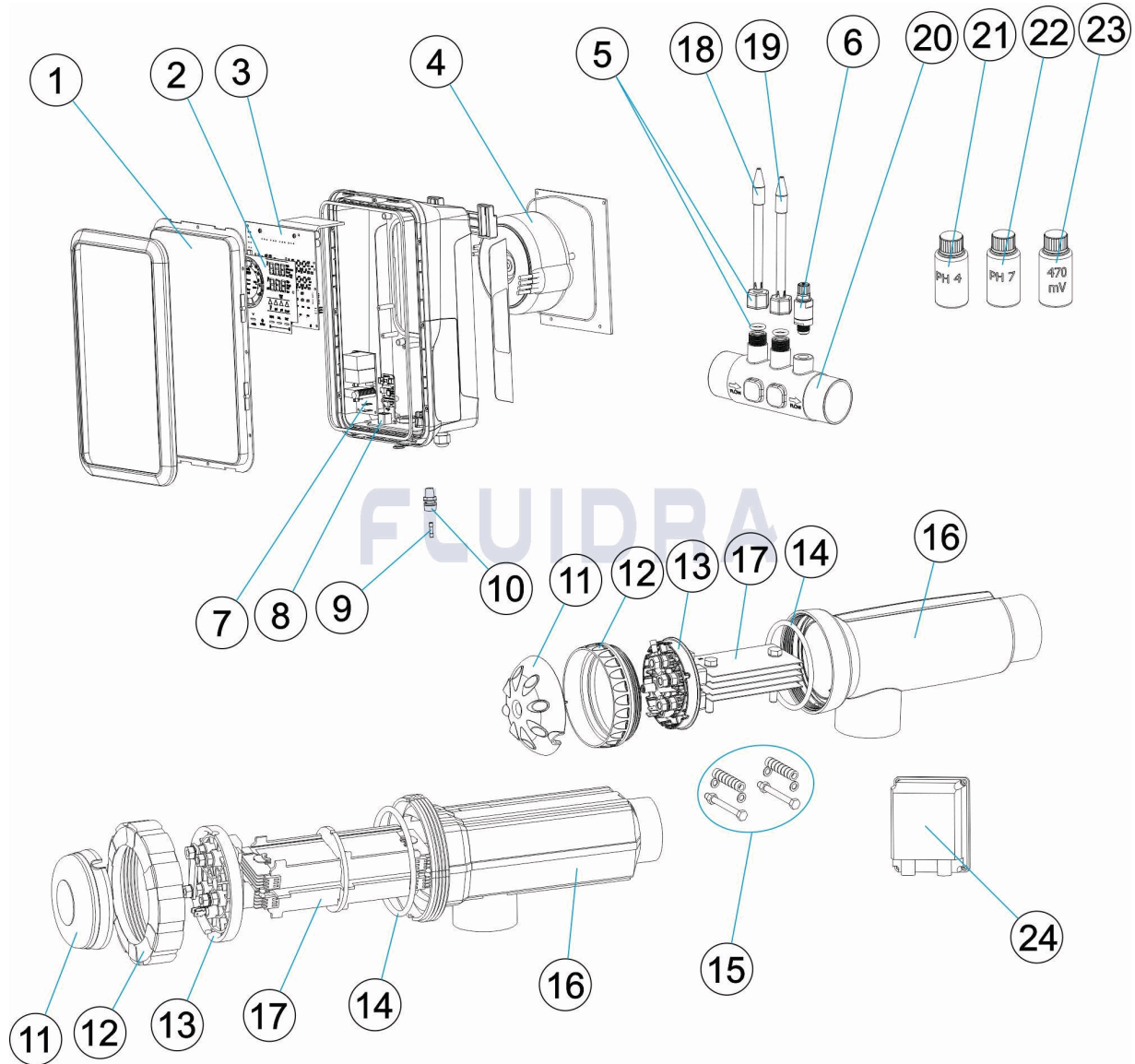
DESCRIPTION: **SMART NEXT**

OBSERVATIONS

POS	CODE	OBSERVATIONS
3	* 4408040287	POUR: 71692
3	* 4408040288	POUR: 71693
3	* 4408040289	POUR: 71694
3	* 4408040290	POUR: 71695
3	* 4408040291	POUR: 71696
4	* 4408040265	POUR: 71692
4	* 4408040266	POUR: 71693
4	* 4408040267	POUR: 71694
4	* 4408040268	POUR: 71695
4	* 4408040269	POUR: 71696
5	* 4408040604	POUR: 70968
5	* 4408040444	POUR: 74493
9	* 4408041112	POUR: 71692
9	* 4408041113	POUR: 71693, 71694
9	* 4408041114	POUR: 71695
9	* 4408041204	POUR: 71696
11	* 4408041117	POUR: 71692, 71693
11	* 4408040509	POUR: 71694, 71695, 71696
12	* 4408041123	POUR: 71692, 71693
12	* 4408040508	POUR: 71694, 71695, 71696
13	* 4408040074	POUR: 71692, 71693
13	* 4408040272	POUR: 71694, 71695, 71696
14	* 4408041118	POUR: 71692, 71693
14	* 4408040510	POUR: 71694, 71695, 71696
15	* 4408040073	POUR: 71692, 71693
16	* 4408041122	POUR: 71692, 71693
16	* 57655	POUR: 71694, 71695, 71696
17	* 60595	POUR: 71692
17	* 60596	POUR: 71693
17	* 70312	POUR: 71694
17	* 70314	POUR: 71695
17	* 70315	POUR: 71696

CODE 71692, 71693, 71694, 71695, 71696

DESCRIPTION: SMART NEXT



ENGLISH

POS	CODE	DESCRIPTION	QUANTITY	POS	CODE	DESCRIPTION	QUANTITY
1	4408060156	BLACK FRONT COVER		7	4408040327	PBA FILTER CONTROL PH	
2	4408060157	SMART NEXT KEYPAD		8	4408040365	PBA CONTROL ORP	
3	* 4408040287	POWER CARD SMN-7		9	* 4408041112	FUSE 1A	
3	* 4408040288	POWER CARD SMN-12		9	* 4408041113	FUSE 2A	
3	* 4408040289	POWER CARD SMN-21		9	* 4408041114	FUSE 3A	
3	* 4408040290	POWER CARD SMN-30		9	* 4408041204	FUSE 4A	
3	* 4408040291	POWER CARD SMN-40		10	4408040523	FUSE HOLDER 5X20	
4	* 4408040265	POWER TRANSFORMER 110 VA		11	* 4408041117	CONTACT PROTECTION COVER	
4	* 4408040266	POWER TRANSFORMER 190 VA		11	* 4408040509	CONTAC PROTECTION	
4	* 4408040267	POWER TRANSFORMER 230 VA		12	* 4408041123	CELL THREADED RING	
4	* 4408040268	POWER TRANSFORMER 340 VA		12	* 4408040508	CLOSINGNUT FOR CELL	
4	* 4408040269	POWER TRANSFORMER 440 VA		13	* 4408040074	SM/SM+/EL ELECTRODE HOLDER	
5	* 4408040604	ELECTRODE CARRIER PE 12M/M.-1/2"		13	* 4408040272	BIP ELECTRODE HOLDER	

* SEE OBSERVATIONS SHEET

CODE **71692, 71693, 71694, 71695, 71696**

DESCRIPTION: **SMART NEXT**

5	* 4408040444	SENSOR HOLDER	14	* 4408041118	CELL O-RING
6	4408040068	PH-MINUS INJECTION VALVE 3/8"	14	* 4408040510	CELL EPDM GASKET
15	* 4408040073	ELECTRODE FIXING KIT	18	60648	ELECTRODE PH
16	* 4408041122	CELL BODY	19	60649	ORP ELECTRODE
16	* 57655	ELECTRODE CELL	20	70968	SENSOR HOLDER
17	* 60595	ELECTRODE SPARE	20	74493	SENSOR HOLDER
17	* 60596	ELECTRODE SPARE	21	60632	CALIBRATION SOLUTION PH 4,0 50 ML. (RE
17	* 70312	ELECTRODE SPARE	22	60618	CALIBRATION SOLUTION PH 7,0 50 M/L. (Gf
17	* 70314	ELECTRODE SPARE	23	60633	CALIBRATION SOLUTION ORP 470 MV
17	* 70315	ELECTRODE SPARE	24	70054	PERISTALTIC PUMP 1,5-1,5 230V

CODE **71692, 71693, 71694, 71695, 71696**

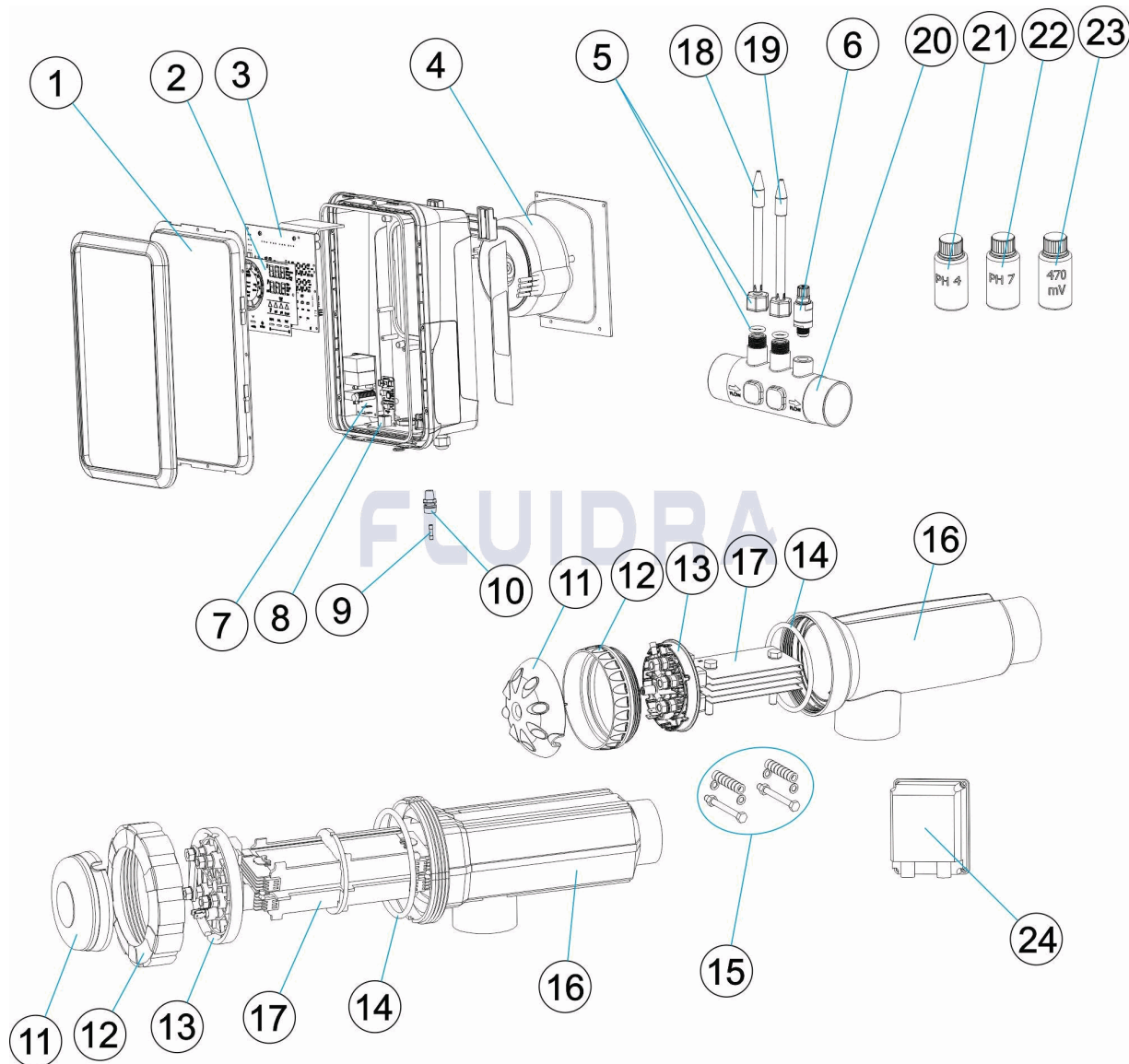
DESCRIPTION: **SMART NEXT**

OBSERVATIONS

POS	CODE	OBSERVATIONS
3	* 4408040287	FOR: 71692
3	* 4408040288	FOR: 71693
3	* 4408040289	FOR: 71694
3	* 4408040290	FOR: 71695
3	* 4408040291	FOR: 71696
4	* 4408040265	FOR: 71692
4	* 4408040266	FOR: 71693
4	* 4408040267	FOR: 71694
4	* 4408040268	FOR: 71695
4	* 4408040269	FOR: 71696
5	* 4408040604	FOR: 70968
5	* 4408040444	FOR: 74493
9	* 4408041112	FOR: 71692
9	* 4408041113	FOR: 71693, 71694
9	* 4408041114	FOR: 71695
9	* 4408041204	FOR: 71696
11	* 4408041117	FOR: 71692, 71693
11	* 4408040509	FOR: 71694, 71695, 71696
12	* 4408041123	FOR: 71692, 71693
12	* 4408040508	FOR: 71694, 71695, 71696
13	* 4408040074	FOR: 71692, 71693
13	* 4408040272	FOR: 71694, 71695, 71696
14	* 4408041118	FOR: 71692, 71693
14	* 4408040510	FOR: 71694, 71695, 71696
15	* 4408040073	FOR: 71692, 71693
16	* 4408041122	FOR: 71692, 71693
16	* 57655	FOR: 71694, 71695, 71696
17	* 60595	FOR: 71692
17	* 60596	FOR: 71693
17	* 70312	FOR: 71694
17	* 70314	FOR: 71695
17	* 70315	FOR: 71696

CODICE 71692, 71693, 71694, 71695, 71696

DESCRIZIONE: SMART NEXT



ITALIANO

POS	CODICE	DESCRIZIONE	QUANTITA'	POS	CODICE	DESCRIZIONE	QUANTITA'
1	4408060156	COPERCHIO ANTERIORE NERO		7	4408040327	PBA FILTRO PH	
2	4408060157	TASTIERA SMART NEXT		8	4408040365	PBA ORP	
3	* 4408040287	CARTA POTENZA SMN-7		9	* 4408041112	FUSIVILE 1A	
3	* 4408040288	CARTA POTENZA SMN-12		9	* 4408041113	FUSIVILE 2A	
3	* 4408040289	CARTA POTENZA SMN-21		9	* 4408041114	FUSIVILE 3A	
3	* 4408040290	CARTA POTENZA SMN-30		9	* 4408041204	FUSIVILE 4A	
3	* 4408040291	CARTA POTENZA SMN-40		10	4408040523	PORTAFUSIBILI 5X20 CORPO	
4	* 4408040265	TRANSFORMATORE POTENZA 110 VA		11	* 4408041117	COPERCHIO PROTEZIONE CONTATTI	
4	* 4408040266	TRANSFORMATORE POTENZA 190 VA		11	* 4408040509	PROTECTORE CONTATTI	
4	* 4408040267	TRANSFORMATORE POTENZA 230 VA		12	* 4408041123	ANELLO FILETTATO CELLA	
4	* 4408040268	TRANSFORMATORE POTENZA 340 VA		12	* 4408040508	GHIERA CHIUSURA CELLA	
4	* 4408040269	TRANSFORMATORE POTENZA 440 VA		13	* 4408040074	ELETTRODI DI RICAMBIO RICHIESTA SOST	
5	* 4408040604	PORTAELETTODO PE 12M/M. X 1/2"		13	* 4408040272	ELETTRODI DI RICAMBIO SOSTEGNO BIP	

* SI FACCIA RIFERIMENTO AL FOGLIO DELLE OSSERVAZIONI

CODICE **71692, 71693, 71694, 71695, 71696**

DESCRIZIONE: **SMART NEXT**

5	* 4408040444	PORTA-SONDE	14	* 4408041118	GIUNTA TORICA CELLULA
6	4408040068	VALVOLA INIEZIONE PH-MINUS 3/8"	14	* 4408040510	GUARNICIONE COPERCHIO CELLA
15	* 4408040073	ELETTRODI KIT ANCORAGGIO	18	60648	ELETTRODO COMBINATO PH
16	* 4408041122	CORPO CELLULA	19	60649	ELETTRODO RX
16	* 57655	CELLA PORTAELETTRODI	20	70968	PORTA-SONDE
17	* 60595	RECAMBIO ELETTRODO	20	74493	PORTA-SONDE
17	* 60596	RECAMBIO ELETTRODO	21	60632	SOLUCIONE TAMPONE PH 4,0 50 ML. (ROS:
17	* 70312	RECAMBIO ELETTRODO	22	60618	SOLUCIONE TAMPONE PH 7,0 50 M/L. (VER
17	* 70314	RECAMBIO ELETTRODO	23	60633	SOLUCIONE CALIBRACIONE 470MV.
17	* 70315	RECAMBIO ELETTRODO	24	70054	POMPA PERISTALTICA 1,5-1,5 230V

CODICE **71692, 71693, 71694, 71695, 71696**

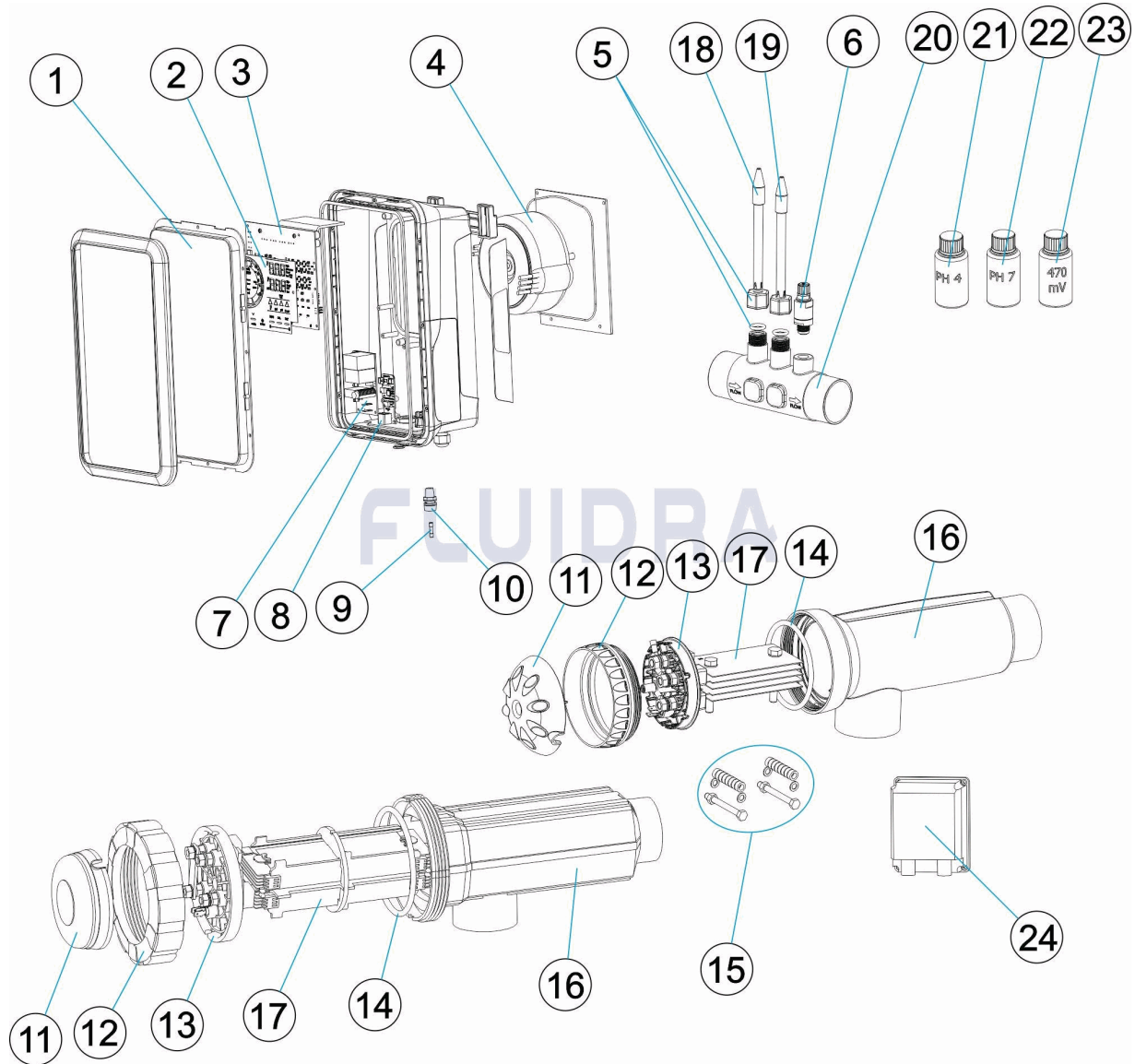
DESCRIZIONE: **SMART NEXT**

OSSERVAZIONI

POS	CODICE	OSSERVAZIONI
3	* 4408040287	PER: 71692
3	* 4408040288	PER: 71693
3	* 4408040289	PER: 71694
3	* 4408040290	PER: 71695
3	* 4408040291	PER: 71696
4	* 4408040265	PER: 71692
4	* 4408040266	PER: 71693
4	* 4408040267	PER: 71694
4	* 4408040268	PER: 71695
4	* 4408040269	PER: 71696
5	* 4408040604	PER: 70968
5	* 4408040444	PER: 74493
9	* 4408041112	PER: 71692
9	* 4408041113	PER: 71693, 71694
9	* 4408041114	PER: 71695
9	* 4408041204	PER: 71696
11	* 4408041117	PER: 71692, 71693
11	* 4408040509	PER: 71694, 71695, 71696
12	* 4408041123	PER: 71692, 71693
12	* 4408040508	PER: 71694, 71695, 71696
13	* 4408040074	PER: 71692, 71693
13	* 4408040272	PER: 71694, 71695, 71696
14	* 4408041118	PER: 71692, 71693
14	* 4408040510	PER: 71694, 71695, 71696
15	* 4408040073	PER: 71692, 71693
16	* 4408041122	PER: 71692, 71693
16	* 57655	PER: 71694, 71695, 71696
17	* 60595	PER: 71692
17	* 60596	PER: 71693
17	* 70312	PER: 71694
17	* 70314	PER: 71695
17	* 70315	PER: 71696

CODE 71692, 71693, 71694, 71695, 71696

BESCHREIBUNG: SMART NEXT



DEUTSCH

POS	CODE	BESCHREIBUNG	MENGE	POS	CODE	BESCHREIBUNG	MENGE
1	4408060156	SCHWARZE FRONTDECKEL		7	4408040327	PBA FILTERSTEUERUNG PH	
2	4408060157	TASTATUR SMART NEXT		8	4408040365	PBA STEUERUNG ORP	
3	* 4408040287	LEISTUNGSPLATINE SMN-7		9	* 4408041112	SICHERUNG 1 A	
3	* 4408040288	LEISTUNGSPLATINE SMN-12		9	* 4408041113	SICHERUNG 2 A	
3	* 4408040289	LEISTUNGSPLATINE SMN-21		9	* 4408041114	SICHERUNG 3 A	
3	* 4408040290	LEISTUNGSPLATINE SMN-30		9	* 4408041204	SICHERUNG 4 A	
3	* 4408040291	LEISTUNGSPLATINE SMN-40		10	4408040523	SICHERUNGSSITZ 5 X 20 RAHMEN	
4	* 4408040265	TRAFO 110 VA		11	* 4408041117	SICHERHEITABSDECKUNG KONTAKTE	
4	* 4408040266	TRAFO 190 VA		11	* 4408040509	KONTAKTSCHUTZ	
4	* 4408040267	TRAFO 230 VA		12	* 4408041123	GEWINDERING ZELLE	
4	* 4408040268	TRAFO 340 VA		12	* 4408040508	MUTTER SCHLIESSVORRICHTUNG ZELLE	
4	* 4408040269	TRAFO 440 VA		13	* 4408040074	HALTERUNG ELEKTRODE OFFEN SM / SM	
5	* 4408040604	ELEKTRODENSITZ PE 12 MM-1/2"		13	* 4408040272	HALTERUNG ELEKTRODE BIP	

* SIEHE ANMERKUNGSBLATT

CODE **71692, 71693, 71694, 71695, 71696**

BESCHREIBUNG: **SMART NEXT**

5	* 4408040444	SONDENHALTERUNG	14	* 4408041118	SCHLIESSRING
6	4408040068	INJEKTORVENTIL PH-MINUS 3/8"	14	* 4408040510	DICHTUNG GEHÄUSE EPDM
15	* 4408040073	KIT VERANKERUNG ELEKTRODEN	18	60648	ELEKTRODE KOMBINIERT PH
16	* 4408041122	GEHÄUSE ZELLE	19	60649	ORP-ELEKTRODE
16	* 57655	ELEKTRODENZELLE	20	70968	SONDENHALTERUNG
17	* 60595	ERSATZTEIL ELEKTRODE	20	74493	SONDENHALTERUNG
17	* 60596	ERSATZTEIL ELEKTRODE	21	60632	PUFFER PH 4,0 50 ML (ROT)
17	* 70312	ERSATZTEIL ELEKTRODE	22	60618	PUFFER PH 7,0 50 M/L (GRÜN)
17	* 70314	ERSATZTEIL ELEKTRODE	23	60633	KALIBRIERLÖSUNG 47 0MV
17	* 70315	ERSATZTEIL ELEKTRODE	24	70054	PERISTALTIKPUMPE P1,5-1,5 230V

CODE **71692, 71693, 71694, 71695, 71696**

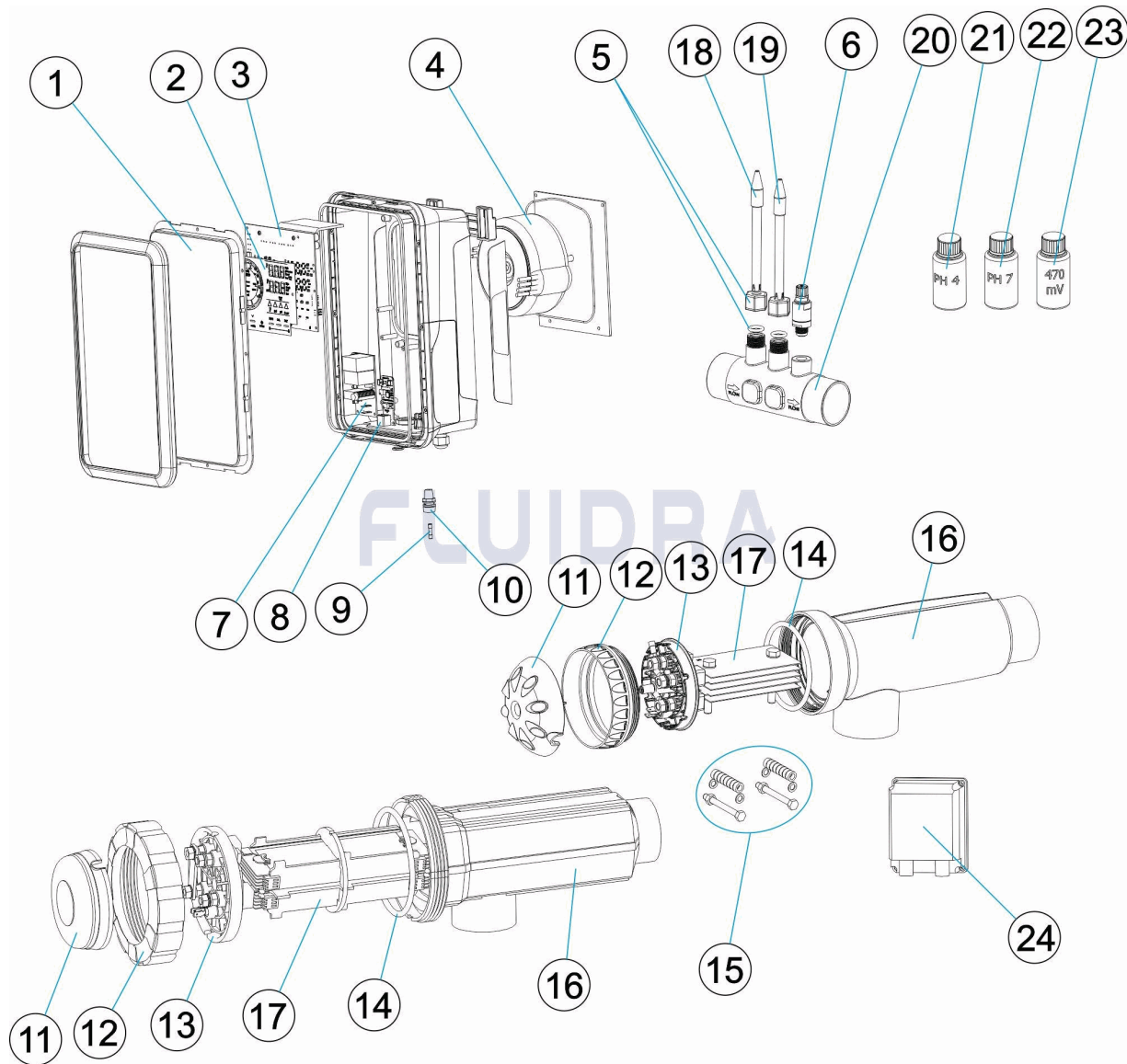
BESCHREIBUNG: **SMART NEXT**

HINWEISE

POS	CODE	HINWEISE
3	* 4408040287	FÜR: 71692
3	* 4408040288	FÜR: 71693
3	* 4408040289	FÜR: 71694
3	* 4408040290	FÜR: 71695
3	* 4408040291	FÜR: 71696
4	* 4408040265	FÜR: 71692
4	* 4408040266	FÜR: 71693
4	* 4408040267	FÜR: 71694
4	* 4408040268	FÜR: 71695
4	* 4408040269	FÜR: 71696
5	* 4408040604	FÜR: 70968
5	* 4408040444	FÜR: 74493
9	* 4408041112	FÜR: 71692
9	* 4408041113	FÜR: 71693, 71694
9	* 4408041114	FÜR: 71695
9	* 4408041204	FÜR: 71696
11	* 4408041117	FÜR: 71692, 71693
11	* 4408040509	FÜR: 71694, 71695, 71696
12	* 4408041123	FÜR: 71692, 71693
12	* 4408040508	FÜR: 71694, 71695, 71696
13	* 4408040074	FÜR: 71692, 71693
13	* 4408040272	FÜR: 71694, 71695, 71696
14	* 4408041118	FÜR: 71692, 71693
14	* 4408040510	FÜR: 71694, 71695, 71696
15	* 4408040073	FÜR: 71692, 71693
16	* 4408041122	FÜR: 71692, 71693
16	* 57655	FÜR: 71694, 71695, 71696
17	* 60595	FÜR: 71692
17	* 60596	FÜR: 71693
17	* 70312	FÜR: 71694
17	* 70314	FÜR: 71695
17	* 70315	FÜR: 71696

CODIGO 71692, 71693, 71694, 71695, 71696

DESCRIÇÃO: SMART NEXT



PORTUGUES

POS	CODIGO	DESCRIÇÃO	JANTIDADE	POS	CODIGO	DESCRIÇÃO	JANTIDADE
1	4408060156	TAMPA FRONTAL PRETA		7	4408040327	PBA FILTRO CONTROL PH	
2	4408060157	TECLADO SMART NEXT		8	4408040365	PBA CONTROL ORP	
3	* 4408040287	TARJETA POTÊNCIA SMN-7		9	* 4408041112	FUSIVEL 1A	
3	* 4408040288	TARJETA POTÊNCIA SMN-12		9	* 4408041113	FUSIVEL 2A	
3	* 4408040289	TARJETA POTÊNCIA SMN-21		9	* 4408041114	FUSIVEL 3A	
3	* 4408040290	TARJETA POTÊNCIA SMN-30		9	* 4408041204	FUSIVEL 4A	
3	* 4408040291	TARJETA POTÊNCIA SMN-40		10	4408040523	PORTAFUSIVEIS 5X20 CHASIS	
4	* 4408040265	TRANSFORMADOR POTÊNCIA 110VA		11	* 4408041117	TAMPA PROTECÇÃO CONTACTOS	
4	* 4408040266	TRANSFORMADOR POTÊNCIA 190VA		11	* 4408040509	PROTECTOR CONTACTOS	
4	* 4408040267	TRANSFORMADOR POTÊNCIA 230VA		12	* 4408041123	ANEL ROSQUEADO CÉLULA	
4	* 4408040268	TRANSFORMADOR POTÊNCIA 340VA		12	* 4408040508	TAMPA ROSCADA DE FECHO DA VASO	
4	* 4408040269	TRANSFORMADOR POTÊNCIA 440VA		13	* 4408040074	ELETRODOS DE REPOSIÇÃO APOIO ABER	
5	* 4408040604	PORTAELECTRODOS PE 12M/M-1/2"		13	* 4408040272	ELETRODOS DE REPOSIÇÃO APOIO BIP	

* VEJA A FICHA DE OBSERVAÇÕES

CODIGO **71692, 71693, 71694, 71695, 71696**

DESCRIÇÃO: **SMART NEXT**

5	* 4408040444	PORTA-SONDAS	14	* 4408041118	JUNTA TÓRICA CÉLULA
6	4408040068	VALVOLA INJEÇÃO PH-MINUS 3/8"	14	* 4408040510	JUNTA EPDM COPO
15	* 4408040073	KIT ÂNCORA ELETRODOS KIT	18	60648	ELECTRODO COMBINADO PH
16	* 4408041122	CORPO CÉLULA	19	60649	ELECTRODO ORP
16	* 57655	VASO PORTA-ELECTRODOS	20	70968	PORTA-SONDAS
17	* 60595	SOBRESSALENTE ELÉCTRODO	20	74493	PORTA-SONDAS
17	* 60596	SOBRESSALENTE ELÉCTRODO	21	60632	SOLUÇÃO TAMPÃO PH 4,0 50 ML. (VERMEL)
17	* 70312	SOBRESSALENTE ELÉCTRODO	22	60618	SOLUÇÃO TAMPÃO PH 7,0 50 ML. (VERDE)
17	* 70314	SOBRESSALENTE ELÉCTRODO	23	60633	SOLUÇÃO TAMPÃO 470 MV
17	* 70315	SOBRESSALENTE ELÉCTRODO	24	70054	BOMBA PERISTÁLTICA 1,5-1,5 230V

CODIGO **71692, 71693, 71694, 71695, 71696**

DESCRIÇÃO: SMART NEXT

OBSERVAÇÕES

POS	CODIGO	OBSERVAÇÕES
3	* 4408040287	PARA: 71692
3	* 4408040288	PARA: 71693
3	* 4408040289	PARA: 71694
3	* 4408040290	PARA: 71695
3	* 4408040291	PARA: 71696
4	* 4408040265	PARA: 71692
4	* 4408040266	PARA: 71693
4	* 4408040267	PARA: 71694
4	* 4408040268	PARA: 71695
4	* 4408040269	PARA: 71696
5	* 4408040604	PARA: 70968
5	* 4408040444	PARA: 74493
9	* 4408041112	PARA: 71692
9	* 4408041113	PARA: 71693, 71694
9	* 4408041114	PARA: 71695
9	* 4408041204	PARA: 71696
11	* 4408041117	PARA: 71692, 71693
11	* 4408040509	PARA: 71694, 71695, 71696
12	* 4408041123	PARA: 71692, 71693
12	* 4408040508	PARA: 71694, 71695, 71696
13	* 4408040074	PARA: 71692, 71693
13	* 4408040272	PARA: 71694, 71695, 71696
14	* 4408041118	PARA: 71692, 71693
14	* 4408040510	PARA: 71694, 71695, 71696
15	* 4408040073	PARA: 71692, 71693
16	* 4408041122	PARA: 71692, 71693
16	* 57655	PARA: 71694, 71695, 71696
17	* 60595	PARA: 71692
17	* 60596	PARA: 71693
17	* 70312	PARA: 71694
17	* 70314	PARA: 71695
17	* 70315	PARA: 71696