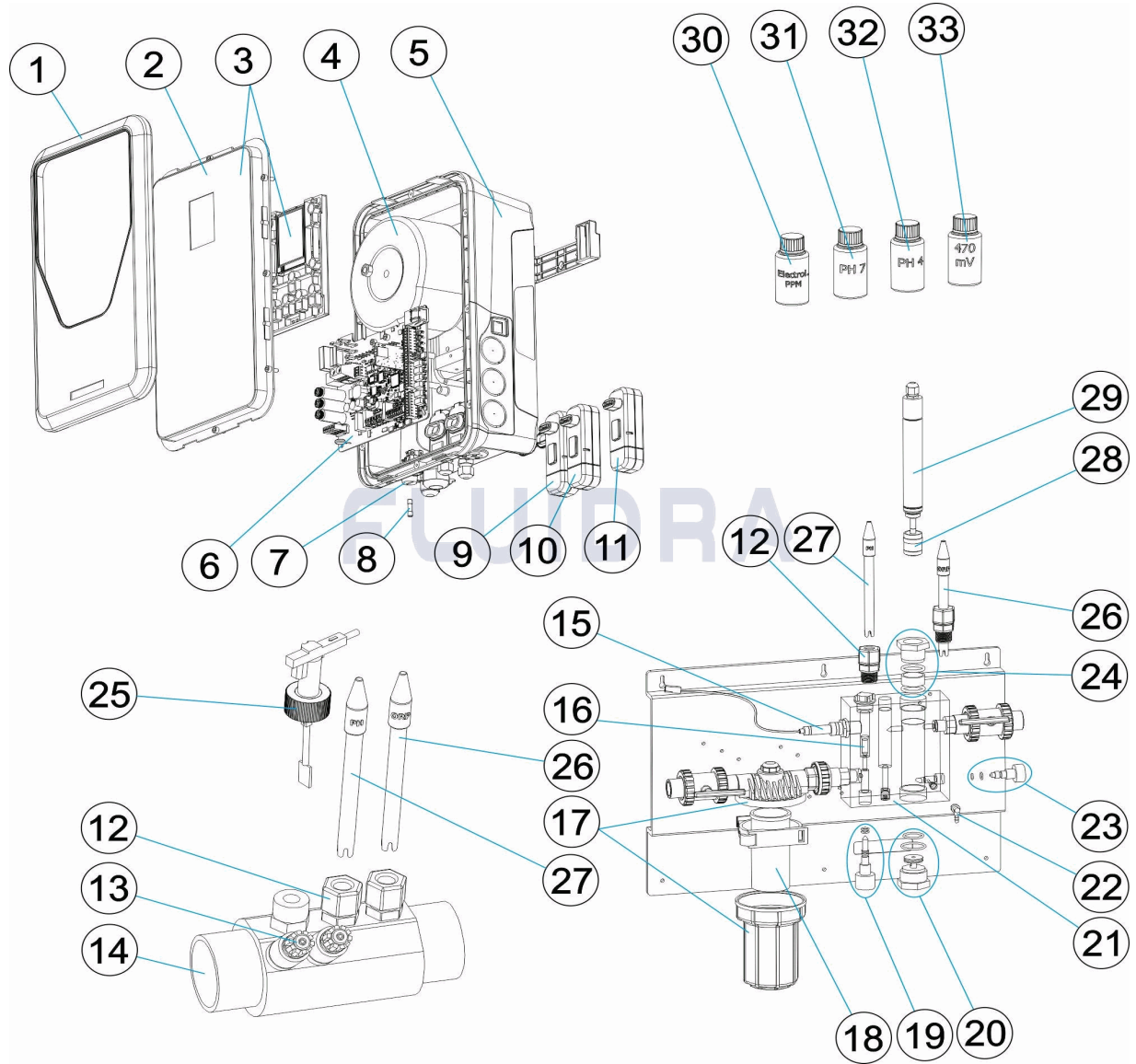


CODIGO 71537, 71538, 71539

DESCRIPCION: CONTROL CONNECT



ESPAÑOL

POS	CODIGO	DESCRIPCION	CANTIDAD	POS	CODIGO	DESCRIPCION	CANTIDAD
1	4408040367	MARCO FRONTAL ELN GRIS		15	* 4408041541	SENSOR INDUCTIVO DE CAUDAL	
2	4408040366	FRONTAL ELITE CONNECT NEGRO		16	* 4408040159	FLOTADOR DETECTOR CAUDAL	
3	4408040298	TARJETA VISUALIZADORA ELN		17	* 4408041538	PORTASONDAS E/S 1/2"	
4	4408040265	TRANSFORMADOR 110VA		18	* 4408041537	FILTRO PORTASONDAS LAVABLE	
5	4408040358	CUERPO INFERIOR ELITE CONNECT		19	* 4408040156	VALVULA CAUDAL + JUNTA TORICA	
6	* 4408040422	PBA PH-ORP		20	* 4408040160	TAPÓN INFERIOR Sonda AMPEROMÉTRIC	
6	* 4408040423	PBA PH-PPM		21	* 4408040155	PORTASONDAS PH/ORP + PRX REP/VTA	
7	4408040523	PORTAFUSIBLE 5X20 CHASIS		21	* 4408041540	PORTASONDAS PH + CL	
8	4408041112	FUSIBLE 1A		22	* 4408040158	SALIDA DESAGÜE TOMA MUESTRAS	
9	73480	MÓDULO DE EXPANSIÓN PH		23	* 4408040157	VÁLVULA TOMA MUESTRAS	
10	* 73481	MÓDULO DE EXPANSIÓN ORP		24	* 4408040161	RACOR + JUNTA TORICA	
11	* 76298	MÓDULO DE EXPANSIÓN PPM		25	71124	FLUJOSTATO	
12	* 4408070070	CUERPO SENSORES		26	60649	ELECTRODO ORP	

*** NOTA OBSERVACIONES**

CODIGO **71537, 71538, 71539**

DESCRIPCION: **CONTROL CONNECT**

13	4408040604	PORTAELECTRODOS PE 12M/M-1/2"	27	60648	ELECTRODO COMBINADO PH
14	* 4408040068	VALVULA INYECCION PH-MINUS 3/8"	28	* 60647	CABEZAL MEMBRANA SENSOR CLORO LIB
29	* 60645	SENSOR CLORO LIBRE	32	60632	TAMPON PH 4,0 50 ML. (ROJO)
30	* 60646	ELECTROLITO ECC1/GEL SONDA CL	33	* 60633	SOLUCION CALIBRACION 470MV.
31	60618	TAMPON PH 7,0 50 M/L. (VERDE)			

CODIGO **71537, 71538, 71539**

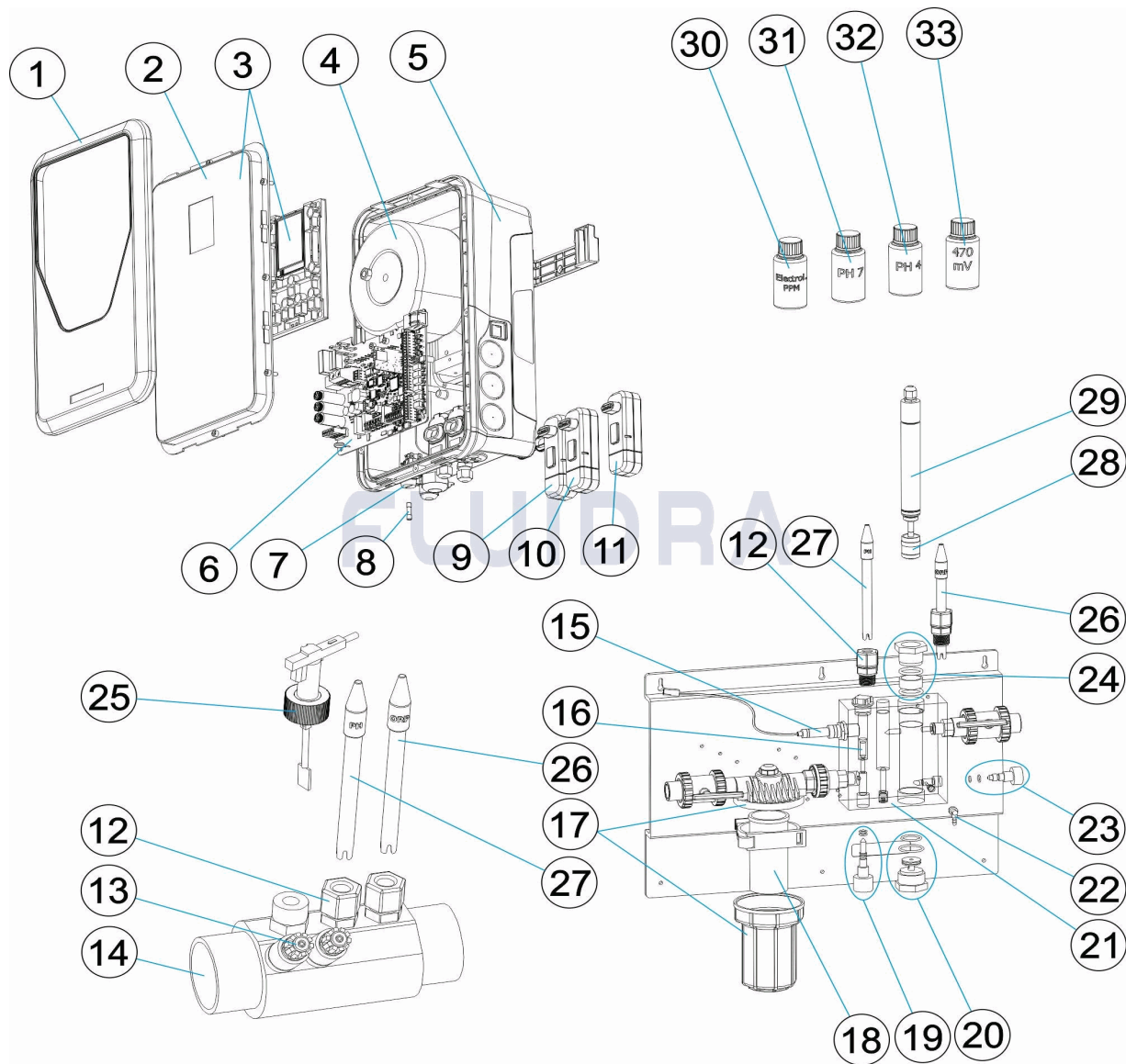
DESCRIPCION: CONTROL CONNECT

OBSERVACIONES

POS	CODIGO	OBSERVACIONES
6	* 4408040422	PARA: 71537, 71538
6	* 4408040423	PARA: 71539
10	* 73481	PARA: 71537, 71538
11	* 76298	PARA: 71539
12	* 4408070070	PARA: 71537
14	* 4408040068	PARA: 71537
15	* 4408041541	PARA: 71538, 71539
16	* 4408040159	PARA: 71538, 71539
17	* 4408041538	PARA: 71538, 71539
18	* 4408041537	PARA: 71538, 71539
19	* 4408040156	PARA: 71538, 71539
20	* 4408040160	PARA: 71539
21	* 4408040155	PARA: 71538
21	* 4408041540	PARA: 71539
22	* 4408040158	PARA: 71538, 71539
23	* 4408040157	PARA: 71538, 71539
24	* 4408040161	PARA: 71539
28	* 60647	PARA: 71539
29	* 60645	PARA: 71539
30	* 60646	PARA: 71539
33	* 60633	PARA: 71537, 71538

CODE 71537, 71538, 71539

DESCRIPTION: CONTROL CONNECT



FRANCAIS

POS	CODE	DESCRIPTION	QUANTITE	POS	CODE	DESCRIPTION	QUANTITE
1	4408040367	CADRE FRONTAL ELN GRIS		15	* 4408041541	SONDE DE DÉBIT INDUCTIVE	
2	4408040366	FRONTAL ELITE CONNECT NOIR		16	* 4408040159	FLOTTEUR DÉTECTEUR DÉBIT	
3	4408040298	CARTE AFFICHEUR ELN		17	* 4408041538	PORTE-SONDES E/S 1/2"	
4	4408040265	TRANSFORMATEUR PUISSANCE 110VA		18	* 4408041537	FILTRE PORTE-SONDES LAVABLE	
5	4408040358	CORPS INFERIEUR ELITE CONNECT		19	* 4408040156	VANNE REGULATION DE DEBIT + JOINT TO	
6	* 4408040422	PBA PH-ORP		20	* 4408040160	BOUCHON INF. CAPTEUR AMPÉROMÉTRIC	
6	* 4408040423	PBA PH-PPM		21	* 4408040155	PORTE-SONDES PH/ORP + PRX REP/VTA	
7	4408040523	PORTE-FUSIBLES 5X20 CHASSIS		21	* 4408041540	PORTE-SONDES PH + CL	
8	4408041112	FUSIBLE 1A		22	* 4408040158	SORTIE DRAINAGE PRISE ÉCHANTILLONS	
9	73480	MODULE D'EXPANSION PH		23	* 4408040157	VANNE PRISE ÉCHANTILLONS	
10	* 73481	MODULE D'EXPANSION ORP		24	* 4408040161	RACCORD + JOINT TORIQUE	
11	* 76298	MODULE D'EXPANSION PPM		25	71124	CONTROLEUR DE DEBIT	
12	* 4408070070	CORPS CAPTEURS		26	60649	ELECTRODE ORP	

* VOIR FICHE D'OBSERVATIONS

CODE **71537, 71538, 71539**

DESCRIPTION: **CONTROL CONNECT**

13	4408040604	PORTE-ÉLECTRODE PE 12M/M. 1/2"	27	60648	ELECTRODE COMBINÉE PH
14	* 4408040068	VANNE INJECTION PH-MINUS 3/8"	28	* 60647	CAPSULE MEMBRANE POUR SONDE CHLC
29	* 60645	SONDE DE CHLORE LIBRE	32	60632	TAMPON PH 4,0 50 ML. (ROUGE)
30	* 60646	ELECTROLYTE	33	* 60633	SOLUTION CALIBRAGE 470 MV
31	60618	TAMPON PH 7,0 50 M/L. (VERT)			

CODE **71537, 71538, 71539**

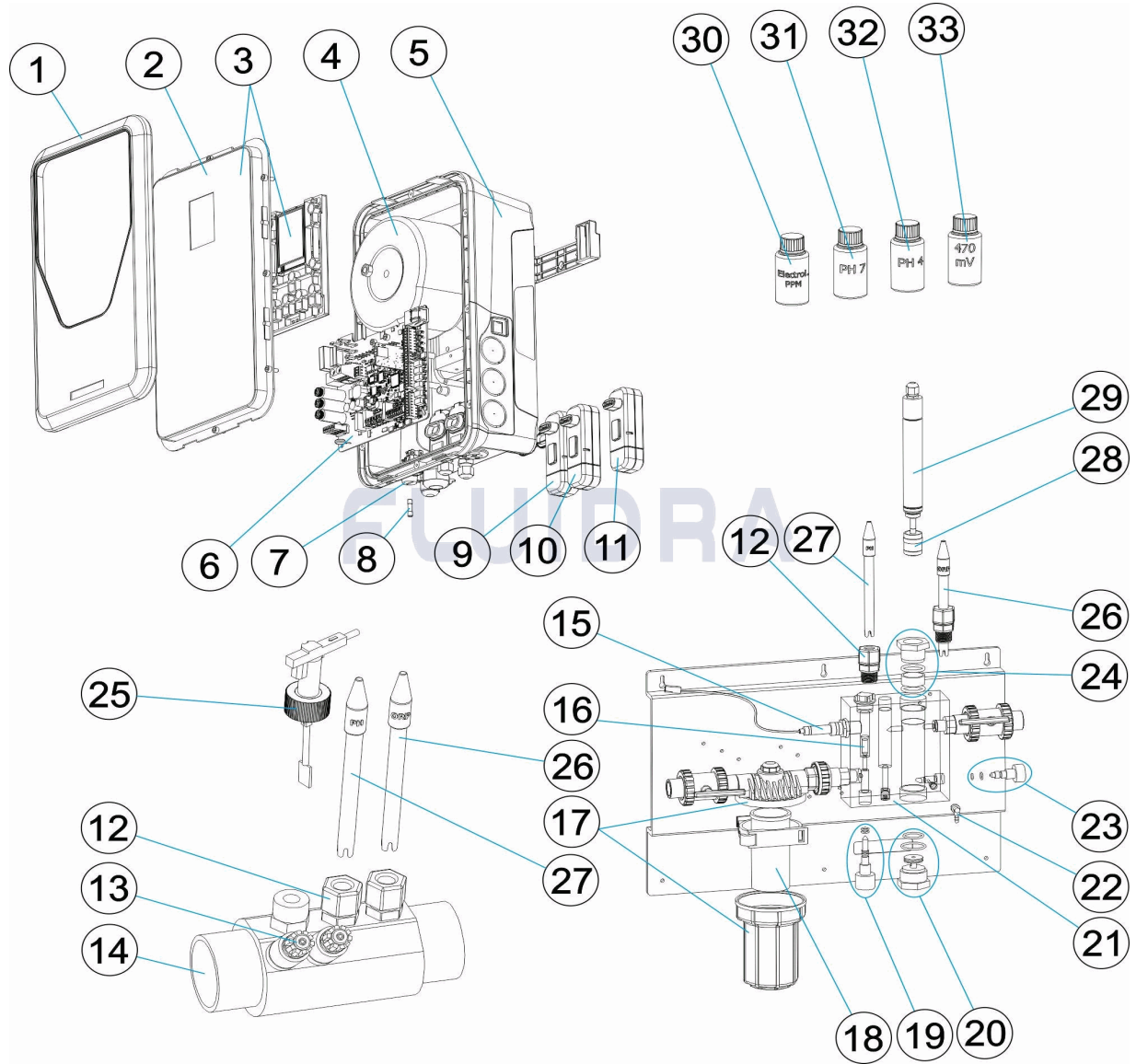
DESCRIPTION: **CONTROL CONNECT**

OBSERVATIONS

POS	CODE	OBSERVATIONS
6	* 4408040422	POUR: 71537, 71538
6	* 4408040423	POUR: 71539
10	* 73481	POUR: 71537, 71538
11	* 76298	POUR: 71539
12	* 4408070070	POUR: 71537
14	* 4408040068	POUR: 71537
15	* 4408041541	POUR: 71538, 71539
16	* 4408040159	POUR: 71538, 71539
17	* 4408041538	POUR: 71538, 71539
18	* 4408041537	POUR: 71538, 71539
19	* 4408040156	POUR: 71538, 71539
20	* 4408040160	POUR: 71539
21	* 4408040155	POUR: 71538
21	* 4408041540	POUR: 71539
22	* 4408040158	POUR: 71538, 71539
23	* 4408040157	POUR: 71538, 71539
24	* 4408040161	POUR: 71539
28	* 60647	POUR: 71539
29	* 60645	POUR: 71539
30	* 60646	POUR: 71539
33	* 60633	POUR: 71537, 71538

CODE 71537, 71538, 71539

DESCRIPTION: CONTROL CONNECT



ENGLISH

POS	CODE	DESCRIPTION	QUANTITY	POS	CODE	DESCRIPTION	QUANTITY
1	4408040367	FRONT FRAME ELN GREY		15	* 4408041541	INDUCTIVE FLOW SENSOR	
2	4408040366	FRONT ELITE CONNECT BLACK		16	* 4408040159	FLOW DETECTOR FLOAT	
3	4408040298	ELN VIEWER CARD		17	* 4408041538	MAXIM CELL E/S 1/2"	
4	4408040265	POWER TRANSFORMER 110 VA		18	* 4408041537	WASHABLE MAXIM CELL FILTER	
5	4408040358	ELITE CONNECT LOWER BODY		19	* 4408040156	CONTROL VALVE + O' RING	
6	* 4408040422	PH-ORP PBA		20	* 4408040160	LOWER CAP AMPEROMETRIC PROBE	
6	* 4408040423	PH-PPM PBA		21	* 4408040155	SENSOR HOLDER PH/ORP + PRX REP/VTA	
7	4408040523	FUSE HOLDER 5X20		21	* 4408041540	SENSOR HOLDER PH + CL	
8	4408041112	FUSE 1A		22	* 4408040158	SAMPLING DRAIN OUTLET	
9	73480	PH EXPANSION MODULE		23	* 4408040157	SAMPLING VALVE	
10	* 73481	ORP EXPANSION MODULE		24	* 4408040161	ADAPTOR + O' RING	
11	* 76298	PPM EXPANSION MODULE		25	71124	WATER FLOW SWITCH	
12	* 4408070070	SENSOR BODY		26	60649	ORP ELECTRODE	

CODE **71537, 71538, 71539**

DESCRIPTION: **CONTROL CONNECT**

13	4408040604	ELECTRODE CARRIER PE 12M/M.-1/2"	27	60648	ELECTRODE PH
14	* 4408040068	PH-MINUS INJECTION VALVE 3/8"	28	* 60647	MEMBRANE CAP FOR FREE CHLORINE SEI
29	* 60645	FREE CHLORINE SENSOR	32	60632	CALIBRATION SOLUTION PH 4,0 50 ML. (RE
30	* 60646	ELECTROLITE	33	* 60633	CALIBRATION SOLUTION ORP 470 MV
31	60618	CALIBRATION SOLUTION PH 7,0 50 M/L. (G			

CODE **71537, 71538, 71539**

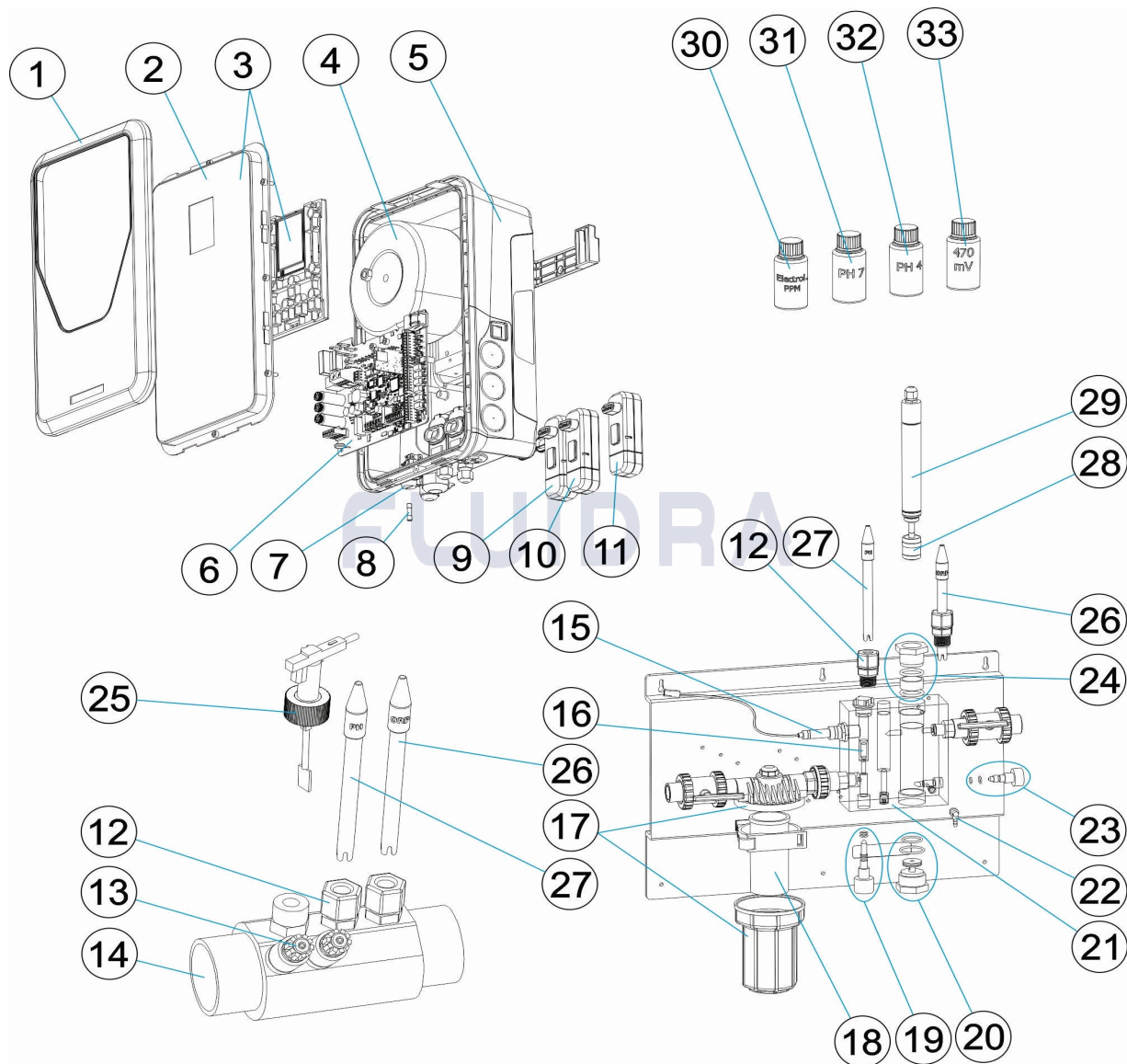
DESCRIPTION: **CONTROL CONNECT**

OBSERVATIONS

POS	CODE	OBSERVATIONS
6	* 4408040422	FOR: 71537, 71538
6	* 4408040423	FOR: 71539
10	* 73481	FOR: 71537, 71538
11	* 76298	FOR: 71539
12	* 4408070070	FOR: 71537
14	* 4408040068	FOR: 71537
15	* 4408041541	FOR: 71538, 71539
16	* 4408040159	FOR: 71538, 71539
17	* 4408041538	FOR: 71538, 71539
18	* 4408041537	FOR: 71538, 71539
19	* 4408040156	FOR: 71538, 71539
20	* 4408040160	FOR: 71539
21	* 4408040155	FOR: 71538
21	* 4408041540	FOR: 71539
22	* 4408040158	FOR: 71538, 71539
23	* 4408040157	FOR: 71538, 71539
24	* 4408040161	FOR: 71539
28	* 60647	FOR: 71539
29	* 60645	FOR: 71539
30	* 60646	FOR: 71539
33	* 60633	FOR: 71537, 71538

CODICE 71537, 71538, 71539

DESCRIZIONE: CONTROL CONNECT



ITALIANO

POS	CODICE	DESCRIZIONE	QUANTITA'	POS	CODICE	DESCRIZIONE	QUANTITA'
1	4408040367	CORNICE FRONTALE ELN GRIGIO		15	* 4408041541	SONDA DI FLUSSO INDUTTIVA	
2	4408040366	FRONTALE ELITE CONNECT NERO		16	* 4408040159	GALLEGGIANTE RILEVATORE DI PORTATA	
3	4408040298	SCHEDA VISORE ELN		17	* 4408041538	PORTA-SONDE E/S 1/2"	
4	4408040265	TRANSFORMATORE POTENZA 110 VA		18	* 4408041537	FILTRO PORTA-SONDE LAVABILE	
5	4408040358	CORPO INFERIORE ELITE CONNECT		19	* 4408040156	VALVOLA DI REGOLAZIONE + O-RING	
6	* 4408040422	PBA PH-ORP		20	* 4408040160	TAPPO INFERIORE SONDA AMPEROMETRI	
6	* 4408040423	PBA PH-PPM		21	* 4408040155	PORTA-SONDE PH/ORP + PRX REP/VA	
7	4408040523	PORTAFUSIBILI 5X20 CORPO		21	* 4408041540	PORTA-SONDE PH + CL	
8	4408041112	FUSIVILE 1A		22	* 4408040158	USCITA SCARICO PRELIEVO CAMPIONI	
9	73480	MODULO DI ESPANSIONE PH		23	* 4408040157	VALVOLA PRELIEVO CAMPIONI	
10	* 73481	MODULO DI ESPANSIONE ORP		24	* 4408040161	RACCORDO + O-RING	
11	* 76298	MODULO DI ESPANSIONE PPM		25	71124	FLUSSOSTATO	
12	* 4408070070	CORPO SENSORI		26	60649	ELETTRODO RX	

* SI FACCIA RIFERIMENTO AL FOGLIO DELLE OSSERVAZIONI

CODICE **71537, 71538, 71539**

DESCRIZIONE: **CONTROL CONNECT**

13	4408040604	PORTAELETTODO PE 12M/M. X 1/2"	27	60648	ELETTRODO COMBINATO PH
14	* 4408040068	VALVOLA INIEZIONE PH-MINUS 3/8"	28	* 60647	TAPPO MEMBRANA PER Sonda CLORO LI
29	* 60645	SONDA DI CLORO LIBERO	32	60632	SOLUCIONE TAMPONE PH 4,0 50 ML. (ROS)
30	* 60646	ELETTROLITO	33	* 60633	SOLUCIONE CALIBRAZIONE 470MV.
31	60618	SOLUCIONE TAMPONE PH 7,0 50 M/L. (VEF			

CODICE **71537, 71538, 71539**

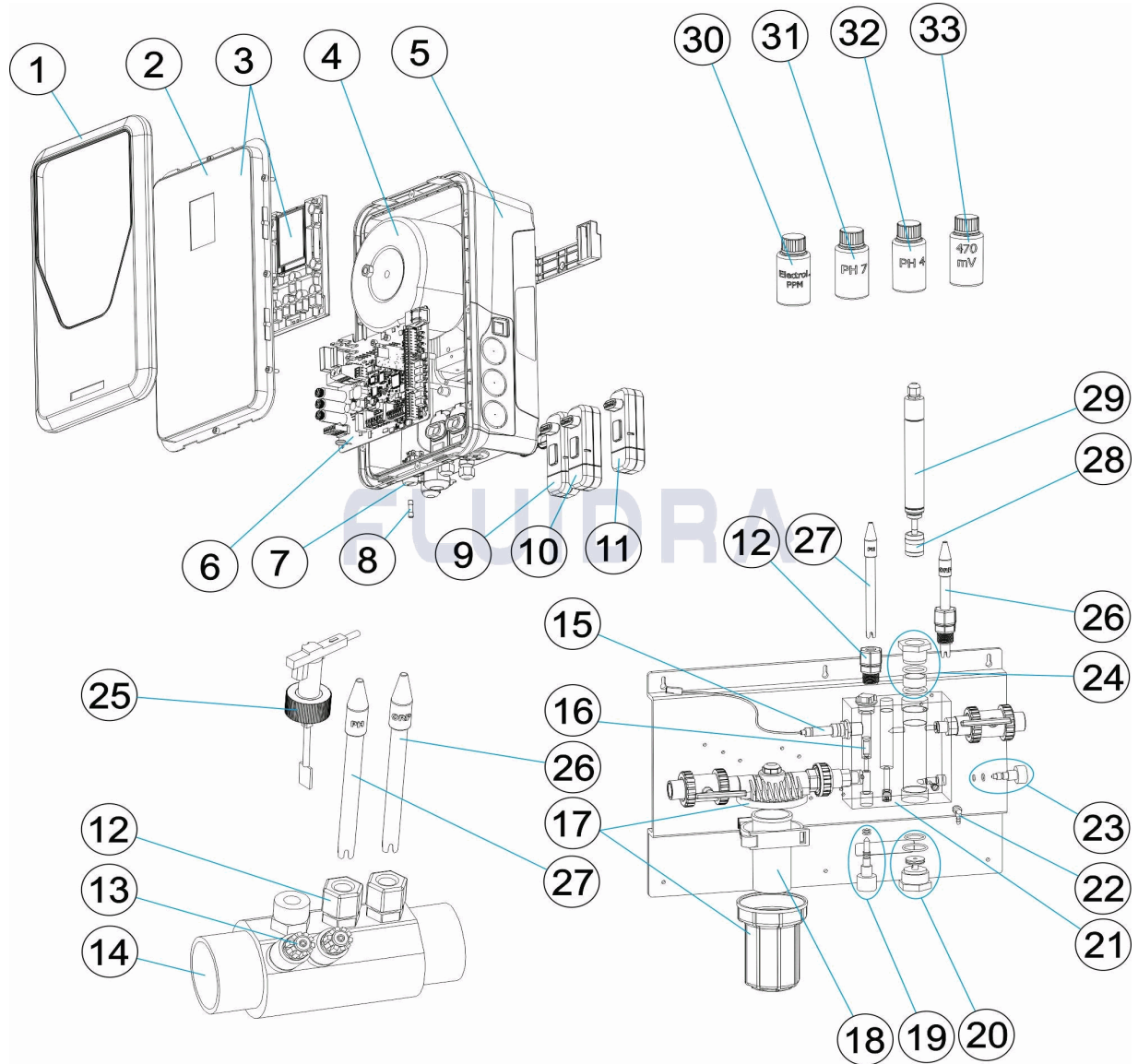
DESCRIZIONE: **CONTROL CONNECT**

OSSERVAZIONI

POS	CODICE	OSSERVAZIONI
6	* 4408040422	PER: 71537, 71538
6	* 4408040423	PER: 71539
10	* 73481	PER: 71537, 71538
11	* 76298	PER: 71539
12	* 4408070070	PER: 71537
14	* 4408040068	PER: 71537
15	* 4408041541	PER: 71538, 71539
16	* 4408040159	PER: 71538, 71539
17	* 4408041538	PER: 71538, 71539
18	* 4408041537	PER: 71538, 71539
19	* 4408040156	PER: 71538, 71539
20	* 4408040160	PER: 71539
21	* 4408040155	PER: 71538
21	* 4408041540	PER: 71539
22	* 4408040158	PER: 71538, 71539
23	* 4408040157	PER: 71538, 71539
24	* 4408040161	PER: 71539
28	* 60647	PER: 71539
29	* 60645	PER: 71539
30	* 60646	PER: 71539
33	* 60633	PER: 71537, 71538

CODE 71537, 71538, 71539

BESCHREIBUNG: CONTROL CONNECT



DEUTSCH

POS	CODE	BESCHREIBUNG	MENGE	POS	CODE	BESCHREIBUNG	MENGE
1	4408040367	FRONTALRAHMEN ELN GRAU		15	* 4408041541	INDUKTIVER DURCHFLUSSMESSER	
2	4408040366	FRONTAL ELITE CONNECT SCHWARZ		16	* 4408040159	SCHWIMMER DURCHFLUSSANZEIGE	
3	4408040298	BILDSCHIRM ELN		17	* 4408041538	SONDENHALTERUNG E/S 1/2"	
4	4408040265	TRAFO 110 VA		18	* 4408041537	SONDENHALTERUNG FILTER WASCHBAR	
5	4408040358	UNTERES GEHÄUSE ELITE CONNECT		19	* 4408040156	DURCHFLUSSVENTIL + O-RING	
6	* 4408040422	PBA PH-ORP		20	* 4408040160	STOPFEN UNTEN AMPEREMETRISCHE SOI	
6	* 4408040423	PBA PH-PPM		21	* 4408040155	SONDENHALTERUNG PH/ORP + PRX REPA	
7	4408040523	SICHERUNGSSITZ 5 X 20 RAHMEN		21	* 4408041540	SONDENHALTERUNG PH + CL	
8	4408041112	SICHERUNG 1 A		22	* 4408040158	ABLASS PROBEENTNAHME	
9	73480	ERWEITERUNGSMODUL PH		23	* 4408040157	VENTIL PROBEENTNAHME	
10	* 73481	ERWEITERUNGSMODUL ORP		24	* 4408040161	GEWINDESTÜCK + O-RING	
11	* 76298	ERWEITERUNGSMODUL PPM		25	71124	DURCHFLUSSMESSER	
12	* 4408070070	GEHÄUSE SENSOREN		26	60649	ORP-ELEKTRODE	

* SIEHE ANMERKUNGSBLATT

CODE **71537, 71538, 71539**

BESCHREIBUNG: **CONTROL CONNECT**

13	4408040604	ELEKTRODENSITZ PE 12 MM-1/2"	27	60648	ELEKTRODE KOMBINIERT PH
14	* 4408040068	INJEKTORVENTIL PH-MINUS 3/8"	28	* 60647	KOPFSTÜCK MEMBRAN FREICHLORMESSI
29	* 60645	FREICHLORMESSER	32	60632	PUFFER PH 4,0 50 ML (ROT)
30	* 60646	ELEKTROLYT ECC1/GEL SONDE CL	33	* 60633	KALIBRIERLÖSUNG 47 0MV
31	60618	PUFFER PH 7,0 50 M/L (GRÜN)			

CODE **71537, 71538, 71539**

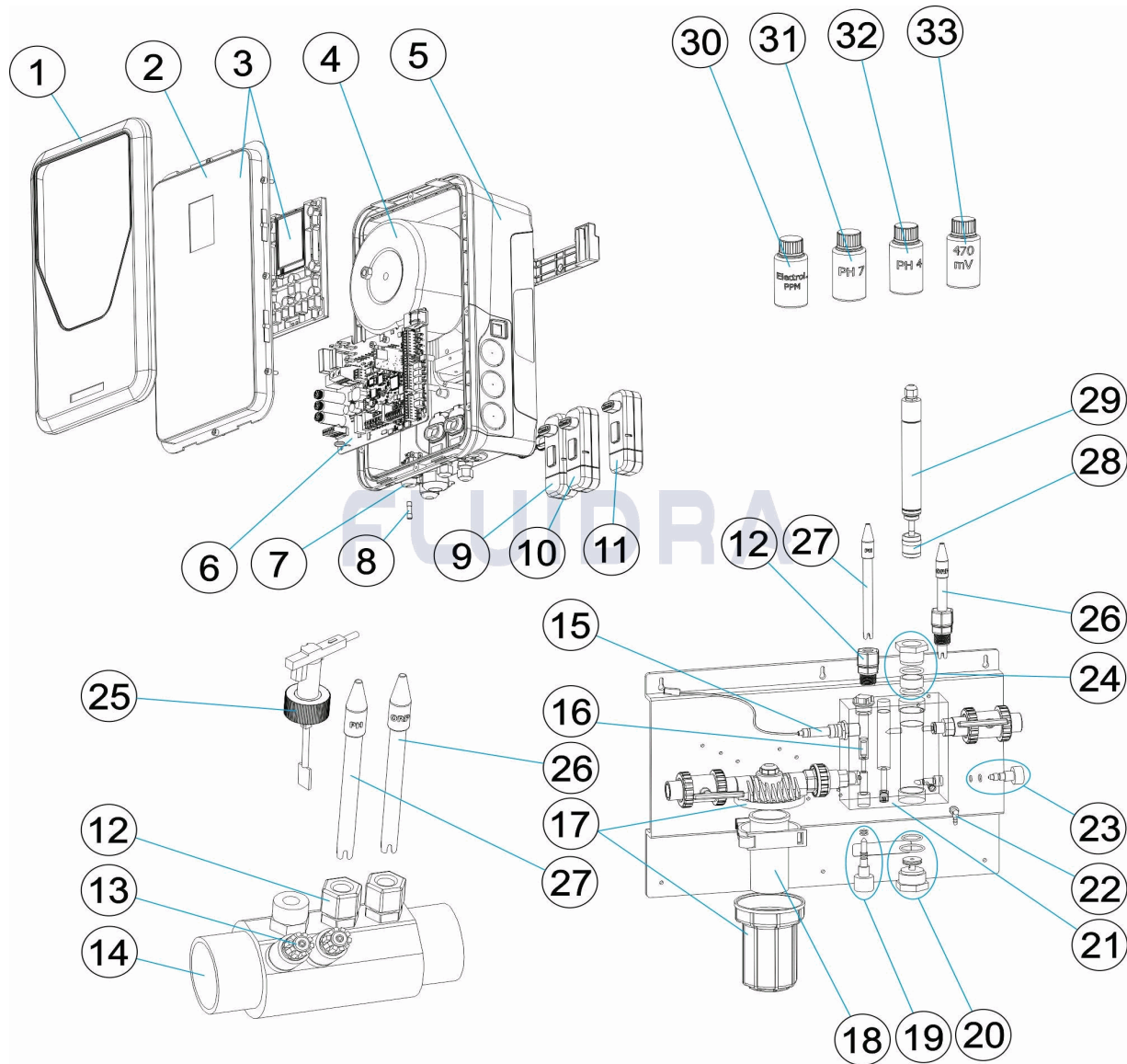
BESCHREIBUNG: **CONTROL CONNECT**

HINWEISE

POS	CODE	HINWEISE
6	* 4408040422	FÜR: 71537, 71538
6	* 4408040423	FÜR: 71539
10	* 73481	FÜR: 71537, 71538
11	* 76298	FÜR: 71539
12	* 4408070070	FÜR: 71537
14	* 4408040068	FÜR: 71537
15	* 4408041541	FÜR: 71538, 71539
16	* 4408040159	FÜR: 71538, 71539
17	* 4408041538	FÜR: 71538, 71539
18	* 4408041537	FÜR: 71538, 71539
19	* 4408040156	FÜR: 71538, 71539
20	* 4408040160	FÜR: 71539
21	* 4408040155	FÜR: 71538
21	* 4408041540	FÜR: 71539
22	* 4408040158	FÜR: 71538, 71539
23	* 4408040157	FÜR: 71538, 71539
24	* 4408040161	FÜR: 71539
28	* 60647	FÜR: 71539
29	* 60645	FÜR: 71539
30	* 60646	FÜR: 71539
33	* 60633	FÜR: 71537, 71538

CODIGO 71537, 71538, 71539

DESCRIÇÃO: CONTROL CONNECT



PORTUGUES

POS	CODIGO	DESCRIÇÃO	JANTIDADE	POS	CODIGO	DESCRIÇÃO	JANTIDADE
1	4408040367	CAIXILHO FRONTAL ELN CINZENTO		15	* 4408041541	SONDA DE CAUDAL INDUTIVA	
2	4408040366	FRONTAL ELITE CONNECT PRETO		16	* 4408040159	BOIA DETETOR DE CAUDAL	
3	4408040298	PLACA VISUALIZAÇÃO ELN		17	* 4408041538	PORTA-SONDAS E/S 1/2"	
4	4408040265	TRANSFORMADOR POTÊNCIA 110VA		18	* 4408041537	FILTRO PORTA-SONDAS LAVÁVEL	
5	4408040358	CORPO INFERIOR ELITE CONNECT		19	* 4408040156	VÁLVULA CAUDAL + JUNTA TÓRICA	
6	* 4408040422	PBA PH-ORP		20	* 4408040160	TAMPA INFERIOR Sonda AMPEROMÉTRIC,	
6	* 4408040423	PBA PH-PPM		21	* 4408040155	PORTA-SONDAS PH/ORP + PRX REP/VTA	
7	4408040523	PORTAFUSIVEIS 5X20 CHASIS		21	* 4408041540	PORTA-SONDAS PH + CL	
8	4408041112	FUSÍVEL 1A		22	* 4408040158	SAÍDA DESCARGA RECOLHA AMOSTRAS	
9	73480	MÓDULO DE EXPANSÃO PH		23	* 4408040157	VÁLVULA RECOLHA AMOSTRAS	
10	* 73481	MÓDULO DE EXPANSÃO ORP		24	* 4408040161	RACORD + JUNTA TÓRICA	
11	* 76298	MÓDULO DE EXPANSÃO PPM		25	71124	FLUXO-ESTATO	
12	* 4408070070	CORPO SENSORES		26	60649	ELECTRODO ORP	

* VEJA A FICHA DE OBSERVAÇÕES

CODIGO **71537, 71538, 71539**

DESCRIÇÃO: **CONTROL CONNECT**

13	4408040604	PORTAELECTRODOS PE 12M/M-1/2"	27	60648	ELECTRODO COMBINADO PH
14	* 4408040068	VALVOLA INJEÇÃO PH-MINUS 3/8"	28	* 60647	CÁPSULA MEMBRANA PARA SONDA CLORO
29	* 60645	SONDA DE CLORO LIVRE	32	60632	SOLUÇÃO TAMPÃO PH 4,0 50 ML. (VERMEL
30	* 60646	ELECTROLITO	33	* 60633	SOLUÇÃO TAMPÃO 470 MV
31	60618	SOLUÇÃO TAMPÃO PH 7,0 50 M/L. (VERDE			

CODIGO **71537, 71538, 71539**

DESCRIÇÃO: CONTROL CONNECT

OBSERVAÇÕES

POS	CODIGO	OBSERVAÇÕES
6	* 4408040422	PARA: 71537, 71538
6	* 4408040423	PARA: 71539
10	* 73481	PARA: 71537, 71538
11	* 76298	PARA: 71539
12	* 4408070070	PARA: 71537
14	* 4408040068	PARA: 71537
15	* 4408041541	PARA: 71538, 71539
16	* 4408040159	PARA: 71538, 71539
17	* 4408041538	PARA: 71538, 71539
18	* 4408041537	PARA: 71538, 71539
19	* 4408040156	PARA: 71538, 71539
20	* 4408040160	PARA: 71539
21	* 4408040155	PARA: 71538
21	* 4408041540	PARA: 71539
22	* 4408040158	PARA: 71538, 71539
23	* 4408040157	PARA: 71538, 71539
24	* 4408040161	PARA: 71539
28	* 60647	PARA: 71539
29	* 60645	PARA: 71539
30	* 60646	PARA: 71539
33	* 60633	PARA: 71537, 71538