

DESPIECE

REV: 0

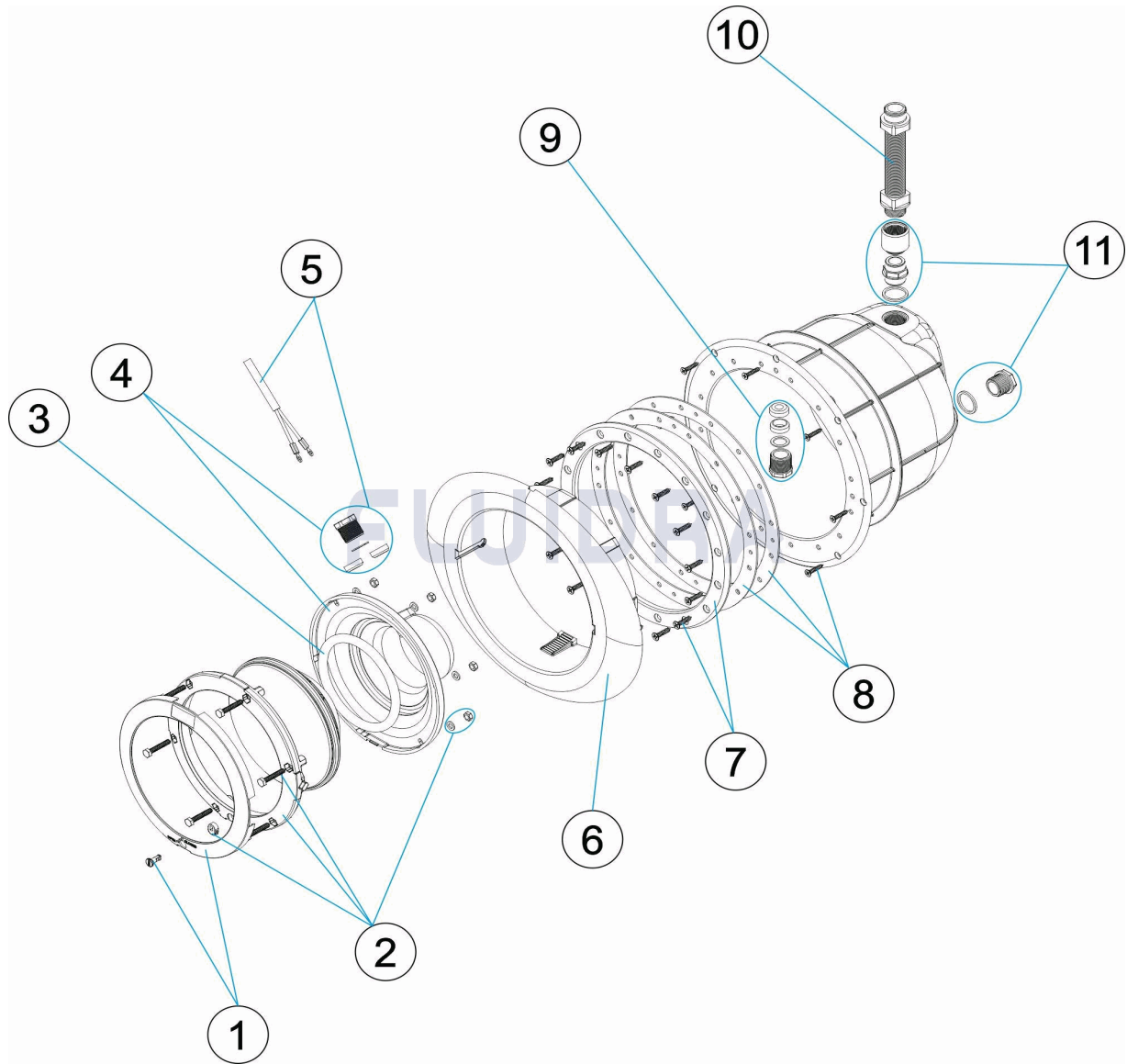
1417

FECHA: 27/04/2021

HOJA: 1/2

CODIGO 71670IP04, 71670IP04CL090, 71670IP04CL129, 71670IP04CL144

DESCRIPCION: PROYECTOR ORIENTABLE PARKER



ESPAÑOL

POS	CODIGO	DESCRIPCION	CANTIDAD	POS	CODIGO	DESCRIPCION	CANTIDAD
1	* 4403010154	EMBELLECEDOR PROYECTOR		6	* 4403010176	EMBELLECEDOR PROYECTOR	
1	* 4403010172	EMBELLECEDOR PROYECTOR		6	* 4403010177	EMBELLECEDOR PROYECTOR	
1	* 4403010173	EMBELLECEDOR PROYECTOR		6	* 4403010178	EMBELLECEDOR PROYECTOR	
1	* 4403010174	EMBELLECEDOR PROYECTOR		7	4403013506	BRIDA FIJACION PROYECTOR (PARKER)	
2	4403010155	MARCO NICHOS		8	4403010402	JUNTA ADHESIVA ANCHA PROYECTOR STC	
3	4403010304	JUNTA TORICA PROYECTOR		9	4403014001	PRENSAESTOPAS FOCO PROYECTOR LED	
4	4403010156	FONDO PROYECTOR		10	4403010059	MANGUERA PASACABLES M-25 3/4"	
5	4403014003	CABLE PROYECTOR LEDS		11	4403010313	PRENSAESTOPAS CUERPO PROYECTOR I	
6	* 4403010175	EMBELLECEDOR PROYECTOR					

* NOTA OBSERVACIONES

DESPIECE

REV: 0

1417

FECHA: 27/04/2021

HOJA: 2/2

CODIGO 71670IP04, 71670IP04CL090, 71670IP04CL129, 71670IP04CL144

DESCRIPCION: PROYECTOR ORIENTABLE PARKER

OBSERVACIONES

POS	CODIGO	OBSERVACIONES
1	* 4403010154	PARA: 71670IP04 WHITE
1	* 4403010172	PARA: 71670IP04CL090 BEIGE
1	* 4403010173	PARA: 71670IP04CL129 GREY
1	* 4403010174	PARA: 71670IP04CL144 ANTHRACITE
6	* 4403010175	PARA: 71670IP04 WHITE
6	* 4403010176	PARA: 71670IP04CL090 BEIGE
6	* 4403010177	PARA: 71670IP04CL129 GREY
6	* 4403010178	PARA: 71670IP04CL144 ANTHRACITE

ÉCLATÉ

REV.: 0

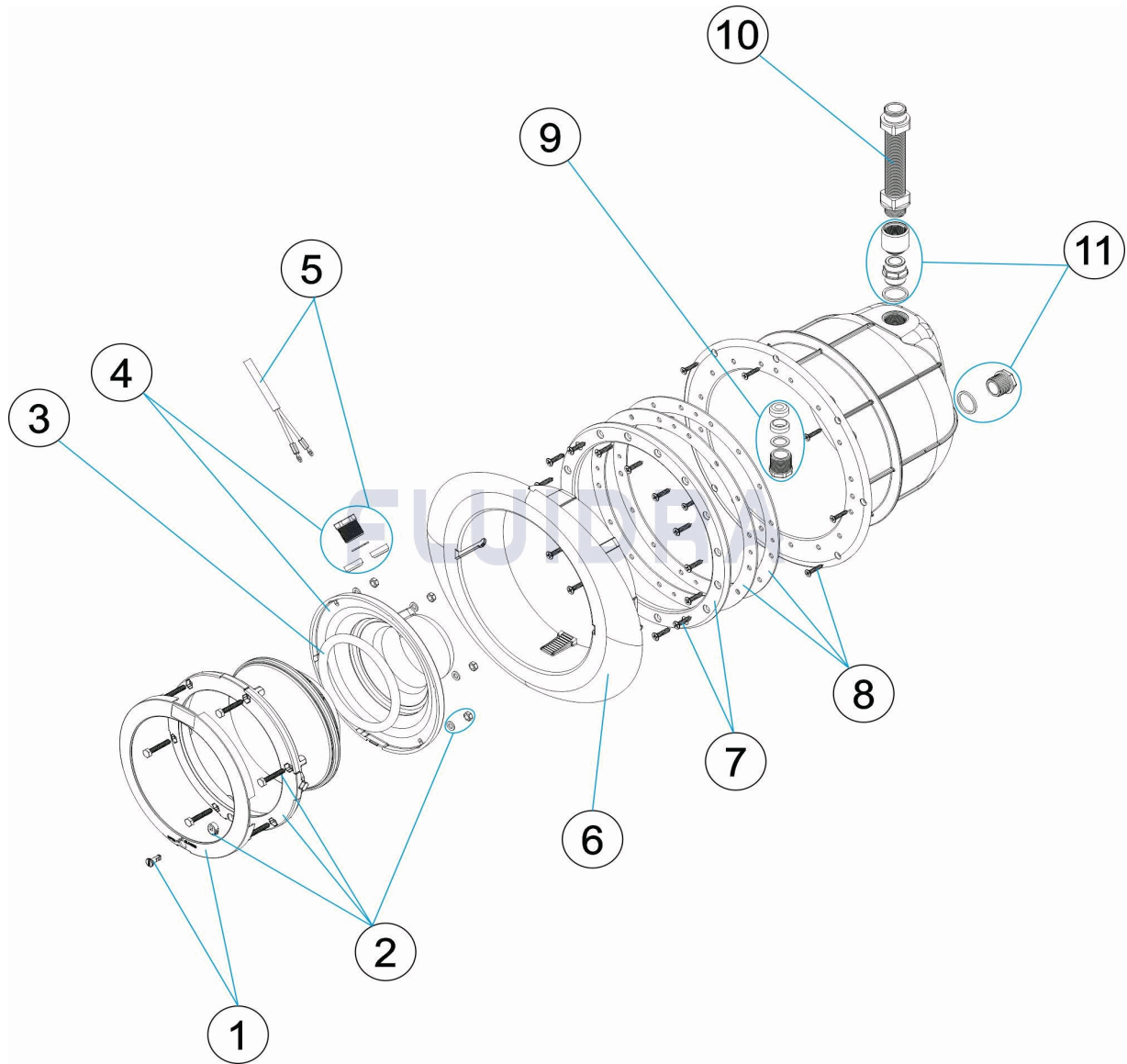
1417

DATE: 27/04/2021

PAG.: 1/2

CODE 71670IP04, 71670IP04CL090, 71670IP04CL129, 71670IP04CL144

DESCRIPTION: PROJECTEUR ORIENTABLE PARKER



FRANCAIS

POS	CODE	DESCRIPTION	QUANTITE	POS	CODE	DESCRIPTION	QUANTITE
1	* 4403010154	ENJOLIVEUR DE PROJECTEUR		6	* 4403010176	ENJOLIVEUR DE PROJECTEUR	
1	* 4403010172	ENJOLIVEUR DE PROJECTEUR		6	* 4403010177	ENJOLIVEUR DE PROJECTEUR	
1	* 4403010173	ENJOLIVEUR DE PROJECTEUR		6	* 4403010178	ENJOLIVEUR DE PROJECTEUR	
1	* 4403010174	ENJOLIVEUR DE PROJECTEUR		7	4403013506	BRIDE FIXATION PROJECTEUR (PARKER)	
2	4403010155	BRIDE DE NICHE		8	4403010402	JOINT ADHESIF	
3	4403010304	JOINT TORIQUE PROJECTEUR		9	4403014001	PRESSE ETOUPE FOND PROJECTEUR LEC	
4	4403010156	NICHE DE LAMPE		10	4403010059	TUYAU ANNEAU M-25	
5	4403014003	CABLE PROJECTOUR LEDS		11	4403010313	CORPS PRESSE ETOUPE M-25	
6	* 4403010175	ENJOLIVEUR DE PROJECTEUR					

* VOIR FICHE D'OBSERVATIONS

ÉCLATÉ

REV.: 0

1417

DATE: 27/04/2021

PAG.: 2/2

CODE **71670IP04, 71670IP04CL090, 71670IP04CL129, 71670IP04CL144**DESCRIPTION: **PROJECTEUR ORIENTABLE PARKER**

OBSERVATIONS

POS	CODE	OBSERVATIONS
1	* 4403010154	POUR: 71670IP04 WHITE
1	* 4403010172	POUR: 71670IP04CL090 BEIGE
1	* 4403010173	POUR: 71670IP04CL129 GREY
1	* 4403010174	POUR: 71670IP04CL144 ANTHRACITE
6	* 4403010175	POUR: 71670IP04 WHITE
6	* 4403010176	POUR: 71670IP04CL090 BEIGE
6	* 4403010177	POUR: 71670IP04CL129 GREY
6	* 4403010178	POUR: 71670IP04CL144 ANTHRACITE

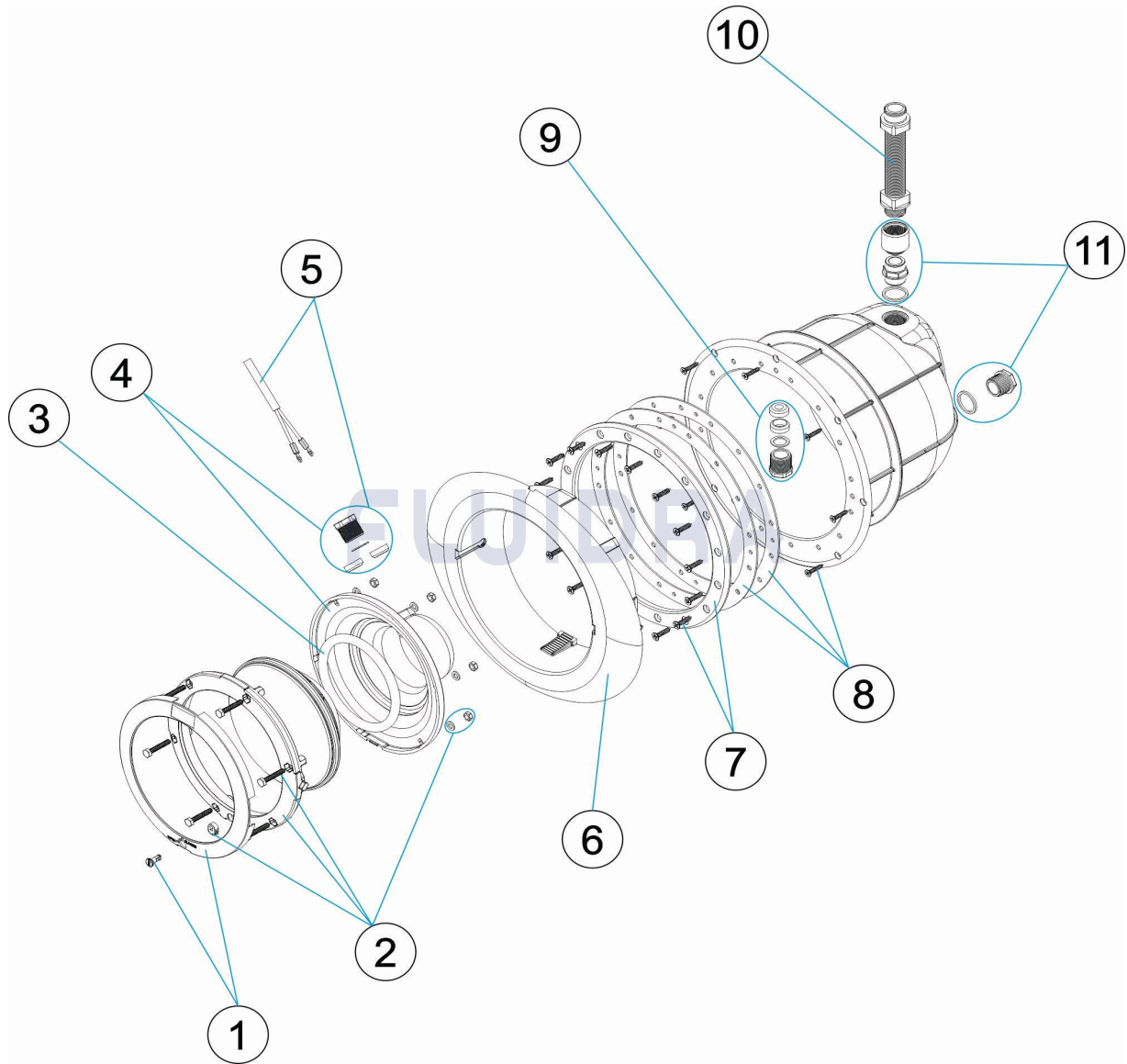
PARTS BREAKDOWN

REV.: 0
DATE: 27/04/2021
SHEET: 1/2

1417

CODE 71670IP04, 71670IP04CL090, 71670IP04CL129, 71670IP04CL144

DESCRIPTION: ADJUSTABLE LIGHT PARKER



ENGLISH

POS	CODE	DESCRIPTION	QUANTITY	POS	CODE	DESCRIPTION	QUANTITY
1	* 4403010154	LIGHT FACEPLATE		6	* 4403010176	LIGHT FACEPLATE	
1	* 4403010172	LIGHT FACEPLATE		6	* 4403010177	LIGHT FACEPLATE	
1	* 4403010173	LIGHT FACEPLATE		6	* 4403010178	LIGHT FACEPLATE	
1	* 4403010174	LIGHT FACEPLATE		7	4403013506	LIGHT FIXING FLANGE (PARKER)	
2	4403010155	NICHE RIM		8	4403010402	ADHESIVE GASKET	
3	4403010304	LIGHT O RING		9	4403014001	PACKING GLANDUWL LEDS	
4	4403010156	LIGHT BOTTOM		10	4403010059	HOSE CONDUIT M-25	
5	4403014003	CABLE FOR UWL LEDS		11	4403010313	BODY PACKING GLAND M-25	
6	* 4403010175	LIGHT FACEPLATE					

* SEE OBSERVATIONS SHEET

PARTS BREAKDOWN

REV.: 0
DATE: 27/04/2021
SHEET: 2/2

1417

CODE 71670IP04, 71670IP04CL090, 71670IP04CL129, 71670IP04CL144

DESCRIPTION: ADJUSTABLE LIGHT PARKER

OBSERVATIONS

POS	CODE	OBSERVATIONS
1	* 4403010154	FOR: 71670IP04 WHITE
1	* 4403010172	FOR: 71670IP04CL090 BEIGE
1	* 4403010173	FOR: 71670IP04CL129 GREY
1	* 4403010174	FOR: 71670IP04CL144 ANTHRACITE
6	* 4403010175	FOR: 71670IP04 WHITE
6	* 4403010176	FOR: 71670IP04CL090 BEIGE
6	* 4403010177	FOR: 71670IP04CL129 GREY
6	* 4403010178	FOR: 71670IP04CL144 ANTHRACITE

ESPLOSO

REV.: 0

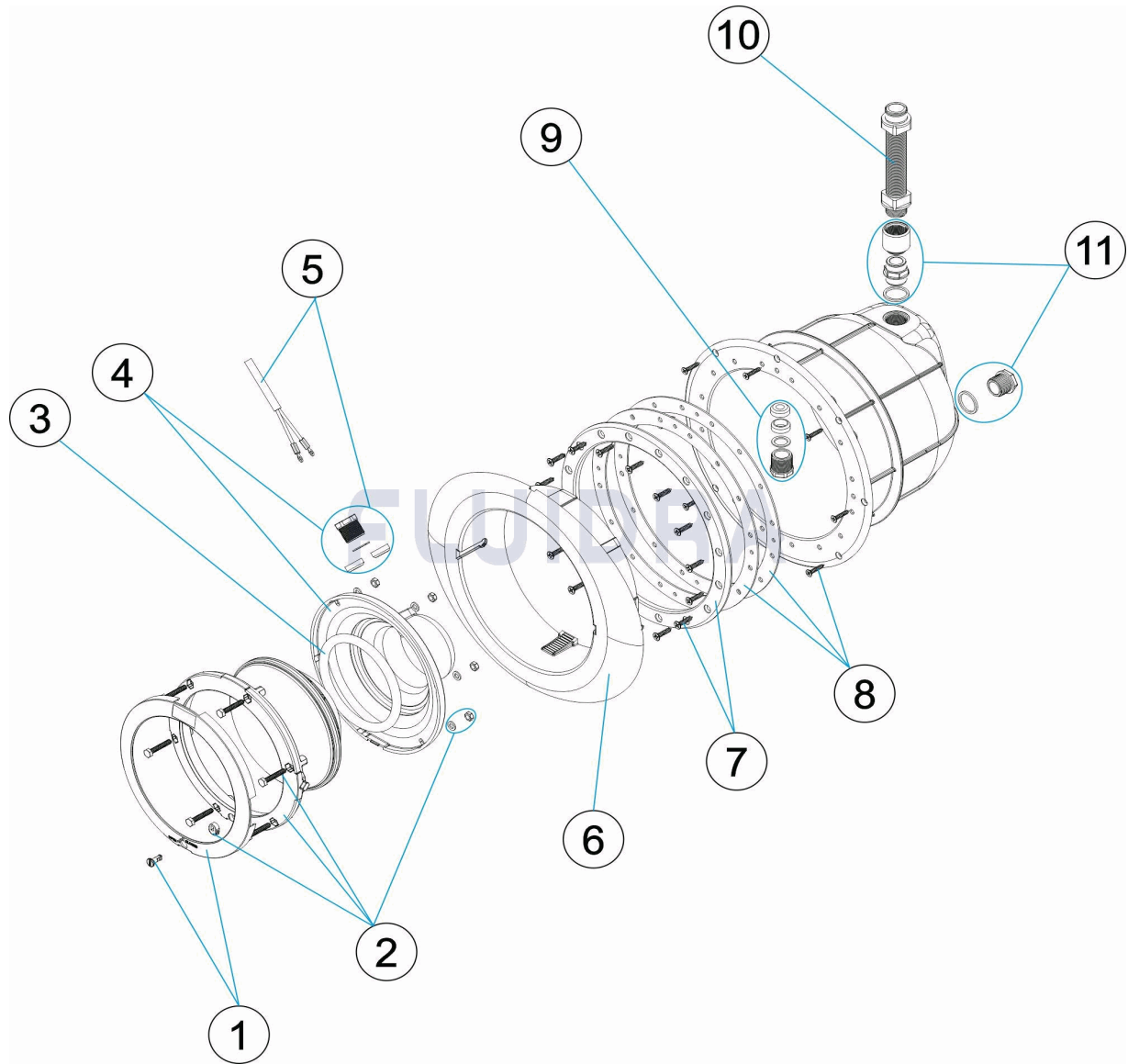
1417

DATA: 27/04/2021

PAG.: 1/2

CODICE 71670IP04, 71670IP04CL090, 71670IP04CL129, 71670IP04CL144

DESCRIZIONE: PROIETTORE ORIENTABILE PARKER



ITALIANO

POS	CODICE	DESCRIZIONE	QUANTITA'	POS	CODICE	DESCRIZIONE	QUANTITA'
1	* 4403010154	ANELLO FRONTALE FARO		6	* 4403010176	ANELLO FRONTALE FARO	
1	* 4403010172	ANELLO FRONTALE FARO		6	* 4403010177	ANELLO FRONTALE FARO	
1	* 4403010173	ANELLO FRONTALE FARO		6	* 4403010178	ANELLO FRONTALE FARO	
1	* 4403010174	ANELLO FRONTALE FARO		7	4403013506	FLANGIA FISSAGGIO FARO (PARKER)	
2	4403010155	FLANGIA NICCHIA		8	4403010402	GUARNIZIONE ADESIVA	
3	4403010304	O-RING FARO		9	4403014001	PRESSACAVI CALOTTA FARO LEDS	
4	4403010156	CALOTTA FARO		10	4403010059	TUBO PASSACAVO M-25	
5	4403014003	CAVO FARO LEDS		11	4403010313	PRESSACAVI CORPO M-25	
6	* 4403010175	ANELLO FRONTALE FARO					

* SI FACCIA RIFERIMENTO AL FOGLIO DELLE OSSERVAZIONI

ESPLOSO

REV.: 0
DATA: 27/04/2021
PAG.: 2/2

1417

CODICE **71670IP04, 71670IP04CL090, 71670IP04CL129, 71670IP04CL144**

DESCRIZIONE: **PROIETTORE ORIENTABILE PARKER**

OSSERVAZIONI

POS	CODICE	OSSERVAZIONI
1	* 4403010154	PER: 71670IP04 WHITE
1	* 4403010172	PER: 71670IP04CL090 BEIGE
1	* 4403010173	PER: 71670IP04CL129 GREY
1	* 4403010174	PER: 71670IP04CL144 ANTHRACITE
6	* 4403010175	PER: 71670IP04 WHITE
6	* 4403010176	PER: 71670IP04CL090 BEIGE
6	* 4403010177	PER: 71670IP04CL129 GREY
6	* 4403010178	PER: 71670IP04CL144 ANTHRACITE

EINZELTEILE

ÜBER.: 0

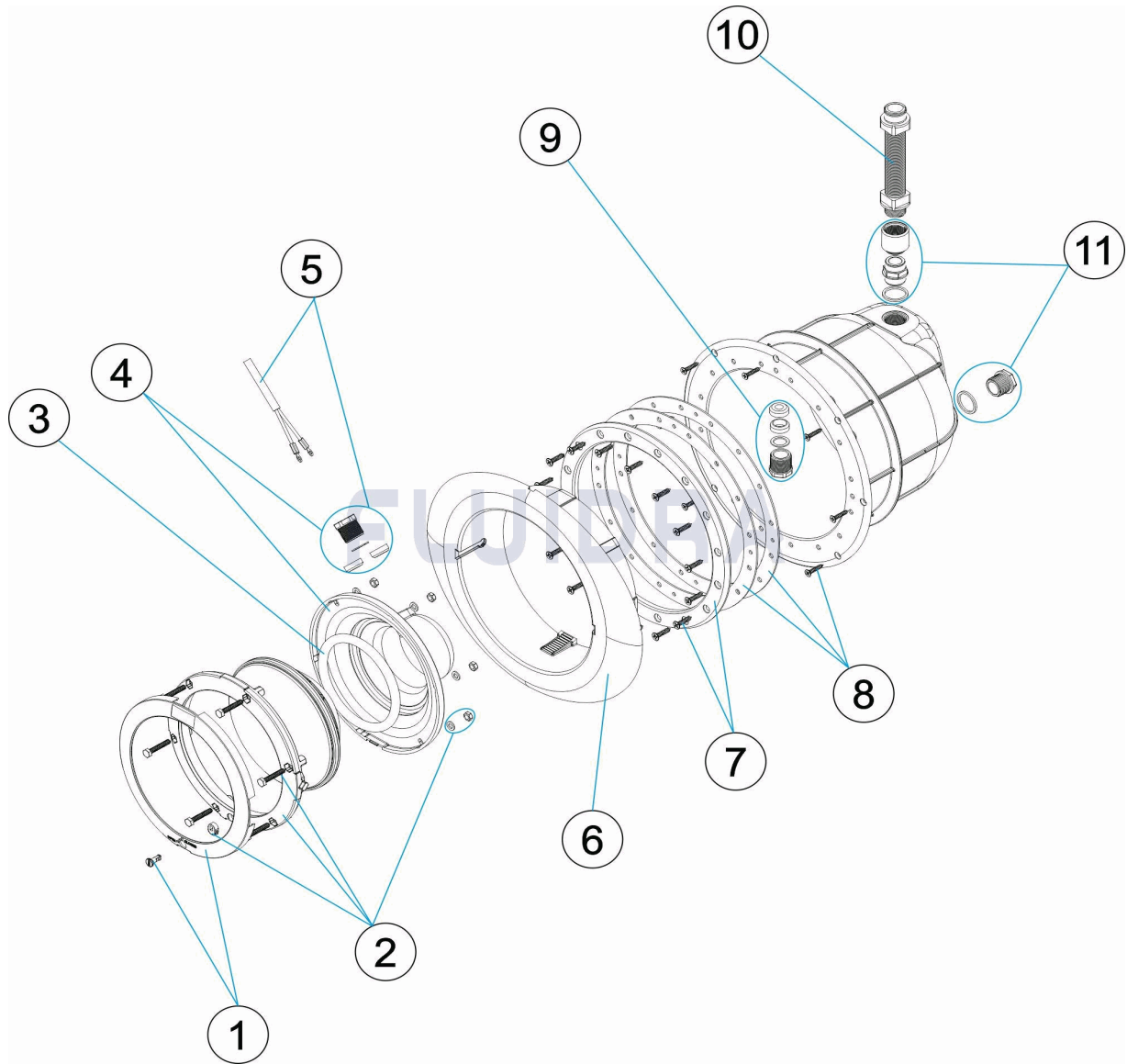
1417

DATUM: 27/04/2021

BLATT: 1/2

CODE 71670IP04, 71670IP04CL090, 71670IP04CL129, 71670IP04CL144

BESCHREIBUNG: UWS ORIENTIERBAR PARKER



DEUTSCH

POS	CODE	BESCHREIBUNG	MENGE	POS	CODE	BESCHREIBUNG	MENGE
1	* 4403010154	BLLENDE UWS		6	* 4403010176	BLLENDE UWS	
1	* 4403010172	BLLENDE UWS		6	* 4403010177	BLLENDE UWS	
1	* 4403010173	BLLENDE UWS		6	* 4403010178	BLLENDE UWS	
1	* 4403010174	BLLENDE UWS		7	4403013506	BEFESTIGUNGSFLANSCH UWS (PARKER)	
2	4403010155	RAHMEN EINBAUTOPF		8	4403010402	DICHTUNG SELBSTKLEBEND BREIT UWS	
3	4403010304	O-RING UWS		9	4403014001	QUETSCHVERSCHRAUBUNG LAMPE UWS	
4	4403010156	BASIS UWS		10	4403010059	SCHLAUCH KABELDURCHFÜHRUNG M-25	
5	4403014003	UWS-KABEL LED		11	4403010313	QUETSCHVERSCHRAUBUNG GEHÄUSE UWS	
6	* 4403010175	BLLENDE UWS					

* SIEHE ANMERKUNGSBLATT

EINZELTEILE

ÜBER.: 0

1417

DATUM: 27/04/2021

BLATT: 2/2

CODE **71670IP04, 71670IP04CL090, 71670IP04CL129, 71670IP04CL144**BESCHREIBUNG: **UWS ORIENTIERBAR PARKER**

HINWEISE

POS	CODE	HINWEISE
1	* 4403010154	FÜR: 71670IP04 WHITE
1	* 4403010172	FÜR: 71670IP04CL090 BEIGE
1	* 4403010173	FÜR: 71670IP04CL129 GREY
1	* 4403010174	FÜR: 71670IP04CL144 ANTHRACITE
6	* 4403010175	FÜR: 71670IP04 WHITE
6	* 4403010176	FÜR: 71670IP04CL090 BEIGE
6	* 4403010177	FÜR: 71670IP04CL129 GREY
6	* 4403010178	FÜR: 71670IP04CL144 ANTHRACITE

ITEM

REV.: 0

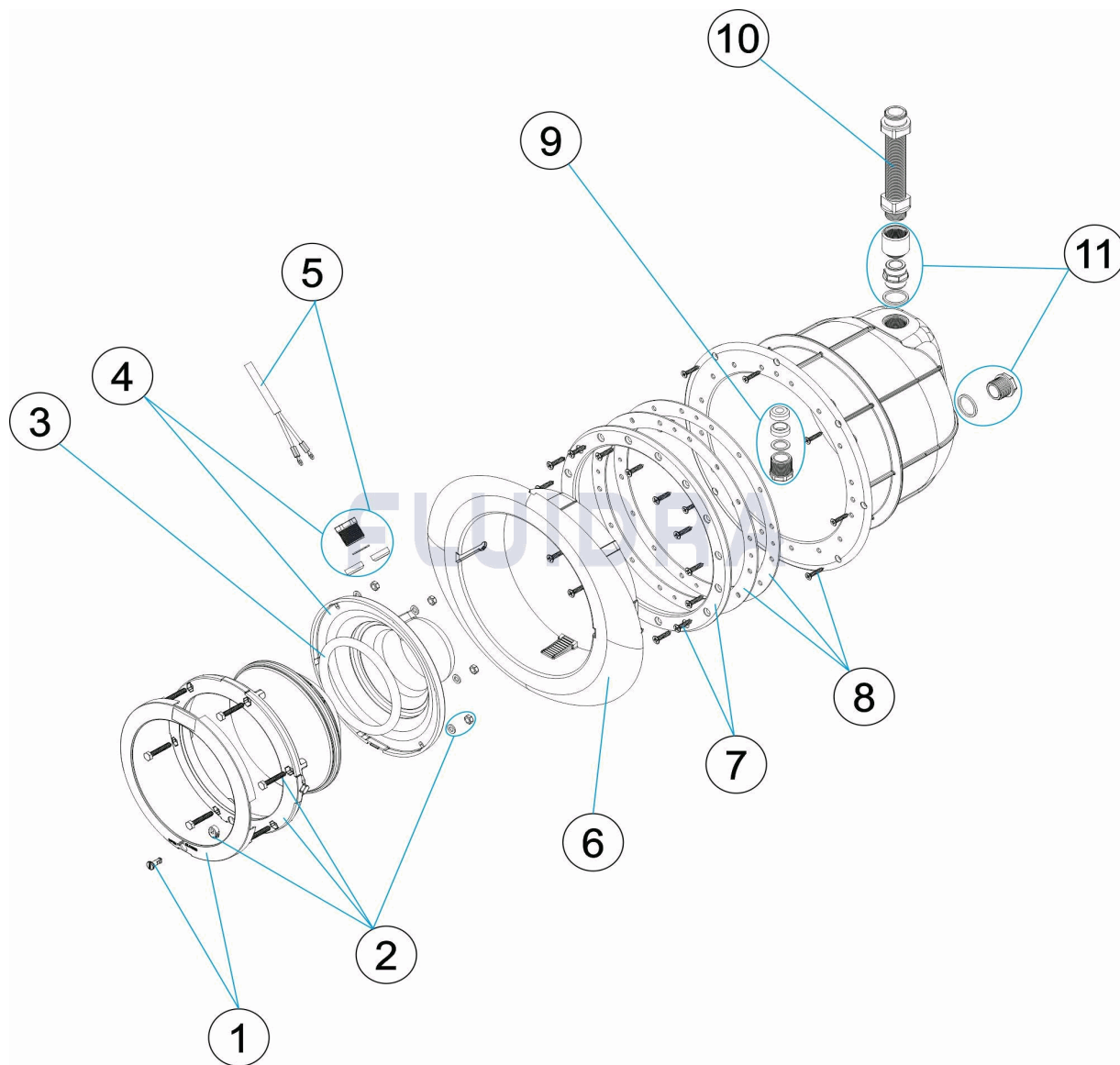
1417

DATA: 27/04/2021

FOLHA: 1/2

CODIGO 71670IP04, 71670IP04CL090, 71670IP04CL129, 71670IP04CL144

DESCRIÇÃO: PROJECTOR ORIENTÁVEL PARKER



PORTUGUES

POS	CODIGO	DESCRIÇÃO	JANTIDADE	POS	CODIGO	DESCRIÇÃO	JANTIDADE
1	* 4403010154	EMBELEZADOR PROJECTOR		6	* 4403010176	EMBELEZADOR PROJECTOR	
1	* 4403010172	EMBELEZADOR PROJECTOR		6	* 4403010177	EMBELEZADOR PROJECTOR	
1	* 4403010173	EMBELEZADOR PROJECTOR		6	* 4403010178	EMBELEZADOR PROJECTOR	
1	* 4403010174	EMBELEZADOR PROJECTOR		7	4403013506	FLANGE FIXAÇÃO PROJECTOR (PARKER)	
2	4403010155	MARCA NICHÓ		8	4403010402	JUNTA ADESIVA	
3	4403010304	JUNTA TÓRICA PROJECTOR		9	4403014001	PRENSAESTOPAS FOCO PROJECTOR LED	
4	4403010156	FUNDO PROJECTOR		10	4403010059	MANGUEIRA ANILHA M-25	
5	4403014003	CABO PROJECTOR LEDS		11	4403010313	BUCIN CORPO M-25	
6	* 4403010175	EMBELEZADOR PROJECTOR					

* VEJA A FICHA DE OBSERVAÇÕES

ITEM

REV.: 0

1417

DATA: 27/04/2021

FOLHA: 2/2

CODIGO 71670IP04, 71670IP04CL090, 71670IP04CL129, 71670IP04CL144

DESCRIÇÃO: PROJECTOR ORIENTÁVEL PARKER

OBSERVAÇÕES

POS	CODIGO	OBSERVAÇÕES
1	* 4403010154	PARA: 71670IP04 WHITE
1	* 4403010172	PARA: 71670IP04CL090 BEIGE
1	* 4403010173	PARA: 71670IP04CL129 GREY
1	* 4403010174	PARA: 71670IP04CL144 ANTHRACITE
6	* 4403010175	PARA: 71670IP04 WHITE
6	* 4403010176	PARA: 71670IP04CL090 BEIGE
6	* 4403010177	PARA: 71670IP04CL129 GREY
6	* 4403010178	PARA: 71670IP04CL144 ANTHRACITE