

# KIT

REV: 0

1571

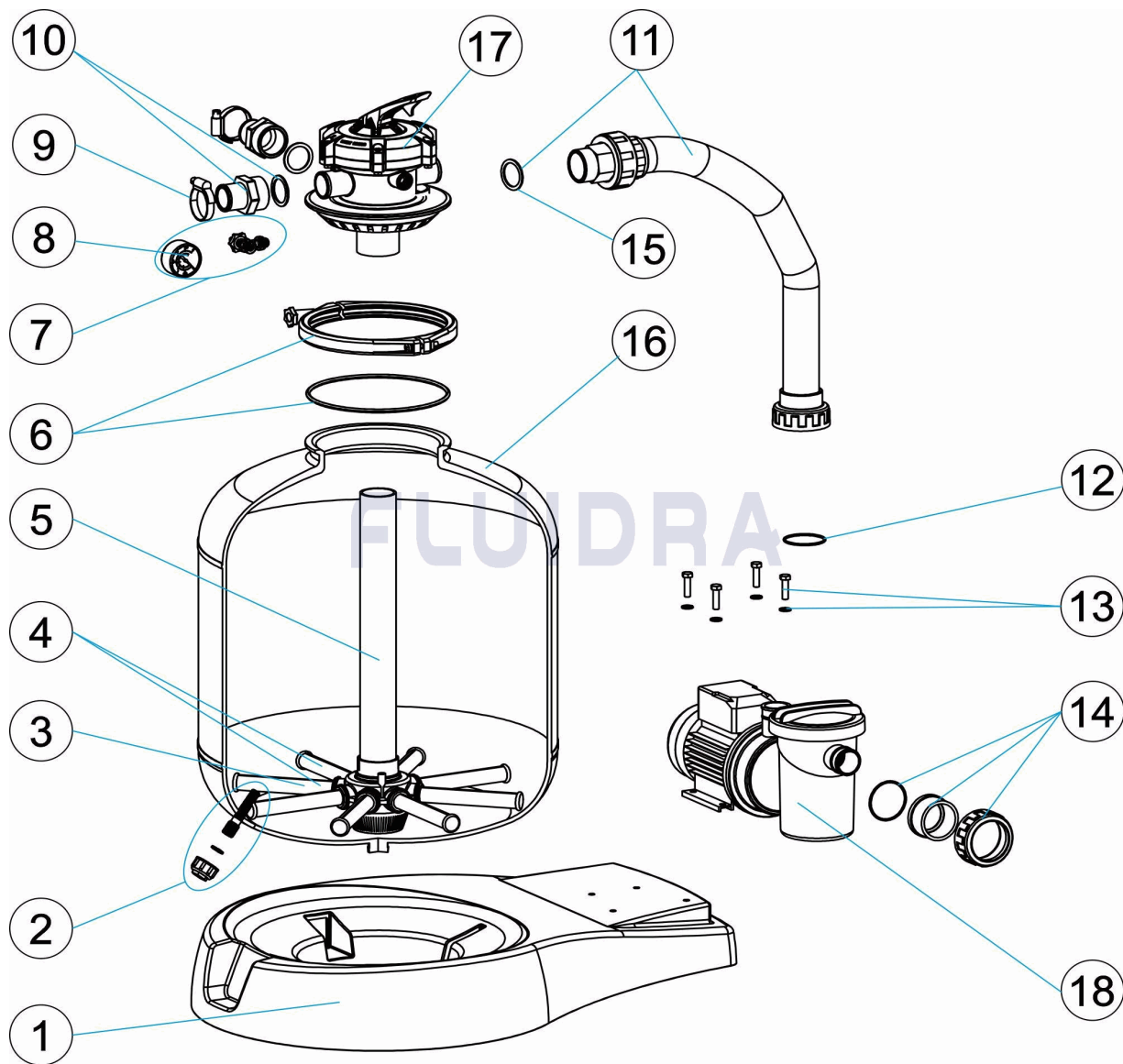
FECHA: 15/09/2021

HOJA: 1/2

CODIGO

**M00661**

DESCRIPCION: **MONOBLOC D. 500**



**ESPAÑOL**

POS	CODIGO	DESCRIPCION	CANTIDAD	POS	CODIGO	DESCRIPCION	CANTIDAD
1	4404300409	BASE INYECTADA D. 560		10	4411020408	MANGUITO + JUNTA	
2	4404220103	PURGA ARENA		11	4411020004	MANGUERA CONEXION D. 50	
3	* 4404300120	BRAZO COLECTOR ¾" 160 M "		12	4405010666	JUNTA TORICA 51,8X3,1 NBR	
4	4404010074	CJTO. BRAZOS COLECTOR D. 450 - 500		13	4404250012	TORNILLOS FIJACION BOMBA	
5	4404250024	CJTO. COLECTOR D. 500 TOP		14	4405010665	ACCESORIOS ENLACE	
6	4411020402A	ZUNCHO PLASTICO		15	4404120000	JUNTA PLANA 1 ½"	
7	4411020206A	MANOMETRO COMPLETO		16	154050001RTZ	CUERPO FILTRO D. 500	
8	4411020407	MANOMETRO 1/8" 3 KG/C "		17	38468	VALVULA SELECTORA 1 ½"	
9	4411030503	ABRAZADERA		18	M00602	BOMBA P-XPert 12/14/16	

\* NOTA OBSERVACIONES

# KIT

REV: 0  
FECHA: 15/09/2021  
HOJA: 2/2

1571

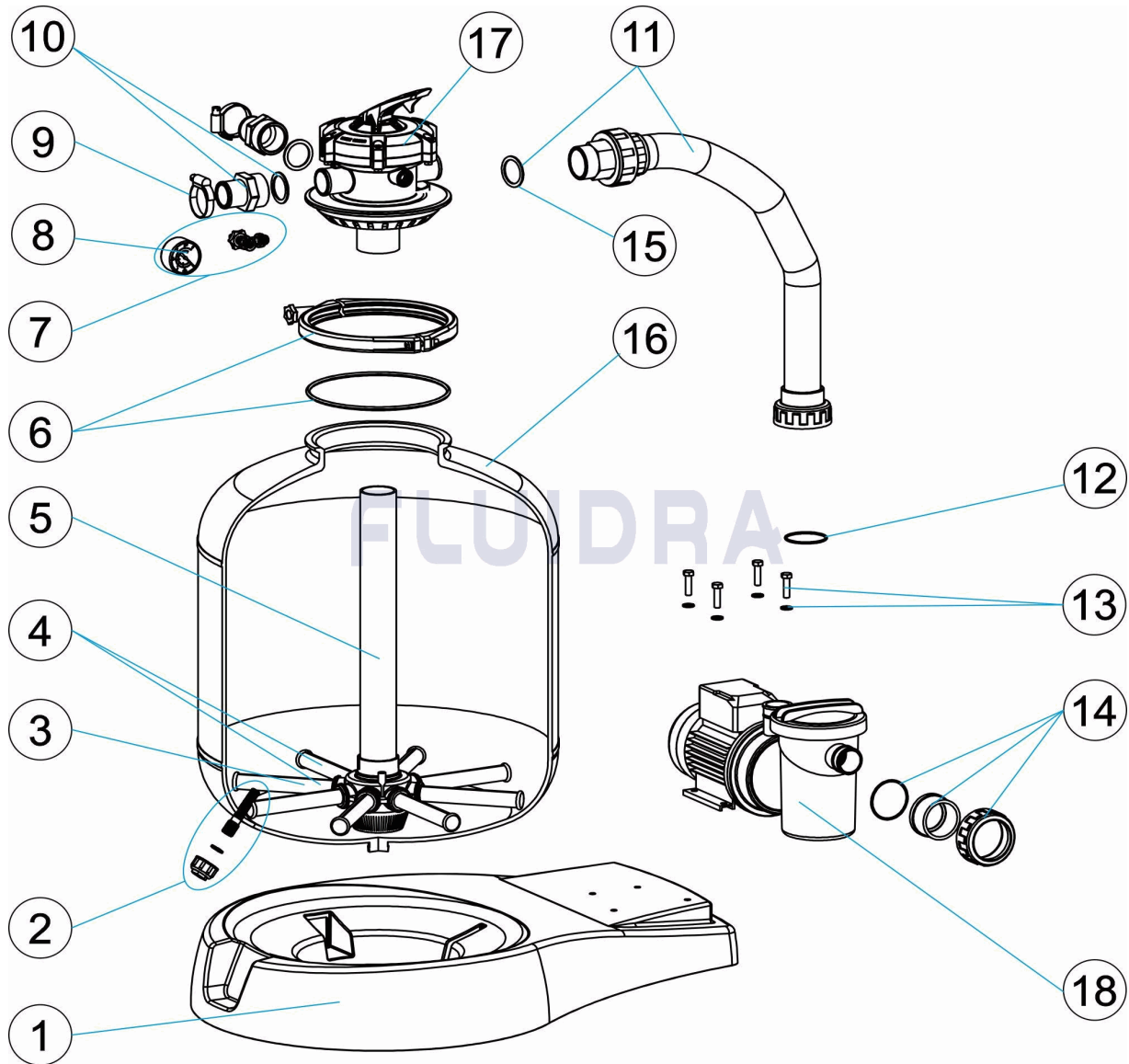
CODIGO **M00661**

DESCRIPCION: **MONOBLOC D. 500**

## OBSERVACIONES

POS	CODIGO	OBSERVACIONES
3	* 4404300120	PARA: M00661 [4UNIDADES]

CODE **M00661**  
DESCRIPTION: **MONOBLOC D. 500**



**FRANCAIS**

POS	CODE	DESCRIPTION	QUANTITE	POS	CODE	DESCRIPTION	QUANTITE
1	4404300409	BASE INJECTÉE D. 560		10	4411020408	RACCORD + JOINT	
2	4404220103	PURGE SABLE		11	4411020004	CONNECTION HOSE D. 50	
3	* 4404300120	BRAS DE REPARTITEUR 3/4" 160M "		12	4405010666	JOINT TORIQUE 51,8X3,1 NBR	
4	4404010074	ENSEMBLE BRAS DE REPARTITEUR D. 45C		13	4404250012	VISSERIE DE FIXATION DE POMPE	
5	4404250024	ENSEMBLE COLLECTEUR D. 500 TOP		14	4405010665	RACCORDS UNION	
6	4411020402A	ENSEMBLE COLLIER EN PLASTIC		15	4404120000	JOINT PLAT	
7	4411020206A	MANOMETRE COMPLET		16	154050001RTZ	CORPS DE FILTRE D. 500	
8	4411020407	MANOMETRE 1/8" 3 KG./C "		17	38468	SÉLECTEUR 1 1/2"	
9	4411030503	COLLIER		18	M00602	POMPE P-XPERT 12/14/16	

# ÉCLATÉ

REV.: 0

1571

DATE: 15/09/2021

PAG.: 2/2

CODE **M00661**DESCRIPTION: **MONOBLOC D. 500**

## OBSERVATIONS

POS	CODE	OBSERVATIONS
3	* 4404300120	POUR: M00661 [4UT]

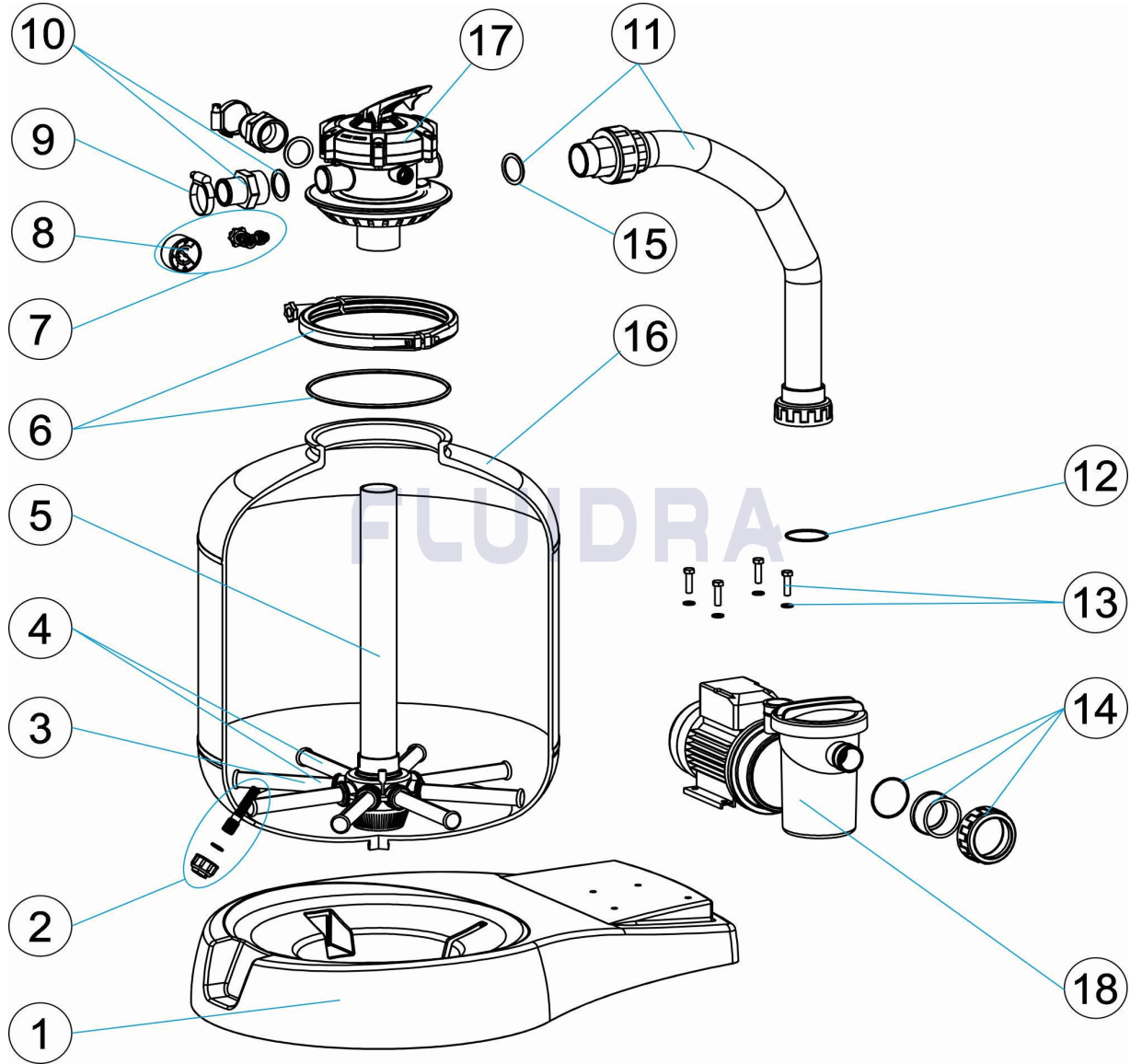
# PARTS BREAKDOWN

REV.: 0  
DATE: 15/09/2021  
SHEET: 1/2

1571

CODE M00661

DESCRIPTION: MONOBLOCK D. 500



## ENGLISH

POS	CODE	DESCRIPTION	QUANTITY	POS	CODE	DESCRIPTION	QUANTITY
1	4404300409	BASE (MOLDED) D. 560		10	4411020408	BUSH + GASKET	
2	4404220103	SAND PURGE		11	4411020004	CONNECTION HOSE D. 50	
3	* 4404300120	MANIFOLD ARM 3/4" 160 M "		12	4405010666	O' RING 51,8X3,1 NBR	
4	4404010074	MANIFOLD ARM ASSEMBLY D. 450 - 500		13	4404250012	PUMP FIXING SCREWS	
5	4404250024	MANIFOLD ASSEMBLY D. 500 TOP		14	4405010665	UNION FITTINGS	
6	4411020402A	PLASTIC V-CLAMP SET		15	4404120000	FLAT GASKET	
7	4411020206A	COMPLETE PRESSURE GAUGE UNIT		16	154050001RTZ	FILTER BODY D. 500	
8	4411020407	PRESSURE GAUGE 1/8" 3 KG./C "		17	38468	MULTIPORT VALVE 1 1/2"	
9	4411030503	CLAMP		18	M00602	P-XPERT PUMP 12/14/16	

\* SEE OBSERVATIONS SHEET

# PARTS BREAKDOWN

REV.: 0  
DATE: 15/09/2021  
SHEET: 2/2

1571

CODE **M00661**

DESCRIPTION: **MONOBLOCK D. 500**

## OBSERVATIONS

POS	CODE	OBSERVATIONS
3	* 4404300120	FOR: M00661 [4UT]

# ESPLOSO

REV.: 0

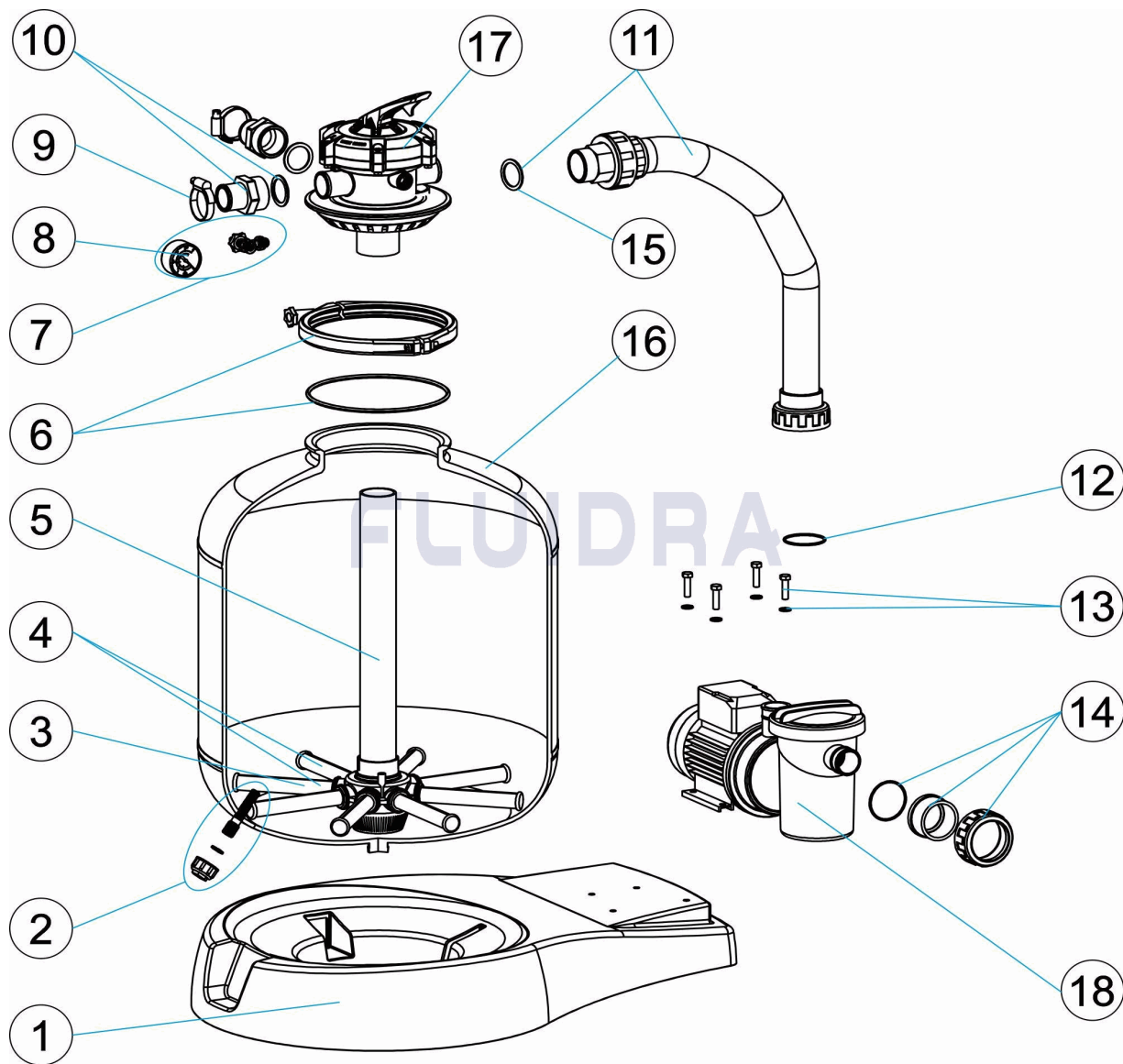
1571

DATA: 15/09/2021

PAG.: 1/2

CODICE **M00661**

DESCRIZIONE: **MONOBLOCK D. 500**



**ITALIANO**

POS	CODICE	DESCRIZIONE	QUANTITA'	POS	CODICE	DESCRIZIONE	QUANTITA'
1	4404300409	BASE INIETTATA D. 560		10	4411020408	MANICOTTO + GUARNIZIONE	
2	4404220103	SCARICO SABBIA		11	4411020004	MANICOTTO DI COLLAGAMENTO D. 50	
3	* 4404300120	CANDELOTTO COLLECTORE 3/4" 160M "		12	4405010666	O-RING 51,8X3,1 NBR	
4	4404010074	GRUPPO CANDELOTTO COLLECTORE D. 4		13	4404250012	KIT BULLONERIA FISSAGGIO POMPA	
5	4404250024	KIT COLLETTORE D. 500 TOP		14	4405010665	MANICOTTI DI UNIONE	
6	4411020402A	INSIEME FASCIA IN PLASTICA		15	4404120000	GUARNIZIONE PIANA	
7	4411020206A	MANOMETRO COMPLETO		16	154050001RTZ	CORPO FILTRO D. 500	
8	4411020407	MANOMETRO 1/8" 3 KG./C "		17	38468	VALVOLA SELETRICE 1 1/2"	
9	4411030503	FASCETTA		18	M00602	POMPE P-XPRT 12/14/16	

\* SI FACCIA RIFERIMENTO AL FOGLIO DELLE OSSERVAZIONI

# ESPLOSO

REV.: 0  
DATA: 15/09/2021  
PAG.: 2/2

1571

CODICE **M00661**

DESCRIZIONE: **MONOBLOCK D. 500**

## OSSERVAZIONI

POS	CODICE	OSSERVAZIONI
3	* 4404300120	PER: M00661 [4UT]



# EINZELTEILE

ÜBER.: 0

1571

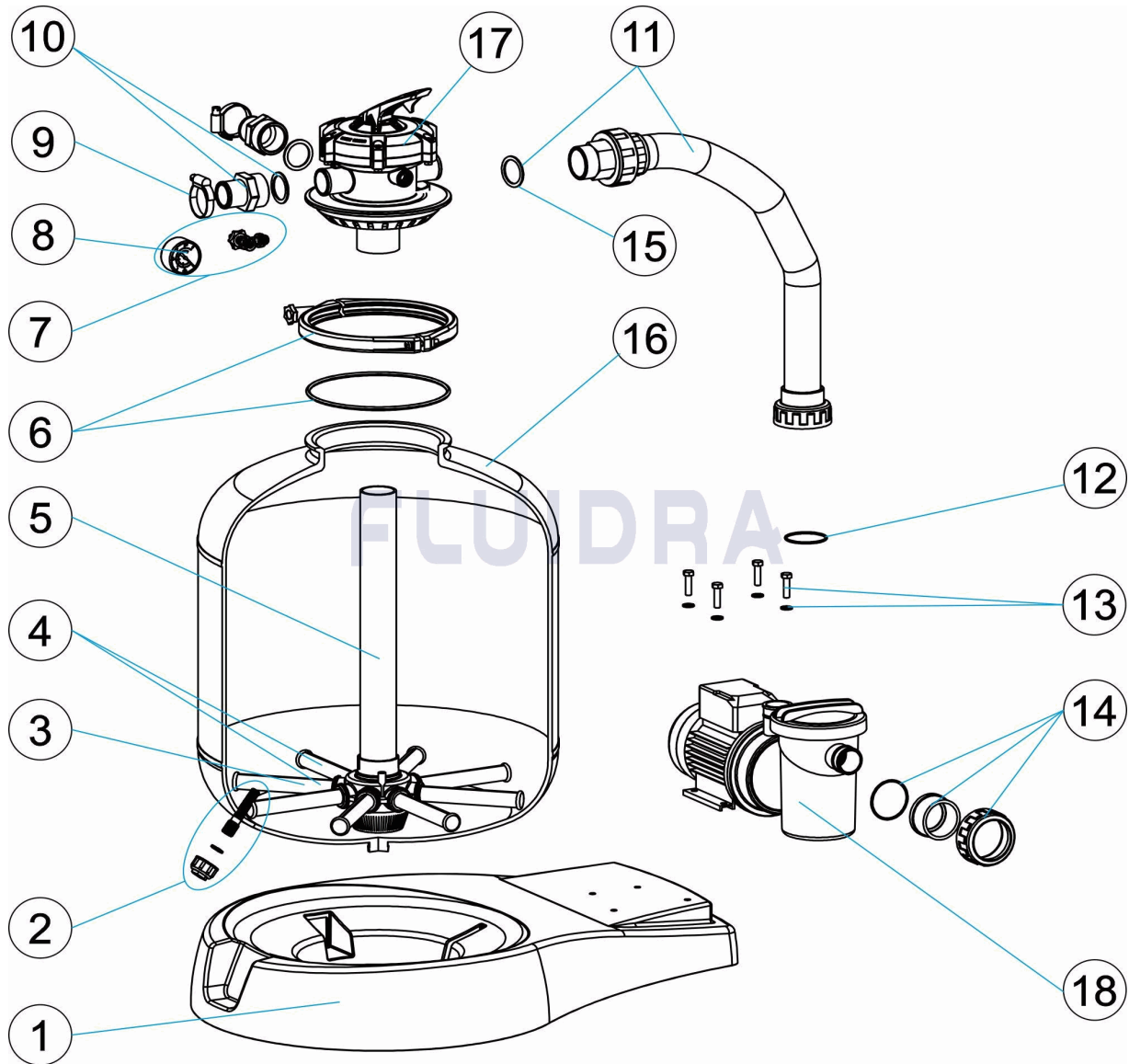
DATUM: 15/09/2021

BLATT: 1/2

CODE

**M00661**

BESCHREIBUNG: **MONOBLOCK D. 500**



**DEUTSCH**

POS	CODE	BESCHREIBUNG	MENGE	POS	CODE	BESCHREIBUNG	MENGE
1	4404300409	BASIS SPRITZGUSS D. 560		10	4411020408	NIPPEL UND DICHTUNG	
2	4404220103	SANDENTLEERUNG		11	4411020004	ANSCHLUSS-SCHLAUCH D. 50	
3	* 4404300120	FILTERSTERN-SCHLITZROHR 3/4" 160 M "		12	4405010666	O-RING 51,8X3,1 NBR	
4	4404010074	SET FILTERSTERN-SCHLITZROHR D. 450 -		13	4404250012	FIXIERSCHRAUBEN PUMPE	
5	4404250024	SAMMELROHRSET D. 500 TOP		14	4405010665	ANSCHLUSSZUBEHÖR	
6	4411020402A	EINSATZ KUNSTSTOFF		15	4404120000	FLACHDICHTUNG 1 1/2"	
7	4411020206A	MANOMETER KOMPLETT		16	154050001RTZ	FILTERGEHÄUSE D. 500	
8	4411020407	MANOMETER 1/8" 3 KG/C "		17	38468	MEHRWEGVENTIL 1 1/2"	
9	4411030503	SHELLE		18	M00602	PUMPE P-XPART 12/14/16	

\* SIEHE ANMERKUNGSBLATT

# EINZELTEILE

ÜBER.: 0

1571

DATUM: 15/09/2021

BLATT: 2/2

CODE **M00661**BESCHREIBUNG: **MONOBLOCK D. 500**

## HINWEISE

POS	CODE	HINWEISE
3	* 4404300120	FÜR: M00661 [4UT]

# ITEM

REV.: 0

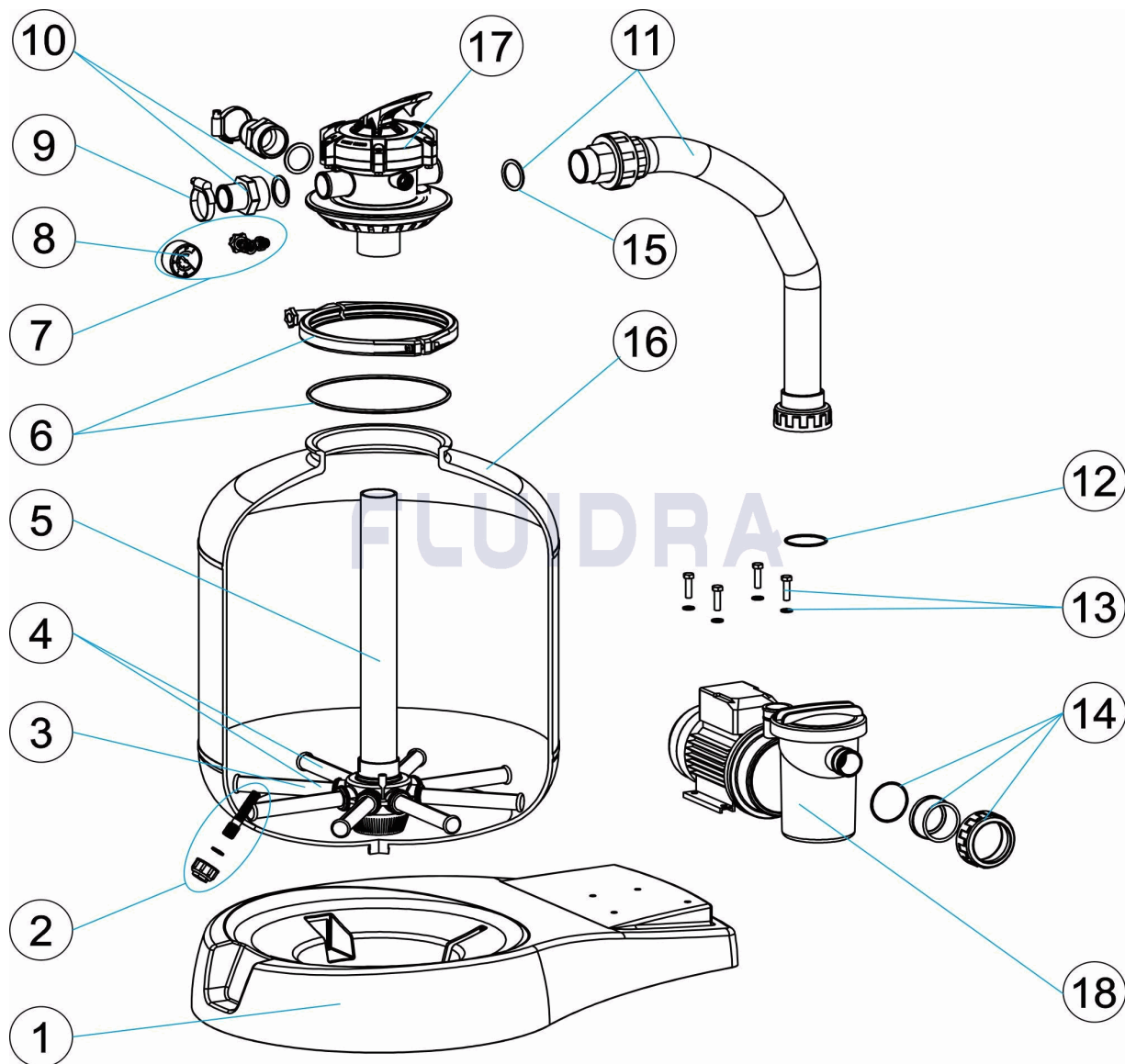
1571

DATA: 15/09/2021

FOLHA: 1/2

CODIGO

**M00661**

 DESCRIÇÃO: **MONOBLOCO D. 500**


## PORTUGUES

POS	CODIGO	DESCRIÇÃO	JANTIDADE	POS	CODIGO	DESCRIÇÃO	JANTIDADE
1	4404300409	BASE INJECTADA D. 560		10	4411020408	UNIÇÃO + JUNTA	
2	4404220103	PURGA AREIA		11	4411020004	MANGUEIRA LIGAÇÃO D. 50	
3	* 4404300120	BRAÇO COLECTOR 3/4" 160M "		12	4405010666	JUNTA TÓRICA 51,8X3,1 NBR	
4	4404010074	CJTO. BRAÇO COLECTOR D. 450 - 500		13	4404250012	PARAFUSOS FIXAÇÃO BOMBA	
5	4404250024	CJTO. COLECTOR D. 500 TOP		14	4405010665	ACESSÓRIOS DE UNIÃO	
6	4411020402A	CONJUNTO ABRAÇADERA DE PLASTICO		15	4404120000	JUNTA PLANA	
7	4411020206A	MANÓMETRO COMPLETO		16	154050001RTZ	CORPO FILTRO D. 500	
8	4411020407	MANOMETRO 1/8" 3 KG./C "		17	38468	VÁLVULA SELECTORA 1 1/2"	
9	4411030503	ABRAÇADEIRA		18	M00602	BOMBA P-XPert 12/14/16	

\* VEJA A FICHA DE OBSERVAÇÕES

# ITEM

REV.: 0

1571

DATA: 15/09/2021

FOLHA: 2/2

CODIGO **M00661**DESCRIÇÃO: **MONOBLOCO D. 500**

## OBSERVAÇÕES

POS	CODIGO	OBSERVAÇÕES
3	* 4404300120	PARA: M00661 [4UT]