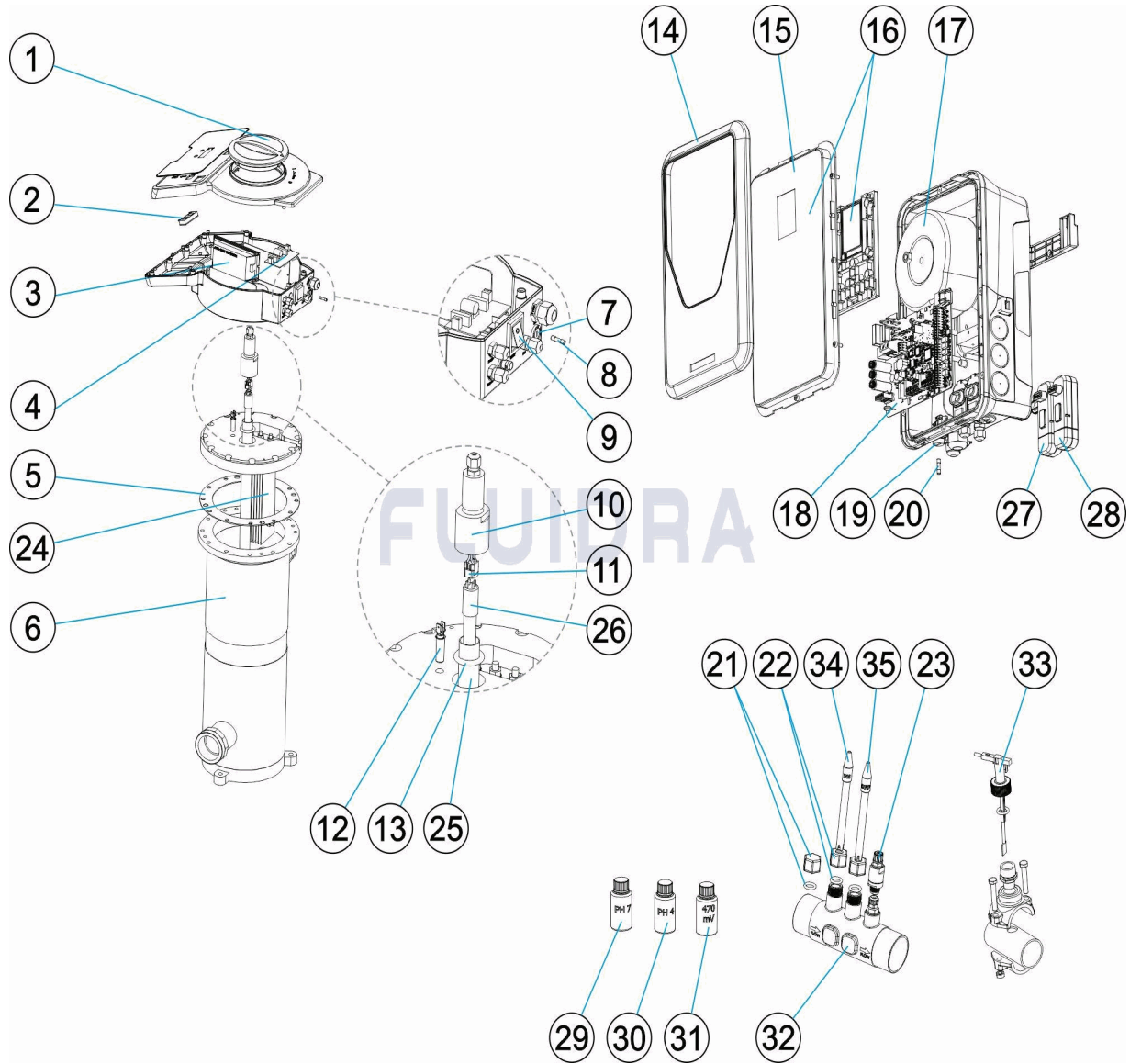


**CODIGO** 74686, 74687, 74688, 74689, 74690, 74691, 74692, 74693, 74694, 74695, 74696, 74697, 74698, 74699, 74700, 74701, 74702, 74703

**DESCRIPCION:** SISTEMA NEOLYSIS 2 PISCINA PRIVADA



**ESPAÑOL**

| POS | CODIGO     | DESCRIPCION                         | CANTIDAD | POS | CODIGO       | DESCRIPCION                           | CANTIDAD |
|-----|------------|-------------------------------------|----------|-----|--------------|---------------------------------------|----------|
| 1   | 4408040471 | TAPÓN                               |          | 16  | 4408070210   | TARJETA VISUALIZADORA TACTIL NEO V2 I |          |
| 2   | 4408070208 | TARJETA VISUALIZADORA TACTIL NEO V2 |          | 17  | * 4408041106 | TRANSFORMADOR 190 VA                  |          |
| 3   | 4408070061 | BALASTRO LP 10, 14                  |          | 17  | * 4408041107 | TRANSFORMADOR 370 VA                  |          |
| 4   | 4408070209 | PBA FILTRO CONTROL                  |          | 17  | * 4408041202 | TRANSFORMADOR 480 VA                  |          |
| 5   | 4408040132 | JUNTA BRIDA CELULA NEOLYSIS EPDM    |          | 18  | * 4408070211 | TARJETA POTENCIA NEO2-12              |          |
| 6   | 4408040133 | CELULA NEOLYSIS PIS. PRIV.          |          | 18  | * 4408070212 | TARJETA POTENCIA NEO2-24              |          |
| 7   | 4408041015 | PORTAFUSIBLES 6X32 CHASIS           |          | 18  | * 4408070213 | TARJETA POTENCIA NEO2-32              |          |
| 8   | 4408040398 | FUSIBLE 6X32 600MA                  |          | 19  | 4408040523   | PORTAFUSIBLE 5X20 CHASIS              |          |
| 9   | 4408070065 | INTERRUPTOR                         |          | 20  | * 4408041113 | FUSIBLE 2A                            |          |
| 10  | 4408070078 | CJTO. TUERCAS                       |          | 20  | * 4408041114 | FUSIBLE 3A                            |          |
| 11  | 4408070059 | CONECTOR 4PIN                       |          | 20  | * 4408041204 | FUSIBLE 4A                            |          |
| 12  | 4408060158 | SENSOR DE TEMPERATURA               |          | 21  | * 4408060121 | TAPON NEGRO OBTURADOR + JUNTA         |          |

**\* NOTA OBSERVACIONES**

**CODIGO**                    **74686, 74687, 74688, 74689, 74690, 74691, 74692, 74693, 74694, 74695,**  
**74696, 74697, 74698, 74699, 74700, 74701, 74702, 74703**

**DESCRIPCION: SISTEMA NEOLYSIS 2 PISCINA PRIVADA**

|    |            |                                   |    |              |                                   |
|----|------------|-----------------------------------|----|--------------|-----------------------------------|
| 13 | 4408070077 | JUNTA TORICA                      | 22 | * 4408040444 | PORTASONDAS                       |
| 14 | 4408040367 | MARCO FRONTAL ELN GRIS            | 23 | * 4408040068 | VALVULA INYECCION PH-MINUS 3/8"   |
| 15 | 4408040366 | FRONTAL ELITE CONNECT NEGRO       | 24 | * 61116      | RECAMBIO ELECTRODO NEOLYSIS 12GR/ |
| 24 | * 61117    | RECAMBIO ELECTRODO NEOLYSIS 24GR/ | 28 | * 73481      | MÓDULO DE EXPANSIÓN ORP           |
| 24 | * 61118    | RECAMBIO ELECTRODO NEOLYSIS 32GR/ | 29 | * 60618      | TAMPON PH 7,0 50 M/L. (VERDE)     |
| 24 | * 67807    | RECAMBIO ELECTRODO NEOLYSIS 12GR/ | 30 | * 60632      | TAMPON PH 4,0 50 ML. (ROJO)       |
| 24 | * 67808    | RECAMBIO ELECTRODO NEOLYSIS 24GR/ | 31 | * 60633      | SOLUCION CALIBRACION 470MV.       |
| 24 | * 67809    | RECAMBIO ELECTRODO NEOLYSIS 32GR/ | 32 | * 74493      | PORTASONDAS                       |
| 25 | 60607      | CUARZO UV LP-10,14                | 33 | 71124        | FLUJOSTATO                        |
| 26 | * 60559    | LAMPARA UV LP-10                  | 34 | * 60648      | ELECTRODO COMBINADO PH            |
| 26 | * 60606    | LAMPARA UV LP-14                  | 35 | * 60649      | ELECTRODO ORP                     |
| 27 | * 73480    | MÓDULO DE EXPANSIÓN PH            |    |              |                                   |

**CODIGO**                    **74686, 74687, 74688, 74689, 74690, 74691, 74692, 74693, 74694, 74695,**  
**74696, 74697, 74698, 74699, 74700, 74701, 74702, 74703**

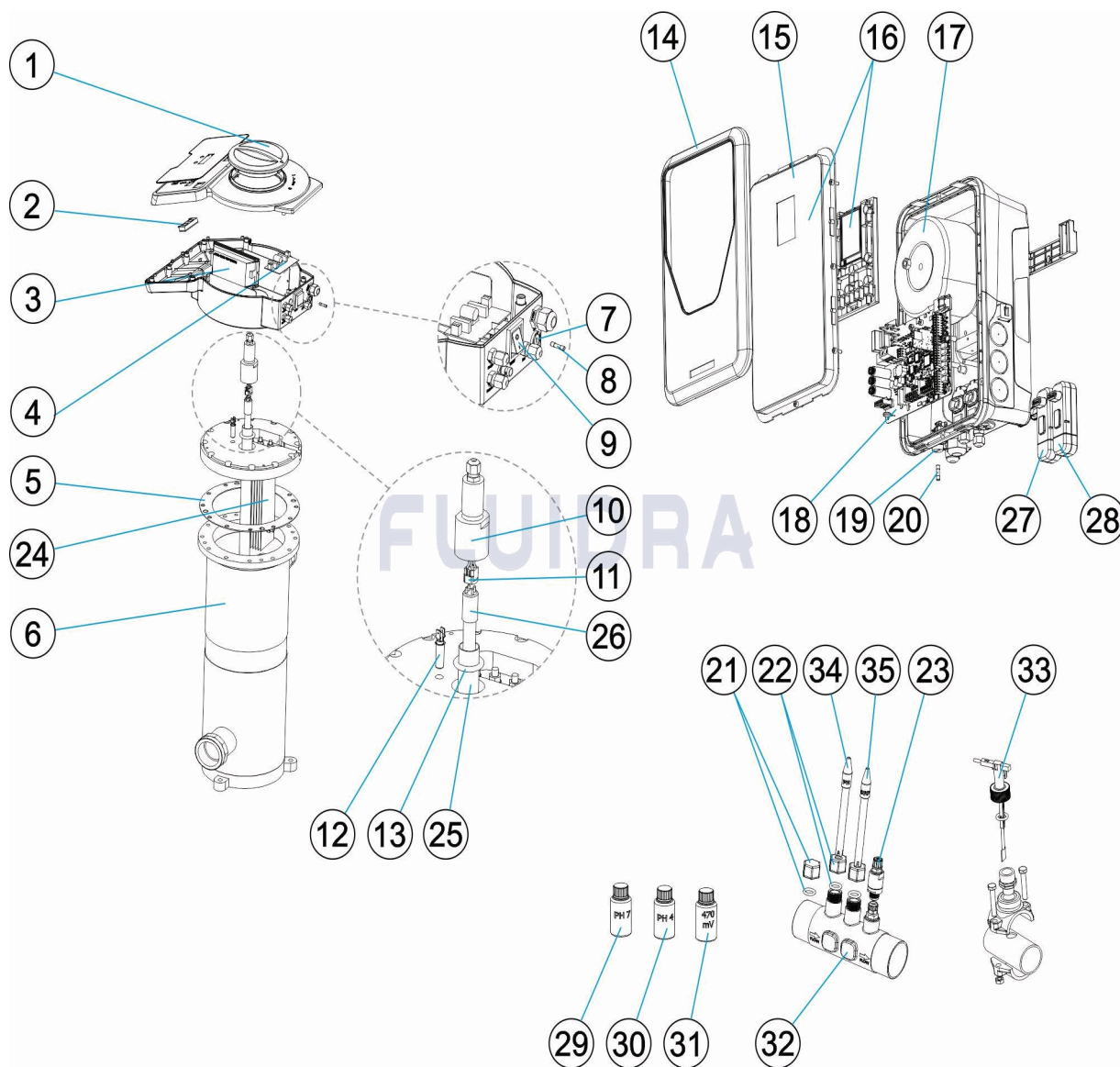
**DESCRIPCION: SISTEMA NEOLYSIS 2 PISCINA PRIVADA**

## OBSERVACIONES

| POS | CODIGO       | OBSERVACIONES                                                                            |
|-----|--------------|------------------------------------------------------------------------------------------|
| 17  | * 4408041106 | PARA: 74686, 74689, 74692, 74695, 74698, 74701                                           |
| 17  | * 4408041107 | PARA: 74687, 74690, 74693, 74696, 74699, 74702                                           |
| 17  | * 4408041202 | PARA: 74688, 74691, 74694, 74697, 74700, 74703                                           |
| 18  | * 4408070211 | PARA: 74686, 74689, 74692, 74695, 74698, 74701                                           |
| 18  | * 4408070212 | PARA: 74687, 74690, 74693, 74696, 74699, 74702                                           |
| 18  | * 4408070213 | PARA: 74688, 74691, 74694, 74697, 74700, 74703                                           |
| 20  | * 4408041113 | PARA: 74686, 74689, 74692, 74695, 74698, 74701                                           |
| 20  | * 4408041114 | PARA: 74687, 74690, 74693, 74696, 74699, 74702                                           |
| 20  | * 4408041204 | PARA: 74688, 74691, 74694, 74697, 74700, 74703                                           |
| 21  | * 4408060121 | PARA: 74689, 74690, 74691, 74698, 74699, 74700                                           |
| 22  | * 4408040444 | PARA: 74689, 74690, 74691, 74692, 74693, 74694, 74698, 74699, 74700, 74701, 74702, 74703 |
| 23  | * 4408040068 | PARA: 74689, 74690, 74691, 74692, 74693, 74694, 74698, 74699, 74700, 74701, 74702, 74703 |
| 24  | * 61116      | PARA: 74686, 74689, 74692                                                                |
| 24  | * 61117      | PARA: 74687, 74690, 74693                                                                |
| 24  | * 61118      | PARA: 74688, 74691, 74694                                                                |
| 24  | * 67807      | PARA: 74695, 74698, 74701                                                                |
| 24  | * 67808      | PARA: 74696, 74699, 74702                                                                |
| 24  | * 67809      | PARA: 74697, 74700, 74703                                                                |
| 26  | * 60559      | PARA: 74686, 74689, 74692, 74695, 74698, 74701                                           |
| 26  | * 60606      | PARA: 74687, 74688, 74690, 74691, 74693, 74694, 74696, 74697, 74699, 74700, 74702, 74703 |
| 27  | * 73480      | PARA: 74689, 74690, 74691, 74692, 74693, 74694, 74698, 74699, 74700, 74701, 74702, 74703 |
| 28  | * 73481      | PARA: 74692, 74693, 74694, 74701, 74702, 74703                                           |
| 29  | * 60618      | PARA: 74689, 74690, 74691, 74692, 74693, 74694, 74698, 74699, 74700, 74701, 74702, 74703 |
| 30  | * 60632      | PARA: 74689, 74690, 74691, 74692, 74693, 74694, 74698, 74699, 74700, 74701, 74702, 74703 |
| 31  | * 60633      | PARA: 74692, 74693, 74694, 74701, 74702, 74703                                           |
| 32  | * 74493      | PARA: 74689, 74690, 74691, 74692, 74693, 74694, 74698, 74699, 74700, 74701, 74702, 74703 |
| 34  | * 60648      | PARA: 74689, 74690, 74691, 74692, 74693, 74694, 74698, 74699, 74700, 74701, 74702, 74703 |
| 35  | * 60649      | PARA: 74692, 74693, 74694, 74701, 74702, 74703                                           |

CODE 74686, 74687, 74688, 74689, 74690, 74691, 74692, 74693, 74694, 74695, 74696, 74697, 74698, 74699, 74700, 74701, 74702, 74703

DESCRIPTION: SYSTÈME NEOLYSIS 2 PISCINE PRIVÉE



FRANCAIS

| POS | CODE       | DESCRIPTION                        | QUANTITE | POS | CODE         | DESCRIPTION                        | QUANTITE |
|-----|------------|------------------------------------|----------|-----|--------------|------------------------------------|----------|
| 1   | 440804071  | BOUCHON                            |          | 16  | 4408070210   | CARTE AFFICHEUR ÉLECTROLYSE NEO V2 |          |
| 2   | 4408070208 | CARTE AFFICHEUR ÉLECTROLYSE NEO V. |          | 17  | * 4408041106 | TRANSFORMATEUR PUISSANCE 190VA     |          |
| 3   | 4408070061 | BALLAST LP 10, 14                  |          | 17  | * 4408041107 | TRANSFORMATEUR PUISSANCE 370VA     |          |
| 4   | 4408070209 | PBA FILTRE CONTRÔLE                |          | 17  | * 4408041202 | TRANSFORMATEUR PUISSANCE 480VA     |          |
| 5   | 4408040132 | JOINT CELLULE NEOLYSIS EPDM        |          | 18  | * 4408070211 | CARTE PUISSANCE NEO2-12            |          |
| 6   | 4408040133 | CELLULE NEOLYSIS                   |          | 18  | * 4408070212 | CARTE PUISSANCE NEO2-24            |          |
| 7   | 4408041015 | PORTE-FUSIBLES 6X32 CASSIS         |          | 18  | * 4408070213 | CARTE PUISSANCE NEO2-32            |          |
| 8   | 4408040398 | FUSIBLE 6X32 600MA                 |          | 19  | 4408040523   | PORTE-FUSIBLES 5X20 CHASSIS        |          |
| 9   | 4408070065 | INTERRUPTEUR                       |          | 20  | * 4408041113 | FUSIBLE 2A                         |          |
| 10  | 4408070078 | ENSEMBLE ÉCROUS                    |          | 20  | * 4408041114 | FUSIBLE 3A                         |          |
| 11  | 4408070059 | CONNECTEUR 4PIN                    |          | 20  | * 4408041204 | FUSIBLE 4A                         |          |
| 12  | 4408060158 | CAPTEUR TEMPÉRATURE                |          | 21  | * 4408060121 | COUVERCLE NOIR DE FERMETURE + JOI  |          |

\* VOIR FICHE D'OBSERVATIONS

CODE **74686, 74687, 74688, 74689, 74690, 74691, 74692, 74693, 74694, 74695,  
74696, 74697, 74698, 74699, 74700, 74701, 74702, 74703**

DESCRIPTION: **SYSTÈME NEOLYSIS 2 PISCINE PRIVÉE**

|    |            |                                   |    |              |                                    |
|----|------------|-----------------------------------|----|--------------|------------------------------------|
| 13 | 4408070077 | JOINT TORIQUE                     | 22 | * 4408040444 | PORTE-SONDES                       |
| 14 | 4408040367 | CADRE FRONTAL ELN GRIS            | 23 | * 4408040068 | VANNE INJECTION PH-MINUS 3/8"      |
| 15 | 4408040366 | FRONTAL ELITE CONNECT NOIR        | 24 | * 61116      | RECHANGE ÉLECTRODE NEOLYSIS 12GR/I |
| 24 | * 61117    | RECHANGE ÉLECTRODE NEOLYSIS 24GR/ | 28 | * 73481      | MODULE D'EXPANSION ORP             |
| 24 | * 61118    | RECHANGE ÉLECTRODE NEOLYSIS 32GR/ | 29 | * 60618      | TAMPON PH 7,0 50 M/L. (VERT)       |
| 24 | * 67807    | RECHANGE ÉLECTRODE NEOLYSIS 12GR/ | 30 | * 60632      | TAMPON PH 4,0 50 ML. (ROUGE)       |
| 24 | * 67808    | RECHANGE ÉLECTRODE NEOLYSIS 24GR/ | 31 | * 60633      | SOLUTION CALIBRAGE 470 MV          |
| 24 | * 67809    | RECHANGE ÉLECTRODE NEOLYSIS 32GR/ | 32 | * 74493      | PORTE-SONDES                       |
| 25 | 60607      | GAINÉ QUARTZ LP 10, 14            | 33 | 71124        | CONTROLEUR DE DEBIT                |
| 26 | * 60559    | LAMPE UV LP-10                    | 34 | * 60648      | ELECTRODE COMBINÉE PH              |
| 26 | * 60606    | LAMPE UV LP-14                    | 35 | * 60649      | ELECTRODE ORP                      |
| 27 | * 73480    | MODULE D'EXPANSION PH             |    |              |                                    |

CODE **74686, 74687, 74688, 74689, 74690, 74691, 74692, 74693, 74694, 74695, 74696, 74697, 74698, 74699, 74700, 74701, 74702, 74703**

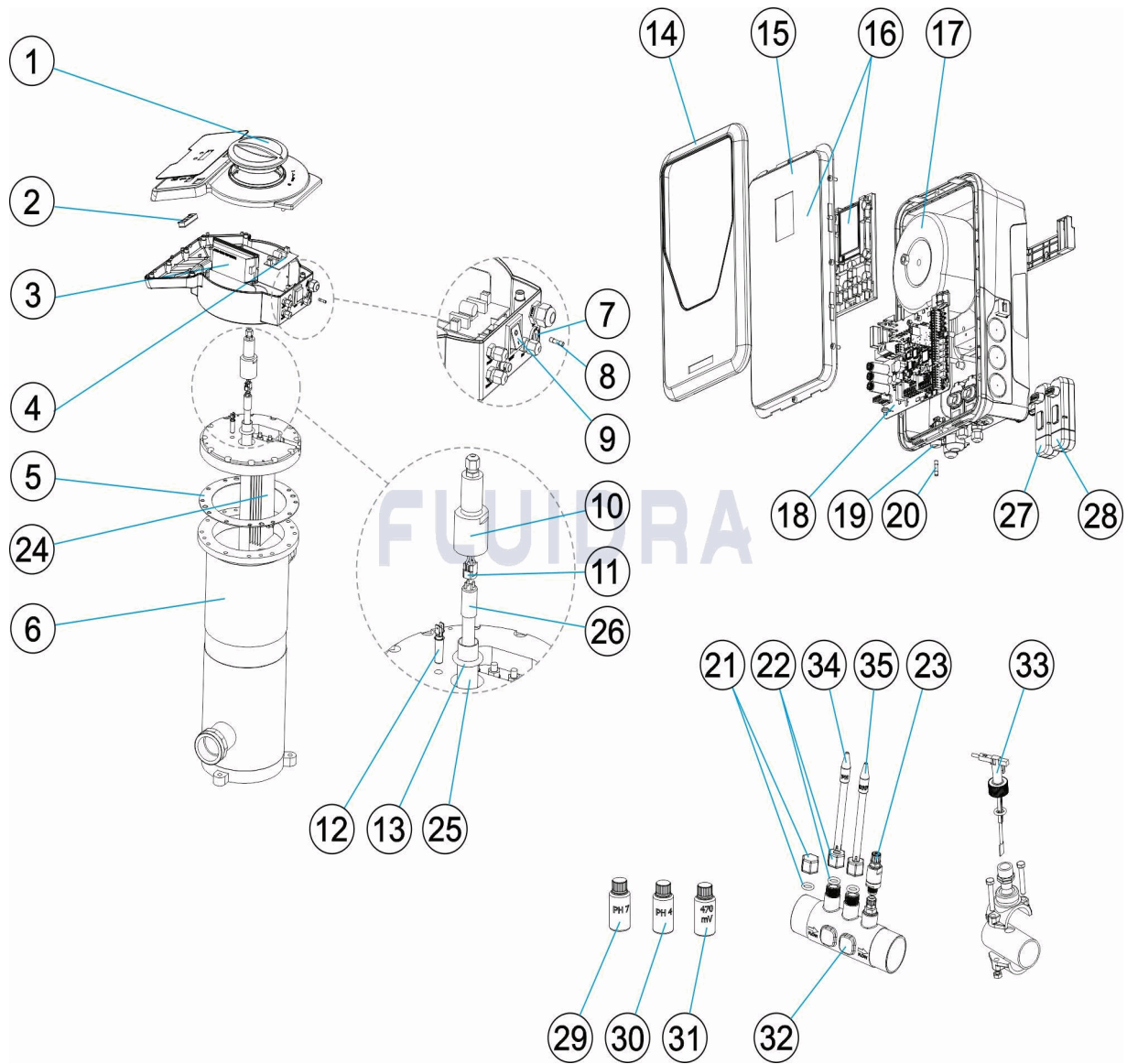
DESCRIPTION: **SYSTÈME NEOLYSIS 2 PISCINE PRIVÉE**

## OBSERVATIONS

| POS | CODE         | OBSERVATIONS                                                                             |
|-----|--------------|------------------------------------------------------------------------------------------|
| 17  | * 4408041106 | POUR: 74686, 74689, 74692, 74695, 74698, 74701                                           |
| 17  | * 4408041107 | POUR: 74687, 74690, 74693, 74696, 74699, 74702                                           |
| 17  | * 4408041202 | POUR: 74688, 74691, 74694, 74697, 74700, 74703                                           |
| 18  | * 4408070211 | POUR: 74686, 74689, 74692, 74695, 74698, 74701                                           |
| 18  | * 4408070212 | POUR: 74687, 74690, 74693, 74696, 74699, 74702                                           |
| 18  | * 4408070213 | POUR: 74688, 74691, 74694, 74697, 74700, 74703                                           |
| 20  | * 4408041113 | POUR: 74686, 74689, 74692, 74695, 74698, 74701                                           |
| 20  | * 4408041114 | POUR: 74687, 74690, 74693, 74696, 74699, 74702                                           |
| 20  | * 4408041204 | POUR: 74688, 74691, 74694, 74697, 74700, 74703                                           |
| 21  | * 4408060121 | POUR: 74689, 74690, 74691, 74698, 74699, 74700                                           |
| 22  | * 4408040444 | POUR: 74689, 74690, 74691, 74692, 74693, 74694, 74698, 74699, 74700, 74701, 74702, 74703 |
| 23  | * 4408040068 | POUR: 74689, 74690, 74691, 74692, 74693, 74694, 74698, 74699, 74700, 74701, 74702, 74703 |
| 24  | * 61116      | POUR: 74686, 74689, 74692                                                                |
| 24  | * 61117      | POUR: 74687, 74690, 74693                                                                |
| 24  | * 61118      | POUR: 74688, 74691, 74694                                                                |
| 24  | * 67807      | POUR: 74695, 74698, 74701                                                                |
| 24  | * 67808      | POUR: 74696, 74699, 74702                                                                |
| 24  | * 67809      | POUR: 74697, 74700, 74703                                                                |
| 26  | * 60559      | POUR: 74686, 74689, 74692, 74695, 74698, 74701                                           |
| 26  | * 60606      | POUR: 74687, 74688, 74690, 74691, 74693, 74694, 74696, 74697, 74699, 74700, 74702, 74703 |
| 27  | * 73480      | POUR: 74689, 74690, 74691, 74692, 74693, 74694, 74698, 74699, 74700, 74701, 74702, 74703 |
| 28  | * 73481      | POUR: 74692, 74693, 74694, 74701, 74702, 74703                                           |
| 29  | * 60618      | POUR: 74689, 74690, 74691, 74692, 74693, 74694, 74698, 74699, 74700, 74701, 74702, 74703 |
| 30  | * 60632      | POUR: 74689, 74690, 74691, 74692, 74693, 74694, 74698, 74699, 74700, 74701, 74702, 74703 |
| 31  | * 60633      | POUR: 74692, 74693, 74694, 74701, 74702, 74703                                           |
| 32  | * 74493      | POUR: 74689, 74690, 74691, 74692, 74693, 74694, 74698, 74699, 74700, 74701, 74702, 74703 |
| 34  | * 60648      | POUR: 74689, 74690, 74691, 74692, 74693, 74694, 74698, 74699, 74700, 74701, 74702, 74703 |
| 35  | * 60649      | POUR: 74692, 74693, 74694, 74701, 74702, 74703                                           |

CODE **74686, 74687, 74688, 74689, 74690, 74691, 74692, 74693, 74694, 74695, 74696, 74697, 74698, 74699, 74700, 74701, 74702, 74703**

DESCRIPTION: **NEOLYSIS 2 SYSTEM FOR PRIVATE POOL**



**ENGLISH**

| POS | CODE       | DESCRIPTION                     | QUANTITY | POS | CODE         | DESCRIPTION                        | QUANTITY |
|-----|------------|---------------------------------|----------|-----|--------------|------------------------------------|----------|
| 1   | 4408040471 | CAP                             |          | 16  | 4408070210   | NEO V2 ELECTROLYSIS VIEWER CARD DO |          |
| 2   | 4408070208 | NEO V2 ELECTROLYSIS VIEWER CARD |          | 17  | * 4408041106 | POWER TRANSFORMER 190 VA           |          |
| 3   | 4408070061 | BALLAST LP 10, 14               |          | 17  | * 4408041107 | POWER TRANSFORMER 370 VA           |          |
| 4   | 4408070209 | PBA FILTER CONTROL              |          | 17  | * 4408041202 | POWER TRANSFORMER 480 VA           |          |
| 5   | 4408040132 | CELL GASKET NEOLYSIS EPDM       |          | 18  | * 4408070211 | POWER CARD NEO2-12                 |          |
| 6   | 4408040133 | NEOLYSIS CELL                   |          | 18  | * 4408070212 | POWER CARD NEO2-24                 |          |
| 7   | 4408041015 | FUSE HOLDER 6X32                |          | 18  | * 4408070213 | POWER CARD NEO2-32                 |          |
| 8   | 4408040398 | FUSE 6X32 600MA                 |          | 19  | 4408040523   | FUSE HOLDER 5X20                   |          |
| 9   | 4408070065 | CIRCUIT BREAKER                 |          | 20  | * 4408041113 | FUSE 2A                            |          |
| 10  | 4408070078 | NUTS                            |          | 20  | * 4408041114 | FUSE 3A                            |          |
| 11  | 4408070059 | 4PIN CONNECTOR                  |          | 20  | * 4408041204 | FUSE 4A                            |          |
| 12  | 4408060158 | TEMPERATURE SENSOR              |          | 21  | * 4408060121 | BLACK OBTURATING PLUG + GASKET     |          |

**\* SEE OBSERVATIONS SHEET**

CODE **74686, 74687, 74688, 74689, 74690, 74691, 74692, 74693, 74694, 74695,  
74696, 74697, 74698, 74699, 74700, 74701, 74702, 74703**

DESCRIPTION: **NEOLYSIS 2 SYSTEM FOR PRIVATE POOL**

|    |            |                                    |    |              |                                         |
|----|------------|------------------------------------|----|--------------|-----------------------------------------|
| 13 | 4408070077 | O' RING                            | 22 | * 4408040444 | SENSOR HOLDER                           |
| 14 | 4408040367 | FRONT FRAME ELN GREY               | 23 | * 4408040068 | PH-MINUS INJECTION VALVE 3/8"           |
| 15 | 4408040366 | FRONT ELITE CONNECT BLACK          | 24 | * 61116      | ELECTRODE SPARE NEOLYSIS 12GR/H-48v     |
| 24 | * 61117    | ELECTRODE SPARE NEOLYSIS 24GR/H-56 | 28 | * 73481      | ORP EXPANSION MODULE                    |
| 24 | * 61118    | ELECTRODE SPARE NEOLYSIS 32GR/H-56 | 29 | * 60618      | CALIBRATION SOLUTION PH 7,0 50 M/L. (Gf |
| 24 | * 67807    | ELECTRODE SPARE NEOLYSIS 12GR/H-48 | 30 | * 60632      | CALIBRATION SOLUTION PH 4,0 50 ML. (RE  |
| 24 | * 67808    | ELECTRODE SPARE NEOLYSIS 24GR/H-56 | 31 | * 60633      | CALIBRATION SOLUTION ORP 470 MV         |
| 24 | * 67809    | ELECTRODE SPARE NEOLYSIS 32GR/H-56 | 32 | * 74493      | SENSOR HOLDER                           |
| 25 | 60607      | QUARTZ SLEEVE LP 10, 14            | 33 | 71124        | WATER FLOW SWITCH                       |
| 26 | * 60559    | LAMPELC UV LP-10                   | 34 | * 60648      | ELECTRODE PH                            |
| 26 | * 60606    | LAMPELC UV LP-14                   | 35 | * 60649      | ORP ELECTRODE                           |
| 27 | * 73480    | PH EXPANSION MODULE                |    |              |                                         |



CODE **74686, 74687, 74688, 74689, 74690, 74691, 74692, 74693, 74694, 74695, 74696, 74697, 74698, 74699, 74700, 74701, 74702, 74703**

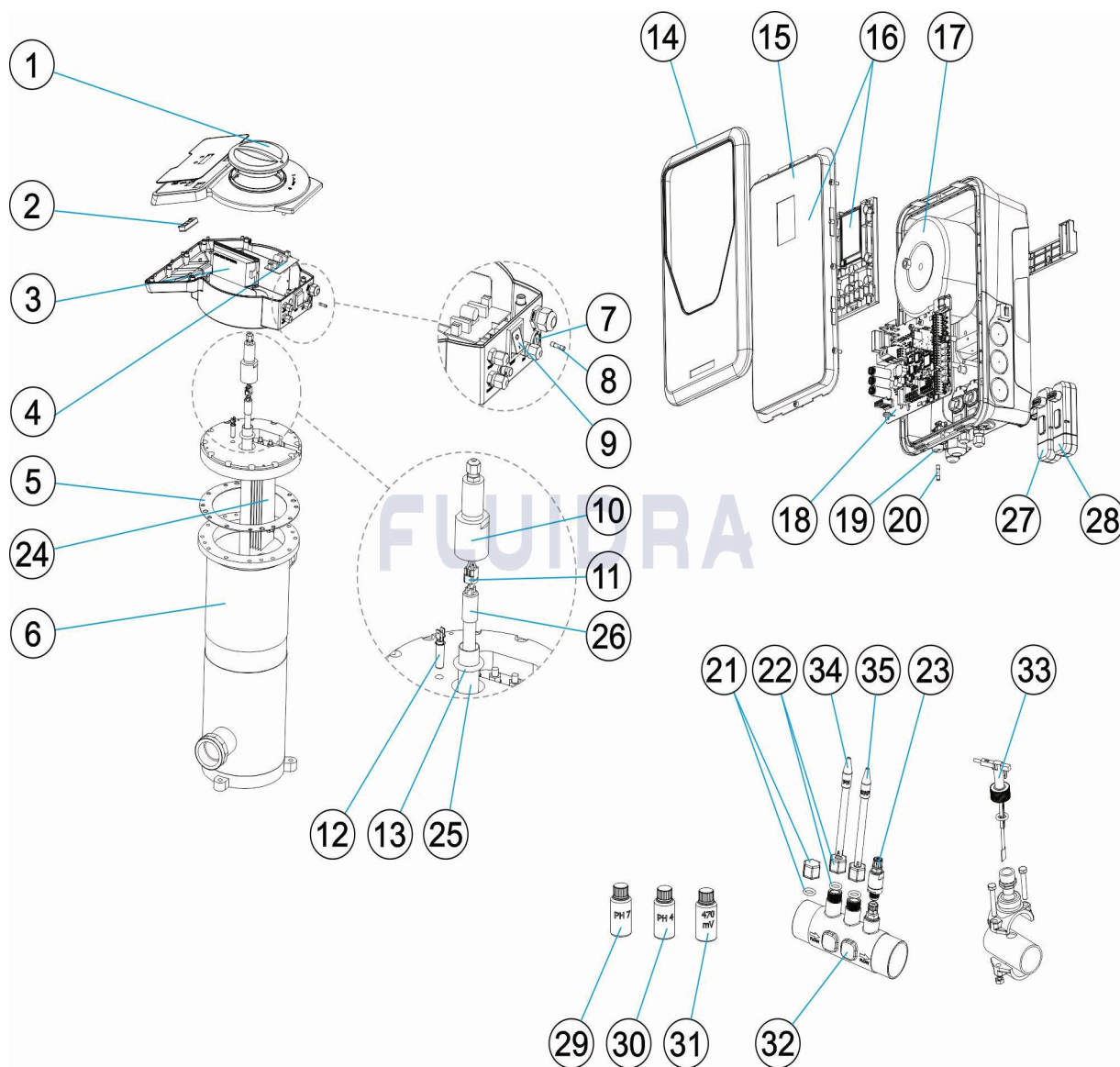
DESCRIPTION: **NEOLYSIS 2 SYSTEM FOR PRIVATE POOL**

## OBSERVATIONS

| POS | CODE         | OBSERVATIONS                                                                            |
|-----|--------------|-----------------------------------------------------------------------------------------|
| 17  | * 4408041106 | FOR: 74686, 74689, 74692, 74695, 74698, 74701                                           |
| 17  | * 4408041107 | FOR: 74687, 74690, 74693, 74696, 74699, 74702                                           |
| 17  | * 4408041202 | FOR: 74688, 74691, 74694, 74697, 74700, 74703                                           |
| 18  | * 4408070211 | FOR: 74686, 74689, 74692, 74695, 74698, 74701                                           |
| 18  | * 4408070212 | FOR: 74687, 74690, 74693, 74696, 74699, 74702                                           |
| 18  | * 4408070213 | FOR: 74688, 74691, 74694, 74697, 74700, 74703                                           |
| 20  | * 4408041113 | FOR: 74686, 74689, 74692, 74695, 74698, 74701                                           |
| 20  | * 4408041114 | FOR: 74687, 74690, 74693, 74696, 74699, 74702                                           |
| 20  | * 4408041204 | FOR: 74688, 74691, 74694, 74697, 74700, 74703                                           |
| 21  | * 4408060121 | FOR: 74689, 74690, 74691, 74698, 74699, 74700                                           |
| 22  | * 4408040444 | FOR: 74689, 74690, 74691, 74692, 74693, 74694, 74698, 74699, 74700, 74701, 74702, 74703 |
| 23  | * 4408040068 | FOR: 74689, 74690, 74691, 74692, 74693, 74694, 74698, 74699, 74700, 74701, 74702, 74703 |
| 24  | * 61116      | FOR: 74686, 74689, 74692                                                                |
| 24  | * 61117      | FOR: 74687, 74690, 74693                                                                |
| 24  | * 61118      | FOR: 74688, 74691, 74694                                                                |
| 24  | * 67807      | FOR: 74695, 74698, 74701                                                                |
| 24  | * 67808      | FOR: 74696, 74699, 74702                                                                |
| 24  | * 67809      | FOR: 74697, 74700, 74703                                                                |
| 26  | * 60559      | FOR: 74686, 74689, 74692, 74695, 74698, 74701                                           |
| 26  | * 60606      | FOR: 74687, 74688, 74690, 74691, 74693, 74694, 74696, 74697, 74699, 74700, 74702, 74703 |
| 27  | * 73480      | FOR: 74689, 74690, 74691, 74692, 74693, 74694, 74698, 74699, 74700, 74701, 74702, 74703 |
| 28  | * 73481      | FOR: 74692, 74693, 74694, 74701, 74702, 74703                                           |
| 29  | * 60618      | FOR: 74689, 74690, 74691, 74692, 74693, 74694, 74698, 74699, 74700, 74701, 74702, 74703 |
| 30  | * 60632      | FOR: 74689, 74690, 74691, 74692, 74693, 74694, 74698, 74699, 74700, 74701, 74702, 74703 |
| 31  | * 60633      | FOR: 74692, 74693, 74694, 74701, 74702, 74703                                           |
| 32  | * 74493      | FOR: 74689, 74690, 74691, 74692, 74693, 74694, 74698, 74699, 74700, 74701, 74702, 74703 |
| 34  | * 60648      | FOR: 74689, 74690, 74691, 74692, 74693, 74694, 74698, 74699, 74700, 74701, 74702, 74703 |
| 35  | * 60649      | FOR: 74692, 74693, 74694, 74701, 74702, 74703                                           |

**CODICE** 74686, 74687, 74688, 74689, 74690, 74691, 74692, 74693, 74694, 74695, 74696, 74697, 74698, 74699, 74700, 74701, 74702, 74703

**DESCRIZIONE:** SISTEMA NEOLISYS 2 PISCINA PRIVATA



**ITALIANO**

| POS | CODICE     | DESCRIZIONE                      | QUANTITA' | POS | CODICE       | DESCRIZIONE                         | QUANTITA' |
|-----|------------|----------------------------------|-----------|-----|--------------|-------------------------------------|-----------|
| 1   | 440804071  | TAPPO                            |           | 16  | 4408070210   | SCHEDA VISORE ELETTROLISI NEO V2 DO |           |
| 2   | 4408070208 | SCHEDA VISORE ELETTROLISI NEO V2 |           | 17  | * 4408041106 | TRANSFORMATORE POTENZA 190 VA       |           |
| 3   | 4408070061 | REGOLATORE DI CORRENTE LP 10, 14 |           | 17  | * 4408041107 | TRANSFORMATORE POTENZA 370 VA       |           |
| 4   | 4408070209 | PBA FILTRO                       |           | 17  | * 4408041202 | TRANSFORMATORE POTENZA 480 VA       |           |
| 5   | 4408040132 | GIUNTA CELLULA NEOLYSIS EPDM     |           | 18  | * 4408070211 | CARTA POTENZA NEO2-12               |           |
| 6   | 4408040133 | CELLULA NEOLYSIS                 |           | 18  | * 4408070212 | CARTA POTENZA NEO2-24               |           |
| 7   | 4408041015 | PORTAFUSIBILI 6X32 CORPO         |           | 18  | * 4408070213 | CARTA POTENZA NEO2-32               |           |
| 8   | 4408040398 | FUSIBILE 6X32 600MA              |           | 19  | 4408040523   | PORTAFUSIBILI 5X20 CORPO            |           |
| 9   | 4408070065 | INTERRUTTORE                     |           | 20  | * 4408041113 | FUSIVILE 2A                         |           |
| 10  | 4408070078 | CONGIUNTO DADI                   |           | 20  | * 4408041114 | FUSIVILE 3A                         |           |
| 11  | 4408070059 | CONNETTORE 4910                  |           | 20  | * 4408041204 | FUSIVILE 4A                         |           |
| 12  | 4408060158 | SENSORE DI TEMPERATURA           |           | 21  | * 4408060121 | TAPPO NERO PICCOLO + GUARNIZIONE    |           |

**\* SI FACCIA RIFERIMENTO AL FOGLIO DELLE OSSERVAZIONI**

**CODICE**                    **74686, 74687, 74688, 74689, 74690, 74691, 74692, 74693, 74694, 74695,**  
**74696, 74697, 74698, 74699, 74700, 74701, 74702, 74703**

**DESCRIZIONE: SISTEMA NEOLISYS 2 PISCINA PRIVATA**

|    |            |                                    |    |              |                                       |
|----|------------|------------------------------------|----|--------------|---------------------------------------|
| 13 | 4408070077 | O-RING                             | 22 | * 4408040444 | PORTA-SONDE                           |
| 14 | 4408040367 | CORNICE FRONTALE ELN GRIGIO        | 23 | * 4408040068 | VALVOLA INIEZIONE PH-MINUS 3/8"       |
| 15 | 4408040366 | FRONTALE ELITE CONNECT NERO        | 24 | * 61116      | RECAMBIO ELETTRODO NEOLYSIS 12GR/I-   |
| 24 | * 61117    | RECAMBIO ELETTRODO NEOLYSIS 24GR/I | 28 | * 73481      | MODULO DI ESPANSIONE ORP              |
| 24 | * 61118    | RECAMBIO ELETTRODO NEOLYSIS 32GR/I | 29 | * 60618      | SOLUZIONE TAMPONE PH 7,0 50 M/L. (VER |
| 24 | * 67807    | RECAMBIO ELETTRODO NEOLYSIS 12GR/I | 30 | * 60632      | SOLUZIONE TAMPONE PH 4,0 50 ML. (ROS: |
| 24 | * 67808    | RECAMBIO ELETTRODO NEOLYSIS 24GR/I | 31 | * 60633      | SOLUZIONE CALIBRAZIONE 470MV.         |
| 24 | * 67809    | RECAMBIO ELETTRODO NEOLYSIS 32GR/I | 32 | * 74493      | PORTA-SONDE                           |
| 25 | 60607      | GUAINA DI QUARZO LP 10, 14         | 33 | 71124        | FLUSSOSTATO                           |
| 26 | * 60559    | LAMPADA UV LP-10                   | 34 | * 60648      | ELETTRODO COMBINATO PH                |
| 26 | * 60606    | LAMPADA UV LP-14                   | 35 | * 60649      | ELETTRODO RX                          |
| 27 | * 73480    | MODULO DI ESPANSIONE PH            |    |              |                                       |

**CODICE**                    **74686, 74687, 74688, 74689, 74690, 74691, 74692, 74693, 74694, 74695,**  
**74696, 74697, 74698, 74699, 74700, 74701, 74702, 74703**

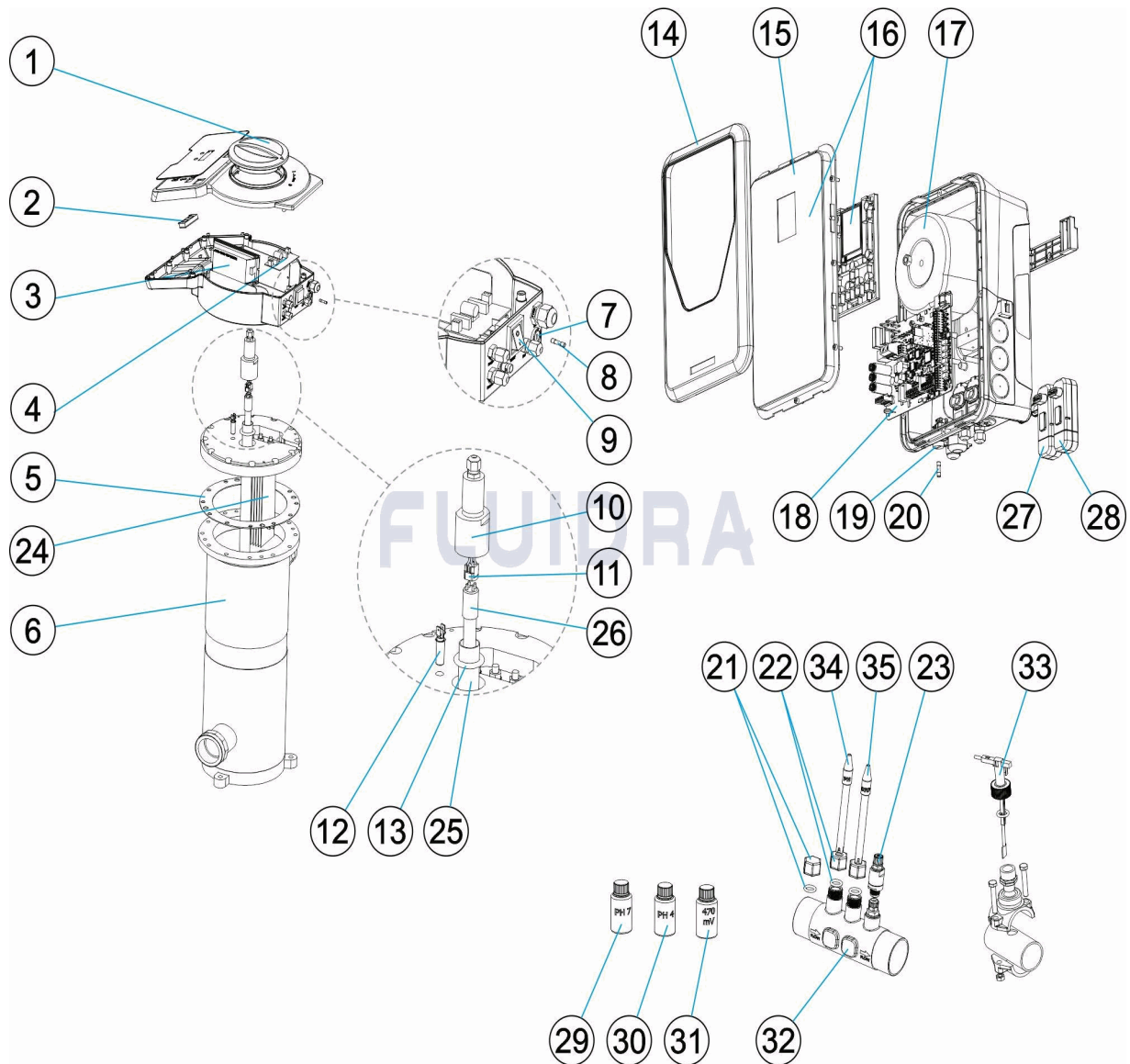
**DESCRIZIONE: SISTEMA NEOLISYS 2 PISCINA PRIVATA**

## OSSERVAZIONI

| POS | CODICE       | OSSERVAZIONI                                                                            |
|-----|--------------|-----------------------------------------------------------------------------------------|
| 17  | * 4408041106 | PER: 74686, 74689, 74692, 74695, 74698, 74701                                           |
| 17  | * 4408041107 | PER: 74687, 74690, 74693, 74696, 74699, 74702                                           |
| 17  | * 4408041202 | PER: 74688, 74691, 74694, 74697, 74700, 74703                                           |
| 18  | * 4408070211 | PER: 74686, 74689, 74692, 74695, 74698, 74701                                           |
| 18  | * 4408070212 | PER: 74687, 74690, 74693, 74696, 74699, 74702                                           |
| 18  | * 4408070213 | PER: 74688, 74691, 74694, 74697, 74700, 74703                                           |
| 20  | * 4408041113 | PER: 74686, 74689, 74692, 74695, 74698, 74701                                           |
| 20  | * 4408041114 | PER: 74687, 74690, 74693, 74696, 74699, 74702                                           |
| 20  | * 4408041204 | PER: 74688, 74691, 74694, 74697, 74700, 74703                                           |
| 21  | * 4408060121 | PER: 74689, 74690, 74691, 74698, 74699, 74700                                           |
| 22  | * 4408040444 | PER: 74689, 74690, 74691, 74692, 74693, 74694, 74698, 74699, 74700, 74701, 74702, 74703 |
| 23  | * 4408040068 | PER: 74689, 74690, 74691, 74692, 74693, 74694, 74698, 74699, 74700, 74701, 74702, 74703 |
| 24  | * 61116      | PER: 74686, 74689, 74692                                                                |
| 24  | * 61117      | PER: 74687, 74690, 74693                                                                |
| 24  | * 61118      | PER: 74688, 74691, 74694                                                                |
| 24  | * 67807      | PER: 74695, 74698, 74701                                                                |
| 24  | * 67808      | PER: 74696, 74699, 74702                                                                |
| 24  | * 67809      | PER: 74697, 74700, 74703                                                                |
| 26  | * 60559      | PER: 74686, 74689, 74692, 74695, 74698, 74701                                           |
| 26  | * 60606      | PER: 74687, 74688, 74690, 74691, 74693, 74694, 74696, 74697, 74699, 74700, 74702, 74703 |
| 27  | * 73480      | PER: 74689, 74690, 74691, 74692, 74693, 74694, 74698, 74699, 74700, 74701, 74702, 74703 |
| 28  | * 73481      | PER: 74692, 74693, 74694, 74701, 74702, 74703                                           |
| 29  | * 60618      | PER: 74689, 74690, 74691, 74692, 74693, 74694, 74698, 74699, 74700, 74701, 74702, 74703 |
| 30  | * 60632      | PER: 74689, 74690, 74691, 74692, 74693, 74694, 74698, 74699, 74700, 74701, 74702, 74703 |
| 31  | * 60633      | PER: 74692, 74693, 74694, 74701, 74702, 74703                                           |
| 32  | * 74493      | PER: 74689, 74690, 74691, 74692, 74693, 74694, 74698, 74699, 74700, 74701, 74702, 74703 |
| 34  | * 60648      | PER: 74689, 74690, 74691, 74692, 74693, 74694, 74698, 74699, 74700, 74701, 74702, 74703 |
| 35  | * 60649      | PER: 74692, 74693, 74694, 74701, 74702, 74703                                           |

CODE 74686, 74687, 74688, 74689, 74690, 74691, 74692, 74693, 74694, 74695, 74696, 74697, 74698, 74699, 74700, 74701, 74702, 74703

BESCHREIBUNG: NEOLYSESYSTEM 2 PRIVATBECKEN



DEUTSCH

| POS | CODE       | BESCHREIBUNG                       | MENGE | POS | CODE         | BESCHREIBUNG                     | MENGE |
|-----|------------|------------------------------------|-------|-----|--------------|----------------------------------|-------|
| 1   | 440804071  | STOPFEN                            |       | 16  | 4408070210   | TOUCHSCREEN NEO V2 DOM           |       |
| 2   | 4408070208 | TOUCHSCREEN NEO V2                 |       | 17  | * 4408041106 | TRAFO 190 VA                     |       |
| 3   | 4408070061 | VORSCHALTGERÄT LP 10, 14           |       | 17  | * 4408041107 | TRAFO 370 VA                     |       |
| 4   | 4408070209 | PBA FILTERSTEUERUNG                |       | 17  | * 4408041202 | TRAFO 480 VA                     |       |
| 5   | 4408040132 | DICHTUNG FLANSCH ZELLE NEOLYSE EPI |       | 18  | * 4408070211 | LEISTUNGSPLATINE NEO2-12         |       |
| 6   | 4408040133 | ZELLE NEOLYSE PRIVATBECKEN         |       | 18  | * 4408070212 | LEISTUNGSPLATINE NEO2-24         |       |
| 7   | 4408041015 | SICHERUNGSSITZ 6 X 32 RAHMEN       |       | 18  | * 4408070213 | LEISTUNGSPLATINE NEO2-32         |       |
| 8   | 4408040398 | SICHERUNG 6X32 600MA               |       | 19  | 4408040523   | SICHERUNGSSITZ 5 X 20 RAHMEN     |       |
| 9   | 4408070065 | SCHALTER                           |       | 20  | * 4408041113 | SICHERUNG 2 A                    |       |
| 10  | 4408070078 | SET MUTTERN                        |       | 20  | * 4408041114 | SICHERUNG 3 A                    |       |
| 11  | 4408070059 | STECKKUPPLUNG 4PIN                 |       | 20  | * 4408041204 | SICHERUNG 4 A                    |       |
| 12  | 4408060158 | TEMPERATURFÜHLER                   |       | 21  | * 4408060121 | STOPFEN SCHWARZ VERSCHLUSS UND D |       |

\* SIEHE ANMERKUGSBLATT

CODE **74686, 74687, 74688, 74689, 74690, 74691, 74692, 74693, 74694, 74695,  
74696, 74697, 74698, 74699, 74700, 74701, 74702, 74703**

BESCHREIBUNG: **NEOLYSESYSTEM 2 PRIVATBECKEN**

|    |            |                                    |    |              |                                     |
|----|------------|------------------------------------|----|--------------|-------------------------------------|
| 13 | 4408070077 | O-RING                             | 22 | * 4408040444 | SONDENHALTERUNG                     |
| 14 | 4408040367 | FRONTALRAHMEN ELN GRAU             | 23 | * 4408040068 | INJEKTORVENTIL PH-MINUS 3/8"        |
| 15 | 4408040366 | FRONTAL ELITE CONNECT SCHWARZ      | 24 | * 61116      | ERSATZTEIL ELEKTRODE NEOLYSE 12GR/I |
| 24 | * 61117    | ERSATZTEIL ELEKTRODE NEOLYSE 24GR/ | 28 | * 73481      | ERWEITERUNGSMODUL ORP               |
| 24 | * 61118    | ERSATZTEIL ELEKTRODE NEOLYSE 32GR/ | 29 | * 60618      | PUFFER PH 7,0 50 M/L (GRÜN)         |
| 24 | * 67807    | ERSATZTEIL ELEKTRODE NEOLYSE 12GR/ | 30 | * 60632      | PUFFER PH 4,0 50 ML (ROT)           |
| 24 | * 67808    | ERSATZTEIL ELEKTRODE NEOLYSE 24GR/ | 31 | * 60633      | KALIBRIERLÖSUNG 47 0MV              |
| 24 | * 67809    | ERSATZTEIL ELEKTRODE NEOLYSE 32GR/ | 32 | * 74493      | SONDENHALTERUNG                     |
| 25 | 60607      | QUARZRÖHRE UV LP - 10,14           | 33 | 71124        | DURCHFLUSSMESSER                    |
| 26 | * 60559    | LAMPE UV LP - 10                   | 34 | * 60648      | ELEKTRODE KOMBINIERT PH             |
| 26 | * 60606    | LAMPE UV LP - 14                   | 35 | * 60649      | ORP-ELEKTRODE                       |
| 27 | * 73480    | ERWEITERUNGSMODUL PH               |    |              |                                     |

CODE **74686, 74687, 74688, 74689, 74690, 74691, 74692, 74693, 74694, 74695,  
74696, 74697, 74698, 74699, 74700, 74701, 74702, 74703**

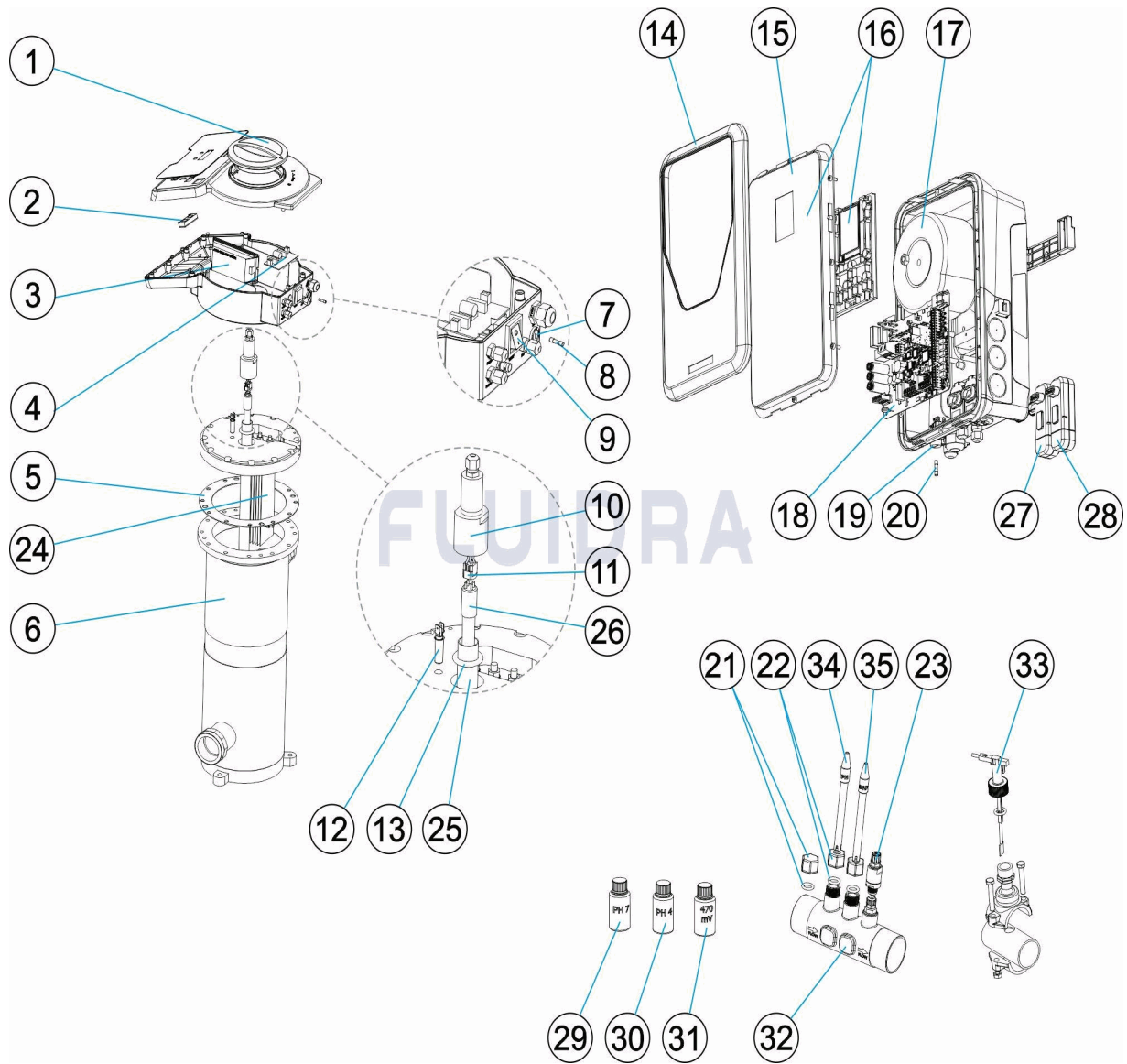
BESCHREIBUNG: **NEOLYSESYSTEM 2 PRIVATBECKEN**

## HINWEISE

| POS | CODE         | HINWEISE                                                                                |
|-----|--------------|-----------------------------------------------------------------------------------------|
| 17  | * 4408041106 | FÜR: 74686, 74689, 74692, 74695, 74698, 74701                                           |
| 17  | * 4408041107 | FÜR: 74687, 74690, 74693, 74696, 74699, 74702                                           |
| 17  | * 4408041202 | FÜR: 74688, 74691, 74694, 74697, 74700, 74703                                           |
| 18  | * 4408070211 | FÜR: 74686, 74689, 74692, 74695, 74698, 74701                                           |
| 18  | * 4408070212 | FÜR: 74687, 74690, 74693, 74696, 74699, 74702                                           |
| 18  | * 4408070213 | FÜR: 74688, 74691, 74694, 74697, 74700, 74703                                           |
| 20  | * 4408041113 | FÜR: 74686, 74689, 74692, 74695, 74698, 74701                                           |
| 20  | * 4408041114 | FÜR: 74687, 74690, 74693, 74696, 74699, 74702                                           |
| 20  | * 4408041204 | FÜR: 74688, 74691, 74694, 74697, 74700, 74703                                           |
| 21  | * 4408060121 | FÜR: 74689, 74690, 74691, 74698, 74699, 74700                                           |
| 22  | * 4408040444 | FÜR: 74689, 74690, 74691, 74692, 74693, 74694, 74698, 74699, 74700, 74701, 74702, 74703 |
| 23  | * 4408040068 | FÜR: 74689, 74690, 74691, 74692, 74693, 74694, 74698, 74699, 74700, 74701, 74702, 74703 |
| 24  | * 61116      | FÜR: 74686, 74689, 74692                                                                |
| 24  | * 61117      | FÜR: 74687, 74690, 74693                                                                |
| 24  | * 61118      | FÜR: 74688, 74691, 74694                                                                |
| 24  | * 67807      | FÜR: 74695, 74698, 74701                                                                |
| 24  | * 67808      | FÜR: 74696, 74699, 74702                                                                |
| 24  | * 67809      | FÜR: 74697, 74700, 74703                                                                |
| 26  | * 60559      | FÜR: 74686, 74689, 74692, 74695, 74698, 74701                                           |
| 26  | * 60606      | FÜR: 74687, 74688, 74690, 74691, 74693, 74694, 74696, 74697, 74699, 74700, 74702, 74703 |
| 27  | * 73480      | FÜR: 74689, 74690, 74691, 74692, 74693, 74694, 74698, 74699, 74700, 74701, 74702, 74703 |
| 28  | * 73481      | FÜR: 74692, 74693, 74694, 74701, 74702, 74703                                           |
| 29  | * 60618      | FÜR: 74689, 74690, 74691, 74692, 74693, 74694, 74698, 74699, 74700, 74701, 74702, 74703 |
| 30  | * 60632      | FÜR: 74689, 74690, 74691, 74692, 74693, 74694, 74698, 74699, 74700, 74701, 74702, 74703 |
| 31  | * 60633      | FÜR: 74692, 74693, 74694, 74701, 74702, 74703                                           |
| 32  | * 74493      | FÜR: 74689, 74690, 74691, 74692, 74693, 74694, 74698, 74699, 74700, 74701, 74702, 74703 |
| 34  | * 60648      | FÜR: 74689, 74690, 74691, 74692, 74693, 74694, 74698, 74699, 74700, 74701, 74702, 74703 |
| 35  | * 60649      | FÜR: 74692, 74693, 74694, 74701, 74702, 74703                                           |

**CODIGO** 74686, 74687, 74688, 74689, 74690, 74691, 74692, 74693, 74694, 74695, 74696, 74697, 74698, 74699, 74700, 74701, 74702, 74703

**DESCRIÇÃO:** SISTEMA NEOLYSIS 2 PISCINA PRIVADA



**PORTUGUES**

| POS | CODIGO     | DESCRIÇÃO                          | JANTIDADE | POS | CODIGO       | DESCRIÇÃO                          | JANTIDADE |
|-----|------------|------------------------------------|-----------|-----|--------------|------------------------------------|-----------|
| 1   | 4408040471 | TAMPAO                             |           | 16  | 4408070210   | PLACA VISUALIZAÇÃO ELECTRÓLISE NEO |           |
| 2   | 4408070208 | PLACA VISUALIZAÇÃO ELECTRÓLISE NEO |           | 17  | * 4408041106 | TRANSFORMADOR POTÊNCIA 190VA       |           |
| 3   | 4408070061 | BALASTRO LP 10, 14                 |           | 17  | * 4408041107 | TRANSFORMADOR POTÊNCIA 370VA       |           |
| 4   | 4408070209 | PBA FILTRO CONTROL                 |           | 17  | * 4408041202 | TRANSFORMADOR POTÊNCIA 480VA       |           |
| 5   | 4408040132 | JUNTA CELULA NEOLYSIS EPDM         |           | 18  | * 4408070211 | TARJETA POTÊNCIA NEO2-12           |           |
| 6   | 4408040133 | CÉLULA NEOLYSIS                    |           | 18  | * 4408070212 | TARJETA POTÊNCIA NEO2-24           |           |
| 7   | 4408041015 | PORTAFUSIVEIS 6X32 CHASIS          |           | 18  | * 4408070213 | TARJETA POTÊNCIA NEO2-32           |           |
| 8   | 4408040398 | FUSÍVEL 6X32 600MA                 |           | 19  | 4408040523   | PORTAFUSIVEIS 5X20 CHASIS          |           |
| 9   | 4408070065 | INTERRUPTOR                        |           | 20  | * 4408041113 | FUSÍVEL 2A                         |           |
| 10  | 4408070078 | CJTO. PORCAS                       |           | 20  | * 4408041114 | FUSÍVEL 3A                         |           |
| 11  | 4408070059 | LIGAÇÃO 4PIN                       |           | 20  | * 4408041204 | FUSÍVEL 4A                         |           |
| 12  | 4408060158 | SENSOR DE TEMPERATURA              |           | 21  | * 4408060121 | TAMPÃO PRETO OBTURADOR + JUNTA     |           |

**\* VEJA A FICHA DE OBSERVAÇÕES**



**CODIGO**                    **74686, 74687, 74688, 74689, 74690, 74691, 74692, 74693, 74694, 74695,  
74696, 74697, 74698, 74699, 74700, 74701, 74702, 74703**

**DESCRIÇÃO: SISTEMA NEOLYSIS 2 PISCINA PRIVADA**

|    |            |                                  |    |              |                                       |
|----|------------|----------------------------------|----|--------------|---------------------------------------|
| 13 | 4408070077 | JUNTA TÓRICA                     | 22 | * 4408040444 | PORTA-SONDAS                          |
| 14 | 4408040367 | CAIXILHO FRONTAL ELN CINZENTO    | 23 | * 4408040068 | VALVOLA INJEÇÃO PH-MINUS 3/8"         |
| 15 | 4408040366 | FRONTAL ELITE CONNECT PRETO      | 24 | * 61116      | SOBRESSALENTE ELÉCTRODO NEOLYSIS      |
| 24 | * 61117    | SOBRESSALENTE ELÉCTRODO NEOLYSIS | 28 | * 73481      | MÓDULO DE EXPANSÃO ORP                |
| 24 | * 61118    | SOBRESSALENTE ELÉCTRODO NEOLYSIS | 29 | * 60618      | SOLUÇÃO TAMPÃO PH 7,0 50 ML. (VERDE)  |
| 24 | * 67807    | SOBRESSALENTE ELÉCTRODO NEOLYSIS | 30 | * 60632      | SOLUÇÃO TAMPÃO PH 4,0 50 ML. (VERMEL) |
| 24 | * 67808    | SOBRESSALENTE ELÉCTRODO NEOLYSIS | 31 | * 60633      | SOLUÇÃO TAMPÃO 470 MV                 |
| 24 | * 67809    | SOBRESSALENTE ELÉCTRODO NEOLYSIS | 32 | * 74493      | PORTA-SONDAS                          |
| 25 | 60607      | TUBO DE QUARZO LP 10, 14         | 33 | 71124        | FLUXO-ESTATO                          |
| 26 | * 60559    | LÂMPADA UV LP-10                 | 34 | * 60648      | ELECTRODO COMBINADO PH                |
| 26 | * 60606    | LÂMPADA UV LP-14                 | 35 | * 60649      | ELECTRODO ORP                         |
| 27 | * 73480    | MÓDULO DE EXPANSÃO PH            |    |              |                                       |

**CODIGO**                    **74686, 74687, 74688, 74689, 74690, 74691, 74692, 74693, 74694, 74695, 74696, 74697, 74698, 74699, 74700, 74701, 74702, 74703**

**DESCRIÇÃO: SISTEMA NEOLYSIS 2 PISCINA PRIVADA**

## OBSERVAÇÕES

| POS | CODIGO       | OBSERVAÇÕES                                                                              |
|-----|--------------|------------------------------------------------------------------------------------------|
| 17  | * 4408041106 | PARA: 74686, 74689, 74692, 74695, 74698, 74701                                           |
| 17  | * 4408041107 | PARA: 74687, 74690, 74693, 74696, 74699, 74702                                           |
| 17  | * 4408041202 | PARA: 74688, 74691, 74694, 74697, 74700, 74703                                           |
| 18  | * 4408070211 | PARA: 74686, 74689, 74692, 74695, 74698, 74701                                           |
| 18  | * 4408070212 | PARA: 74687, 74690, 74693, 74696, 74699, 74702                                           |
| 18  | * 4408070213 | PARA: 74688, 74691, 74694, 74697, 74700, 74703                                           |
| 20  | * 4408041113 | PARA: 74686, 74689, 74692, 74695, 74698, 74701                                           |
| 20  | * 4408041114 | PARA: 74687, 74690, 74693, 74696, 74699, 74702                                           |
| 20  | * 4408041204 | PARA: 74688, 74691, 74694, 74697, 74700, 74703                                           |
| 21  | * 4408060121 | PARA: 74689, 74690, 74691, 74698, 74699, 74700                                           |
| 22  | * 4408040444 | PARA: 74689, 74690, 74691, 74692, 74693, 74694, 74698, 74699, 74700, 74701, 74702, 74703 |
| 23  | * 4408040068 | PARA: 74689, 74690, 74691, 74692, 74693, 74694, 74698, 74699, 74700, 74701, 74702, 74703 |
| 24  | * 61116      | PARA: 74686, 74689, 74692                                                                |
| 24  | * 61117      | PARA: 74687, 74690, 74693                                                                |
| 24  | * 61118      | PARA: 74688, 74691, 74694                                                                |
| 24  | * 67807      | PARA: 74695, 74698, 74701                                                                |
| 24  | * 67808      | PARA: 74696, 74699, 74702                                                                |
| 24  | * 67809      | PARA: 74697, 74700, 74703                                                                |
| 26  | * 60559      | PARA: 74686, 74689, 74692, 74695, 74698, 74701                                           |
| 26  | * 60606      | PARA: 74687, 74688, 74690, 74691, 74693, 74694, 74696, 74697, 74699, 74700, 74702, 74703 |
| 27  | * 73480      | PARA: 74689, 74690, 74691, 74692, 74693, 74694, 74698, 74699, 74700, 74701, 74702, 74703 |
| 28  | * 73481      | PARA: 74692, 74693, 74694, 74701, 74702, 74703                                           |
| 29  | * 60618      | PARA: 74689, 74690, 74691, 74692, 74693, 74694, 74698, 74699, 74700, 74701, 74702, 74703 |
| 30  | * 60632      | PARA: 74689, 74690, 74691, 74692, 74693, 74694, 74698, 74699, 74700, 74701, 74702, 74703 |
| 31  | * 60633      | PARA: 74692, 74693, 74694, 74701, 74702, 74703                                           |
| 32  | * 74493      | PARA: 74689, 74690, 74691, 74692, 74693, 74694, 74698, 74699, 74700, 74701, 74702, 74703 |
| 34  | * 60648      | PARA: 74689, 74690, 74691, 74692, 74693, 74694, 74698, 74699, 74700, 74701, 74702, 74703 |
| 35  | * 60649      | PARA: 74692, 74693, 74694, 74701, 74702, 74703                                           |