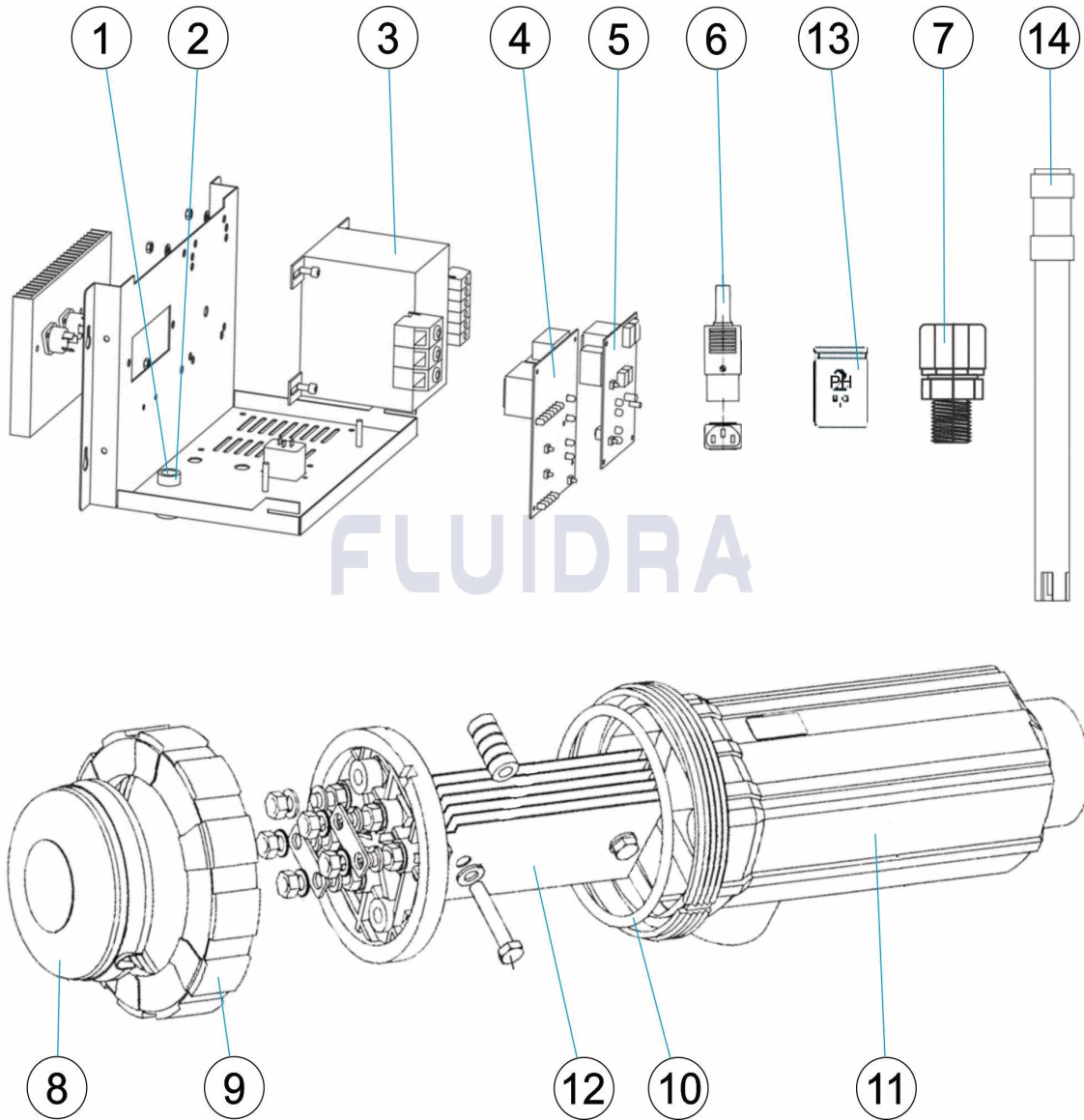


CODIGO 41371, 41439, 41440

DESCRIPCION: SISTEMA ELECTROLISIS SALINA PH GAMA PRIVADA



ESPAÑOL

POS	CODIGO	DESCRIPCION	CANTIDAD	POS	CODIGO	DESCRIPCION	CANTIDAD
1	*CE08040520	FUSIBLE 5X20 2A		7	CE08040604	PORTAELECTRODOS PE 12M/M-1/2"	
1	*CE08040521	FUSIBLE 5X20 3A		8	CE08040509	PROTECTOR CONTACTOS	
1	*CE08040522	FUSIBLE 5X20 4A		9	CE08040508	TUERCA CIERRE CELULA	
2	CE08040523	PORTAFUSIBLE 5X20 CHASIS		10	CE08040510	JUNTA VASO EPDM.	
3	*CE08040511	TRANSFORMADOR MODELO A-10		11	57655	CELULA PORTA ELECTRODOS	
3	*CE08040512	TRANSFORMADOR MODELO A-18		12	*CLEL011	ELECTRODO AUTOLIMPIANTE A-10, A-10Pt	
3	*CE08040513	TRANSFORMADOR MODELO A-25		12	*CLEL019	ELECTRODO AUTOLIMPIANTE A-18, A-18Pt	
4	*CE08040362	PBA CONTROL A-10		12	*CLEL025	ELECTRODO AUTOLIMPIANTE A-25, A-25Pt	
4	*CE08040304	PBA CONTROL A-18		13	60632	TAMPON PH 4,0 50 ML. (ROJO)	
4	*CE08040361	PBA CONTROL A-25		13	60618	TAMPON PH 7,0 50 M/L. (VERDE)	
5	CE08040602	PLACA CONTROL PH		14	60648	ELECTRODO COMBINADO PH	
6	CE08040524	CONECTOR CEE22 PARA BOMBA DOSIFIC.					

CODIGO **41371, 41439, 41440**

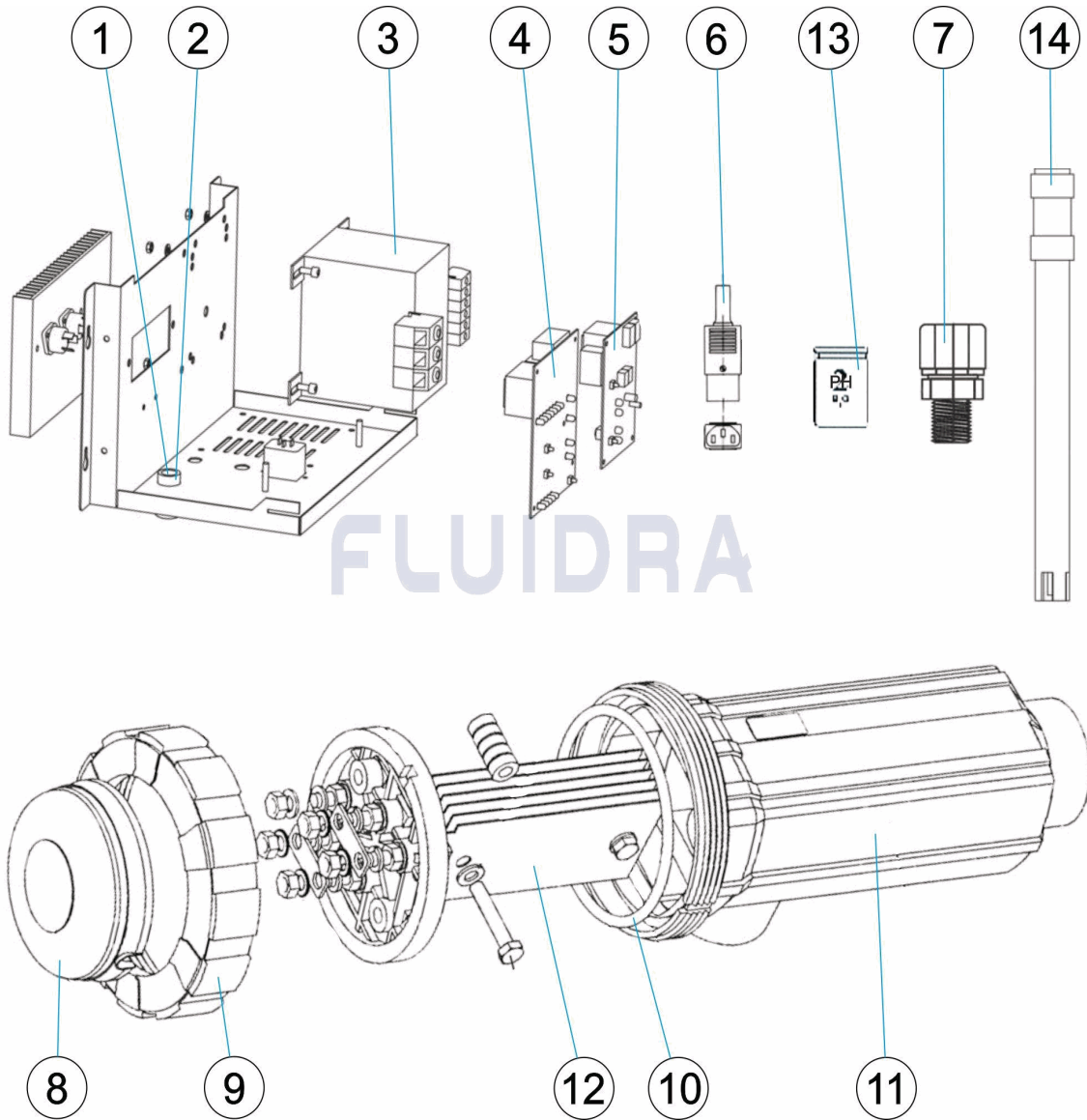
DESCRIPCION: **SISTEMA ELECTROLISIS SALINA PH GAMA PRIVADA**

OBSERVACIONES

POS	CODIGO	OBSERVACIONES
1	*CE08040520	PARA: 41439
1	*CE08040521	PARA: 41371
1	*CE08040522	PARA: 41440
3	*CE08040511	PARA: 41439
3	*CE08040512	PARA: 41371
3	*CE08040513	PARA: 41440
4	*CE08040362	PARA: 41439
4	*CE08040304	PARA: 41439
4	*CE08040361	PARA: 41440
12	*CLEL011	PARA: 41439
12	*CLEL019	PARA: 41371
12	*CLEL025	PARA: 41440

CODE 41371, 41439, 41440

DESCRIPTION: SYSTÈME ÉLECTROLYSE SALINE PH GAMME PRIVÉE



FRANCAIS

POS	CODE	DESCRIPTION	QUANTITE	POS	CODE	DESCRIPTION	QUANTITE
1	* CE08040520	FUSIBLE 5X20 2A		7	CE08040604	PORTE-ÉLECTRODE PE 12M/M. 1/2"	
1	* CE08040521	FUSIBLE 5X20 3A		8	CE08040509	PROTECTEUR CONTACTS	
1	* CE08040522	FUSIBLE 5X20 4A		9	CE08040508	ECRU FERMETURE CELLULE	
2	CE08040523	PORTE-FUSIBLES 5X20 CHASSIS		10	CE08040510	JOINT VASE EPDM	
3	* CE08040511	TRANSFORMATEUR MODÈLE A-10		11	57655	CELLULE PORTE-ÉLECTRODE	
3	* CE08040512	TRANSFORMATEUR MODÈLE A-18		12	* CLEL011	ELECTRODE AUTO-NETTOYANTE A-10, A-11	
3	* CE08040513	TRANSFORMATEUR MODÈLE A-25		12	* CLEL019	ELECTRODE AUTO-NETTOYANTE A-18, A-1:	
4	* CE08040362	PBA CONTRÔLE A-10		12	* CLEL025	ELECTRODE AUTO-NETTOYANTE A-25, A-2:	
4	* CE08040304	PBA CONTRÔLE A-18		13	60632	TAMPON PH 4,0 50 ML. (ROUGE)	
4	* CE08040361	PBA CONTRÔLE A-25		13	60618	TAMPON PH 7,0 50 M/L. (VERT)	
5	CE08040602	PLAQUE CONTRÔLE PH		14	60648	ELECTRODE COMBINÉE PH	
6	CE08040524	CONNECTEUR CEE22 POUR POMPE DOSÉ					

CODE **41371, 41439, 41440**

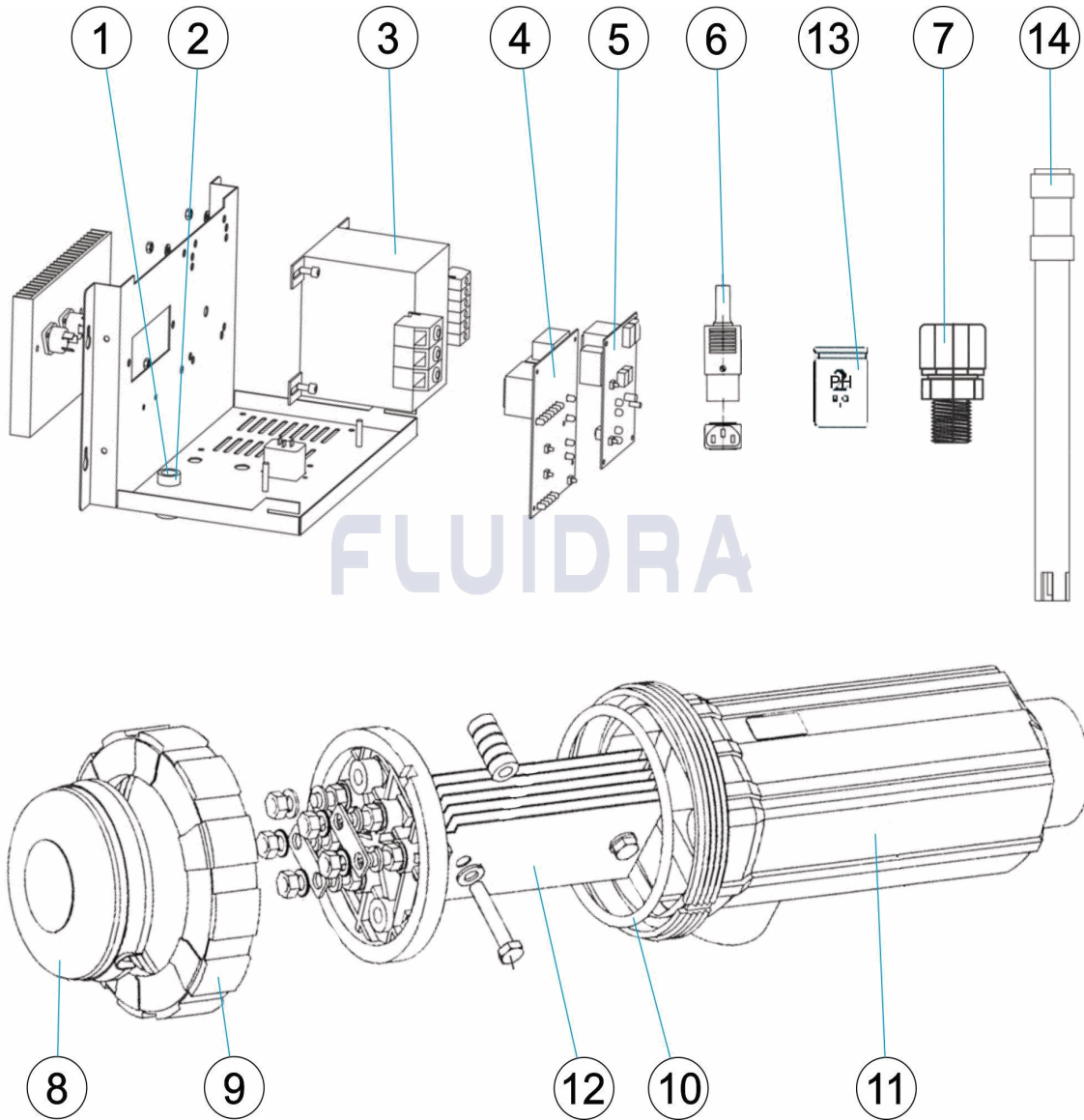
DESCRIPTION: **SYSTÈME ÉLECTROLYSE SALINE PH GAMME PRIVÉE**

OBSERVATIONS

POS	CODE	OBSERVATIONS
1	*CE08040520	POUR: 41439
1	*CE08040521	POUR: 41371
1	*CE08040522	POUR: 41440
3	*CE08040511	POUR: 41439
3	*CE08040512	POUR: 41371
3	*CE08040513	POUR: 41440
4	*CE08040362	POUR: 41439
4	*CE08040304	POUR: 41439
4	*CE08040361	POUR: 41440
12	*CLEL011	POUR: 41439
12	*CLEL019	POUR: 41371
12	*CLEL025	POUR: 41440

CODE 41371, 41439, 41440

DESCRIPTION: SALINE ELECTROLYSIS SYSTEM PH PRIVATE RANGE



ENGLISH

POS	CODE	DESCRIPTION	QUANTITY	POS	CODE	DESCRIPTION	QUANTITY
1	* CE08040520	FUSE 5X20 2A		7	CE08040604	ELECTRODE CARRIER PE 12M/M.-1/2"	
1	* CE08040521	FUSE 5X20 3A		8	CE08040509	CONTAC PROTECTION	
1	* CE08040522	FUSE 5X20 4A		9	CE08040508	CLOSINGNUT FOR CELL	
2	CE08040523	FUSE HOLDER 5X20		10	CE08040510	CELL EPDM GASKET	
3	* CE08040511	POWER TRANSFORMER A-10		11	57655	ELECTRODE CELL	
3	* CE08040512	POWER TRANSFORMER A-18		12	* CLEL011	ELECTRODE A-10, A-10PH	
3	* CE08040513	POWER TRANSFORMER A-25		12	* CLEL019	ELECTRODE A-18, A-18PH	
4	* CE08040362	PBA CONTROL A-10		12	* CLEL025	ELECTRODE A-25, A-25PH	
4	* CE08040304	PBA CONTROL A-18		13	60632	CALIBRATION SOLUTION PH 4,0 50 ML. (RE	
4	* CE08040361	PBA CONTROL A-25		13	60618	CALIBRATION SOLUTION PH 7,0 50 M/L. (GF	
5	CE08040602	ELECTRONIC CARD PH		14	60648	ELECTRODE PH	
6	CE08040524	CEE22 CONNECTOR PUMP					



PARTS BREAKDOWN

REV.: 0
DATE: 28/03/2022
SHEET: 2/2

1675

CODE **41371, 41439, 41440**

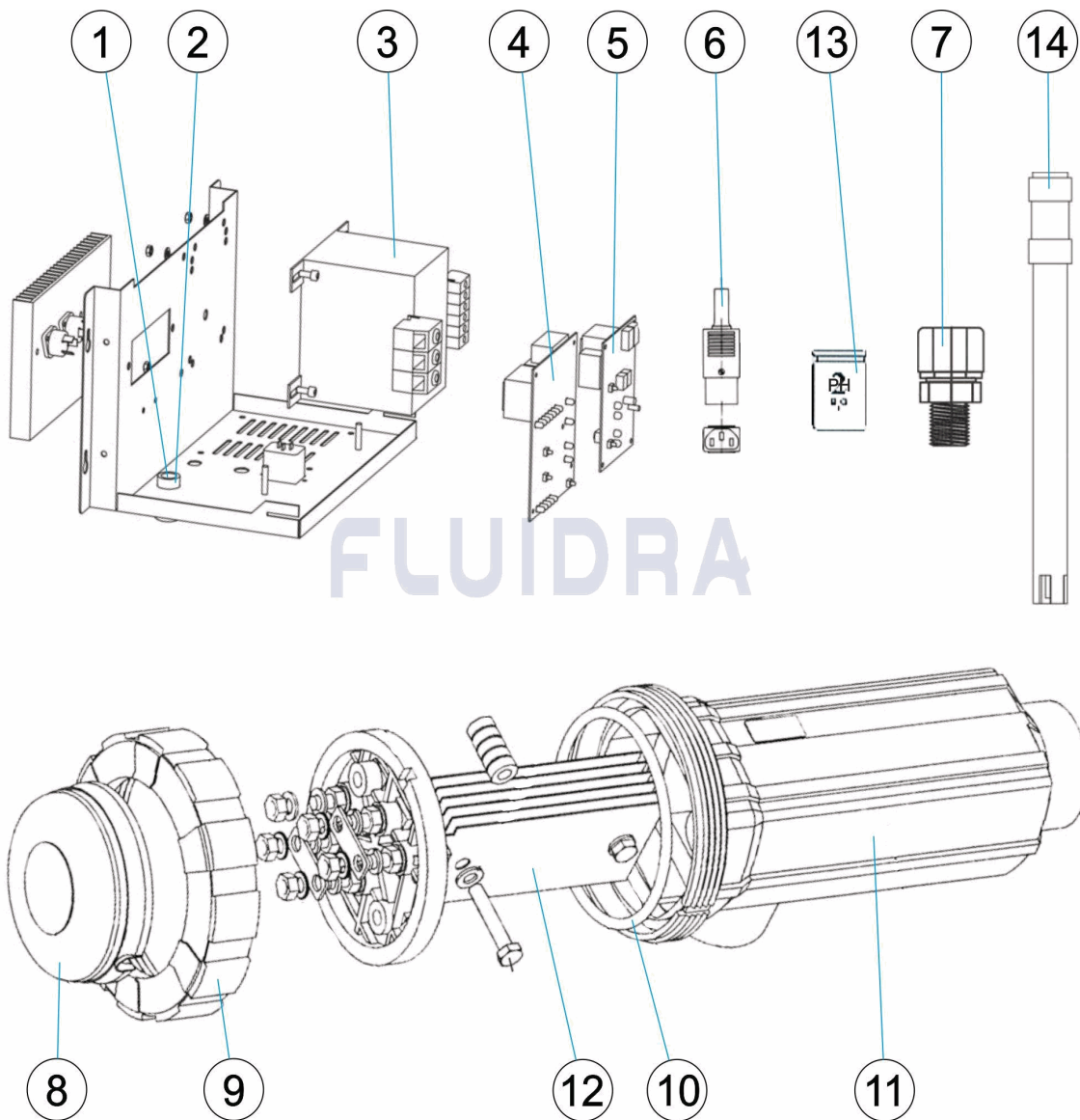
DESCRIPTION: **SALINE ELECTROLYSIS SYSTEM PH PRIVATE RANGE**

OBSERVATIONS

POS	CODE	OBSERVATIONS
1	*CE08040520	FOR: 41439
1	*CE08040521	FOR: 41371
1	*CE08040522	FOR: 41440
3	*CE08040511	FOR: 41439
3	*CE08040512	FOR: 41371
3	*CE08040513	FOR: 41440
4	*CE08040362	FOR: 41439
4	*CE08040304	FOR: 41439
4	*CE08040361	FOR: 41440
12	*CLEL011	FOR: 41439
12	*CLEL019	FOR: 41371
12	*CLEL025	FOR: 41440

CODICE 41371, 41439, 41440

DESCRIZIONE: SISTEMA ELECTROLISI SALINA PH GAMMA PRIVATA



ITALIANO

POS	CODICE	DESCRIZIONE	QUANTITA'	POS	CODICE	DESCRIZIONE	QUANTITA'
1	* CE08040520	FUSIBILE 5X20 2A		7	CE08040604	PORTAELETTODO PE 12M/M. X 1/2"	
1	* CE08040521	FUSIBILE 5X20 3A		8	CE08040509	PROTECTORE CONTATTI	
1	* CE08040522	FUSIBILE 5X20 4A		9	CE08040508	GHIERA CHIUSURA CELLA	
2	CE08040523	PORTAFUSIBILI 5X20 CORPO		10	CE08040510	GUARNICIONE COPERCHIO CELLA	
3	* CE08040511	TRANSFORMATORE A-10		11	57655	CELLA PORTAELETTRODI	
3	* CE08040512	TRANSFORMATORE A-18		12	* CLEL011	ELETTRODO A-10, A-10PH	
3	* CE08040513	TRANSFORMATORE A-25		12	* CLEL019	ELETTRODO A-18, A-18PH	
4	* CE08040362	PBA A-10		12	* CLEL025	ELETTRODO A-25, A-25PH	
4	* CE08040304	PBA A-18		13	60632	SOLUCIONE TAMPONE PH 4,0 50 ML. (ROS:	
4	* CE08040361	PBA A-25		13	60618	SOLUCIONE TAMPONE PH 7,0 50 M/L. (VER	
5	CE08040602	SCHEDA PH		14	60648	ELETTRODO COMBINATO PH	
6	CE08040524	CONNETTORE CEE22 POMPA DOSATRICE					

CODICE **41371, 41439, 41440**

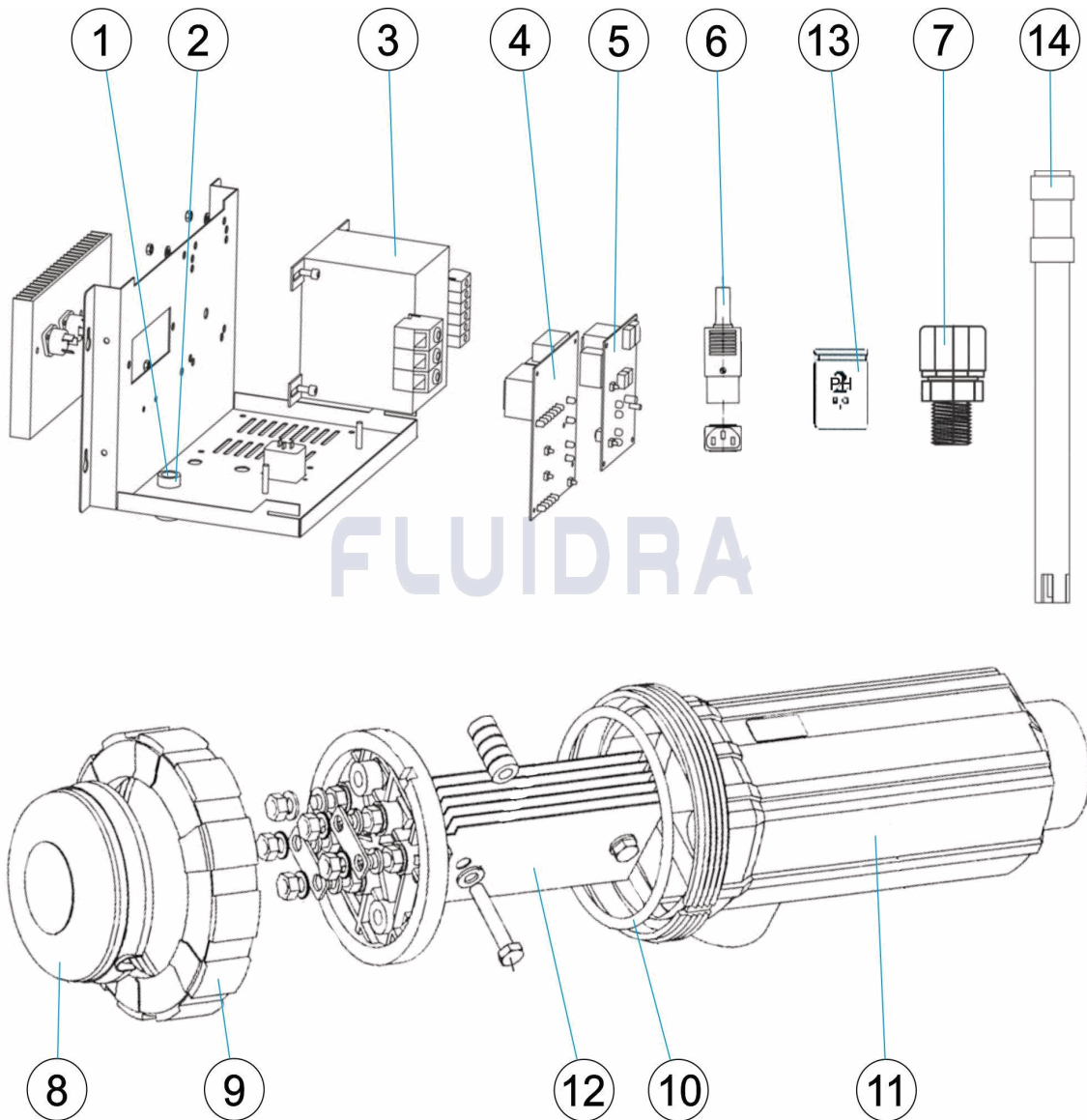
DESCRIZIONE: **SISTEMA ELECTROLISI SALINA PH GAMMA PRIVATA**

OSSERVAZIONI

POS	CODICE	OSSERVAZIONI
1	*CE08040520	PER: 41439
1	*CE08040521	PER: 41371
1	*CE08040522	PER: 41440
3	*CE08040511	PER: 41439
3	*CE08040512	PER: 41371
3	*CE08040513	PER: 41440
4	*CE08040362	PER: 41439
4	*CE08040304	PER: 41439
4	*CE08040361	PER: 41440
12	*CLEL011	PER: 41439
12	*CLEL019	PER: 41371
12	*CLEL025	PER: 41440

CODE 41371, 41439, 41440

BESCHREIBUNG: ELEKTROLYTSYSTEM SALZ PH PRIVATGEBRAUCH



DEUTSCH

POS	CODE	BESCHREIBUNG	MENGE	POS	CODE	BESCHREIBUNG	MENGE
1	* CE08040520	SICHERUNG 5 X 20 2 A		7	CE08040604	ELEKTRODENSITZ PE 12 MM-1/2"	
1	* CE08040521	SICHERUNG 5 X 20 3 A		8	CE08040509	KONTAKTSCHUTZ	
1	* CE08040522	SICHERUNG 5 X 20 4 A		9	CE08040508	MUTTER SCHLIESSVORRICHTUNG ZELLE	
2	CE08040523	SICHERUNGSSITZ 5 X 20 RAHMEN		10	CE08040510	DICHTUNG GEHÄUSE EPDM	
3	* CE08040511	TRAFO MODELL A-10		11	57655	ELEKTRODENZELLE	
3	* CE08040512	TRAFO MODELL A-18		12	* CLEL011	ELEKTRODE SELBSTREINIGEND A-10, A-10	
3	* CE08040513	TRAFO MODELL A-25		12	* CLEL019	ELEKTRODE SELBSTREINIGEND A-18, A-18	
4	* CE08040362	PBA STEUERUNG A-10		12	* CLEL025	ELEKTRODE SELBSTREINIGEND A-25, A-25	
4	* CE08040304	PBA STEUERUNG A-18		13	60632	PUFFER PH 4,0 50 ML (ROT)	
4	* CE08040361	PBA STEUERUNG A-25		13	60618	PUFFER PH 7,0 50 M/L (GRÜN)	
5	CE08040602	STEUERPLATINE PH		14	60648	ELEKTRODE KOMBINIERT PH	
6	CE08040524	STECKKUPPLUNG CEE22 FÜR DOSIERPUI					

CODE **41371, 41439, 41440**

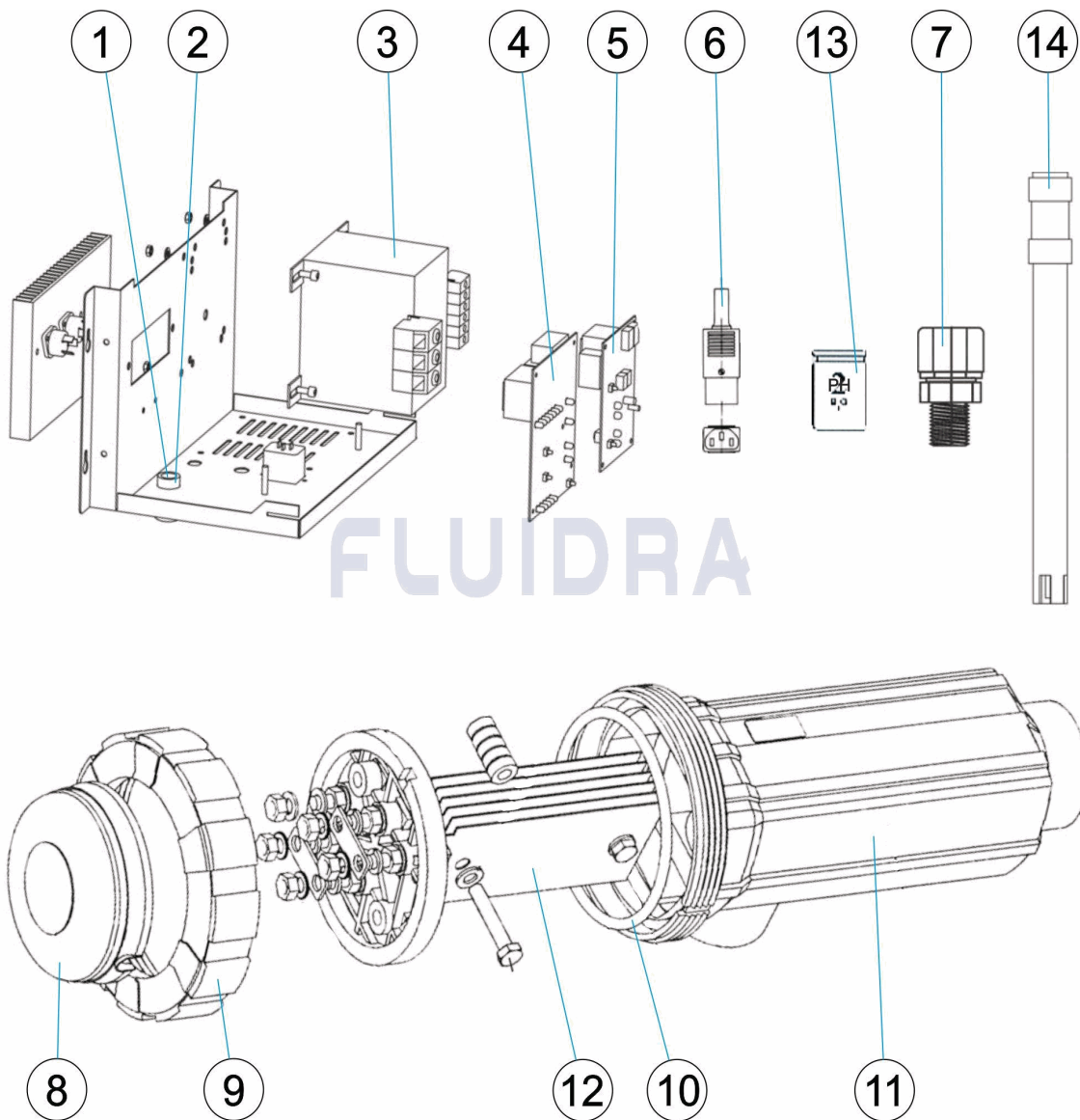
BESCHREIBUNG: ELEKTROLYTSYSTEM SALZ PH PRIVATGEBRAUCH

HINWEISE

POS	CODE	HINWEISE
1	*CE08040520	FÜR: 41439
1	*CE08040521	FÜR: 41371
1	*CE08040522	FÜR: 41440
3	*CE08040511	FÜR: 41439
3	*CE08040512	FÜR: 41371
3	*CE08040513	FÜR: 41440
4	*CE08040362	FÜR: 41439
4	*CE08040304	FÜR: 41439
4	*CE08040361	FÜR: 41440
12	*CLEL011	FÜR: 41439
12	*CLEL019	FÜR: 41371
12	*CLEL025	FÜR: 41440

CODIGO 41371, 41439, 41440

DESCRICÃO: SISTEMA ELECTRÓLISE SALINA PH GAMA PRIVADA



PORTUGUES

POS	CODIGO	DESCRICÃO	JANTIDADE	POS	CODIGO	DESCRICÃO	JANTIDADE
1	* CE08040520	FUSÍVEL 5X20 2A		7	CE08040604	PORTAELECTRODOS PE 12M/M-1/2"	
1	* CE08040521	FUSÍVEL 5X20 3A		8	CE08040509	PROTECTOR CONTACTOS	
1	* CE08040522	FUSÍVEL 5X20 4A		9	CE08040508	TAMPA ROSCADA DE FECHO DA VASO	
2	CE08040523	PORTAFUSIVEIS 5X20 CHASIS		10	CE08040510	JUNTA EPDM COPO	
3	* CE08040511	TRANSFORMADOR MODELO A-10		11	57655	VASO PORTA-ELECTRODOS	
3	* CE08040512	TRANSFORMADOR MODELO A-18		12	* CLEL011	ELECTRODO AUTO-LIMPANT. A-10, A-10PF	
3	* CE08040513	TRANSFORMADOR MODELO A-25		12	* CLEL019	ELECTRODO AUTO-LIMPANT. A-18, A-18PF	
4	* CE08040362	PBA CONTROL A-10		12	* CLEL025	ELECTRODO AUTO-LIMPANT. A-25, A-25PH	
4	* CE08040304	PBA CONTROL A-18 CK		13	60632	SOLUÇÃO TAMPÃO PH 4,0 50 ML. (VERMEL	
4	* CE08040361	PBA CONTROL A-25		13	60618	SOLUÇÃO TAMPÃO PH 7,0 50 M/L. (VERDE)	
5	CE08040602	PLACA CONTROLO PH		14	60648	ELECTRODO COMBINADO PH	
6	CE08040524	CONECTOR CEE 22 PARA BOMBA DOSIFIC					

CODIGO **41371, 41439, 41440**

DESCRIÇÃO: **SISTEMA ELECTRÓLISE SALINA PH GAMA PRIVADA**

OBSERVAÇÕES

POS	CODIGO	OBSERVAÇÕES
1	*CE08040520	PARA: 41439
1	*CE08040521	PARA: 41371
1	*CE08040522	PARA: 41440
3	*CE08040511	PARA: 41439
3	*CE08040512	PARA: 41371
3	*CE08040513	PARA: 41440
4	*CE08040362	PARA: 41439
4	*CE08040304	PARA: 41439
4	*CE08040361	PARA: 41440
12	*CLEL011	PARA: 41439
12	*CLEL019	PARA: 41371
12	*CLEL025	PARA: 41440