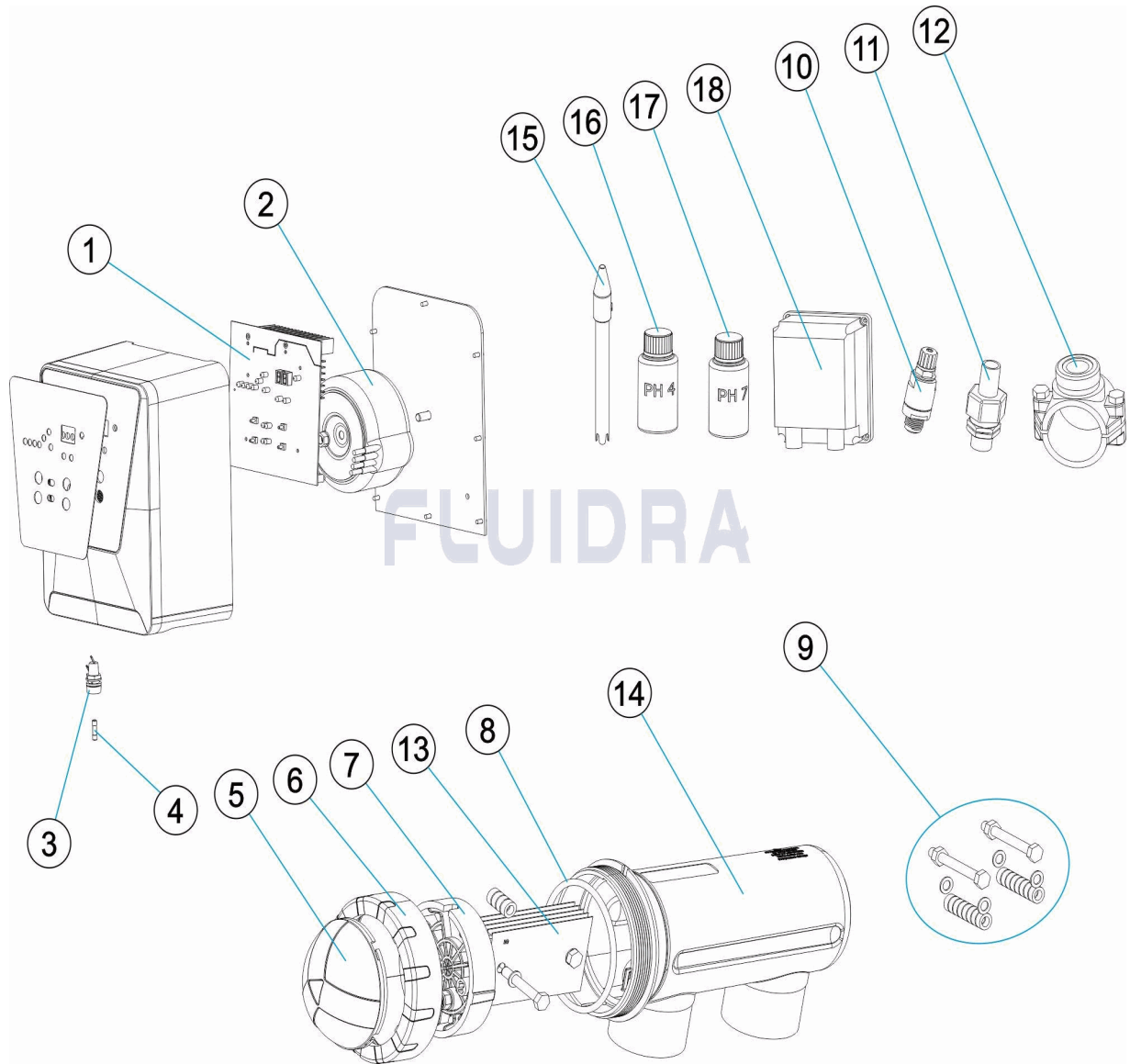


CODIGO **74944, 74945, 74946, 74947, 74948**

DESCRIPCION: **E-NEXT PH**



ESPAÑOL

POS	CODIGO	DESCRIPCION	CANTIDAD	POS	CODIGO	DESCRIPCION	CANTIDAD
1	* 4408040473	PBA TC LC PH 7GR		5	4408040330	PROTECTOR CONTACTOS	
1	* 4408040446	PBA MOD.TC LC PH 12GR		6	4408040329	TUERCA CIERRE	
1	* 4408040447	PBA MOD.TC LC PH 21GR		7	* 4408040076	SOPORTE ELECTRODO ABIERTO TC	
1	* 4408040448	PBA MOD.TC LC PH 30GR		7	* 4408040408	SOPORTE ELECTRODO	
1	* 4408040472	PBA TC LC PH 40GR		7	* 4408040409	SOPORTE ELECTRODO	
2	* 4408040265	TRANSFORMADOR 110VA		8	4408040328	JUNTA CELULA	
2	* 4408040266	TRANSFORMADOR 190VA		9	* 4408040073	KIT ANCLAJE ELECTRODOS DOMESTICO	
2	* 4408040267	TRANSFORMADOR 230VA		10	4408040068	VALVULA INYECCION PH-MINUS 3/8"	
2	* 4408040268	TRANSFORMADOR 340VA		11	4408040474	RACORD PORTASONDAS	
2	* 4408040269	TRANSFORMADOR 440VA		12	4408060119	COLLARIN DE CARGA 50	
3	4408040523	PORTAFUSIBLE 5X20 CHASIS		13	* R-458	ELECTRODO DT7 TECNO	
4	* 4408041112	FUSIBLE 1A		13	* 72329	ELECTRODO DT12 TECNO	
4	* 4408041113	FUSIBLE 2A		13	* 72330	ELECTRODO DT21 TECNO	

*** NOTA OBSERVACIONES**

CODIGO **74944, 74945, 74946, 74947, 74948**

DESCRIPCION: **E-NEXT PH**

4	* 4408041114	FUSIBLE 3A	13	* 72331	ELECTRODO DT30 TECNO
4	* 4408041204	FUSIBLE 4A	13	* 72332	ELECTRODO DT40 TECNO
14	* R-401	VASO CELULA	16	60632	TAMPON PH 4,0 50 ML. (ROJO)
14	* R-411	VASO CELULA BIPOLAR	17	60618	TAMPON PH 7,0 50 M/L. (VERDE)
15	60648	ELECTRODO COMBINADO PH	18	70054	BOMBA PERISTALTICA 1,5-1,5 230V

CODIGO 74944, 74945, 74946, 74947, 74948

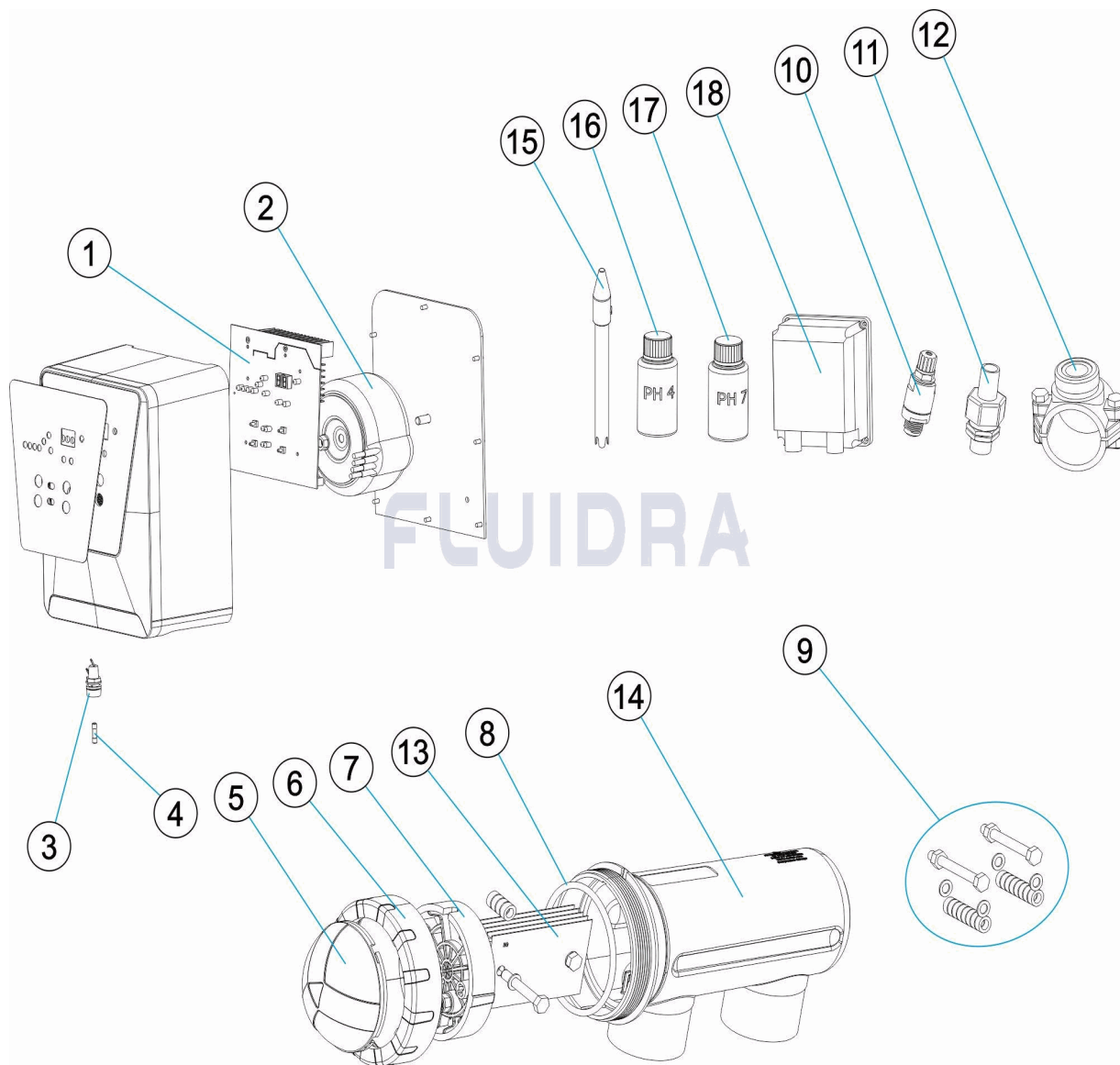
DESCRIPCION: E-NEXT PH

OBSERVACIONES

POS	CODIGO	OBSERVACIONES
1	* 4408040473	PARA: 74944
1	* 4408040446	PARA: 74945
1	* 4408040447	PARA: 74946
1	* 4408040448	PARA: 74947
1	* 4408040472	PARA: 74948
2	* 4408040265	PARA: 74944
2	* 4408040266	PARA: 74945
2	* 4408040267	PARA: 74946
2	* 4408040268	PARA: 74947
2	* 4408040269	PARA: 74948
4	* 4408041112	PARA: 74944
4	* 4408041113	PARA: 74945, 74946
4	* 4408041114	PARA: 74947
4	* 4408041204	PARA: 74948
7	* 4408040076	PARA: 74944, 74945
7	* 4408040408	PARA: 74946
7	* 4408040409	PARA: 74947, 74948
9	* 4408040073	PARA: 74944, 74945
13	* R-458	PARA: 74944
13	* 72329	PARA: 74945
13	* 72330	PARA: 74946
13	* 72331	PARA: 74947
13	* 72332	PARA: 74948
14	* R-401	PARA: 74944, 74945
14	* R-411	PARA: 74946, 74947, 74948

CODE 74944, 74945, 74946, 74947, 74948

DESCRIPTION: E-NEXT PH



FRANCAIS

POS	CODE	DESCRIPTION	QUANTITE	POS	CODE	DESCRIPTION	QUANTITE
1	* 440804073	PBA TC LC PH 7GR		5	4408040330	PROTECTEUR CONTACTS	
1	* 4408040446	PBA MOD.TC LC PH 12GR		6	4408040329	ÉCROU SERRAGE	
1	* 4408040447	PBA MOD.TC LC PH 21GR		7	* 4408040076	ÉLECTRODES DE RECHANGE SUPPORT O	
1	* 4408040448	PBA MOD.TC LC PH 30GR		7	* 4408040408	ÉLECTRODES SUPPORT	
1	* 4408040472	PBA TC LC PH 40GR		7	* 4408040409	ÉLECTRODES SUPPORT	
2	* 4408040265	TRANSFORMATEUR PUISSANCE 110VA		8	4408040328	JOINT CELLULE	
2	* 4408040266	TRANSFORMATEUR PUISSANCE 190VA		9	* 4408040073	KIT ANCRAGE ÉLECTRODES KIT	
2	* 4408040267	TRANSFORMATEUR PUISSANCE 230VA		10	4408040068	VANNE INJECTION PH-MINUS 3/8"	
2	* 4408040268	TRANSFORMATEUR PUISSANCE 340VA		11	4408040474	RACCORD PORTE-SONDES	
2	* 4408040269	TRANSFORMATEUR PUISSANCE 440VA		12	4408060119	COLLIER PRISE CHARGE D.50	
3	4408040523	PORTE-FUSIBLES 5X20 CHASSIS		13	* R-458	ELECTRODE DT7 TECNO	
4	* 4408041112	FUSIBLE 1A		13	* 72329	ELECTRODE DT12 TECNO	
4	* 4408041113	FUSIBLE 2A		13	* 72330	ELECTRODE DT21 TECNO	

* VOIR FICHE D'OBSERVATIONS

CODE **74944, 74945, 74946, 74947, 74948**

DESCRIPTION: **E-NEXT PH**

4	* 4408041114	FUSIBLE 3A	13	* 72331	ELECTRODE DT30 TECNO
4	* 4408041204	FUSIBLE 4A	13	* 72332	ELECTRODE DT40 TECNO
14	* R-401	RÉSERVOIR CELLULE	16	60632	TAMPON PH 4,0 50 ML. (ROUGE)
14	* R-411	RÉSERVOIR CELLULE BIPOLAIRE	17	60618	TAMPON PH 7,0 50 M/L. (VERT)
15	60648	ELECTRODE COMBINÉE PH	18	70054	POMPE PÉRISTALTIQUE 1,5-1,5 230V

CODE **74944, 74945, 74946, 74947, 74948**

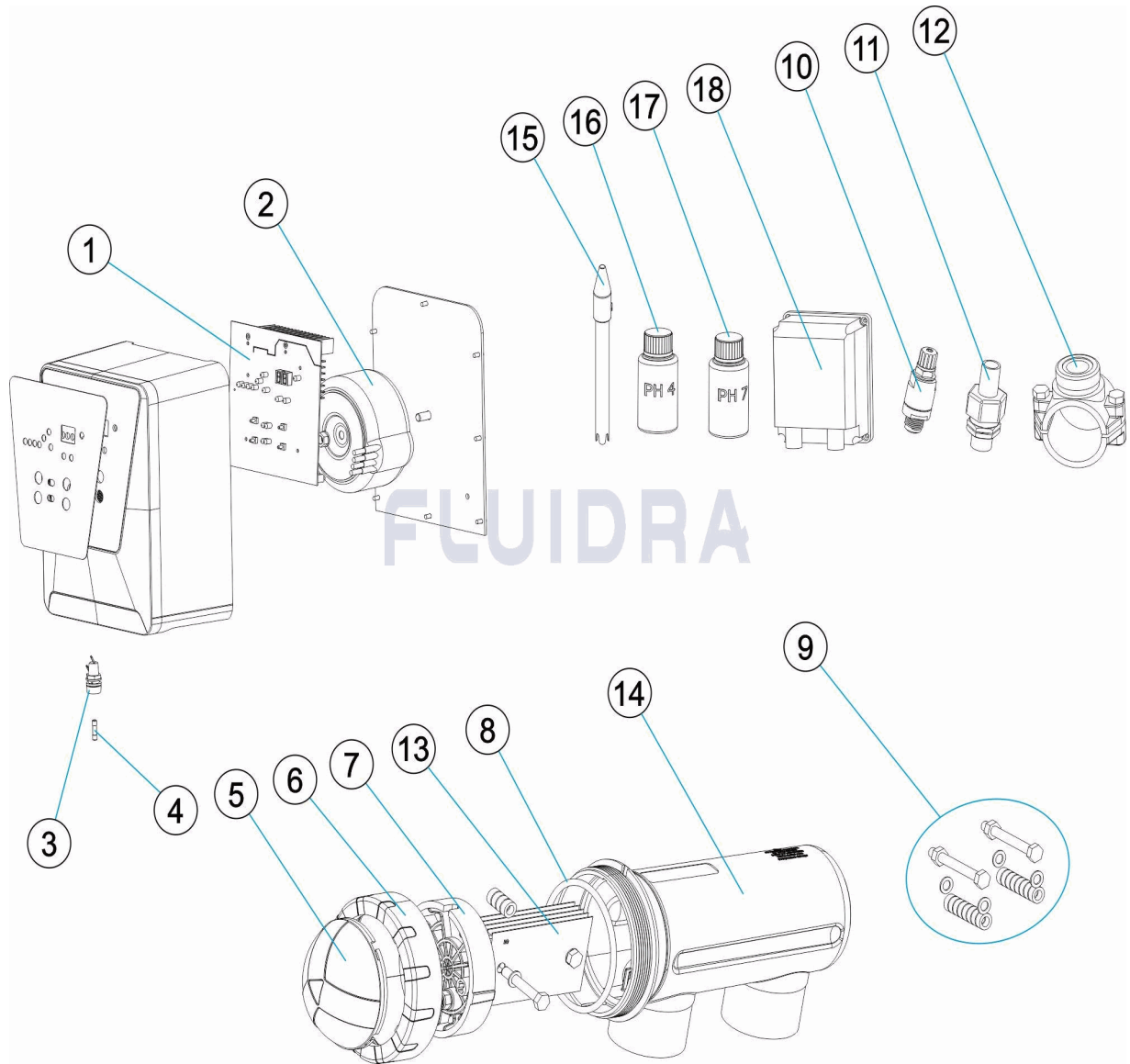
DESCRIPTION: **E-NEXT PH**

OBSERVATIONS

POS	CODE	OBSERVATIONS
1	* 4408040473	POUR: 74944
1	* 4408040446	POUR: 74945
1	* 4408040447	POUR: 74946
1	* 4408040448	POUR: 74947
1	* 4408040472	POUR: 74948
2	* 4408040265	POUR: 74944
2	* 4408040266	POUR: 74945
2	* 4408040267	POUR: 74946
2	* 4408040268	POUR: 74947
2	* 4408040269	POUR: 74948
4	* 4408041112	POUR: 74944
4	* 4408041113	POUR: 74945, 74946
4	* 4408041114	POUR: 74947
4	* 4408041204	POUR: 74948
7	* 4408040076	POUR: 74944, 74945
7	* 4408040408	POUR: 74946
7	* 4408040409	POUR: 74947, 74948
9	* 4408040073	POUR: 74944, 74945
13	* R-458	POUR: 74944
13	* 72329	POUR: 74945
13	* 72330	POUR: 74946
13	* 72331	POUR: 74947
13	* 72332	POUR: 74948
14	* R-401	POUR: 74944, 74945
14	* R-411	POUR: 74946, 74947, 74948

CODE **74944, 74945, 74946, 74947, 74948**

DESCRIPTION: **E-NEXT PH**



ENGLISH

POS	CODE	DESCRIPTION	QUANTITY	POS	CODE	DESCRIPTION	QUANTITY
1	* 440804073	PBA TC LC PH 7GR		5	4408040330	CONTAC PROTECTION	
1	* 4408040446	PBA MOD.TC LC PH 12GR		6	4408040329	LOCK NUT	
1	* 4408040447	PBA MOD.TC LC PH 21GR		7	* 4408040076	TC ELECTRODE HOLDER	
1	* 4408040448	PBA MOD.TC LC PH 30GR		7	* 4408040408	ELECTRODE HOLDER	
1	* 4408040472	PBA TC LC PH 40GR		7	* 4408040409	ELECTRODE HOLDER	
2	* 4408040265	POWER TRANSFORMER 110 VA		8	4408040328	CELL GASKET	
2	* 4408040266	POWER TRANSFORMER 190 VA		9	* 4408040073	ELECTRODE FIXING KIT	
2	* 4408040267	POWER TRANSFORMER 230 VA		10	4408040068	PH-MINUS INJECTION VALVE 3/8"	
2	* 4408040268	POWER TRANSFORMER 340 VA		11	4408040474	SENSOR HOLDER FITTING	
2	* 4408040269	POWER TRANSFORMER 440 VA		12	4408060119	50 CLAMP SADDLE	
3	4408040523	FUSE HOLDER 5X20		13	* R-458	DT7 TECNO ELECTRODE	
4	* 4408041112	FUSE 1A		13	* 72329	DT12 TECNO ELECTRODE	
4	* 4408041113	FUSE 2A		13	* 72330	DT21 TECNO ELECTRODE	

*** SEE OBSERVATIONS SHEET**

CODE **74944, 74945, 74946, 74947, 74948**

DESCRIPTION: **E-NEXT PH**

4	* 4408041114	FUSE 3A	13	* 72331	DT30 TECNO ELECTRODE
4	* 4408041204	FUSE 4A	13	* 72332	DT40 TECNO ELECTRODE
14	* R-401	CELL TANK	16	60632	CALIBRATION SOLUTION PH 4,0 50 ML. (RE
14	* R-411	BIPOLAR CELL TANK	17	60618	CALIBRATION SOLUTION PH 7,0 50 M/L. (Gf
15	60648	ELECTRODE PH	18	70054	PERISTALTIC PUMP 1,5-1,5 230V

CODE **74944, 74945, 74946, 74947, 74948**

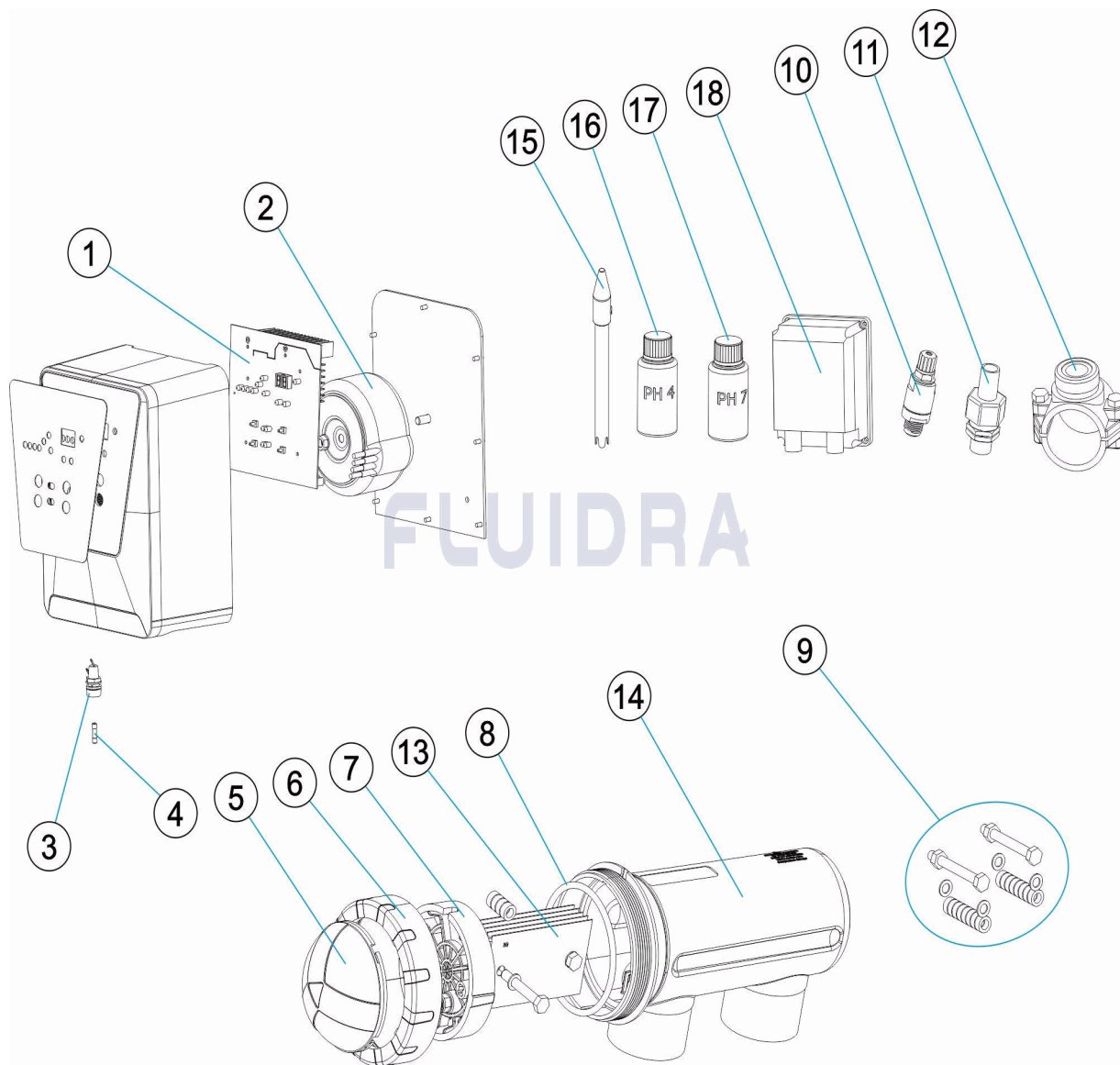
DESCRIPTION: **E-NEXT PH**

OBSERVATIONS

POS	CODE	OBSERVATIONS
1	* 4408040473	FOR: 74944
1	* 4408040446	FOR: 74945
1	* 4408040447	FOR: 74946
1	* 4408040448	FOR: 74947
1	* 4408040472	FOR: 74948
2	* 4408040265	FOR: 74944
2	* 4408040266	FOR: 74945
2	* 4408040267	FOR: 74946
2	* 4408040268	FOR: 74947
2	* 4408040269	FOR: 74948
4	* 4408041112	FOR: 74944
4	* 4408041113	FOR: 74945, 74946
4	* 4408041114	FOR: 74947
4	* 4408041204	FOR: 74948
7	* 4408040076	FOR: 74944, 74945
7	* 4408040408	FOR: 74946
7	* 4408040409	FOR: 74947, 74948
9	* 4408040073	FOR: 74944, 74945
13	* R-458	FOR: 74944
13	* 72329	FOR: 74945
13	* 72330	FOR: 74946
13	* 72331	FOR: 74947
13	* 72332	FOR: 74948
14	* R-401	FOR: 74944, 74945
14	* R-411	FOR: 74946, 74947, 74948

CODICE 74944, 74945, 74946, 74947, 74948

DESCRIZIONE: E-NEXT PH



ITALIANO

POS	CODICE	DESCRIZIONE	QUANTITA'	POS	CODICE	DESCRIZIONE	QUANTITA'
1	* 4408040473	PBA TC LC PH 7GR		5	4408040330	PROTECTORE CONTATTI	
1	* 4408040446	PBA MOD.TC LC PH 12GR		6	4408040329	DADO CHIUSURA	
1	* 4408040447	PBA MOD.TC LC PH 21GR		7	* 4408040076	ELETTRODI DI RICAMBIO RICHIESTA SOST	
1	* 4408040448	PBA MOD.TC LC PH 30GR		7	* 4408040408	ELETTRODI SOSTEGNO	
1	* 4408040472	PBA TC LC PH 40GR		7	* 4408040409	ELETTRODI SOSTEGNO	
2	* 4408040265	TRANSFORMATORE POTENZA 110 VA		8	4408040328	GIUNTURA CELLULA	
2	* 4408040266	TRANSFORMATORE POTENZA 190 VA		9	* 4408040073	ELETTRODI KIT ANCORAGGIO	
2	* 4408040267	TRANSFORMATORE POTENZA 230 VA		10	4408040068	VALVOLA INIEZIONE PH-MINUS 3/8"	
2	* 4408040268	TRANSFORMATORE POTENZA 340 VA		11	4408040474	RACCORDO PORTA-SONDE	
2	* 4408040269	TRANSFORMATORE POTENZA 440 VA		12	4408060119	COLLARE D. 50	
3	4408040523	PORTAFUSIBILI 5X20 CORPO		13	* R-458	ELETTRODO DT7 TECNO	
4	* 4408041112	FUSIVILE 1A		13	* 72329	ELETTRODO DT12 TECNO	
4	* 4408041113	FUSIVILE 2A		13	* 72330	ELETTRODO DT21 TECNO	

* SI FACCIA RIFERIMENTO AL FOGLIO DELLE OSSERVAZIONI

CODICE **74944, 74945, 74946, 74947, 74948**

DESCRIZIONE: **E-NEXT PH**

4	* 4408041114	FUSIVILE 3A	13	* 72331	ELETTRODO DT30 TECNO
4	* 4408041204	FUSIVILE 4A	13	* 72332	ELETTRODO DT40 TECNO
14	* R-401	SERBATOIO CELLULA	16	60632	SOLUCIONE TAMPONE PH 4,0 50 ML. (ROS)
14	* R-411	SERBATOIO CELLULA BIPOLARE	17	60618	SOLUCIONE TAMPONE PH 7,0 50 M/L. (VER)
15	60648	ELETTRODO COMBINATO PH	18	70054	POMPA PERISTALTICA 1,5-1,5 230V

CODICE **74944, 74945, 74946, 74947, 74948**

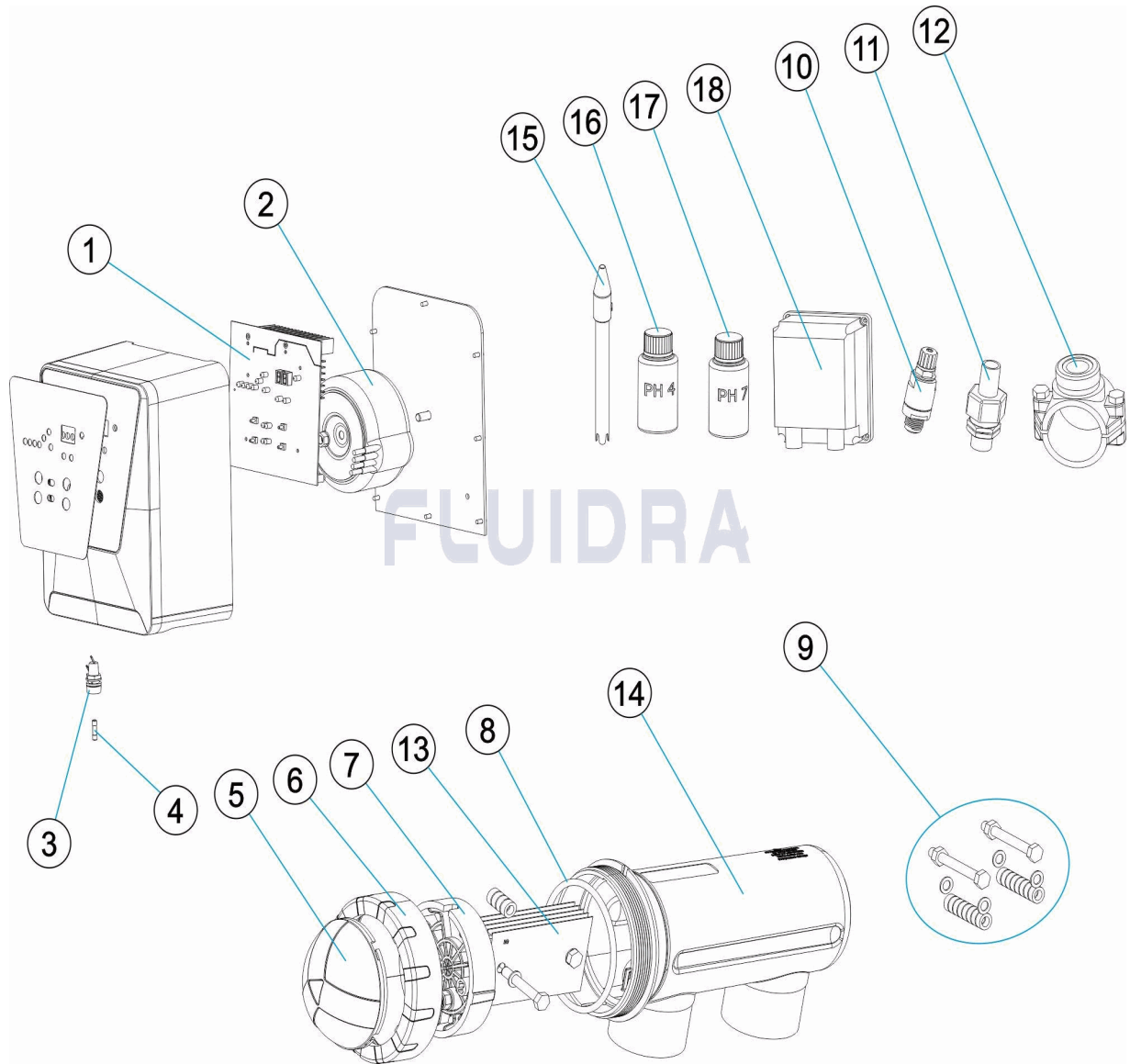
DESCRIZIONE: **E-NEXT PH**

OSSERVAZIONI

POS	CODICE	OSSERVAZIONI
1	* 4408040473	PER: 74944
1	* 4408040446	PER: 74945
1	* 4408040447	PER: 74946
1	* 4408040448	PER: 74947
1	* 4408040472	PER: 74948
2	* 4408040265	PER: 74944
2	* 4408040266	PER: 74945
2	* 4408040267	PER: 74946
2	* 4408040268	PER: 74947
2	* 4408040269	PER: 74948
4	* 4408041112	PER: 74944
4	* 4408041113	PER: 74945, 74946
4	* 4408041114	PER: 74947
4	* 4408041204	PER: 74948
7	* 4408040076	PER: 74944, 74945
7	* 4408040408	PER: 74946
7	* 4408040409	PER: 74947, 74948
9	* 4408040073	PER: 74944, 74945
13	* R-458	PER: 74944
13	* 72329	PER: 74945
13	* 72330	PER: 74946
13	* 72331	PER: 74947
13	* 72332	PER: 74948
14	* R-401	PER: 74944, 74945
14	* R-411	PER: 74946, 74947, 74948

CODE 74944, 74945, 74946, 74947, 74948

BESCHREIBUNG: E-NEXT PH



DEUTSCH

POS	CODE	BESCHREIBUNG	MENGE	POS	CODE	BESCHREIBUNG	MENGE
1	* 440804073	PBA TC LC PH 7GR		5	4408040330	KONTAKTSCHUTZ	
1	* 4408040446	PBA MOD.TC LC PH 12GR		6	4408040329	MUTTER SCHLIESSVORRICHTUNG	
1	* 4408040447	PBA MOD.TC LC PH 21GR		7	* 4408040076	HALTERUNG ELEKTRODE OFFEN TC	
1	* 4408040448	PBA MOD.TC LC PH 30GR		7	* 4408040408	HALTERUNG ELEKTRODE	
1	* 4408040472	PBA TC LC PH 40GR		7	* 4408040409	HALTERUNG ELEKTRODE	
2	* 4408040265	TRAFO 110 VA		8	4408040328	ZELLE DICHTUNG	
2	* 4408040266	TRAFO 190 VA		9	* 4408040073	KIT VERANKERUNG ELEKTRODEN	
2	* 4408040267	TRAFO 230 VA		10	4408040068	INJEKTORVENTIL PH-MINUS 3/8"	
2	* 4408040268	TRAFO 340 VA		11	4408040474	GEWINDESTÜCK SONDENHALTERUNG	
2	* 4408040269	TRAFO 440 VA		12	4408060119	LADESCHELLE 50	
3	4408040523	SICHERUNGSSITZ 5 X 20 RAHMEN		13	* R-458	ELEKTRODE DT7 TECNO	
4	* 4408041112	SICHERUNG 1 A		13	* 72329	ELEKTRODE DT12 TECNO	
4	* 4408041113	SICHERUNG 2 A		13	* 72330	ELEKTRODE DT21 TECNO	

* SIEHE ANMERKUGSBLATT

CODE **74944, 74945, 74946, 74947, 74948**

BESCHREIBUNG: **E-NEXT PH**

4	* 4408041114	SICHERUNG 3 A	13	* 72331	ELEKTRODE DT30 TECNO
4	* 4408041204	SICHERUNG 4 A	13	* 72332	ELEKTRODE DT40 TECNO
14	* R-401	GEHÄUSE ZELLE	16	60632	PUFFER PH 4,0 50 ML (ROT)
14	* R-411	GEHÄUSE BIPOLAR ZELLE	17	60618	PUFFER PH 7,0 50 M/L (GRÜN)
15	60648	ELEKTRODE KOMBINIERT PH	18	70054	PERISTALTIKpumpe P1,5-1,5 230V

CODE **74944, 74945, 74946, 74947, 74948**

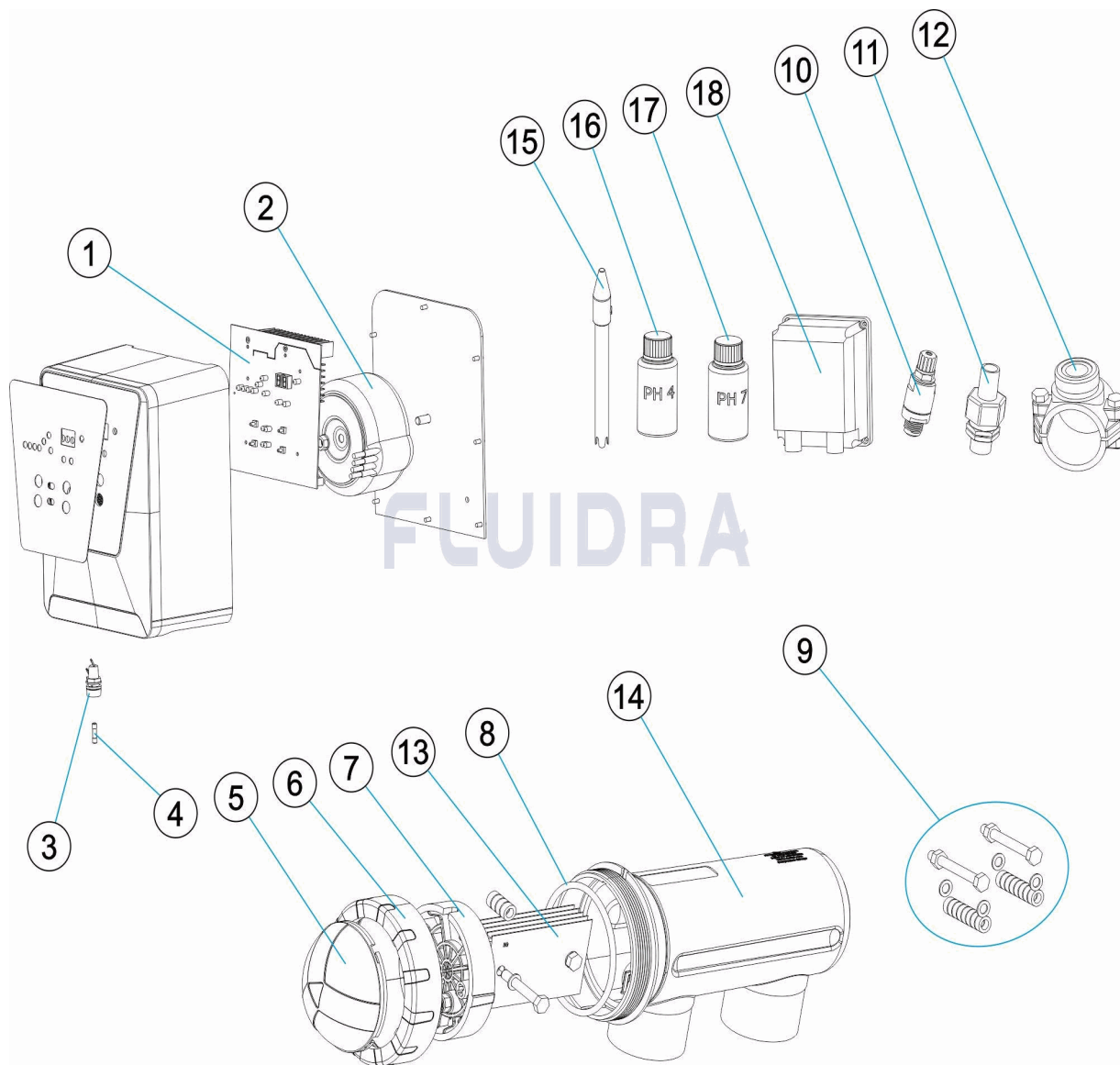
BESCHREIBUNG: **E-NEXT PH**

HINWEISE

POS	CODE	HINWEISE
1	* 4408040473	FÜR: 74944
1	* 4408040446	FÜR: 74945
1	* 4408040447	FÜR: 74946
1	* 4408040448	FÜR: 74947
1	* 4408040472	FÜR: 74948
2	* 4408040265	FÜR: 74944
2	* 4408040266	FÜR: 74945
2	* 4408040267	FÜR: 74946
2	* 4408040268	FÜR: 74947
2	* 4408040269	FÜR: 74948
4	* 4408041112	FÜR: 74944
4	* 4408041113	FÜR: 74945, 74946
4	* 4408041114	FÜR: 74947
4	* 4408041204	FÜR: 74948
7	* 4408040076	FÜR: 74944, 74945
7	* 4408040408	FÜR: 74946
7	* 4408040409	FÜR: 74947, 74948
9	* 4408040073	FÜR: 74944, 74945
13	* R-458	FÜR: 74944
13	* 72329	FÜR: 74945
13	* 72330	FÜR: 74946
13	* 72331	FÜR: 74947
13	* 72332	FÜR: 74948
14	* R-401	FÜR: 74944, 74945
14	* R-411	FÜR: 74946, 74947, 74948

CODIGO **74944, 74945, 74946, 74947, 74948**

DESCRIÇÃO: **E-NEXT PH**



PORTUGUES

POS	CODIGO	DESCRIÇÃO	JANTIDADE	POS	CODIGO	DESCRIÇÃO	JANTIDADE
1	* 440804073	PBA TC LC PH 7GR		5	4408040330	PROTECTOR CONTACTOS	
1	* 4408040446	PBA MOD.TC LC PH 12GR		6	4408040329	PORCA FECHO	
1	* 4408040447	PBA MOD.TC LC PH 21GR		7	* 4408040076	ELETRODOS DE REPOSIÇÃO APOIO ABER'	
1	* 4408040448	PBA MOD.TC LC PH 30GR		7	* 4408040408	ELETRODOS APOIO	
1	* 4408040472	PBA TC LC PH 40GR		7	* 4408040409	ELETRODOS APOIO	
2	* 4408040265	TRANSFORMADOR POTÊNCIA 110VA		8	4408040328	JUNTA CÉLULA	
2	* 4408040266	TRANSFORMADOR POTÊNCIA 190VA		9	* 4408040073	KIT ÂNCORA ELETRODOS KIT	
2	* 4408040267	TRANSFORMADOR POTÊNCIA 230VA		10	4408040068	VALVOLA INJEÇÃO PH-MINUS 3/8"	
2	* 4408040268	TRANSFORMADOR POTÊNCIA 340VA		11	4408040474	RACORD PORTA-SONDAS	
2	* 4408040269	TRANSFORMADOR POTÊNCIA 440VA		12	4408060119	TOMADA EM CARGA D. 50	
3	4408040523	PORTAFUSIVEIS 5X20 CHASIS		13	* R-458	ELECTRODO DT7 TECNO	
4	* 4408041112	FUSÍVEL 1A		13	* 72329	ELECTRODO DT12 TECNO	
4	* 4408041113	FUSÍVEL 2A		13	* 72330	ELECTRODO DT21 TECNO	

*** VEJA A FICHA DE OBSERVAÇÕES**

CODIGO **74944, 74945, 74946, 74947, 74948**

DESCRIÇÃO: **E-NEXT PH**

4	* 4408041114	FUSÍVEL 3A	13	* 72331	ELECTRODO DT30 TECNO
4	* 4408041204	FUSÍVEL 4A	13	* 72332	ELECTRODO DT40 TECNO
14	* R-401	TANQUE CÉLULA	16	60632	SOLUÇÃO TAMPÃO PH 4,0 50 ML. (VERMEL)
14	* R-411	TANQUE CÉLULA BIPOLAR	17	60618	SOLUÇÃO TAMPÃO PH 7,0 50 M/L. (VERDE)
15	60648	ELECTRODO COMBINADO PH	18	70054	BOMBA PERISTÁLTICA 1,5-1,5 230V

CODIGO **74944, 74945, 74946, 74947, 74948**

DESCRIÇÃO: E-NEXT PH

OBSERVAÇÕES

POS	CODIGO	OBSERVAÇÕES
1	* 4408040473	PARA: 74944
1	* 4408040446	PARA: 74945
1	* 4408040447	PARA: 74946
1	* 4408040448	PARA: 74947
1	* 4408040472	PARA: 74948
2	* 4408040265	PARA: 74944
2	* 4408040266	PARA: 74945
2	* 4408040267	PARA: 74946
2	* 4408040268	PARA: 74947
2	* 4408040269	PARA: 74948
4	* 4408041112	PARA: 74944
4	* 4408041113	PARA: 74945, 74946
4	* 4408041114	PARA: 74947
4	* 4408041204	PARA: 74948
7	* 4408040076	PARA: 74944, 74945
7	* 4408040408	PARA: 74946
7	* 4408040409	PARA: 74947, 74948
9	* 4408040073	PARA: 74944, 74945
13	* R-458	PARA: 74944
13	* 72329	PARA: 74945
13	* 72330	PARA: 74946
13	* 72331	PARA: 74947
13	* 72332	PARA: 74948
14	* R-401	PARA: 74944, 74945
14	* R-411	PARA: 74946, 74947, 74948