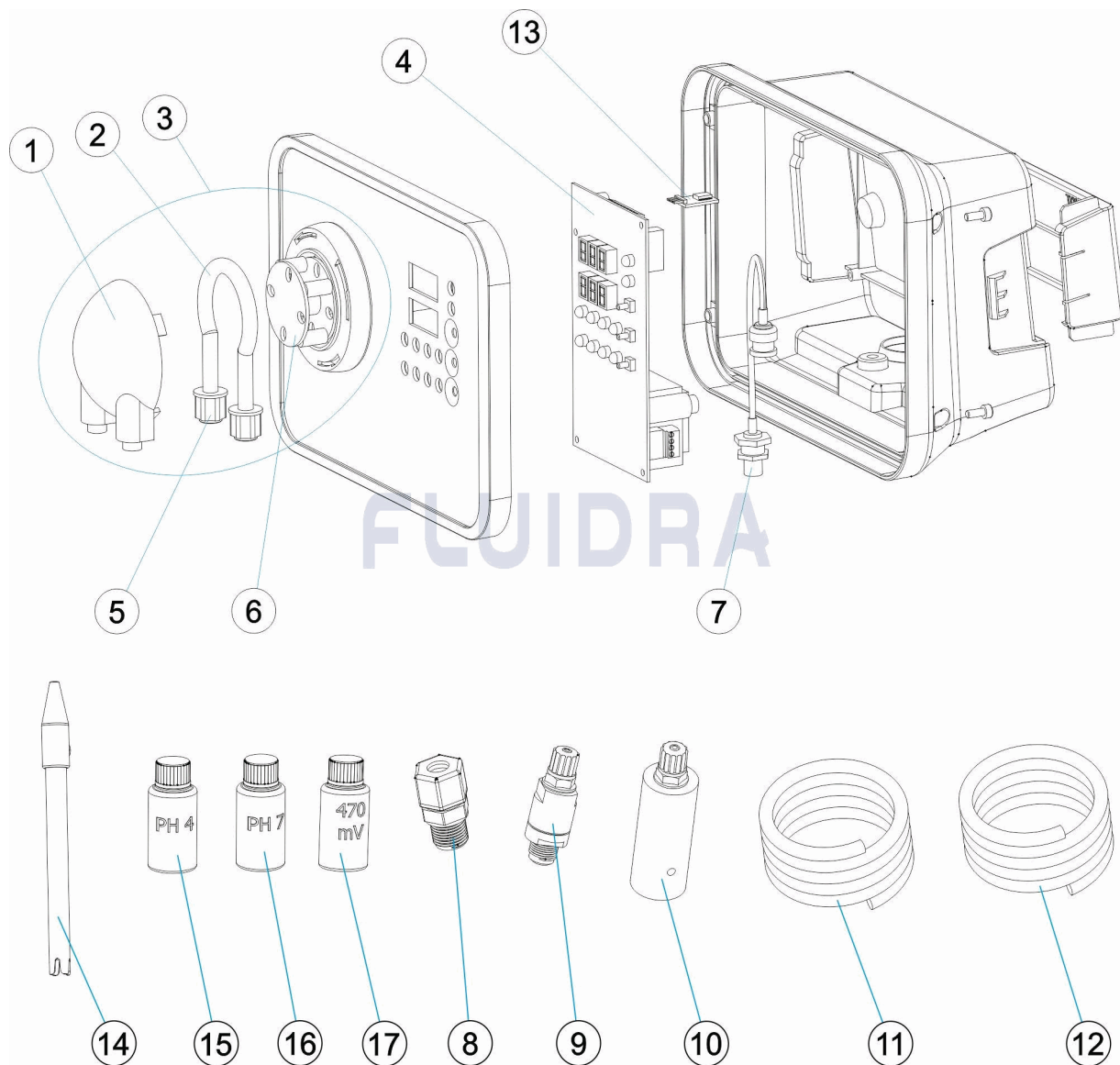


CODIGO **73485, 73487, 73489, 73494**

DESCRIPCION: **REGULADOR AP PH/ORP CON BOMBA**



ESPAÑOL

POS	CODIGO	DESCRIPCION	CANTIDAD	POS	CODIGO	DESCRIPCION	CANTIDAD
1	* 4408040475	TAPA FRONTAL BOMBA		9	4408040068	VALVULA INYECCION PH-MINUS 3/8"	
1	* 4408040476	TAPA FRONTAL BOMBA		10	4408030089	FILTRO ASPIRACION	
2	4408040375	TUBO PERISTALTICO NORPRENE WE		11	4408032905	TUBO ASPIRACION 4X6 PVC L=2M	
3	* 4408040377	CABEZAL AZUL 2 L/H 1 BAR		12	4408032906	TUBO IMPULSION 4X6 PE L=2M	
3	* 4408040378	CABEZAL ROJO 2 L/H 1 BAR		13	* 73490	KIT MODBUS	
4	* 4408040154	PLACA CONTROL PH		14	* 60648	ELECTRODO COMBINADO PH	
4	* 4408040153	PLACA CONTROL ORP		14	* 60649	ELECTRODO ORP	
5	4408030093	RACORD TUBO PERISTALTICO		15	* 60632	TAMPON PH 4,0 50 ML. (ROJO)	
6	4408030096	PORTA-RODILLOS		16	* 60618	TAMPON PH 7,0 50 M/L. (VERDE)	
7	4408070069	CONECTOR BNC		17	* 60633	SOLUCION CALIBRACION 470MV.	
8	4408040604	PORTAELECTRODOS PE 12M/M-1/2"					

CODIGO 73485, 73487, 73489, 73494

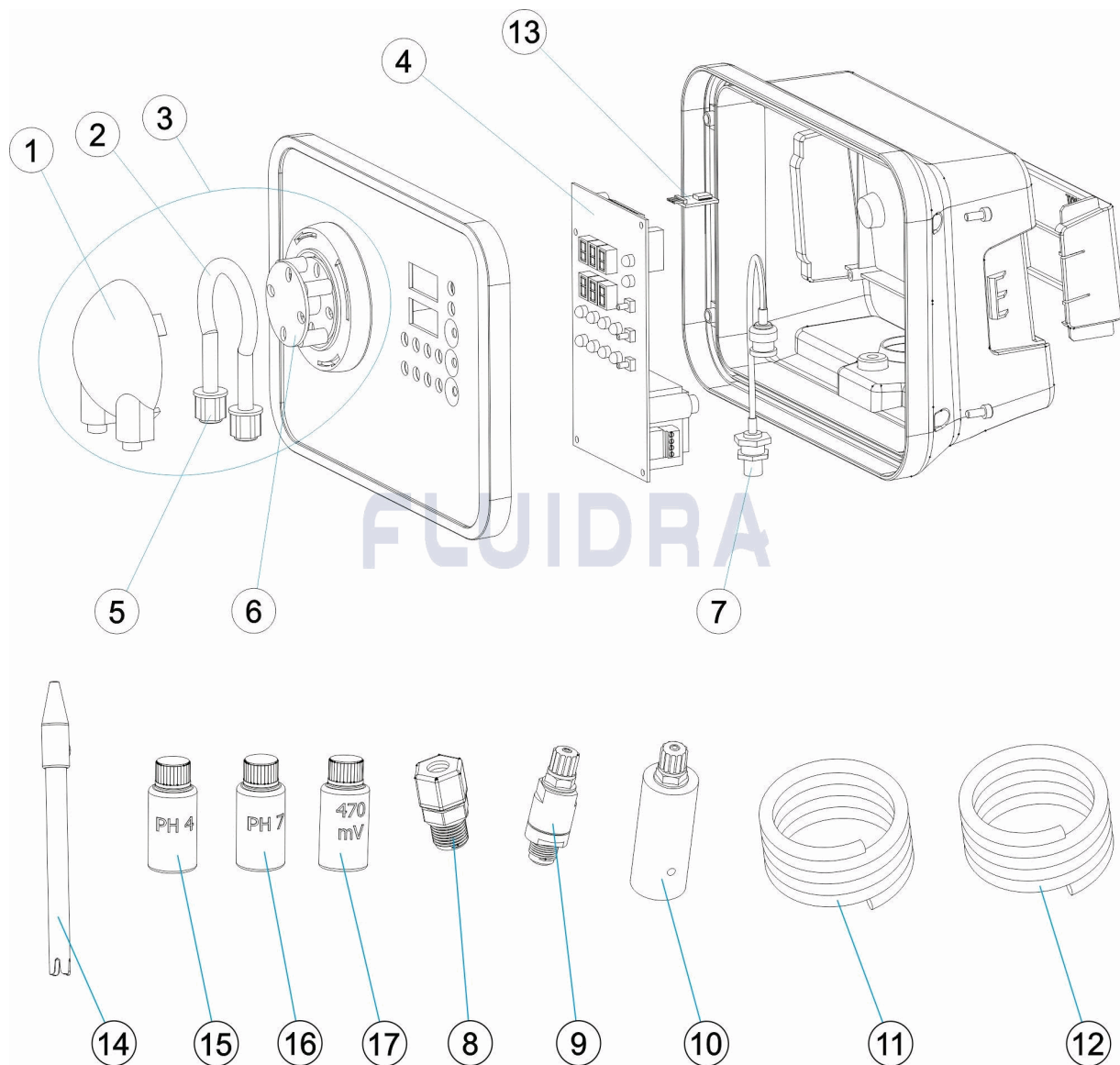
DESCRIPCION: REGULADOR AP PH/ORP CON BOMBA

OBSERVACIONES

POS	CODIGO	OBSERVACIONES
1	* 4408040475	PARA: 73485, 73494
1	* 4408040476	PARA: 73487, 73489
3	* 4408040377	PARA: 73485, 73494
3	* 4408040378	PARA: 73487, 73489
4	* 4408040154	PARA: 73485, 73494
4	* 4408040153	PARA: 73487, 73489
13	* 73490	PARA: 73485, 73489
14	* 60648	PARA: 73485, 73494
14	* 60649	PARA: 73487, 73489
15	* 60632	PARA: 73485, 73494
16	* 60618	PARA: 73485, 73494
17	* 60633	PARA: 73487, 73489

CODE 73485, 73487, 73489, 73494

DESCRIPTION: RÉGULADOR AP PH/ORP AVEC POMPE



FRANCAIS

POS	CODE	DESCRIPTION	QUANTITE	POS	CODE	DESCRIPTION	QUANTITE
1	* 4408040475	COUVERCLE AVANT DE LA POMPE		9	4408040068	VANNE INJECTION PH-MINUS 3/8"	
1	* 4408040476	COUVERCLE AVANT DE LA POMPE		10	4408030089	FILTRE ASPIRATION	
2	4408040375	TUBE NORPRENE WE		11	4408032905	TUBE ASPIRATION 4X6 PVC L=2M	
3	* 4408040377	TÊTE BLEUE 2 L/H 1 BAR		12	4408032906	TUBE IMPULSION 4X6 PE L=2M	
3	* 4408040378	TÊTE ROUGE 2 L/H 1 BAR		13	* 73490	KIT MODBUS	
4	* 4408040154	PLAQUE CONTRÔLE PH		14	* 60648	ELECTRODE COMBINÉE PH	
4	* 4408040153	PLAQUE CONTRÔLE ORP		14	* 60649	ELECTRODE ORP	
5	4408030093	RACCORD TUBE PERISTALTIQUE		15	* 60632	TAMPON PH 4,0 50 ML. (ROUGE)	
6	4408030096	SUPPORT GALETS		16	* 60618	TAMPON PH 7,0 50 M/L. (VERT)	
7	4408070069	CONNECTEUR BNC		17	* 60633	SOLUTION CALIBRAGE 470 MV	
8	4408040604	PORTE-ÉLECTRODE PE 12M/M. 1/2"					

CODE **73485, 73487, 73489, 73494**

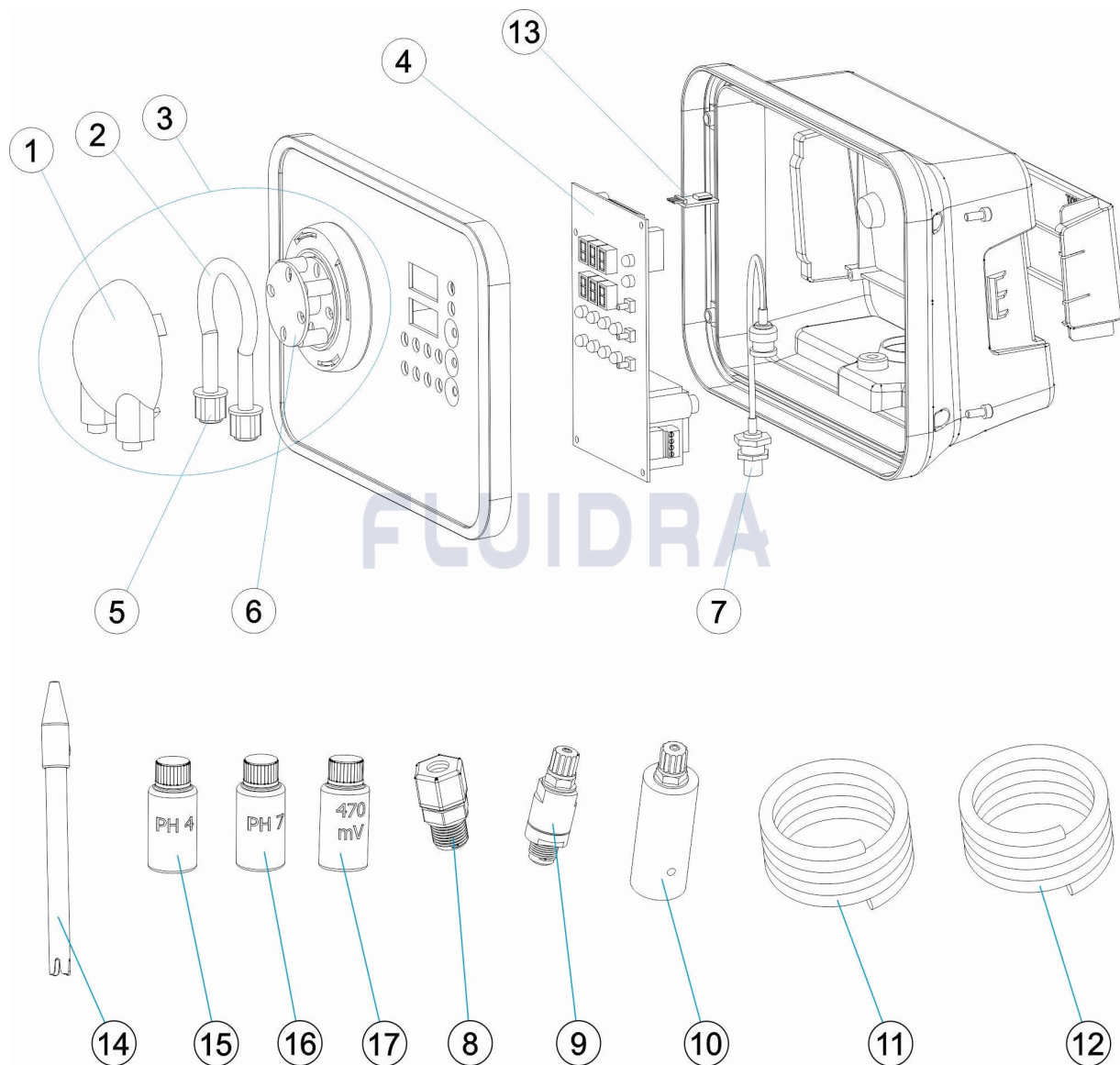
DESCRIPTION: **RÉGULADOR AP PH/ORP AVEC POMPE**

OBSERVATIONS

POS	CODE	OBSERVATIONS
1	* 4408040475	POUR: 73485, 73494
1	* 4408040476	POUR: 73487, 73489
3	* 4408040377	POUR: 73485, 73494
3	* 4408040378	POUR: 73487, 73489
4	* 4408040154	POUR: 73485, 73494
4	* 4408040153	POUR: 73487, 73489
13	* 73490	POUR: 73485, 73489
14	* 60648	POUR: 73485, 73494
14	* 60649	POUR: 73487, 73489
15	* 60632	POUR: 73485, 73494
16	* 60618	POUR: 73485, 73494
17	* 60633	POUR: 73487, 73489

CODE **73485, 73487, 73489, 73494**

DESCRIPTION: **AP PH/ORP REGULATOR WHIT PUMP**



ENGLISH

POS	CODE	DESCRIPTION	QUANTITY	POS	CODE	DESCRIPTION	QUANTITY
1	* 4408040475	PUMP FRONT COVER		9	4408040068	PH-MINUS INJECTION VALVE 3/8"	
1	* 4408040476	PUMP FRONT COVER		10	4408030089	FILTER ASSEMBLY	
2	4408040375	NORPRENE TUBE WE		11	4408032905	SUCTION TUBE 4X6 PVC L=2M	
3	* 4408040377	2 L/H 1 BAR BLUE HEAD		12	4408032906	RETURN TUBE 4X6 PE L=2M	
3	* 4408040378	2 L/H 1 BAR RED HEAD		13	* 73490	KIT MODBUS	
4	* 4408040154	ELECTRONIC CARD PH		14	* 60648	ELECTRODE PH	
4	* 4408040153	ELECTRONIC CARD ORP		14	* 60649	ORP ELECTRODE	
5	4408030093	PERISTALTIC TUBE RACORD		15	* 60632	CALIBRATION SOLUTION PH 4,0 50 ML. (RE	
6	4408030096	ROLLER HOLDER		16	* 60618	CALIBRATION SOLUTION PH 7,0 50 M/L. (GF	
7	4408070069	BNC CONNECTOR		17	* 60633	CALIBRATION SOLUTION ORP 470 MV	
8	4408040604	ELECTRODE CARRIER PE 12M/M.-1/2"					

CODE **73485, 73487, 73489, 73494**

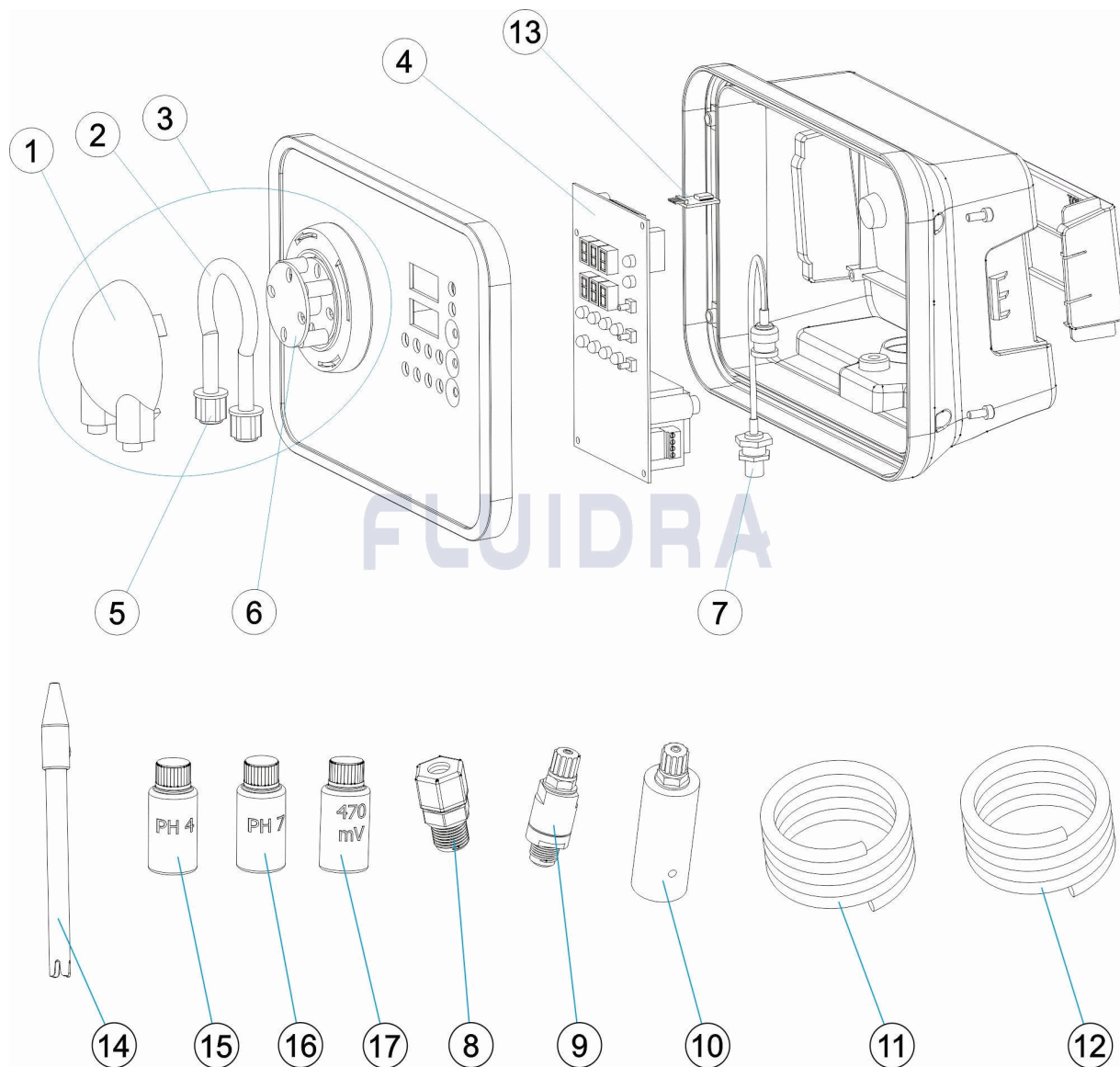
DESCRIPTION: **AP PH/ORP REGULATOR WHIT PUMP**

OBSERVATIONS

POS	CODE	OBSERVATIONS
1	* 4408040475	FOR: 73485, 73494
1	* 4408040476	FOR: 73487, 73489
3	* 4408040377	FOR: 73485, 73494
3	* 4408040378	FOR: 73487, 73489
4	* 4408040154	FOR: 73485, 73494
4	* 4408040153	FOR: 73487, 73489
13	* 73490	FOR: 73485, 73489
14	* 60648	FOR: 73485, 73494
14	* 60649	FOR: 73487, 73489
15	* 60632	FOR: 73485, 73494
16	* 60618	FOR: 73485, 73494
17	* 60633	FOR: 73487, 73489

CODICE 73485, 73487, 73489, 73494

DESCRIZIONE: REGOLATORE AP PH/ORP CON POMPA



ITALIANO

POS	CODICE	DESCRIZIONE	QUANTITA'	POS	CODICE	DESCRIZIONE	QUANTITA'
1	* 4408040475	COPERCHIO ANTERIORE POMPA		9	4408040068	VALVOLA INIEZIONE PH-MINUS 3/8"	
1	* 4408040476	COPERCHIO ANTERIORE POMPA		10	4408030089	FILTRO ASPIRAZIONE	
2	4408040375	TUBO NORPRENE WE		11	4408032905	TUBO DI ASPIRAZIONE 4X6 PVC L=2M	
3	* 4408040377	TESTA AZZURRO 2 L/H 1 BAR		12	4408032906	TUBO DI MANDATA 4X6 PE L=2M	
3	* 4408040378	TESTA ROSSO 2 L/H 1 BAR		13	* 73490	KIT MODBUS	
4	* 4408040154	SCHEDA PH		14	* 60648	ELETTRODO COMBINATO PH	
4	* 4408040153	SCHEDA ORP		14	* 60649	ELETTRODO RX	
5	4408030093	RACCORDO TUBO PERISTALTICO		15	* 60632	SOLUZIONE TAMPONE PH 4,0 50 ML. (ROS)	
6	4408030096	PORTA RULLO		16	* 60618	SOLUZIONE TAMPONE PH 7,0 50 M/L. (VER)	
7	4408070069	CONNETTORE BNC		17	* 60633	SOLUZIONE CALIBRAZIONE 470MV.	
8	4408040604	PORTAELETTODO PE 12M/M. X 1/2"					

CODICE **73485, 73487, 73489, 73494**

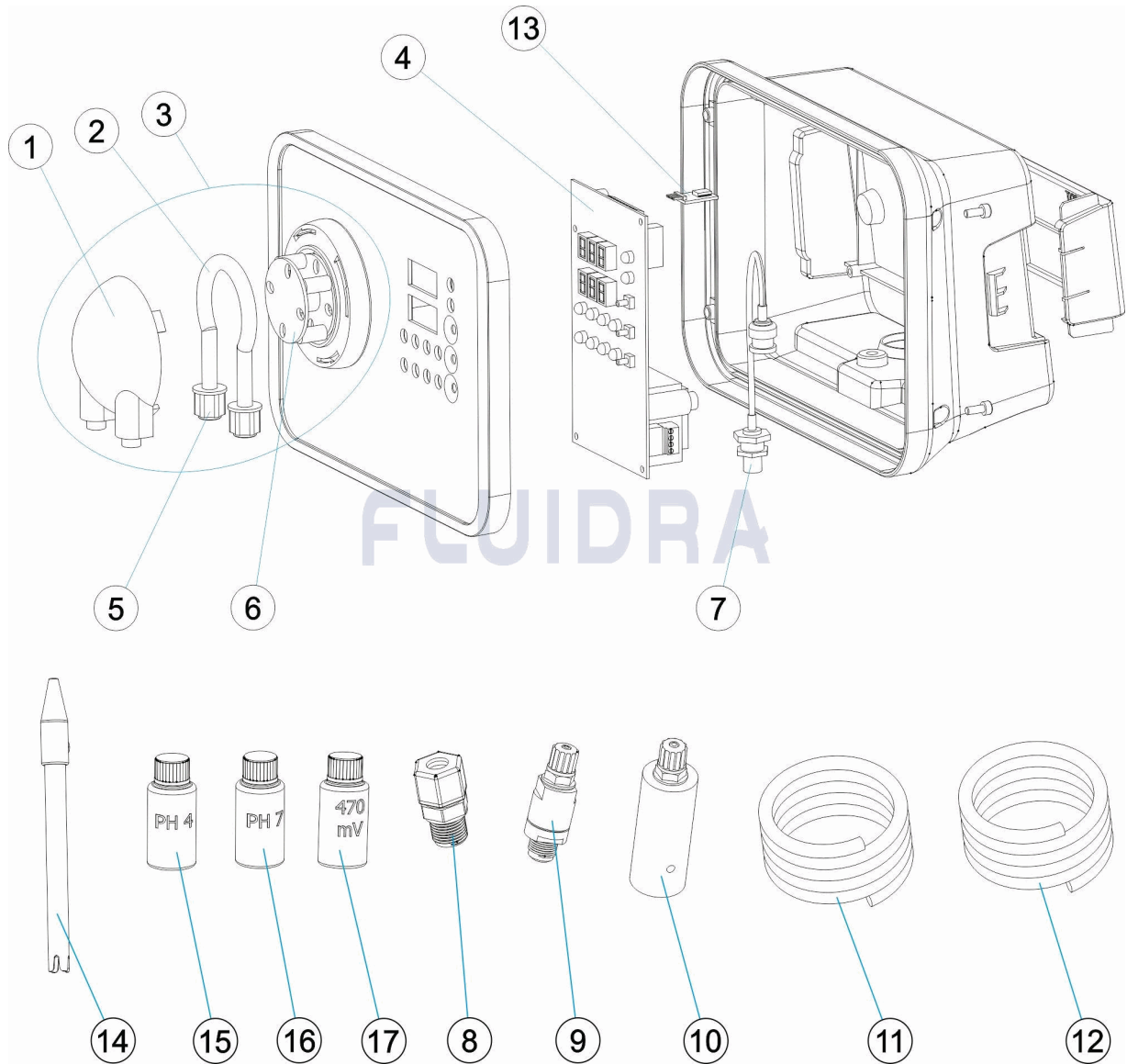
DESCRIZIONE: REGOLATORE AP PH/ORP CON POMPA

OSSERVAZIONI

POS	CODICE	OSSERVAZIONI
1	* 4408040475	PER: 73485, 73494
1	* 4408040476	PER: 73487, 73489
3	* 4408040377	PER: 73485, 73494
3	* 4408040378	PER: 73487, 73489
4	* 4408040154	PER: 73485, 73494
4	* 4408040153	PER: 73487, 73489
13	* 73490	PER: 73485, 73489
14	* 60648	PER: 73485, 73494
14	* 60649	PER: 73487, 73489
15	* 60632	PER: 73485, 73494
16	* 60618	PER: 73485, 73494
17	* 60633	PER: 73487, 73489

CODE 73485, 73487, 73489, 73494

BESCHREIBUNG: REGLER AP PH/ORP MIT PUMPU



DEUTSCH

POS	CODE	BESCHREIBUNG	MENGE	POS	CODE	BESCHREIBUNG	MENGE
1	* 4408040475	PUMPE FRONTABDECKUNG		9	4408040068	INJEKTORVENTIL PH-MINUS 3/8"	
1	* 4408040476	PUMPE FRONTABDECKUNG		10	4408030089	SAUGFILTER	
2	4408040375	NORPRENE PERESTALTIKROHR WE		11	4408032905	ROHR SAUG 4X6 PVC L=2M	
3	* 4408040377	KOPFSTÜCK BLAU 2 L/H 1 BAR		12	4408032906	ROHR DRUCK 4X6 PE L=2M	
3	* 4408040378	KOPFSTÜCK ROTE 2 L/H 1 BAR		13	* 73490	KIT MODBUS	
4	* 4408040154	PH-KONTROLLPLATTE		14	* 60648	ELEKTRODE KOMBINIERT PH	
4	* 4408040153	ORP-KONTROLLPLATTE		14	* 60649	ORP-ELEKTRODE	
5	4408030093	GEWINDESTÜCK PERESTALTIKROHR		15	* 60632	PUFFER PH 4,0 50 ML (ROT)	
6	4408030096	ROLLENTRÄGER		16	* 60618	PUFFER PH 7,0 50 M/L (GRÜN)	
7	4408070069	STECKKUPPLUNG BNC		17	* 60633	KALIBRIERLÖSUNG 47 0MV	
8	4408040604	ELEKTRODENSITZ PE 12 MM-1/2"					

CODE **73485, 73487, 73489, 73494**

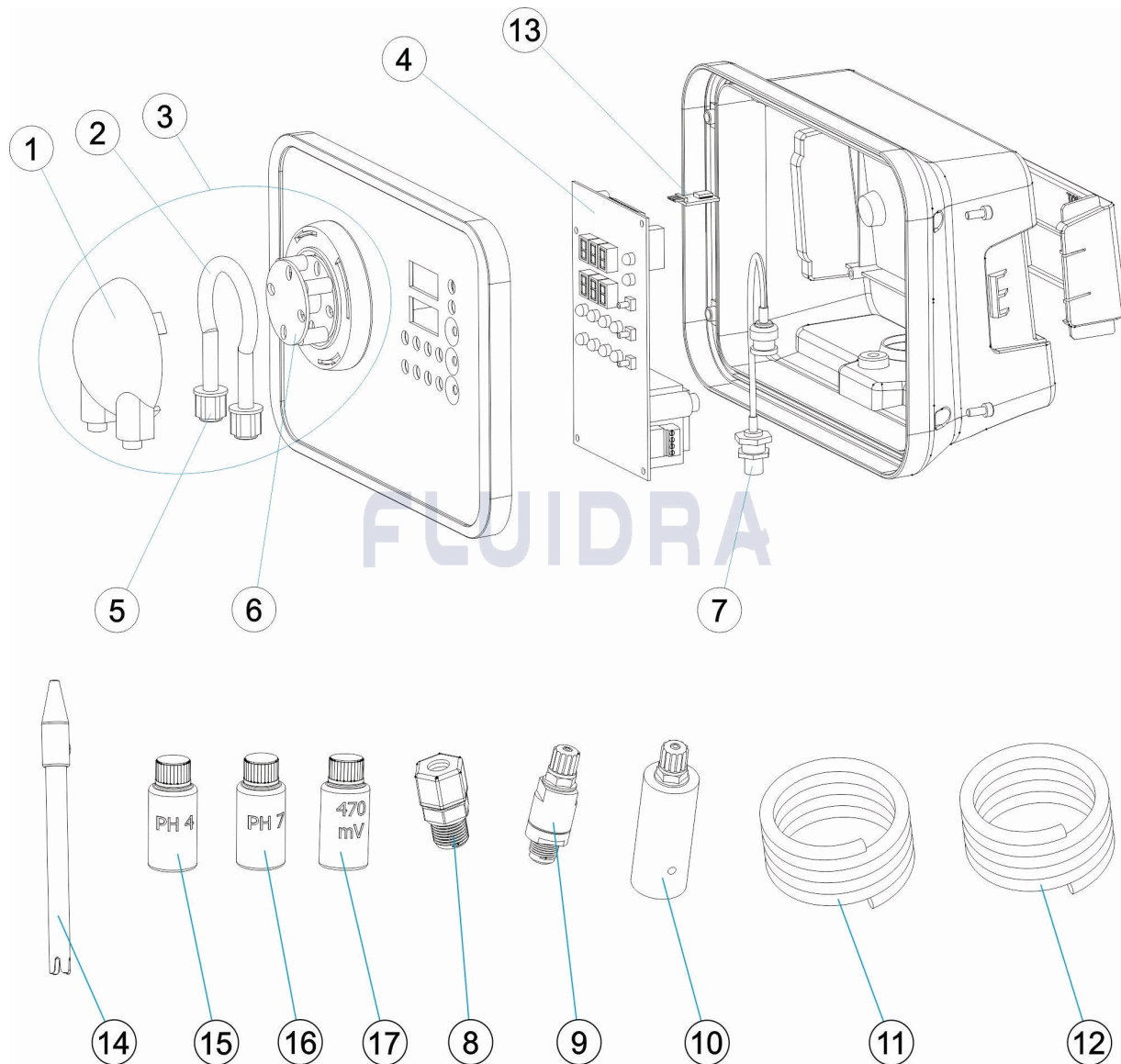
BESCHREIBUNG: **REGLER AP PH/ORP MIT PUMPU**

HINWEISE

POS	CODE	HINWEISE
1	* 4408040475	FÜR: 73485, 73494
1	* 4408040476	FÜR: 73487, 73489
3	* 4408040377	FÜR: 73485, 73494
3	* 4408040378	FÜR: 73487, 73489
4	* 4408040154	FÜR: 73485, 73494
4	* 4408040153	FÜR: 73487, 73489
13	* 73490	FÜR: 73485, 73489
14	* 60648	FÜR: 73485, 73494
14	* 60649	FÜR: 73487, 73489
15	* 60632	FÜR: 73485, 73494
16	* 60618	FÜR: 73485, 73494
17	* 60633	FÜR: 73487, 73489

CODIGO 73485, 73487, 73489, 73494

DESCRICAÇÃO: REGULADOR AP PH/ORP COM BOMBA



PORTUGUES

POS	CODIGO	DESCRICAÇÃO	JANTIDADE	POS	CODIGO	DESCRICAÇÃO	JANTIDADE
1	* 4408040475	TAMPA DIANTEIRA DA BOMBA		9	4408040068	VALVOLA INJEÇÃO PH-MINUS 3/8"	
1	* 4408040476	TAMPA DIANTEIRA DA BOMBA		10	4408030089	FILTRO ASPIRAÇÃO	
2	4408040375	TUBO DE NORPRENE WE		11	4408032905	TUBO ASPIRAÇÃO 4X6 PVC L=2M	
3	* 4408040377	CABEÇA AZUL 2 L/H 1 BAR		12	4408032906	TUBO IMPULSAÇÃO 4X6 PE L=2M	
3	* 4408040378	CABEÇA VERMELHO 2 L/H 1 BAR		13	* 73490	KIT MODBUS	
4	* 4408040154	PLACA CONTROLO PH		14	* 60648	ELECTRODO COMBINADO PH	
4	* 4408040153	PLACA CONTROLO ORP		14	* 60649	ELECTRODO ORP	
5	4408030093	ACOPLAMENTO TUBO PERISTALTICO		15	* 60632	SOLUÇÃO TAMPÃO PH 4,0 50 ML. (VERMEL)	
6	4408030096	PORTA-RODÍZIOS		16	* 60618	SOLUÇÃO TAMPÃO PH 7,0 50 M/L. (VERDE)	
7	4408070069	LIGAÇÃO BNC		17	* 60633	SOLUÇÃO TAMPÃO 470 MV	
8	4408040604	PORTAELECTRODOS PE 12M/M-1/2"					

CODIGO 73485, 73487, 73489, 73494

DESCRIÇÃO: REGULADOR AP PH/ORP COM BOMBA

OBSERVAÇÕES

POS	CODIGO	OBSERVAÇÕES
1	* 4408040475	PARA: 73485, 73494
1	* 4408040476	PARA: 73487, 73489
3	* 4408040377	PARA: 73485, 73494
3	* 4408040378	PARA: 73487, 73489
4	* 4408040154	PARA: 73485, 73494
4	* 4408040153	PARA: 73487, 73489
13	* 73490	PARA: 73485, 73489
14	* 60648	PARA: 73485, 73494
14	* 60649	PARA: 73487, 73489
15	* 60632	PARA: 73485, 73494
16	* 60618	PARA: 73485, 73494
17	* 60633	PARA: 73487, 73489