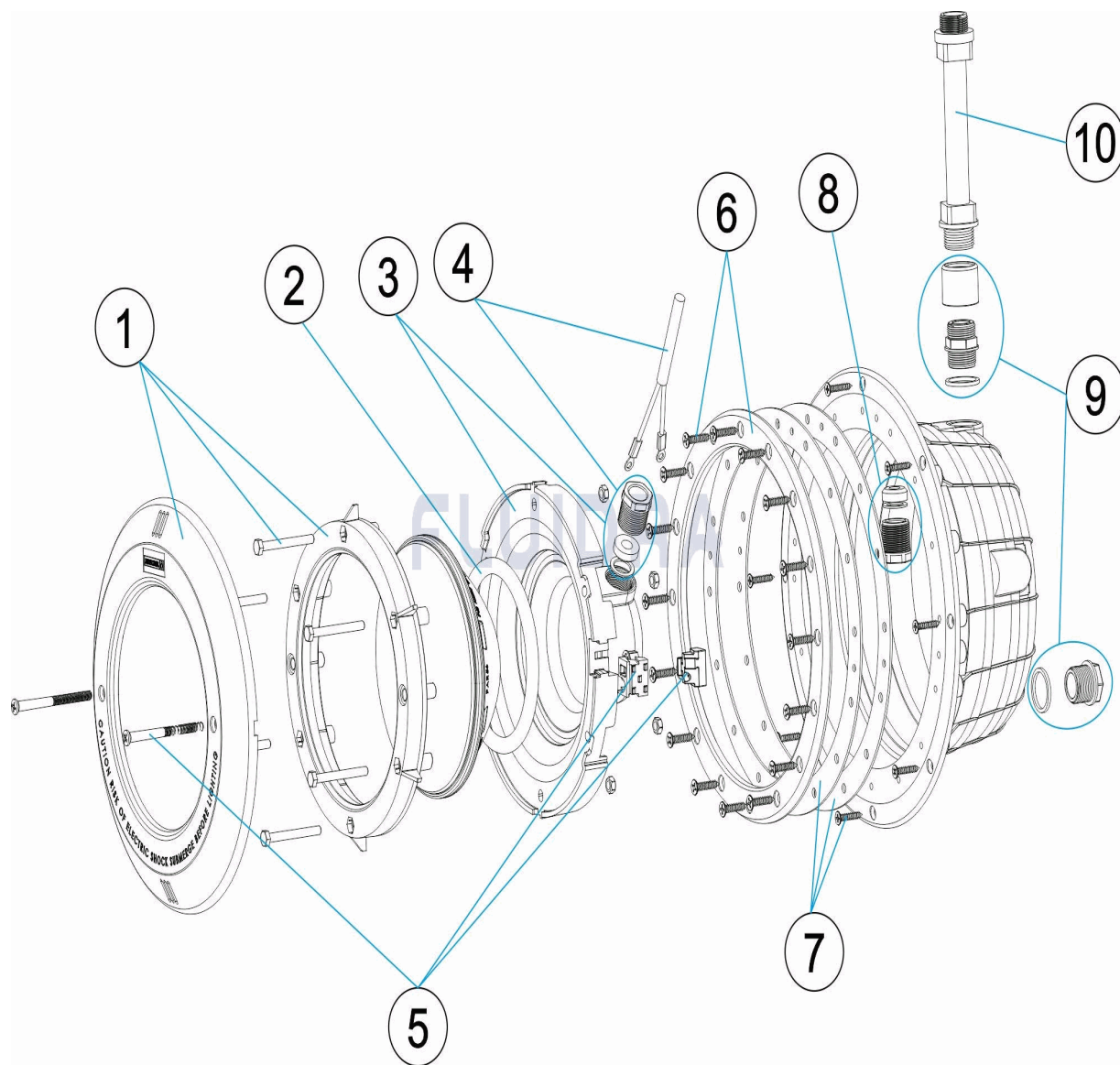


CODIGO **56255**

DESCRIPCION: **PROYECTOR GLOBAL PISC. PANELES**

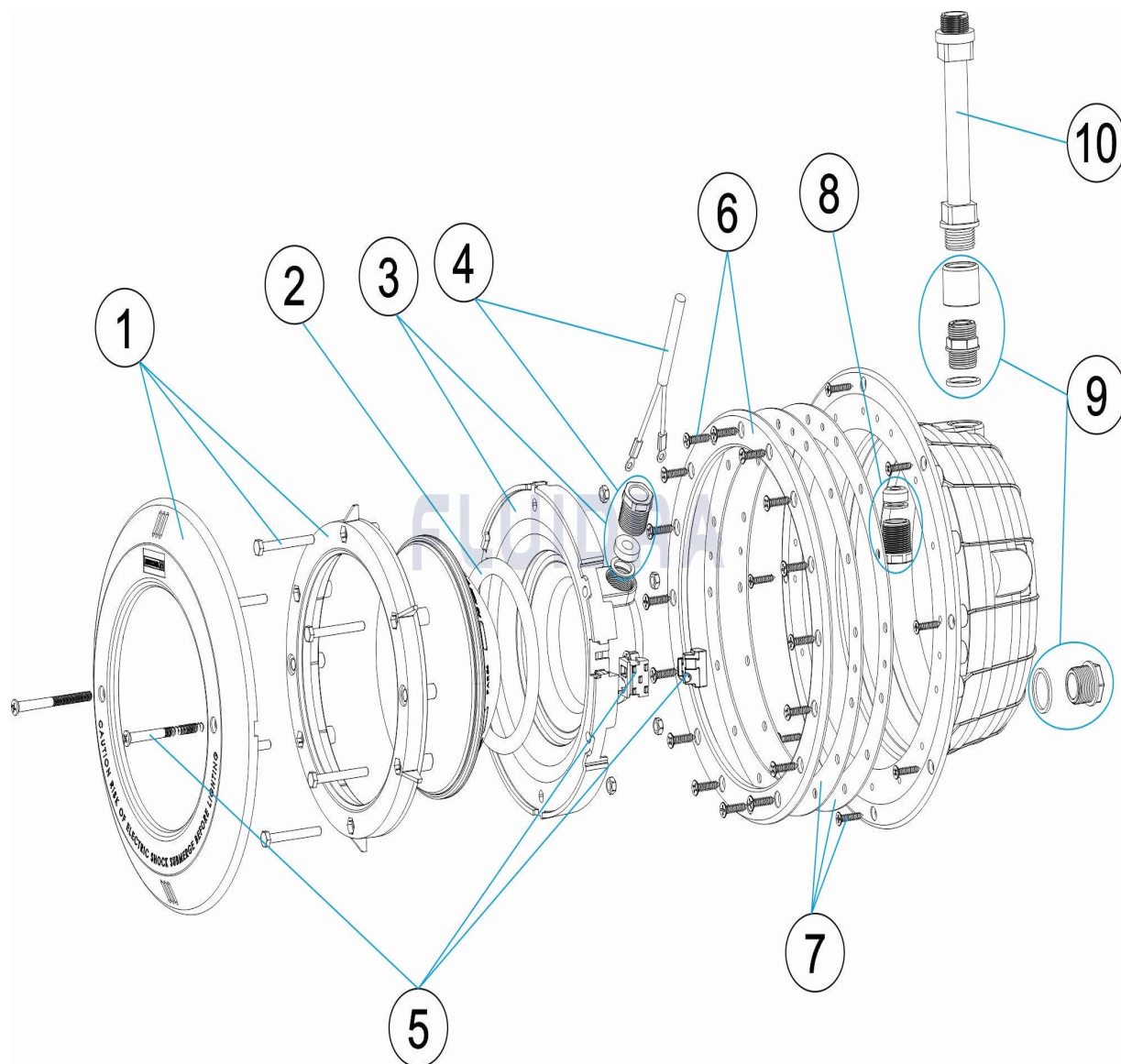


**ESPAÑOL**

POS	CODIGO	DESCRIPCION	CANTIDAD	POS	CODIGO	DESCRIPCION	CANTIDAD
1	4403010302	ARO BLANCO PROYECTOR		6	4403013506	BRIDA FIJACION PROYECTOR (PARKER)	
2	4403010304	JUNTA TORICA PROYECTOR		7	4403010402	JUNTA ADHESIVA ANCHA PROYECTOR STC	
3	4403010228	FONDO PROYECTOR		8	4403014001	PRENSAESTOPAS FOCO PROYECTOR LED	
4	4403014003	CABLE PROYECTOR LEDS		9	4403010313	PRENSAESTOPAS CUERPO PROYECTOR I	
5	4403010002	FIJACION FOCO PROYECTOR GLOBAL		10	4403010059	MANGUERA PASACABLES M-25 3/4"	

CODE 56255

DESCRIPTION: GLOBAL PROJECTEUR

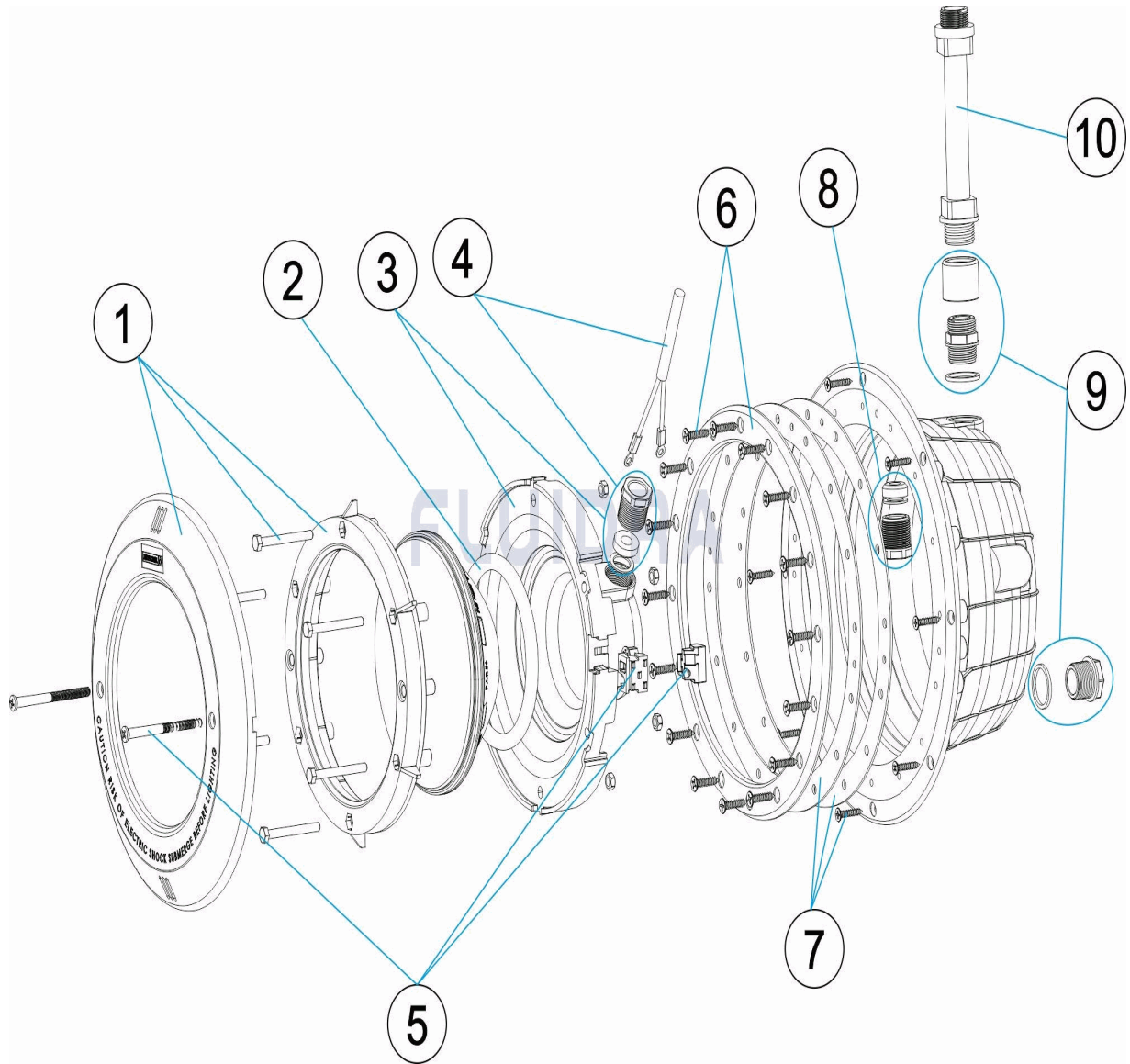


FRANCAIS

POS	CODE	DESCRIPTION	QUANTITE	POS	CODE	DESCRIPTION	QUANTITE
1	4403010302	ENJOLIVEUR BLANC DE PROJECTEUR		6	4403013506	BRIDE FIXATION PROJECTEUR (PARKER)	
2	4403010304	JOINT TORIQUE PROJECTEUR		7	4403010402	JOINT ADHESIF	
3	4403010228	NICHE DE LAMPE		8	4403014001	PRESSE ETOUPE FOND PROJECTEUR LEC	
4	4403014003	CABLE PROJECTOUR LEDS		9	4403010313	CORPS PRESSE ETOUPE M-25	
5	4403010002	PLATINE FIXATION GLOBAL		10	4403010059	TUYAU ANNEAU M-25	

CODE **56255**

DESCRIPTION: **GLOBAL PROJECTOR FOR P.POOL**

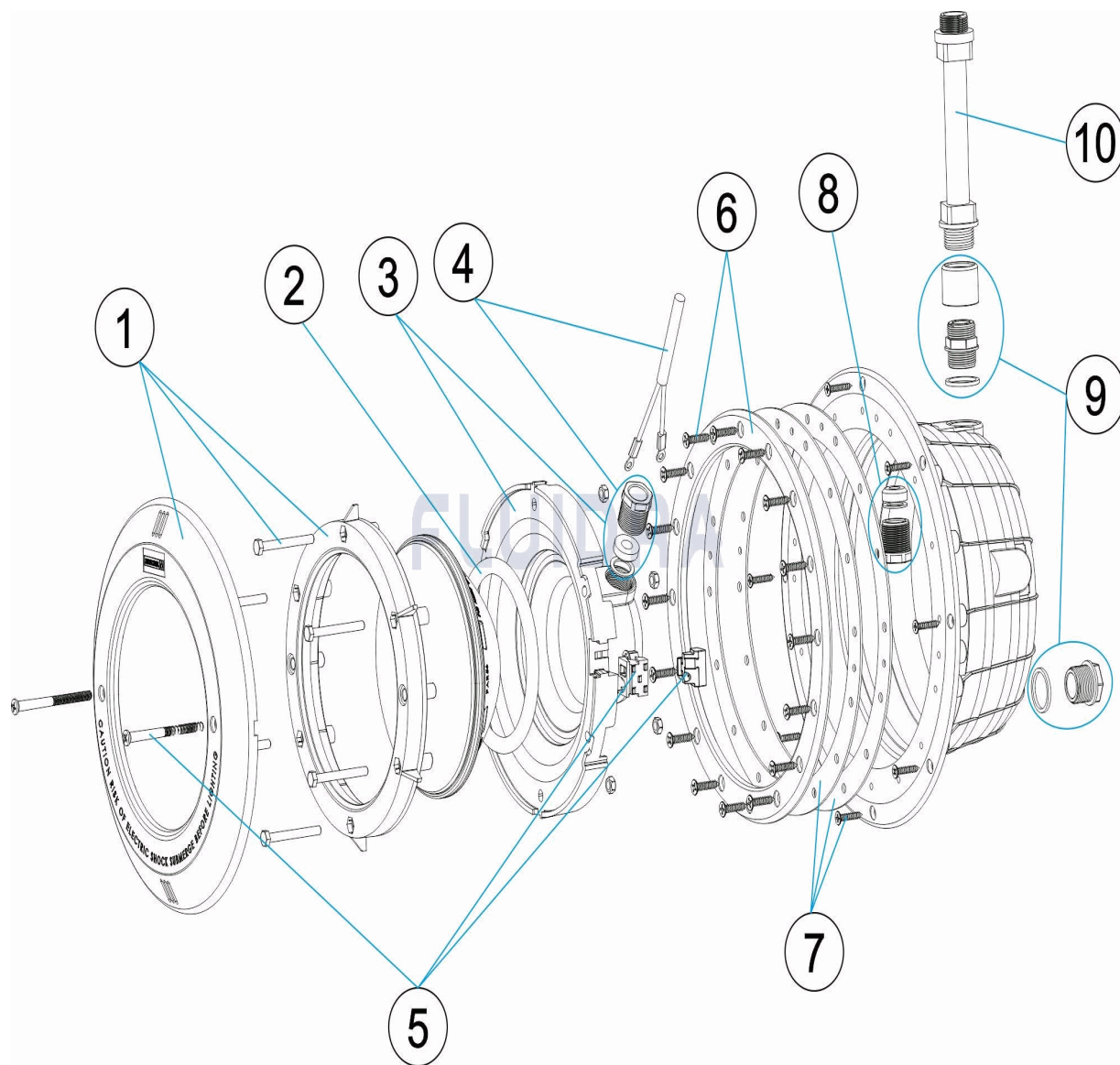


**ENGLISH**

POS	CODE	DESCRIPTION	QUANTITY	POS	CODE	DESCRIPTION	QUANTITY
1	4403010302	WHITE FACEPLATE		6	4403013506	LIGHT FIXING FLANGE (PARKER)	
2	4403010304	LIGHT O RING		7	4403010402	ADHESIVE GASKET	
3	4403010228	LIGHT BOTTOM		8	4403014001	PACKING GLANDUWL LEDS	
4	4403014003	CABLE FOR UWL LEDS		9	4403010313	BODY PACKING GLAND M-25	
5	4403010002	LIGHT FIXING FIXTURES GLOBAL		10	4403010059	HOSE CONDUIT M-25	

CODICE **56255**

DESCRIZIONE: **PROIETTORE GLOBAL**

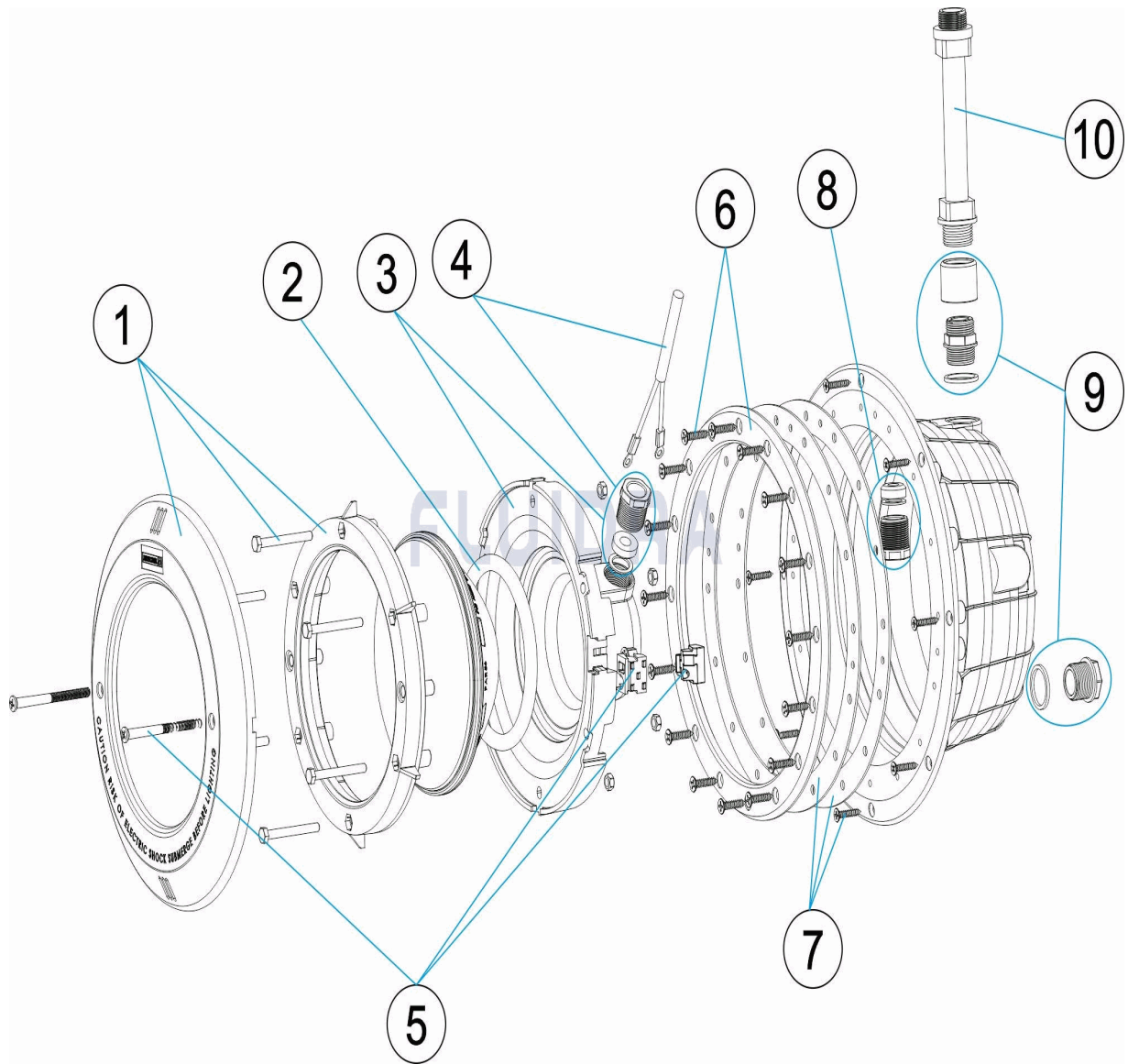


**ITALIANO**

POS	CODICE	DESCRIZIONE	QUANTITA'	POS	CODICE	DESCRIZIONE	QUANTITA'
1	4403010302	FLANGIA BIANCA FARO		6	4403013506	FLANGIA FISSAGGIO FARO (PARKER)	
2	4403010304	O-RING FARO		7	4403010402	GUARNIZIONE ADESIVA	
3	4403010228	CALOTTA FARO		8	4403014001	PRESSACAVI CALOTTA FARO LEDS	
4	4403014003	CAVO FARO LEDS		9	4403010313	PRESSACAVI CORPO M-25	
5	4403010002	FISSAGGIO FARO GLOBAL		10	4403010059	TUBO PASSACAVO M-25	

CODE **56255**

BESCHREIBUNG: **GLOBAL UWS**

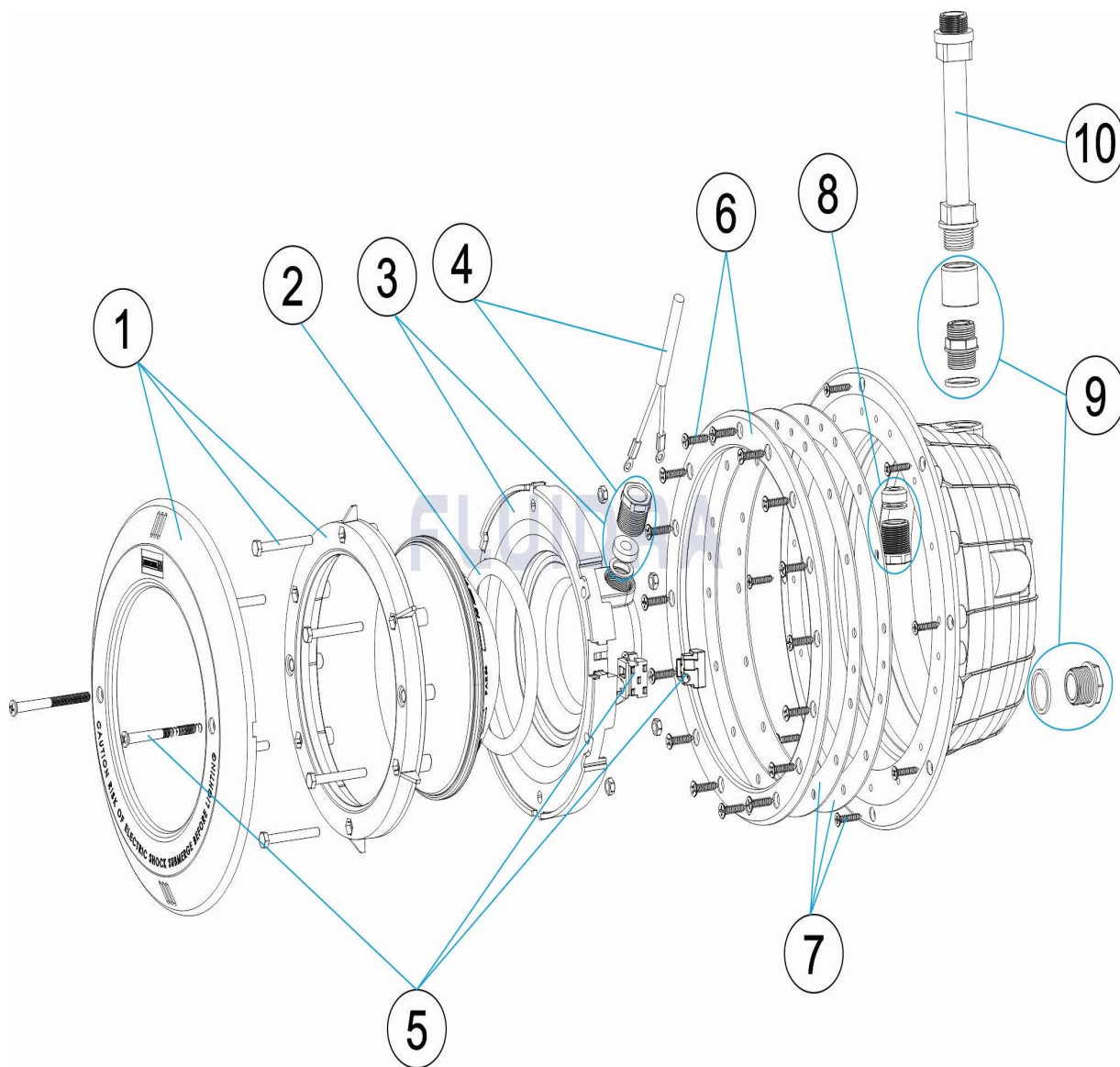


**DEUTSCH**

POS	CODE	BESCHREIBUNG	MENGE	POS	CODE	BESCHREIBUNG	MENGE
1	4403010302	RING WEISS UWS		6	4403013506	BEFESTIGUNGSFLANSCH UWS (PARKER)	
2	4403010304	O-RING UWS		7	4403010402	DICHTUNG SELBSTKLEBEND BREIT UWS €	
3	4403010228	BASIS UWS		8	4403014001	QUETSCHVERSCHRAUBUNG LAMPE UWS	
4	4403014003	UWS-KABEL LED		9	4403010313	QUETSCHVERSCHRAUBUNG GEHÄUSE UV	
5	4403010002	FIXIERUNG LAMPE UWS GLOBAL		10	4403010059	SCHLAUCH KABELDURCHFÜHRUNG M-25 :	

CODIGO **56255**

DESCRIÇÃO: **PROJETOR GLOBAL**



**PORTUGUES**

POS	CODIGO	DESCRIÇÃO	JANTIDADE	POS	CODIGO	DESCRIÇÃO	JANTIDADE
1	4403010302	ARO BRANCO PROJECTOR		6	4403013506	FLANGE FIXAÇÃO PROJECTOR (PARKER)	
2	4403010304	JUNTA TÓRICA PROJECTOR		7	4403010402	JUNTA ADESIVA	
3	4403010228	FUNDO PROJECTOR		8	4403014001	PRENSAESTOPAS FOCO PROJECTOR LED	
4	4403014003	CABO PROJECTOR LEDS		9	4403010313	BUCIN CORPO M-25	
5	4403010002	FIXAÇÃO FOCO PROJECTOR GLOBAL		10	4403010059	MANGUEIRA ANILHA M-25	