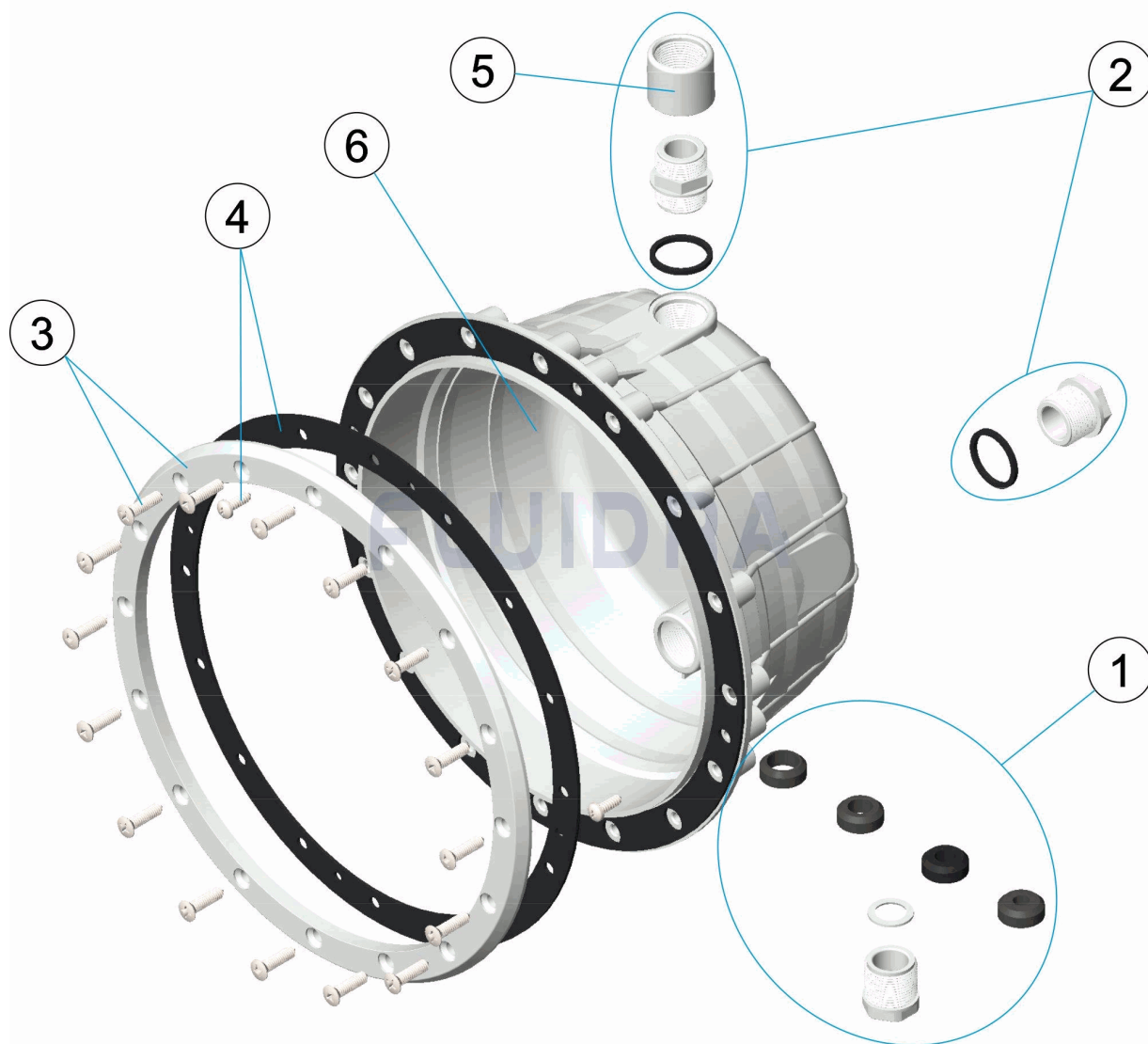


CODIGO **00364, 28887**

DESCRIPCION: **NICHO PROYECTOR STANDARD PISCINA PREFABRICADA**



ESPAÑOL

POS	CODIGO	DESCRIPCION	CANTIDAD	POS	CODIGO	DESCRIPCION	CANTIDAD
1	4403010801	CJTO. PRENSAESTOPAS	4	* 4403011010	JUNTA ADHESIVA PROYECTOR		
2	4403010313	PRENSAESTOPAS CUERPO PROYECTOR I	5	4403010802	MANGUITO M-25		
3	* 4403010901	ARO PROYECTOR PISCINA PREFABRICADA	6	* 07856R0200	NICHO PROYECTOR STD. M-25 BI MATERIA		
3	* 4403012416	ARO PROYECTOR PISC. PREF. TOR. PARK	6	* 4403010098	NICHO PROYECTOR		
4	* 4403012412	JUNTA ADHESIVA PROYECTOR					

CODIGO 00364, 28887

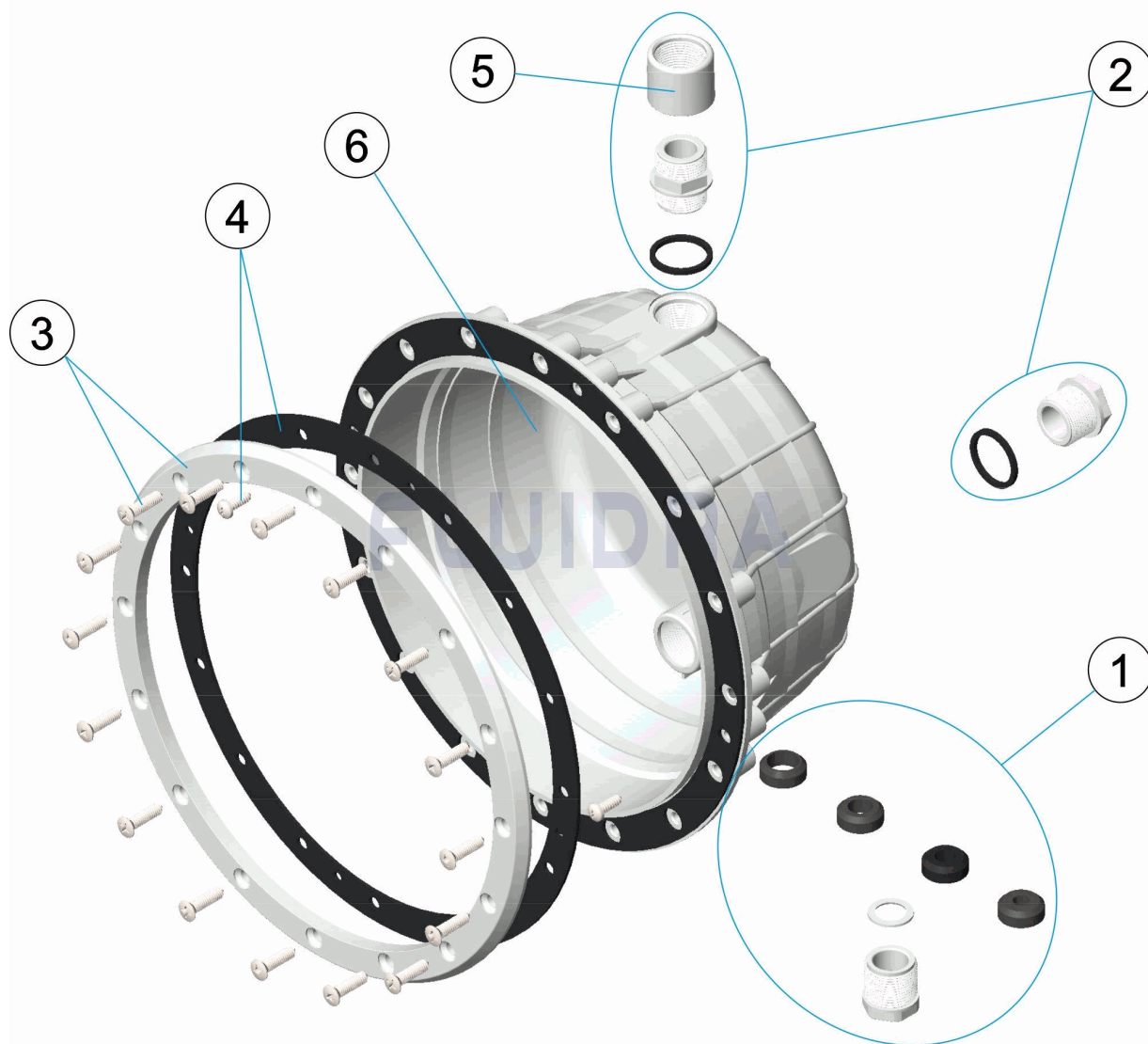
DESCRIPCION: NICHO PROYECTOR STANDARD PISCINA PREFABRICADA

OBSERVACIONES

POS	CODIGO	OBSERVACIONES
3	* 4403010901	PARA: 00364
3	* 4403012416	PARA: 28887
4	* 4403012412	PARA: 00364
4	* 4403011010	PARA: 28887
6	* 07856R0200	PARA: 00364
6	* 4403010098	PARA: 28887

CODE 00364, 28887

DESCRIPTION: NICHE PROJECTEUR STANDARD PISCINE PRÉFABRIQUÉE



FRANCAIS

POS	CODE	DESCRIPTION	QUANTITE	POS	CODE	DESCRIPTION	QUANTITE
1	4403010801	ENS. PRESSE ETOUPE	4	* 4403011010	JOINT ADHESIF PROJECTEUR		
2	4403010313	CORPS PRESSE ETOUPE M-25	5	4403010802	MANCHON M-25		
3	* 4403010901	ANNEALI PROJECTEUR PISCINE LINER	6	* 07856R0200	NICHE PROJECTEUR POUR VIS MÉTRIQUE		
3	* 4403012416	ANNEALI PROJECTEUR PISCINE LINER PA	6	* 4403010098	NICHE PROJECTEUR		
4	* 4403012412	JOINT ADHESIF PROJECTEUR					

CODE **00364, 28887**

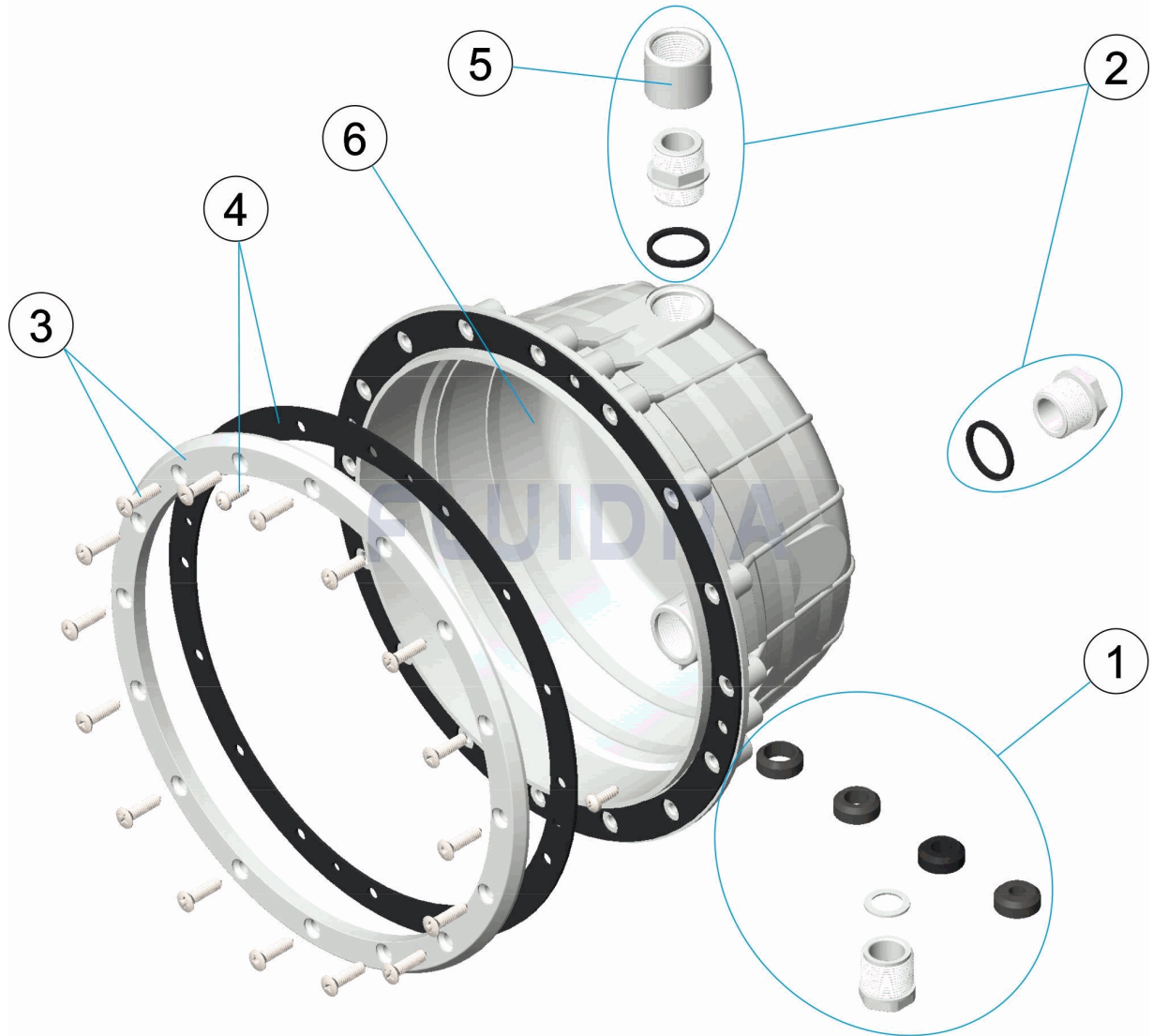
DESCRIPTION: NICHE PROJECTEUR STANDARD PISCINE PRÉFABRIQUÉE

OBSERVATIONS

POS	CODE	OBSERVATIONS
3	* 4403010901	POUR: 00364
3	* 4403012416	POUR: 28887
4	* 4403012412	POUR: 00364
4	* 4403011010	POUR: 28887
6	* 07856R0200	POUR: 00364
6	* 4403010098	POUR: 28887

CODE **00364, 28887**

DESCRIPTION: **STANDARD LIGHT NICHE PREFABRICATED POOL**



ENGLISH

POS	CODE	DESCRIPTION	QUANTITY	POS	CODE	DESCRIPTION	QUANTITY
1	4403010801	GLAND SEAL ASSY.		4	* 4403011010	LIGHT ADHESIVE GASKET	
2	4403010313	BODY PACKING GLAND M-25		5	4403010802	MUFF M-25	
3	* 4403010901	LIGHT RIM		6	* 07856R0200	BIMATERIAL METRIC PITCH HOUSING	
3	* 4403012416	LIGHT RIM PARKER		6	* 4403010098	FLOODLAMP HOUSING	
4	* 4403012412	LIGHT ADHESIVE GASKET					

CODE **00364, 28887**

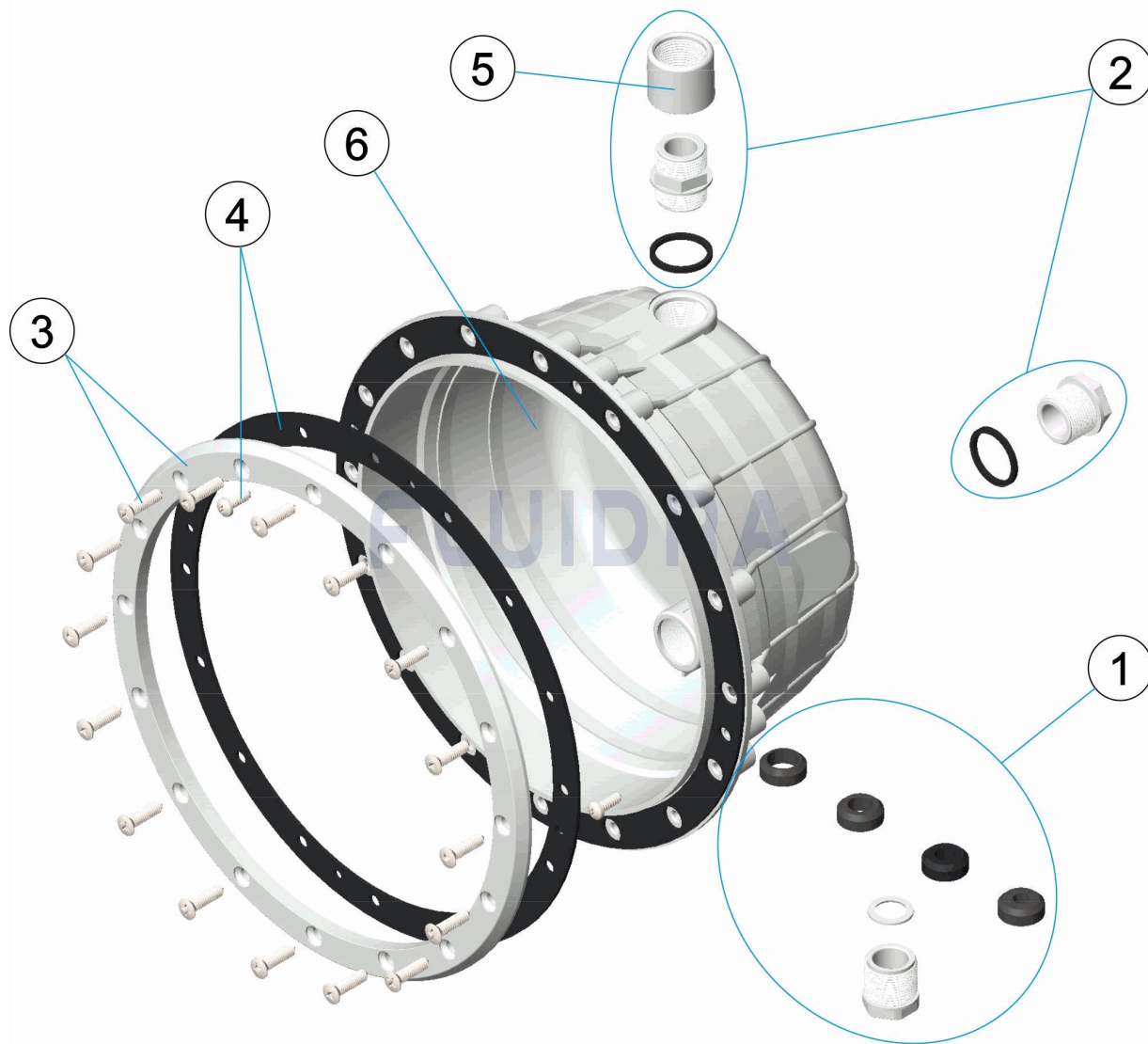
DESCRIPTION: **STANDARD LIGHT NICHE PREFABRICATED POOL**

OBSERVATIONS

POS	CODE	OBSERVATIONS
3	* 4403010901	FOR: 00364
3	* 4403012416	FOR: 28887
4	* 4403012412	FOR: 00364
4	* 4403011010	FOR: 28887
6	* 07856R0200	FOR: 00364
6	* 4403010098	FOR: 28887

CODICE 00364, 28887

DESCRIZIONE: NICCHIA PROIETTORE STANDARD PISCINA PREFABBRICATA



ITALIANO

POS	CODICE	DESCRIZIONE	QUANTITA'	POS	CODICE	DESCRIZIONE	QUANTITA'
1	4403010801	KIT PRESSACAVI		4	* 4403011010	GUARNIZIONE ADESIVA FARO	
2	4403010313	PRESSACAVI CORPO M-25		5	4403010802	MANICOTTO M-25	
3	* 4403010901	COPRIFLANGIA FARO P.F.		6	* 07856R0200	NICCHIA BIMATERIALE A FILETTO METRICO	
3	* 4403012416	COPRIFLANGIA FARO P.F. PARKER		6	* 4403010098	NICCHIA PROIETTORE	
4	* 4403012412	GUARNIZIONE ADESIVA FARO					

CODICE 00364, 28887

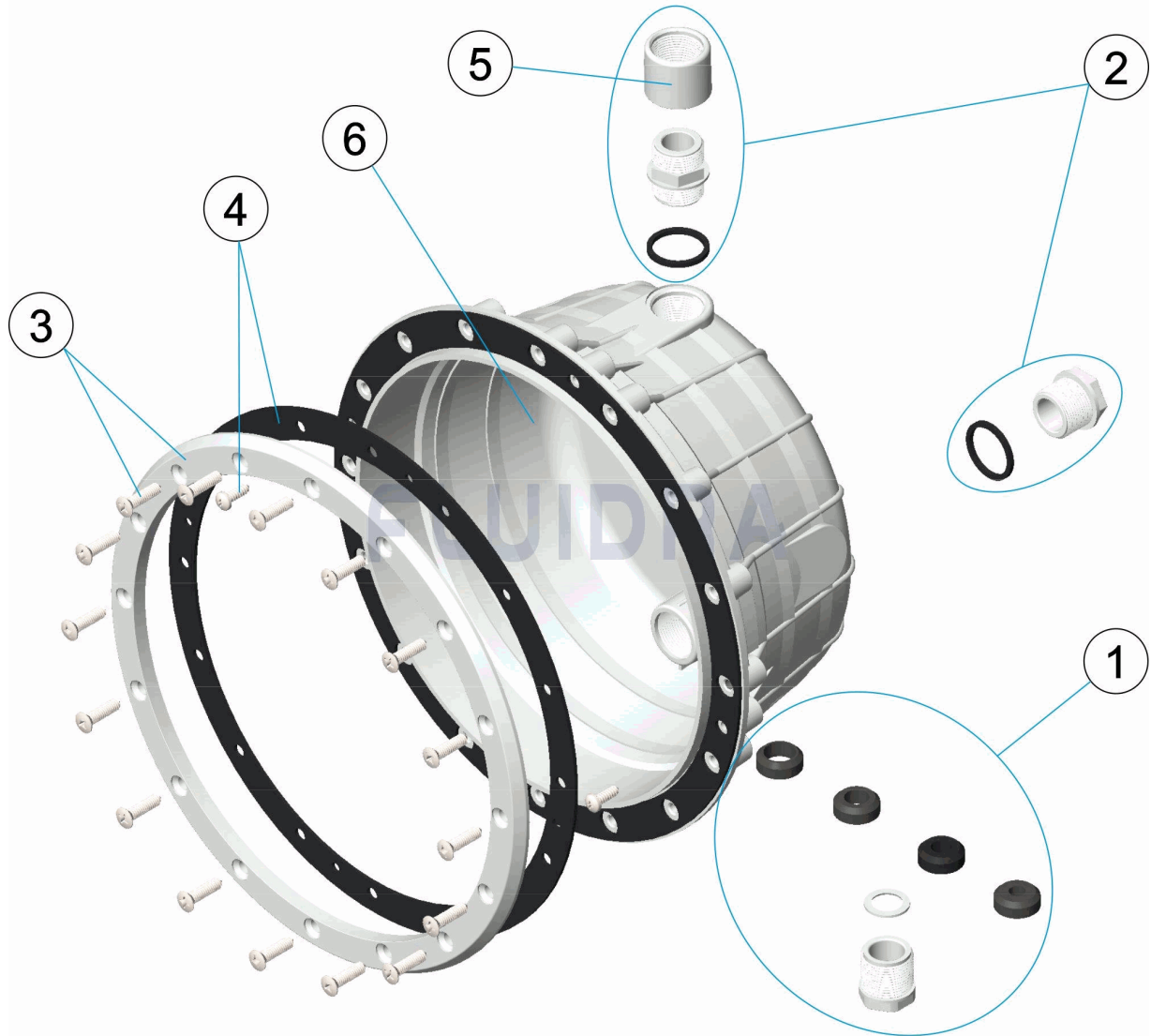
DESCRIZIONE: NICCHIA PROIETTORE STANDARD PISCINA PREFABBRICATA

OSSERVAZIONI

POS	CODICE	OSSERVAZIONI
3	* 4403010901	PER: 00364
3	* 4403012416	PER: 28887
4	* 4403012412	PER: 00364
4	* 4403011010	PER: 28887
6	* 07856R0200	PER: 00364
6	* 4403010098	PER: 28887

CODE **00364, 28887**

BESCHREIBUNG: **EINBAUTOPF UWS STANDARD FERTIGBECKEN**



DEUTSCH

POS	CODE	BESCHREIBUNG	MENGE	POS	CODE	BESCHREIBUNG	MENGE
1	4403010801	SET QUETSCHVERSCHRAUBUNG	4	* 4403011010	DICHTUNG SELBSTKLEBEND UWS		
2	4403010313	QUETSCHVERSCHRAUBUNG GEHÄUSE U'	5	4403010802	NIPPEL M-25		
3	* 4403010901	RING UWS FERTIGBECKEN	6	* 07856R0200	EINBAUTOPF UWS STD. M-25 ZWEI MATER		
3	* 4403012416	RING UWS FERTIGBECKEN PARKER-SCHF	6	* 4403010098	EINBAUTOPF UWS		
4	* 4403012412	DICHTUNG SELBSTKLEBEND UWS					

CODE **00364, 28887**

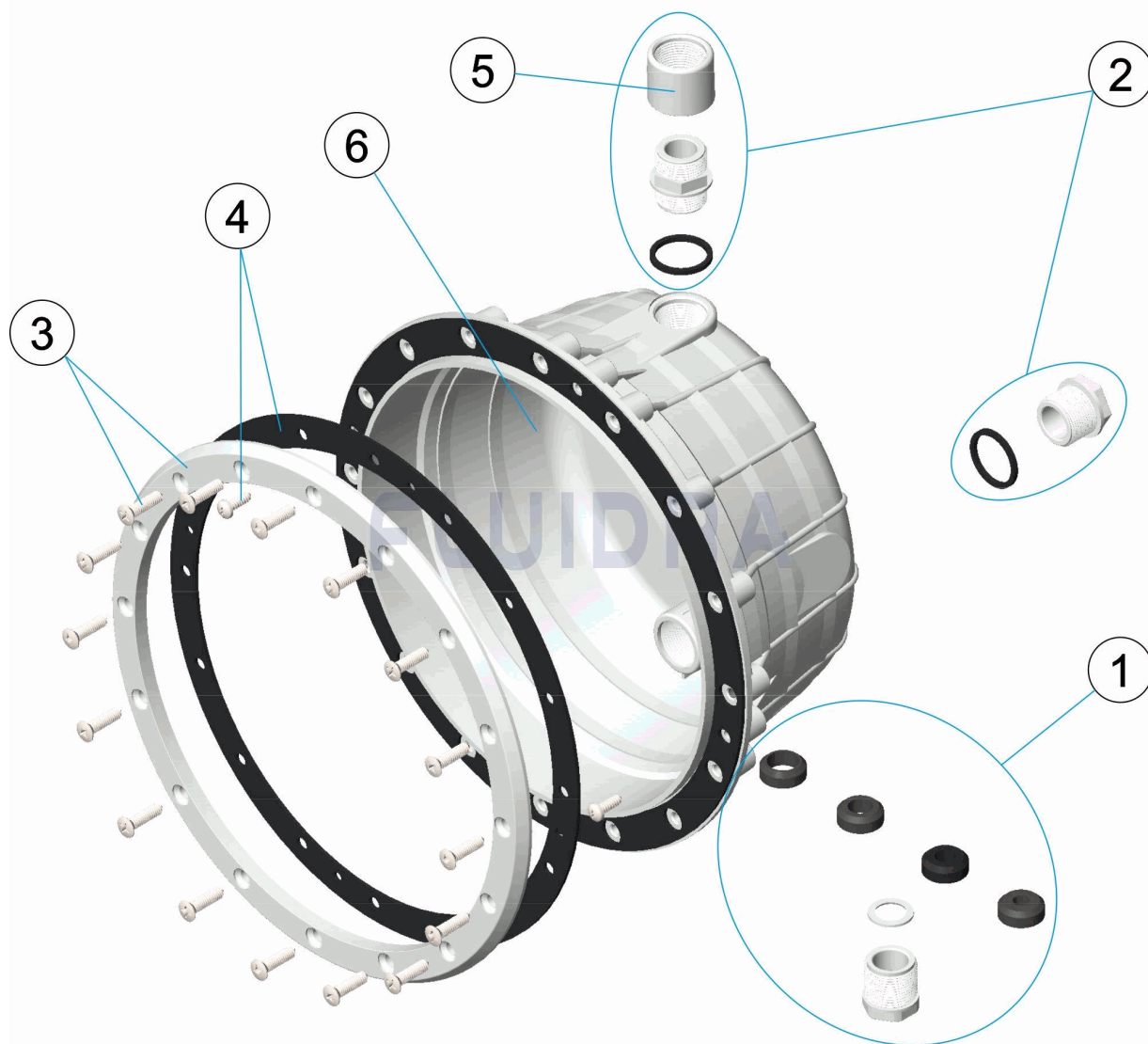
BESCHREIBUNG: **EINBAUTOPF UWS STANDARD FERTIGBECKEN**

HINWEISE

POS	CODE	HINWEISE
3	* 4403010901	FÜR: 00364
3	* 4403012416	FÜR: 28887
4	* 4403012412	FÜR: 00364
4	* 4403011010	FÜR: 28887
6	* 07856R0200	FÜR: 00364
6	* 4403010098	FÜR: 28887

CODIGO **00364, 28887**

DESCRIÇÃO: **NICHO PROJECTOR STANDARD PISCINA PRÉ-FABRICADA**



PORTUGUES

POS	CODIGO	DESCRIÇÃO	JANTIDADE	POS	CODIGO	DESCRIÇÃO	JANTIDADE
1	4403010801	CONJ.CAIXA DE VEDAÇÃO	4	* 4403011010	JUNTA ADESIVA PROJECTOR		
2	4403010313	BUCIN CORPO M-25		5	4403010802	MANGUITO M-25	
3	* 4403010901	ARO PROJECTOR PISC. PRÉF.		6	* 07856R0200	NICHO BIMATERIAL COM ROSCA METRICA	
3	* 4403012416	ARO PROJECTOR PISC. PRÉF. PARKER		6	* 4403010098	NICHO PROJECTOR	
4	* 4403012412	JUNTA ADESIVA PROJECTOR					

CODIGO 00364, 28887

DESCRIÇÃO: NICHOS PROJECTOR STANDARD PISCINA PRÉ-FABRICADA

OBSERVAÇÕES

POS	CODIGO	OBSERVAÇÕES
3	* 4403010901	PARA: 00364
3	* 4403012416	PARA: 28887
4	* 4403012412	PARA: 00364
4	* 4403011010	PARA: 28887
6	* 07856R0200	PARA: 00364
6	* 4403010098	PARA: 28887