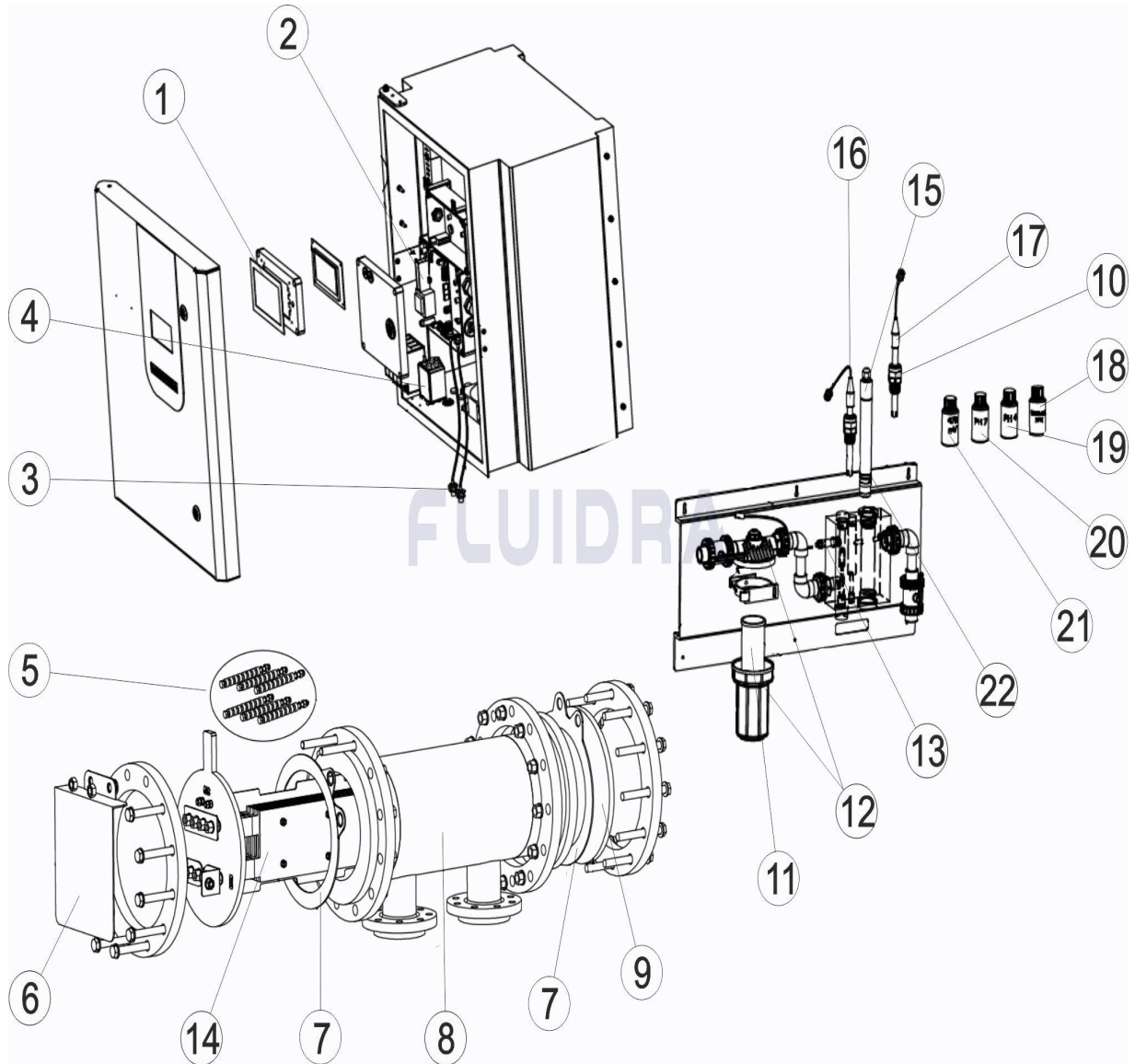


CODIGO 35253, 35254, 35255, 35256, 35259, 35260, 35261, 35262, 45837, 45838, 45839, 45840

DESCRIPCION: ELECTROLISIS DE SAL Y CONTROL PH D-65-D-300 EX-PLUS



ESPAÑOL

POS	CODIGO	DESCRIPCION	CANTIDAD	POS	CODIGO	DESCRIPCION	CANTIDAD
1	* 4408040148	TARGETA VISUALIZADORA TACTIL DV1 EX	4	* 4408041609	FILTRO 380V A-150/A-250/A-600 EX/PLUS		
1	* 4408040149	TARGETA VISUALIZADORA TACTIL DV1 EX.	5	* 4408041410	CJTO. TORNILLOS ANCLAJE ELECTRODOS		
1	* 4408040455	TARGETA VISUALIZADORA TACTIL EX V2	5	* 4408041534	CJTO. TORNILLOS ANCLAJE ELECTRODOS		
1	* 4408040456	TARGETA VISUALIZADORA TACTIL PH PPM	6	* 4408040077	PROTECTOR CONTACTOS D-80 EX		
2	* 4408040138	PLACA CONTROL D80 V1	6	* 4408040078	PROTECTOR CONTACTOS D-120/180		
2	* 4408040139	PLACA CONTROL D120 V1	6	* 4408040079	PROTECTOR CONTACTOS D-300/600		
2	* 4408040140	PLACA CONTROL D180 V1	7	* 4408041517	JUNTA BRIDA CELULA D-65/80EX/+		
2	* 4408040141	PLACA CONTROL D300 V1	7	* 4408041518	JUNTA BRIDA CELULA D-100/150EX/+		
2	* 4408040143	PLACA CONTROL D80+ V1	7	* 4408041519	JUNTA BRIDA CELULA D-250/600EX/+		
2	* 4408040144	PLACA CONTROL D120+ V1	8	* 4408041527	CELULA PORTA ELECTRODOS D-65/80EX/+		
2	* 4408040145	PLACA CONTROL D180+ V1	8	* 4408041528	CELULA PORTA ELECTRODOS D-100/120EX/+		
2	* 4408040146	PLACA CONTROL D300+ V1	8	* 4408041529	CELULA PORTA ELECTRODOS D-150EX/+		

CODIGO 35253, 35254, 35255, 35256, 35259, 35260, 35261, 35262, 45837, 45838, 45839, 45840

DESCRIPCION: ELECTROLISIS DE SAL Y CONTROL PH D-65-D-300 EX-PLUS

3	* 4408040088	LATIGUILLO BNC 0,7 EXTERNO	8	* 4408041530	CELULA PORTA ELECTRODOS D-250/300E>
3	* 4408040089	LATIGUILLO BNC EXT-2 BNC A PVA 24V	9	* 4408041531	DISCO METACRILATO D.158/10 MM. D-65/8C
4	* 4408041021	FILTRO 230V A-65/A-120 EX/PLUS	9	* 4408041532	DISCO METACRILATO D.267/15 MM. D-100/1
9	* 4408041533	DISCO METACRILATO D.320/15 MM. D-250/	15	* 60645	SENSOR CLORO LIBRE
10	* 4408040604	PORTAELECTRODOS PE 12M/M-1/2"	16	* 60648	ELECTRODO COMBINADO PH
11	* 4408041537	FILTRO PORTASONDAS LAVABLE	17	* 60649	ELECTRODO ORP
12	* 4408041538	PORTASONDAS E/S 1/2"	18	* 60646	ELECTROLITO ECC1/GEL SONDA CL
13	* 4408041541	SENSOR INDUCTIVO DE CAUDAL	19	* 60632	TAMPON PH 4,0 50 ML. (ROJO)
14	* 60636	ELECTRODO AUTO-LIMPIANTE D-65/80 EX	20	* 60618	TAMPON PH 7,0 50 M/L. (VERDE)
14	* 60676	ELECTRODO AUTO-LIMPIANTE D-100/120	21	* 60633	SOLUCION CALIBRACION 470MV.
14	* 60677	ELECTRODO AUTO-LIMPIANTE D-150 EX/4	22	* 60647	CABEZAL MEMBRANA SENSOR CLORO LIB
14	* 60678	ELECTRODO AUTO-LIMPIANTE D-250/300			

CODIGO 35253, 35254, 35255, 35256, 35259, 35260, 35261, 35262, 45837, 45838, 45839, 45840

DESCRIPCION: ELECTROLISIS DE SAL Y CONTROL PH D-65-D-300 EX-PLUS

OBSERVACIONES

POS	CODIGO	OBSERVACIONES
1	* 4408040148	PARA: 35253, 35254, 35255, 35256, 35259, 35260, 35261, 35262 OLD MODEL
1	* 4408040149	PARA: 45837, 45838, 45839, 45840 OLD MODEL
1	* 4408040455	PARA: 35253, 35254, 35255, 35256, 35259, 35260, 35261, 35262 CURRENT MODEL
1	* 4408040456	PARA: 45837, 45838, 45839, 45840 CURRENT MODEL
2	* 4408040138	PARA: 35253
2	* 4408040139	PARA: 35254
2	* 4408040140	PARA: 35255
2	* 4408040141	PARA: 35256
2	* 4408040143	PARA: 35259, 45837
2	* 4408040144	PARA: 35260, 45838
2	* 4408040145	PARA: 35261, 45839
2	* 4408040146	PARA: 35262, 45840
3	* 4408040088	PARA: 35259, 35260, 35261, 35262, 45837, 45838, 45839, 45840
3	* 4408040089	PARA: 45837, 45838, 45839, 45840
4	* 4408041021	PARA: 35253, 35254, 35259, 35260, 45837, 45838
4	* 4408041609	PARA: 35255, 35256, 35261, 35262, 45839, 45840
5	* 4408041410	PARA: 35253, 35259, 45837
5	* 4408041534	PARA: 35254, 35255, 35256, 35260, 35261, 35262, 45838, 45839, 45840
6	* 4408040077	PARA: 35253, 35259, 45837
6	* 4408040078	PARA: 35254, 35255, 35260, 35261, 45838, 45839
6	* 4408040079	PARA: 35256, 35262, 45840
7	* 4408041517	PARA: 35253, 35259, 45837
7	* 4408041518	PARA: 35254, 35255, 35260, 35261, 45838, 45839
7	* 4408041519	PARA: 35256, 35262, 45840
8	* 4408041527	PARA: 35253, 35259, 45837
8	* 4408041528	PARA: 35254, 35260, 45838
8	* 4408041529	PARA: 35255, 35261, 45839
8	* 4408041530	PARA: 35256, 35262, 45840
9	* 4408041531	PARA: 35253, 35259, 45837
9	* 4408041532	PARA: 35254, 35255, 35260, 35261, 45838, 45839
9	* 4408041533	PARA: 35256, 35262, 45840
10	* 4408040604	PARA: 35259, 35260, 35261, 35262, 45837, 45838, 45839, 45840
11	* 4408041537	PARA: 45837, 45838, 45839, 45840
12	* 4408041538	PARA: 45837, 45838, 45839, 45840
13	* 4408041541	PARA: 45837, 45838, 45839, 45840
14	* 60636	PARA: 35253, 35259, 45837
14	* 60676	PARA: 35254, 35260, 45838
14	* 60677	PARA: 35255, 35261, 45839
14	* 60678	PARA: 35256, 35262, 45840
15	* 60645	PARA: 45837, 45838, 45839, 45840
16	* 60648	PARA: 35259, 35260, 35261, 35262, 45837, 45838, 45839, 45840
17	* 60649	PARA: 35259, 35260, 35261, 35262
18	* 60646	PARA: 45837, 45838, 45839, 45840

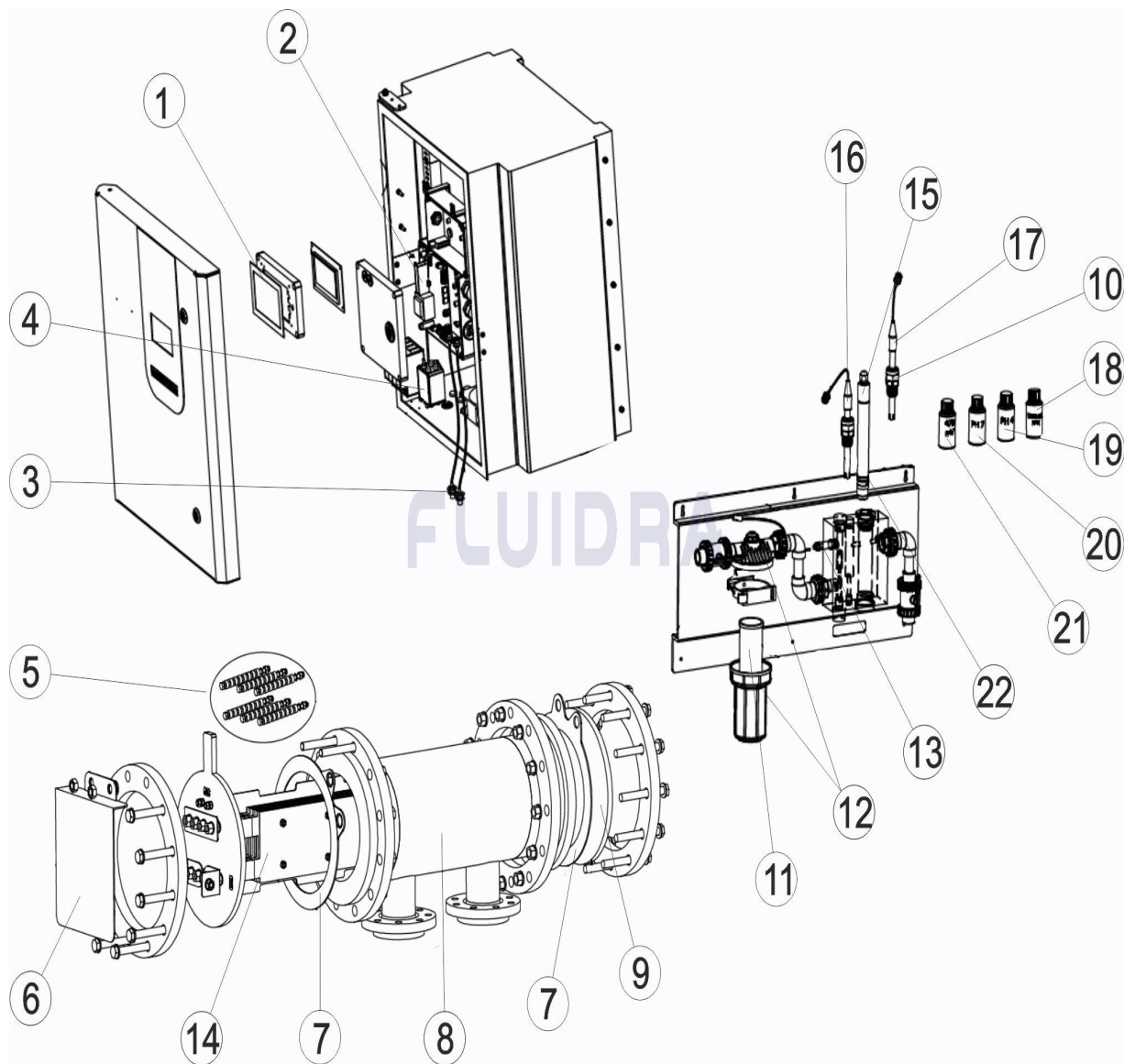
CODIGO 35253, 35254, 35255, 35256, 35259, 35260, 35261, 35262, 45837, 45838, 45839, 45840

DESCRIPCION: ELECTROLISIS DE SAL Y CONTROL PH D-65-D-300 EX-PLUS

19	* 60632	PARA: 35259, 35260, 35261, 35262, 45837, 45838, 45839, 45840
20	* 60618	PARA: 35259, 35260, 35261, 35262, 45837, 45838, 45839, 45840
21	* 60633	PARA: 35259, 35260, 35261, 35262
22	* 60647	PARA: 45837, 45838, 45839, 45840

CODE 35253, 35254, 35255, 35256, 35259, 35260, 35261, 35262, 45837, 45838, 45839, 45840

DESCRIPTION: ÉLECTROLYSE AU SEL ET CONTRÔLE PH D-65/D-300 EX/PLUS



FRANCAIS

POS	CODE	DESCRIPTION	QUANTITE	POS	CODE	DESCRIPTION	QUANTITE
1	* 4408040148	CARTE AFFICHEUR ÉLECTROLYSE DV1 E)		4	* 4408041609	FILTRE 380V A-150/A-250/A-600 EX/PLUS	
1	* 4408040149	CARTE AFFICHEUR ÉLECTROLYSE DV1 E)		5	* 4408041410	KIT DE VIS POUR FIXATION D'ÉLECTRODE:	
1	* 4408040455	CARTE AFFICHEUR ÉLECTROLYSE EX V2		5	* 4408041534	KIT DE VIS POUR FIXATION D'ÉLECTRODE:	
1	* 4408040456	CARTE AFFICHEUR ÉLECTROLYSE PH PPI		6	* 4408040077	PROTECTEUR CONTACTS D-80 EX	
2	* 4408040138	PLAQUE CONTRÔLE D80 V1		6	* 4408040078	PROTECTEUR CONTACTS D-80 EX	
2	* 4408040139	PLAQUE CONTRÔLE D120 V1		6	* 4408040079	PROTECTEUR CONTACTS D-80 EX	
2	* 4408040140	PLAQUE CONTRÔLE D180 V1		7	* 4408041517	JOINT CELLULE D-65/80EX/+	
2	* 4408040141	PLAQUE CONTRÔLE D300 V1		7	* 4408041518	JOINT CELLULE D-100/150EX/+	
2	* 4408040143	PLAQUE CONTRÔLE D80+ V1		7	* 4408041519	JOINT CELLULE D-250/D-600EX/+	
2	* 4408040144	PLAQUE CONTRÔLE D120+ V1		8	* 4408041527	CELLULE PORTE-ÉLECTRODE D-65/80 EX/+	
2	* 4408040145	PLAQUE CONTRÔLE D180+ V1		8	* 4408041528	CELLULE PORTE-ÉLECTRODE D-100/120 E.	
2	* 4408040146	PLAQUE CONTRÔLE D300+ V1		8	* 4408041529	CELLULE PORTE-ÉLECTRODE D-150 EX/+	

CODE **35253, 35254, 35255, 35256, 35259, 35260, 35261, 35262, 45837, 45838, 45839, 45840**

DESCRIPTION: **ÉLECTROLYSE AU SEL ET CONTRÔLE PH D-65/D-300 EX/PLUS**

3	* 4408040088	CÂBLE BNC 0,7	8	* 4408041530	CELLULE PORTE-ÉLECTRODE D-250/300 E.
3	* 4408040089	CÂBLE BNC EXT-2 BNC A PVA 24V	9	* 4408041531	DISQUE EN METACRYLATE D.158/10 MM. D
4	* 4408041021	FILTRE 230V A-65/A-120 EX/PLUS	9	* 4408041532	DISQUE EN METACRYLATE D.267/15 MM.. C
9	* 4408041533	DISQUE EN METACRYLATE D.320/15 MM. C	15	* 60645	SONDE DE CHLORE LIBRE
10	* 4408040604	PORTE-ÉLECTRODE PE 12M/M. 1/2"	16	* 60648	ELECTRODE COMBINÉE PH
11	* 4408041537	FILTRE PORTE-SONDES LAVABLE	17	* 60649	ELECTRODE ORP
12	* 4408041538	PORTE-SONDES E/S 1/2"	18	* 60646	ELECTROLYTE
13	* 4408041541	SONDE DE DÉBIT INDUCTIVE	19	* 60632	TAMPON PH 4,0 50 ML. (ROUGE)
14	* 60636	ELECTRODE AUTO-NETTOYANTE D-65/80 I	20	* 60618	TAMPON PH 7,0 50 M/L. (VERT)
14	* 60676	ELECTRODE AUTO-NETTOYANTE D-100/12	21	* 60633	SOLUTION CALIBRAGE 470 MV
14	* 60677	ELECTRODE AUTO-NETTOYANTE D-150 E)	22	* 60647	CAPSULE MEMBRANE POUR SONDE CHLC
14	* 60678	ELECTRODE AUTO-NETTOYANTE D-250/3C			

CODE **35253, 35254, 35255, 35256, 35259, 35260, 35261, 35262, 45837, 45838, 45839, 45840**

DESCRIPTION: **ÉLECTROLYSE AU SEL ET CONTRÔLE PH D-65/D-300 EX/PLUS**

OBSERVATIONS

POS	CODE	OBSERVATIONS
1	* 4408040148	POUR: 35253, 35254, 35255, 35256, 35259, 35260, 35261, 35262 OLD MODEL
1	* 4408040149	POUR: 45837, 45838, 45839, 45840 OLD MODEL
1	* 4408040455	POUR: 35253, 35254, 35255, 35256, 35259, 35260, 35261, 35262 CURRENT MODEL
1	* 4408040456	POUR: 45837, 45838, 45839, 45840 CURRENT MODEL
2	* 4408040138	POUR: 35253
2	* 4408040139	POUR: 35254
2	* 4408040140	POUR: 35255
2	* 4408040141	POUR: 35256
2	* 4408040143	POUR: 35259, 45837
2	* 4408040144	POUR: 35260, 45838
2	* 4408040145	POUR: 35261, 45839
2	* 4408040146	POUR: 35262, 45840
3	* 4408040088	POUR: 35259, 35260, 35261, 35262, 45837, 45838, 45839, 45840
3	* 4408040089	POUR: 45837, 45838, 45839, 45840
4	* 4408041021	POUR: 35253, 35254, 35259, 35260, 45837, 45838
4	* 4408041609	POUR: 35255, 35256, 35261, 35262, 45839, 45840
5	* 4408041410	POUR: 35253, 35259, 45837
5	* 4408041534	POUR: 35254, 35255, 35256, 35260, 35261, 35262, 45838, 45839, 45840
6	* 4408040077	POUR: 35253, 35259, 45837
6	* 4408040078	POUR: 35254, 35255, 35260, 35261, 45838, 45839
6	* 4408040079	POUR: 35256, 35262, 45840
7	* 4408041517	POUR: 35253, 35259, 45837
7	* 4408041518	POUR: 35254, 35255, 35260, 35261, 45838, 45839
7	* 4408041519	POUR: 35256, 35262, 45840
8	* 4408041527	POUR: 35253, 35259, 45837
8	* 4408041528	POUR: 35254, 35260, 45838
8	* 4408041529	POUR: 35255, 35261, 45839
8	* 4408041530	POUR: 35256, 35262, 45840
9	* 4408041531	POUR: 35253, 35259, 45837
9	* 4408041532	POUR: 35254, 35255, 35260, 35261, 45838, 45839
9	* 4408041533	POUR: 35256, 35262, 45840
10	* 4408040604	POUR: 35259, 35260, 35261, 35262, 45837, 45838, 45839, 45840
11	* 4408041537	POUR: 45837, 45838, 45839, 45840
12	* 4408041538	POUR: 45837, 45838, 45839, 45840
13	* 4408041541	POUR: 45837, 45838, 45839, 45840
14	* 60636	POUR: 35253, 35259, 45837
14	* 60676	POUR: 35254, 35260, 45838
14	* 60677	POUR: 35255, 35261, 45839
14	* 60678	POUR: 35256, 35262, 45840
15	* 60645	POUR: 45837, 45838, 45839, 45840
16	* 60648	POUR: 35259, 35260, 35261, 35262, 45837, 45838, 45839, 45840
17	* 60649	POUR: 35259, 35260, 35261, 35262
18	* 60646	POUR: 45837, 45838, 45839, 45840

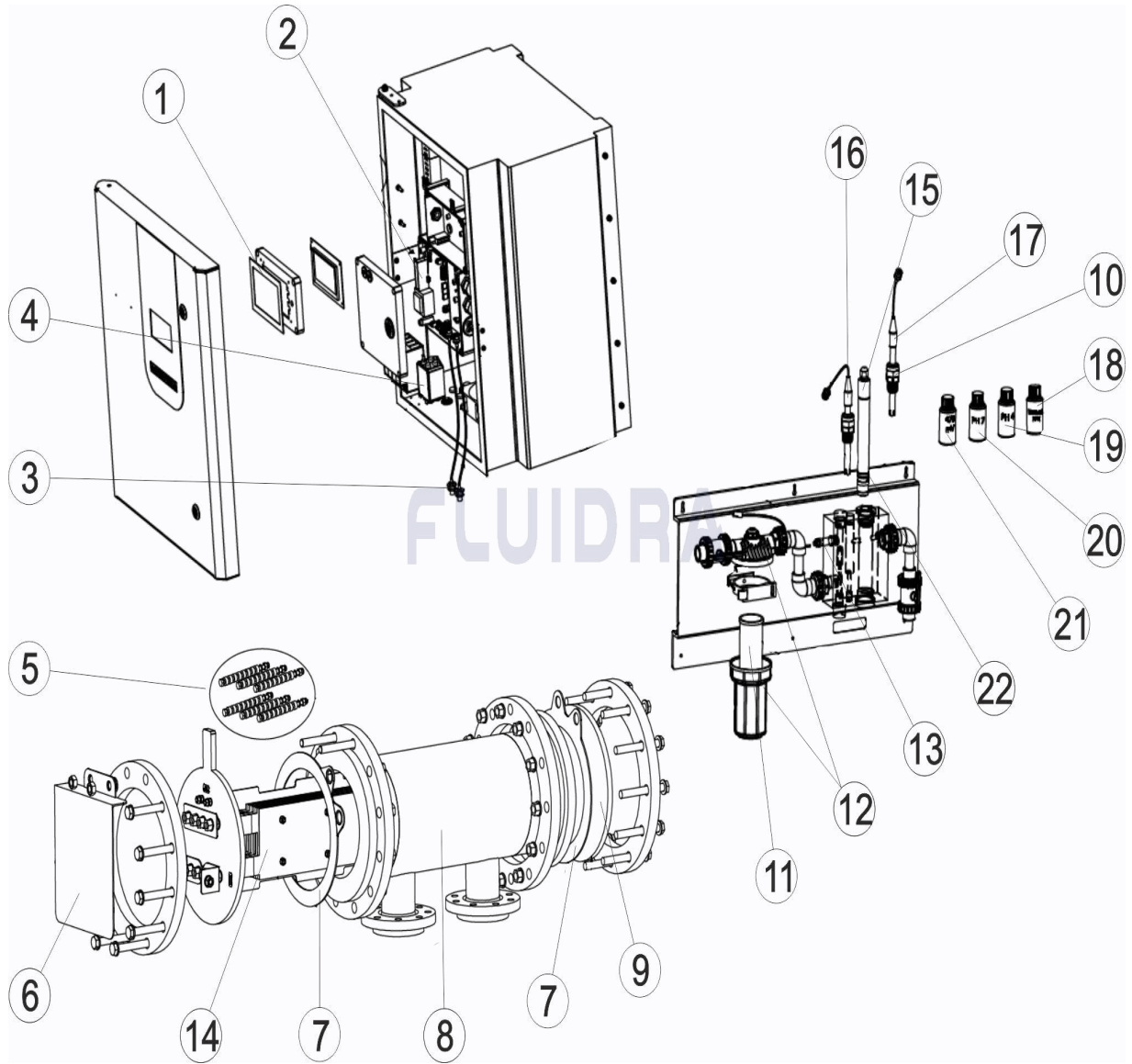
CODE 35253, 35254, 35255, 35256, 35259, 35260, 35261, 35262, 45837, 45838, 45839, 45840

DESCRIPTION: ÉLECTROLYSE AU SEL ET CONTRÔLE PH D-65/D-300 EX/PLUS

19	* 60632	POUR: 35259, 35260, 35261, 35262, 45837, 45838, 45839, 45840
20	* 60618	POUR: 35259, 35260, 35261, 35262, 45837, 45838, 45839, 45840
21	* 60633	POUR: 35259, 35260, 35261, 35262
22	* 60647	POUR: 45837, 45838, 45839, 45840

CODE **35253, 35254, 35255, 35256, 35259, 35260, 35261, 35262, 45837, 45838, 45839, 45840**

DESCRIPTION: **SALT ELECTROLYSIS AND PH CONTROL D-65/300 EX/PLUS**



ENGLISH

POS	CODE	DESCRIPTION	QUANTITY	POS	CODE	DESCRIPTION	QUANTITY
1	* 4408040148	DV1 EX ELECTROLYSIS VIEWER CARD		4	* 4408041609	FILTER 380V A-150/A-250/A-600 EX/PLUS	
1	* 4408040149	DV1 EX2 ELECTROLYSIS VIEWER CARD		5	* 4408041410	SCREW KIT FOR ELECTRODE FIXATION	
1	* 4408040455	EX V2 ELECTROLYSIS VIEWER CARD		5	* 4408041534	SCREW KIT FOR ELECTRODE FIXATION D-	
1	* 4408040456	PH PPM V2 ELECTROLYSIS VIEWER CARD		6	* 4408040077	CONTAC PROTECTION D-80 EX	
2	* 4408040138	ELECTRONIC CARD D80 V1		6	* 4408040078	CONTAC PROTECTION D-80 EX	
2	* 4408040139	ELECTRONIC CARD D120 V1		6	* 4408040079	CONTAC PROTECTION D-80 EX	
2	* 4408040140	ELECTRONIC CARD D180 V1		7	* 4408041517	CELL GASKET D-65/80EX/+	
2	* 4408040141	ELECTRONIC CARD D300 V1		7	* 4408041518	CELL GASKET D-100/150EX/+	
2	* 4408040143	ELECTRONIC CARD D80+ V1		7	* 4408041519	CELL GASKET D-250/D-600EX/+	
2	* 4408040144	ELECTRONIC CARD D120+ V1		8	* 4408041527	ELECTRODE CELL D-65/80 EX/+	
2	* 4408040145	ELECTRONIC CARD D180+ V1		8	* 4408041528	ELECTRODE CELL D-100/120 EX/+	
2	* 4408040146	ELECTRONIC CARD D300+ V1		8	* 4408041529	ELECTRODE CELL D-150 EX/+	

CODE **35253, 35254, 35255, 35256, 35259, 35260, 35261, 35262, 45837, 45838, 45839, 45840**

DESCRIPTION: **SALT ELECTROLYSIS AND PH CONTROL D-65/300 EX/PLUS**

3	* 4408040088	BNC 0,7 EX CABLE	8	* 4408041530	ELECTRODE CELL D-250/300 EX/+
3	* 4408040089	EXT-2 BNC A PVA 24V CABLE	9	* 4408041531	METHACRYLATE DISK D.158/10 MM. D-65/80
4	* 4408041021	FILTER 230V A-65/A-120 EX/PLUS	9	* 4408041532	METHACRYLATE DISK D.267/15 MM.. D-100
9	* 4408041533	METHACRYLATE DISK D.320/15 MM. D-250,	15	* 60645	FREE CHLORINE SENSOR
10	* 4408040604	ELECTRODE CARRIER PE 12MM.-1/2"	16	* 60648	ELECTRODE PH
11	* 4408041537	WASHABLE MAXIM CELL FILTER	17	* 60649	ORP ELECTRODE
12	* 4408041538	MAXIM CELL E/S 1/2"	18	* 60646	ELECTROLITE
13	* 4408041541	INDUCTIVE FLOW SENSOR	19	* 60632	CALIBRATION SOLUTION PH 4,0 50 ML. (RE
14	* 60636	SELF-CLEANING ELECTRODE D-65/80 EX/	20	* 60618	CALIBRATION SOLUTION PH 7,0 50 M/L. (Gf
14	* 60676	SELF-CLEANING D-100/120 EX/+	21	* 60633	CALIBRATION SOLUTION ORP 470 MV
14	* 60677	SELF-CLEANING D-150 EX/+	22	* 60647	MEMBRANE CAP FOR FREE CHLORINE SEI
14	* 60678	SELF-CLEANING D-250/300 EX/+			

CODE **35253, 35254, 35255, 35256, 35259, 35260, 35261, 35262, 45837, 45838, 45839, 45840**

DESCRIPTION: **SALT ELECTROLYSIS AND PH CONTROL D-65/300 EX/PLUS**

OBSERVATIONS

POS	CODE	OBSERVATIONS
1	* 4408040148	FOR: 35253, 35254, 35255, 35256, 35259, 35260, 35261, 35262 OLD MODEL
1	* 4408040149	FOR: 45837, 45838, 45839, 45840 OLD MODEL
1	* 4408040455	FOR: 35253, 35254, 35255, 35256, 35259, 35260, 35261, 35262 CURRENT MODEL
1	* 4408040456	FOR: 45837, 45838, 45839, 45840 CURRENT MODEL
2	* 4408040138	FOR: 35253
2	* 4408040139	FOR: 35254
2	* 4408040140	FOR: 35255
2	* 4408040141	FOR: 35256
2	* 4408040143	FOR: 35259, 45837
2	* 4408040144	FOR: 35260, 45838
2	* 4408040145	FOR: 35261, 45839
2	* 4408040146	FOR: 35262, 45840
3	* 4408040088	FOR: 35259, 35260, 35261, 35262, 45837, 45838, 45839, 45840
3	* 4408040089	FOR: 45837, 45838, 45839, 45840
4	* 4408041021	FOR: 35253, 35254, 35259, 35260, 45837, 45838
4	* 4408041609	FOR: 35255, 35256, 35261, 35262, 45839, 45840
5	* 4408041410	FOR: 35253, 35259, 45837
5	* 4408041534	FOR: 35254, 35255, 35256, 35260, 35261, 35262, 45838, 45839, 45840
6	* 4408040077	FOR: 35253, 35259, 45837
6	* 4408040078	FOR: 35254, 35255, 35260, 35261, 45838, 45839
6	* 4408040079	FOR: 35256, 35262, 45840
7	* 4408041517	FOR: 35253, 35259, 45837
7	* 4408041518	FOR: 35254, 35255, 35260, 35261, 45838, 45839
7	* 4408041519	FOR: 35256, 35262, 45840
8	* 4408041527	FOR: 35253, 35259, 45837
8	* 4408041528	FOR: 35254, 35260, 45838
8	* 4408041529	FOR: 35255, 35261, 45839
8	* 4408041530	FOR: 35256, 35262, 45840
9	* 4408041531	FOR: 35253, 35259, 45837
9	* 4408041532	FOR: 35254, 35255, 35260, 35261, 45838, 45839
9	* 4408041533	FOR: 35256, 35262, 45840
10	* 4408040604	FOR: 35259, 35260, 35261, 35262, 45837, 45838, 45839, 45840
11	* 4408041537	FOR: 45837, 45838, 45839, 45840
12	* 4408041538	FOR: 45837, 45838, 45839, 45840
13	* 4408041541	FOR: 45837, 45838, 45839, 45840
14	* 60636	FOR: 35253, 35259, 45837
14	* 60676	FOR: 35254, 35260, 45838
14	* 60677	FOR: 35255, 35261, 45839
14	* 60678	FOR: 35256, 35262, 45840
15	* 60645	FOR: 45837, 45838, 45839, 45840
16	* 60648	FOR: 35259, 35260, 35261, 35262, 45837, 45838, 45839, 45840
17	* 60649	FOR: 35259, 35260, 35261, 35262
18	* 60646	FOR: 45837, 45838, 45839, 45840

* SEE OBSERVATIONS SHEET

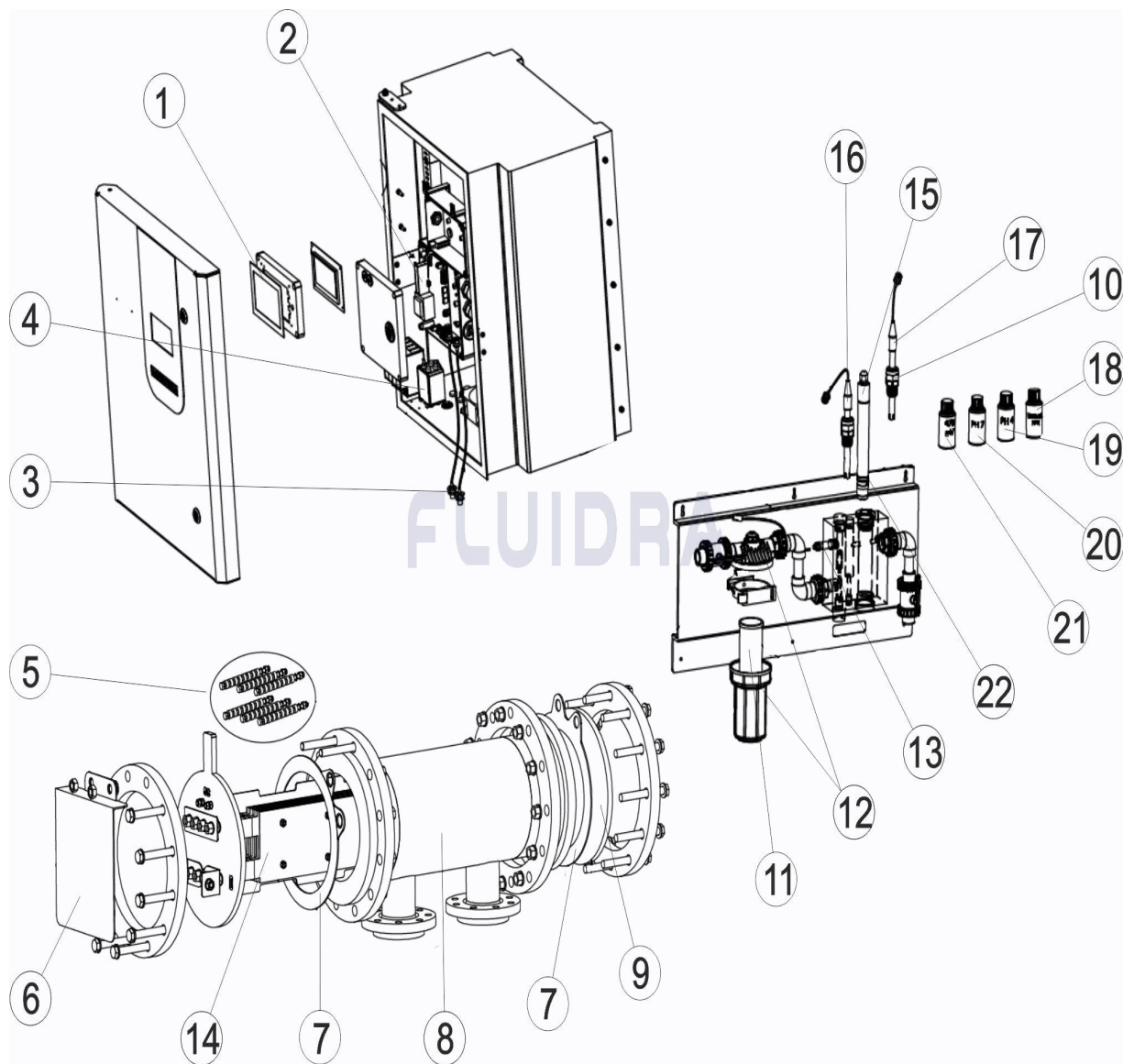
CODE **35253, 35254, 35255, 35256, 35259, 35260, 35261, 35262, 45837, 45838, 45839, 45840**

DESCRIPTION: **SALT ELECTROLYSIS AND PH CONTROL D-65/300 EX/PLUS**

19	* 60632	FOR: 35259, 35260, 35261, 35262, 45837, 45838, 45839, 45840
20	* 60618	FOR: 35259, 35260, 35261, 35262, 45837, 45838, 45839, 45840
21	* 60633	FOR: 35259, 35260, 35261, 35262
22	* 60647	FOR: 45837, 45838, 45839, 45840

CODICE 35253, 35254, 35255, 35256, 35259, 35260, 35261, 35262, 45837, 45838, 45839, 45840

DESCRIZIONE: Elettrolisi da sale e controllo PH D-65/D-300 EX/PLUS



ITALIANO

POS	CODICE	DESCRIZIONE	QUANTITA'	POS	CODICE	DESCRIZIONE	QUANTITA'
1	* 4408040148	SCHEDA VISORE ELETTROLISI DV1 EX	4	* 4408041609	FILTRE 380V A-150/A-250/A-600 EX/PLUS		
1	* 4408040149	SCHEDA VISORE ELETTROLISI DV1 EX2	5	* 4408041410	KIT DI VITI PER FISSAGGIO DELL'ELETTRO		
1	* 4408040455	SCHEDA VISORE ELETTROLISI EX V2	5	* 4408041534	KIT DI VITI PER FISSAGGIO DELL'ELETTRO		
1	* 4408040456	SCHEDA VISORE ELETTROLISI PH PPM V2	6	* 4408040077	PROTECTORE CONTATTI D-80 EX		
2	* 4408040138	SCHEDA D80 V1	6	* 4408040078	PROTECTORE CONTATTI D-80 EX		
2	* 4408040139	SCHEDA D120 V1	6	* 4408040079	PROTECTORE CONTATTI D-80 EX		
2	* 4408040140	SCHEDA D180 V1	7	* 4408041517	GIUNTA CELLULA D-65/80EX/+		
2	* 4408040141	SCHEDA D300 V1	7	* 4408041518	GIUNTA CELLULA D-100/150EX/+		
2	* 4408040143	SCHEDA D80+ V1	7	* 4408041519	GIUNTA CELLULA D-250/D-600EX/+		
2	* 4408040144	SCHEDA D120+ V1	8	* 4408041527	CELLA PORTAELETTRODI D-65/80 EX/+		
2	* 4408040145	SCHEDA D180+ V1	8	* 4408041528	CELLA PORTAELETTRODI D-100/120 EX/+		
2	* 4408040146	SCHEDA D300+ V1	8	* 4408041529	CELLA PORTAELETTRODI D-150 EX/+		

* SI FACCIA RIFERIMENTO AL FOGLIO DELLE OSSERVAZIONI

CODICE 35253, 35254, 35255, 35256, 35259, 35260, 35261, 35262, 45837, 45838, 45839, 45840

DESCRIZIONE: ELETTROLISI DA SALE E CONTROLLO PH D-65/D-300 EX/PLUS

3	* 4408040088	CAVO BNC 0,7	8	* 4408041530	CELLA PORTAELETTRODI D-250/300 EX/+
3	* 4408040089	CAVO BNC EXT-2 BNC A PVA 24V	9	* 4408041531	DISC METACRILATO D.158/10 MM. D-65/80E
4	* 4408041021	FILTRE 230V A-65/A-120 EX/PLUS	9	* 4408041532	DISC METACRILATO D.267/15 MM.. D-100/1€
9	* 4408041533	DISC METACRILATO D.267/15 MM. D-250/6€	15	* 60645	SONDA DI CLORO LIBERO
10	* 4408040604	PORTAELETTODO PE 12M/M. X 1/2"	16	* 60648	ELETTRODO COMBINATO PH
11	* 4408041537	FILTRO PORTA-SONDE LAVABILE	17	* 60649	ELETTRODO RX
12	* 4408041538	PORTA-SONDE E/S 1/2"	18	* 60646	ELETTROLITO
13	* 4408041541	SONDA DI FLUSSO INDUTTIVA	19	* 60632	SOLUZIONE TAMPONE PH 4,0 50 ML. (ROS)
14	* 60636	ELETTRODO AUTOPULENTI D-65/80 EX/+	20	* 60618	SOLUZIONE TAMPONE PH 7,0 50 M/L. (VER
14	* 60676	ELETTRODO AUTOPULENTI D-100/120 EX/	21	* 60633	SOLUZIONE CALIBRAZIONE 470MV.
14	* 60677	ELETTRODO AUTOPULENTI D-150 EX/+	22	* 60647	TAPPO MEMBRANA PER Sonda CLORO LI
14	* 60678	ELETTRODO AUTOPULENTI D-250/300 EX/			

CODICE 35253, 35254, 35255, 35256, 35259, 35260, 35261, 35262, 45837, 45838, 45839, 45840

DESCRIZIONE: ELETTROLISI DA SALE E CONTROLLO PH D-65/D-300 EX/PLUS

OSSERVAZIONI

POS	CODICE	OSSERVAZIONI
1	* 4408040148	PER: 35253, 35254, 35255, 35256, 35259, 35260, 35261, 35262 OLD MODEL
1	* 4408040149	PER: 45837, 45838, 45839, 45840 OLD MODEL
1	* 4408040455	PER: 35253, 35254, 35255, 35256, 35259, 35260, 35261, 35262 CURRENT MODEL
1	* 4408040456	PER: 45837, 45838, 45839, 45840 CURRENT MODEL
2	* 4408040138	PER: 35253
2	* 4408040139	PER: 35254
2	* 4408040140	PER: 35255
2	* 4408040141	PER: 35256
2	* 4408040143	PER: 35259, 45837
2	* 4408040144	PER: 35260, 45838
2	* 4408040145	PER: 35261, 45839
2	* 4408040146	PER: 35262, 45840
3	* 4408040088	PER: 35259, 35260, 35261, 35262, 45837, 45838, 45839, 45840
3	* 4408040089	PER: 45837, 45838, 45839, 45840
4	* 4408041021	PER: 35253, 35254, 35259, 35260, 45837, 45838
4	* 4408041609	PER: 35255, 35256, 35261, 35262, 45839, 45840
5	* 4408041410	PER: 35253, 35259, 45837
5	* 4408041534	PER: 35254, 35255, 35256, 35260, 35261, 35262, 45838, 45839, 45840
6	* 4408040077	PER: 35253, 35259, 45837
6	* 4408040078	PER: 35254, 35255, 35260, 35261, 45838, 45839
6	* 4408040079	PER: 35256, 35262, 45840
7	* 4408041517	PER: 35253, 35259, 45837
7	* 4408041518	PER: 35254, 35255, 35260, 35261, 45838, 45839
7	* 4408041519	PER: 35256, 35262, 45840
8	* 4408041527	PER: 35253, 35259, 45837
8	* 4408041528	PER: 35254, 35260, 45838
8	* 4408041529	PER: 35255, 35261, 45839
8	* 4408041530	PER: 35256, 35262, 45840
9	* 4408041531	PER: 35253, 35259, 45837
9	* 4408041532	PER: 35254, 35255, 35260, 35261, 45838, 45839
9	* 4408041533	PER: 35256, 35262, 45840
10	* 4408040604	PER: 35259, 35260, 35261, 35262, 45837, 45838, 45839, 45840
11	* 4408041537	PER: 45837, 45838, 45839, 45840
12	* 4408041538	PER: 45837, 45838, 45839, 45840
13	* 4408041541	PER: 45837, 45838, 45839, 45840
14	* 60636	PER: 35253, 35259, 45837
14	* 60676	PER: 35254, 35260, 45838
14	* 60677	PER: 35255, 35261, 45839
14	* 60678	PER: 35256, 35262, 45840
15	* 60645	PER: 45837, 45838, 45839, 45840
16	* 60648	PER: 35259, 35260, 35261, 35262, 45837, 45838, 45839, 45840
17	* 60649	PER: 35259, 35260, 35261, 35262
18	* 60646	PER: 45837, 45838, 45839, 45840

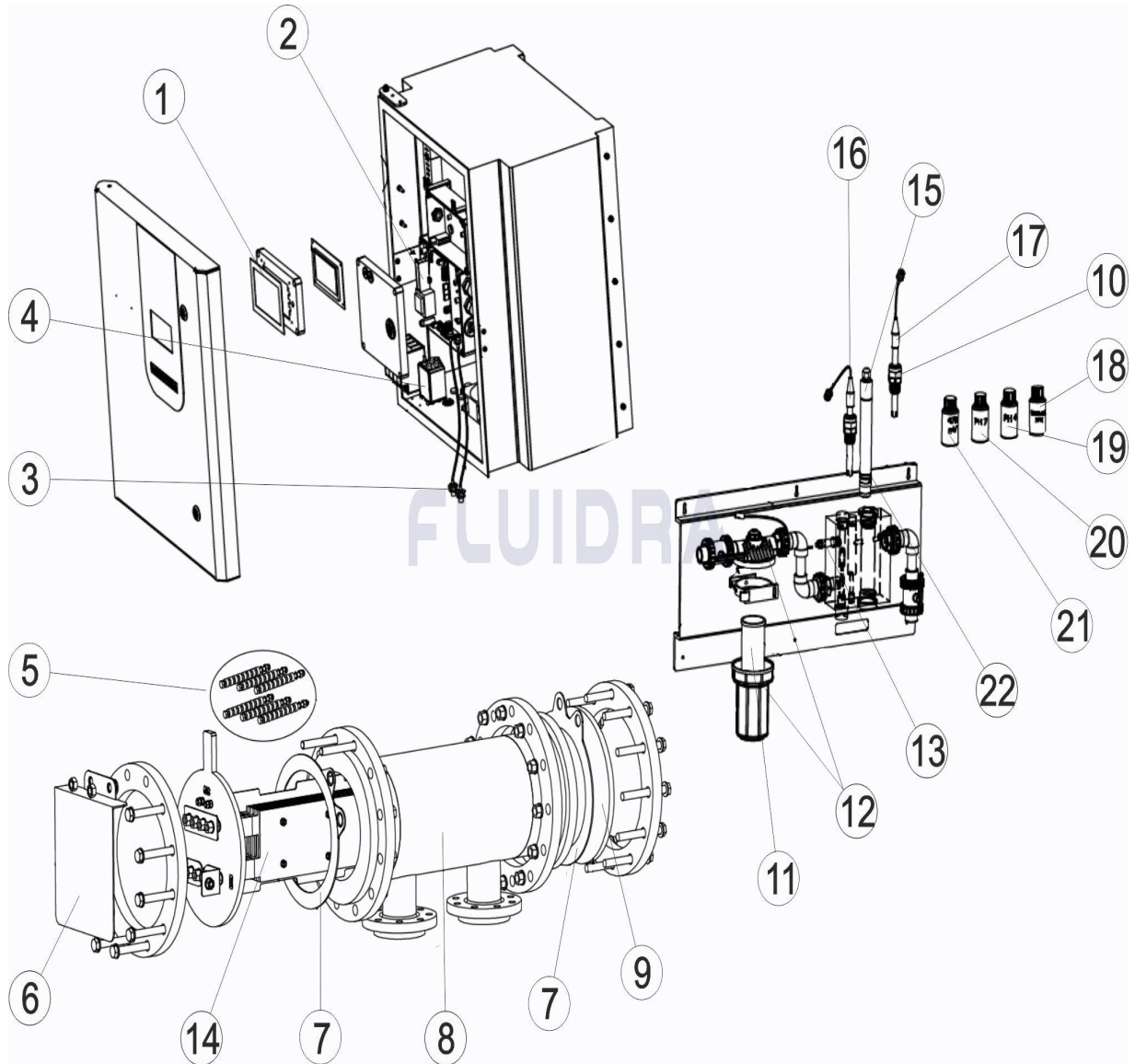
**CODICE 35253, 35254, 35255, 35256, 35259, 35260, 35261, 35262, 45837, 45838,
 45839, 45840**

DESCRIZIONE: ELETTROLISI DA SALE E CONTROLLO PH D-65/D-300 EX/PLUS

19	* 60632	PER: 35259, 35260, 35261, 35262, 45837, 45838, 45839, 45840
20	* 60618	PER: 35259, 35260, 35261, 35262, 45837, 45838, 45839, 45840
21	* 60633	PER: 35259, 35260, 35261, 35262
22	* 60647	PER: 45837, 45838, 45839, 45840

CODE 35253, 35254, 35255, 35256, 35259, 35260, 35261, 35262, 45837, 45838, 45839, 45840

BESCHREIBUNG: SALZELEKTROLYSE UND STEUERUNG PH D-65-D-300 EX-PLUS



DEUTSCH

POS	CODE	BESCHREIBUNG	MENGE	POS	CODE	BESCHREIBUNG	MENGE
1	* 4408040148	TOUCHSCREEN DV1 EX		4	* 4408041609	FILTER 380 V A-150/A-250/A-600 EX/PLUS	
1	* 4408040149	TOUCHSCREEN DV1 EX 2		5	* 4408041410	SET VERANKERUNGSSCHRAUBEN ELEKTI	
1	* 4408040455	TOUCHSCREEN EX V2		5	* 4408041534	SET VERANKERUNGSSCHRAUBEN ELEKTI	
1	* 4408040456	TOUCHSCREEN PH PPM V2		6	* 4408040077	KONTAKTSCHUTZ D-80 EX	
2	* 4408040138	STEUERPLATINE D80 V1		6	* 4408040078	KONTAKTSCHUTZ D-120/180	
2	* 4408040139	STEUERPLATINE D120 V1		6	* 4408040079	KONTAKTSCHUTZ D-300/600	
2	* 4408040140	STEUERPLATINE D180 V1		7	* 4408041517	DICHTUNG FLANSCH ZELLE D-65/80EX/+	
2	* 4408040141	STEUERPLATINE D300 V1		7	* 4408041518	DICHTUNG FLANSCH ZELLE D-100/150EX/+	
2	* 4408040143	STEUERPLATINE D80+ V1		7	* 4408041519	DICHTUNG FLANSCH ZELLE D-250/600EX/+	
2	* 4408040144	STEUERPLATINE D120+ V1		8	* 4408041527	ELEKTRODENZELLE D-65/80EX/+	
2	* 4408040145	STEUERPLATINE D180+ V1		8	* 4408041528	ELEKTRODENZELLE D-100/120EX/+	
2	* 4408040146	STEUERPLATINE D300+ V1		8	* 4408041529	ELEKTRODENZELLE D-150EX/+	

CODE **35253, 35254, 35255, 35256, 35259, 35260, 35261, 35262, 45837, 45838, 45839, 45840**

BESCHREIBUNG: **SALZELEKTROLYSE UND STEUERUNG PH D-65-D-300 EX-PLUS**

3	* 4408040088	SCHLAUCHLEITUNG BNC 0,7 AUSSEN	8	* 4408041530	ELEKTRODENZELLE D-250/300EX/+
3	* 4408040089	SCHLAUCHLEITUNG BNC EXT-2 BNC A PV	9	* 4408041531	SCHEIBE PLEXIGLAS D. 158/10 MM D-65/80
4	* 4408041021	FILTER 230 V A-65/A-120 EX/PLUS	9	* 4408041532	SCHEIBE PLEXIGLAS D. 267/15 MM D-100/1
9	* 4408041533	SCHEIBE PLEXIGLAS D. 320/15 MM D-250/€	15	* 60645	FREICHLORMESSER
10	* 4408040604	ELEKTRODENSITZ PE 12 MM-1/2"	16	* 60648	ELEKTRODE KOMBINIERT PH
11	* 4408041537	SONDENHALTERUNG FILTER WASCHBAR	17	* 60649	ORP-ELEKTRODE
12	* 4408041538	SONDENHALTERUNG E/S 1/2"	18	* 60646	ELEKTROLYT ECC1/GEL SONDE CL
13	* 4408041541	INDUKTIVER DURCHFLUSSMESSER	19	* 60632	PUFFER PH 4,0 50 ML (ROT)
14	* 60636	ELEKTRODE SELBSTREINIGEND D-65/80 E	20	* 60618	PUFFER PH 7,0 50 M/L (GRÜN)
14	* 60676	ELEKTRODE SELBSTREINIGEND D-100/12l	21	* 60633	KALIBRIERLÖSUNG 47 0MV
14	* 60677	ELEKTRODE SELBSTREINIGEND D-150 EX	22	* 60647	KOPFSTÜCK MEMBRAN FREICHLORMESSI
14	* 60678	ELEKTRODE SELBSTREINIGEND D-250/30l			

CODE **35253, 35254, 35255, 35256, 35259, 35260, 35261, 35262, 45837, 45838, 45839, 45840**

BESCHREIBUNG: **SALZELEKTROLYSE UND STEUERUNG PH D-65-D-300 EX-PLUS**

HINWEISE

POS	CODE	HINWEISE
1	* 4408040148	FÜR: 35253, 35254, 35255, 35256, 35259, 35260, 35261, 35262 OLD MODEL
1	* 4408040149	FÜR: 45837, 45838, 45839, 45840 OLD MODEL
1	* 4408040455	FÜR: 35253, 35254, 35255, 35256, 35259, 35260, 35261, 35262 CURRENT MODEL
1	* 4408040456	FÜR: 45837, 45838, 45839, 45840 CURRENT MODEL
2	* 4408040138	FÜR: 35253
2	* 4408040139	FÜR: 35254
2	* 4408040140	FÜR: 35255
2	* 4408040141	FÜR: 35256
2	* 4408040143	FÜR: 35259, 45837
2	* 4408040144	FÜR: 35260, 45838
2	* 4408040145	FÜR: 35261, 45839
2	* 4408040146	FÜR: 35262, 45840
3	* 4408040088	FÜR: 35259, 35260, 35261, 35262, 45837, 45838, 45839, 45840
3	* 4408040089	FÜR: 45837, 45838, 45839, 45840
4	* 4408041021	FÜR: 35253, 35254, 35259, 35260, 45837, 45838
4	* 4408041609	FÜR: 35255, 35256, 35261, 35262, 45839, 45840
5	* 4408041410	FÜR: 35253, 35259, 45837
5	* 4408041534	FÜR: 35254, 35255, 35256, 35260, 35261, 35262, 45838, 45839, 45840
6	* 4408040077	FÜR: 35253, 35259, 45837
6	* 4408040078	FÜR: 35254, 35255, 35260, 35261, 45838, 45839
6	* 4408040079	FÜR: 35256, 35262, 45840
7	* 4408041517	FÜR: 35253, 35259, 45837
7	* 4408041518	FÜR: 35254, 35255, 35260, 35261, 45838, 45839
7	* 4408041519	FÜR: 35256, 35262, 45840
8	* 4408041527	FÜR: 35253, 35259, 45837
8	* 4408041528	FÜR: 35254, 35260, 45838
8	* 4408041529	FÜR: 35255, 35261, 45839
8	* 4408041530	FÜR: 35256, 35262, 45840
9	* 4408041531	FÜR: 35253, 35259, 45837
9	* 4408041532	FÜR: 35254, 35255, 35260, 35261, 45838, 45839
9	* 4408041533	FÜR: 35256, 35262, 45840
10	* 4408040604	FÜR: 35259, 35260, 35261, 35262, 45837, 45838, 45839, 45840
11	* 4408041537	FÜR: 45837, 45838, 45839, 45840
12	* 4408041538	FÜR: 45837, 45838, 45839, 45840
13	* 4408041541	FÜR: 45837, 45838, 45839, 45840
14	* 60636	FÜR: 35253, 35259, 45837
14	* 60676	FÜR: 35254, 35260, 45838
14	* 60677	FÜR: 35255, 35261, 45839
14	* 60678	FÜR: 35256, 35262, 45840
15	* 60645	FÜR: 45837, 45838, 45839, 45840
16	* 60648	FÜR: 35259, 35260, 35261, 35262, 45837, 45838, 45839, 45840
17	* 60649	FÜR: 35259, 35260, 35261, 35262
18	* 60646	FÜR: 45837, 45838, 45839, 45840

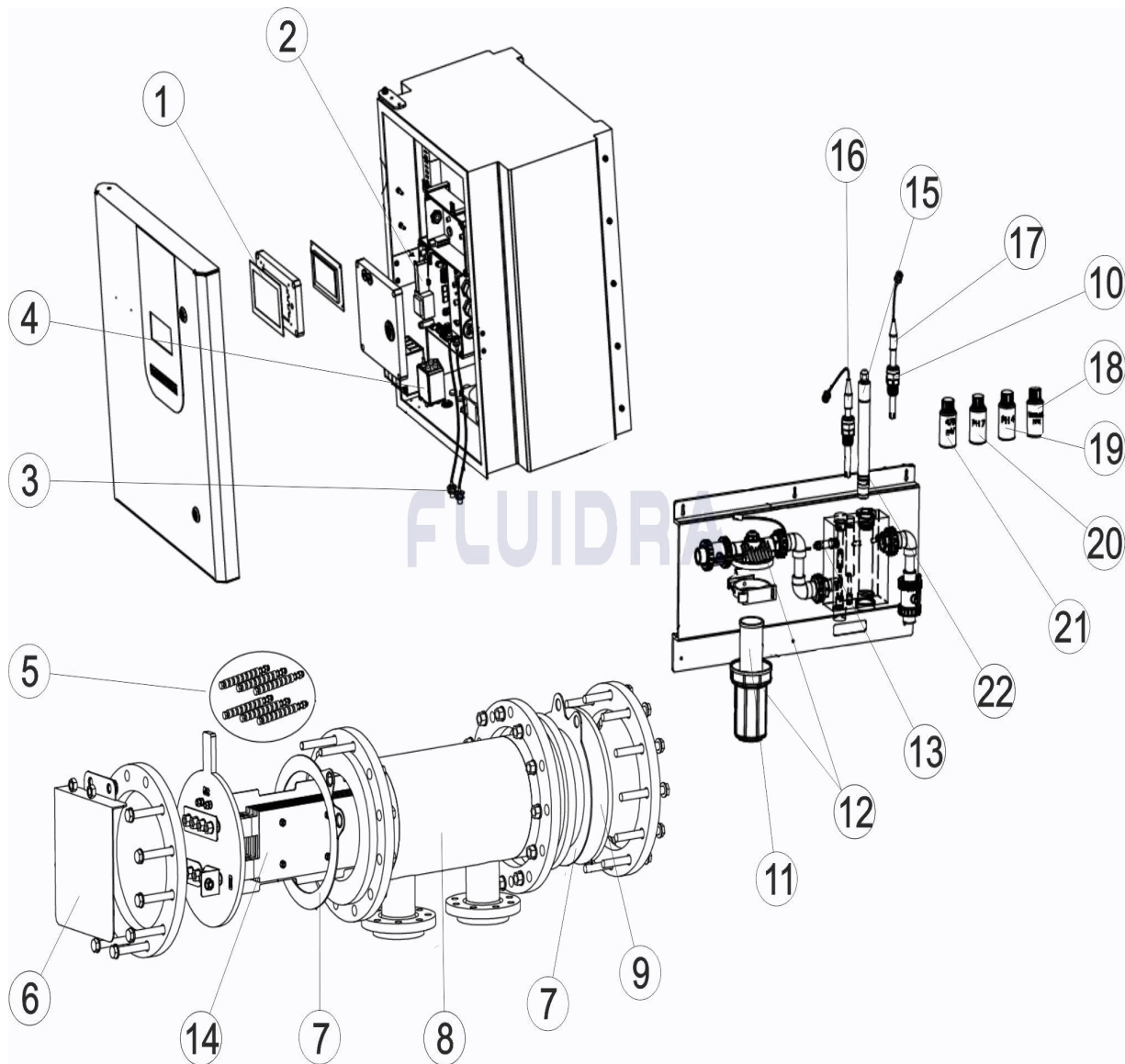
CODE **35253, 35254, 35255, 35256, 35259, 35260, 35261, 35262, 45837, 45838, 45839, 45840**

BESCHREIBUNG: **SALZELEKTROLYSE UND STEUERUNG PH D-65-D-300 EX-PLUS**

19	* 60632	FÜR: 35259, 35260, 35261, 35262, 45837, 45838, 45839, 45840
20	* 60618	FÜR: 35259, 35260, 35261, 35262, 45837, 45838, 45839, 45840
21	* 60633	FÜR: 35259, 35260, 35261, 35262
22	* 60647	FÜR: 45837, 45838, 45839, 45840

CODIGO 35253, 35254, 35255, 35256, 35259, 35260, 35261, 35262, 45837, 45838, 45839, 45840

DESCRICAÇÃO: ELECTRÓLISE DE SAL E CONTROLO PH D-65/D-300 EX/PLUS



PORTUGUES

POS	CODIGO	DESCRICAÇÃO	JANTIDADE	POS	CODIGO	DESCRICAÇÃO	JANTIDADE
1	* 4408040148	PLACA VISUALIZAÇÃO ELECTRÓLISE DV1	4	* 4408041609	FILTRO 380V A-150/A-250/A-600 EX/PLUS		
1	* 4408040149	PLACA VISUALIZAÇÃO ELECTRÓLISE DV1	5	* 4408041410	CJTO.PARAFUSOS DE FIXAÇÃO DE ELECTI		
1	* 4408040455	PLACA VISUALIZAÇÃO ELECTRÓLISE EX V	5	* 4408041534	CJTO.PARAFUSOS DE FIXAÇÃO DE ELECTI		
1	* 4408040456	PLACA VISUALIZAÇÃO ELECTRÓLISE PH F	6	* 4408040077	PROTECTOR CONTACTOS D-80 EX		
2	* 4408040138	PLACA CONTROLO D80 V1	6	* 4408040078	PROTECTOR CONTACTOS D-80 EX		
2	* 4408040139	PLACA CONTROLO D120 V1	6	* 4408040079	PROTECTOR CONTACTOS D-80 EX		
2	* 4408040140	PLACA CONTROLO D180 V1	7	* 4408041517	JUNTA CELULA D-65/80EX/+		
2	* 4408040141	PLACA CONTROLO D300 V1	7	* 4408041518	JUNTA CELULA D-100/D-150EX/+		
2	* 4408040143	PLACA CONTROLO D80+ V1	7	* 4408041519	JUNTA CELULA D-250/D-600EX/+		
2	* 4408040144	PLACA CONTROLO D120+ V1	8	* 4408041527	VASO PORTA-ELECTRODOS D-65/80 EX/+		
2	* 4408040145	PLACA CONTROLO D180+ V1	8	* 4408041528	VASO PORTA-ELECTRODOS D-100/120 EX/-		
2	* 4408040146	PLACA CONTROLO D300+ V1	8	* 4408041529	VASO PORTA-ELECTRODOS D-150 EX/+		

CODIGO 35253, 35254, 35255, 35256, 35259, 35260, 35261, 35262, 45837, 45838, 45839, 45840

DESCRIÇÃO: ELECTRÓLISE DE SAL E CONTROLO PH D-65/D-300 EX/PLUS

3	* 4408040088	CABO BNC 0,7	8	* 4408041530	VASO PORTA-ELECTRODOS D-250/300 EX/
3	* 4408040089	CABO BNC EXT-2 BNC A PVA 24V	9	* 4408041531	DISCO METACRILATO D.158/10 MM. D-65/8C
4	* 4408041021	FILTRO 230V A-65/A-120 EX/PLUS	9	* 4408041532	DISCO METACRILATO D.267/15 MM.. D-100/
9	* 4408041533	DISCO METACRILATO D.320/15 MM. D-250/	15	* 60645	SONDA DE CLORO LIVRE
10	* 4408040604	PORTAELECTRODOS PE 12M/M-1/2"	16	* 60648	ELECTRODO COMBINADO PH
11	* 4408041537	FILTRO PORTA-SONDAS LAVÁVEL	17	* 60649	ELECTRODO ORP
12	* 4408041538	PORTA-SONDAS E/S 1/2"	18	* 60646	ELECTROLITO
13	* 4408041541	SONDA DE CAUDAL INDUTIVA	19	* 60632	SOLUÇÃO TAMPÃO PH 4,0 50 ML. (VERMEL
14	* 60636	ELECTRODO AUTO-LIMPANT. D-65 EX/+	20	* 60618	SOLUÇÃO TAMPÃO PH 7,0 50 M/L. (VERDE)
14	* 60676	ELECTRODO AUTO-LIMPANT. D-100 EX/+	21	* 60633	SOLUÇÃO TAMPÃO 470 MV
14	* 60677	ELECTRODO AUTO-LIMPANT. D-150 EX/+	22	* 60647	CÁPSULA MEMBRANA PARA SONDA CLORC
14	* 60678	ELECTRODO AUTO-LIMPANT. D-250 EX/+			

CODIGO 35253, 35254, 35255, 35256, 35259, 35260, 35261, 35262, 45837, 45838, 45839, 45840

DESCRIÇÃO: ELECTRÓLISE DE SAL E CONTROLO PH D-65/D-300 EX/PLUS

OBSERVAÇÕES

POS	CODIGO	OBSERVAÇÕES
1	* 4408040148	PARA: 35253, 35254, 35255, 35256, 35259, 35260, 35261, 35262 OLD MODEL
1	* 4408040149	PARA: 45837, 45838, 45839, 45840 OLD MODEL
1	* 4408040455	PARA: 35253, 35254, 35255, 35256, 35259, 35260, 35261, 35262 CURRENT MODEL
1	* 4408040456	PARA: 45837, 45838, 45839, 45840 CURRENT MODEL
2	* 4408040138	PARA: 35253
2	* 4408040139	PARA: 35254
2	* 4408040140	PARA: 35255
2	* 4408040141	PARA: 35256
2	* 4408040143	PARA: 35259, 45837
2	* 4408040144	PARA: 35260, 45838
2	* 4408040145	PARA: 35261, 45839
2	* 4408040146	PARA: 35262, 45840
3	* 4408040088	PARA: 35259, 35260, 35261, 35262, 45837, 45838, 45839, 45840
3	* 4408040089	PARA: 45837, 45838, 45839, 45840
4	* 4408041021	PARA: 35253, 35254, 35259, 35260, 45837, 45838
4	* 4408041609	PARA: 35255, 35256, 35261, 35262, 45839, 45840
5	* 4408041410	PARA: 35253, 35259, 45837
5	* 4408041534	PARA: 35254, 35255, 35256, 35260, 35261, 35262, 45838, 45839, 45840
6	* 4408040077	PARA: 35253, 35259, 45837
6	* 4408040078	PARA: 35254, 35255, 35260, 35261, 45838, 45839
6	* 4408040079	PARA: 35256, 35262, 45840
7	* 4408041517	PARA: 35253, 35259, 45837
7	* 4408041518	PARA: 35254, 35255, 35260, 35261, 45838, 45839
7	* 4408041519	PARA: 35256, 35262, 45840
8	* 4408041527	PARA: 35253, 35259, 45837
8	* 4408041528	PARA: 35254, 35260, 45838
8	* 4408041529	PARA: 35255, 35261, 45839
8	* 4408041530	PARA: 35256, 35262, 45840
9	* 4408041531	PARA: 35253, 35259, 45837
9	* 4408041532	PARA: 35254, 35255, 35260, 35261, 45838, 45839
9	* 4408041533	PARA: 35256, 35262, 45840
10	* 4408040604	PARA: 35259, 35260, 35261, 35262, 45837, 45838, 45839, 45840
11	* 4408041537	PARA: 45837, 45838, 45839, 45840
12	* 4408041538	PARA: 45837, 45838, 45839, 45840
13	* 4408041541	PARA: 45837, 45838, 45839, 45840
14	* 60636	PARA: 35253, 35259, 45837
14	* 60676	PARA: 35254, 35260, 45838
14	* 60677	PARA: 35255, 35261, 45839
14	* 60678	PARA: 35256, 35262, 45840
15	* 60645	PARA: 45837, 45838, 45839, 45840
16	* 60648	PARA: 35259, 35260, 35261, 35262, 45837, 45838, 45839, 45840
17	* 60649	PARA: 35259, 35260, 35261, 35262
18	* 60646	PARA: 45837, 45838, 45839, 45840

CODIGO 35253, 35254, 35255, 35256, 35259, 35260, 35261, 35262, 45837, 45838, 45839, 45840

DESCRIÇÃO: ELECTRÓLISE DE SAL E CONTROLO PH D-65/D-300 EX/PLUS

19	* 60632	PARA: 35259, 35260, 35261, 35262, 45837, 45838, 45839, 45840
20	* 60618	PARA: 35259, 35260, 35261, 35262, 45837, 45838, 45839, 45840
21	* 60633	PARA: 35259, 35260, 35261, 35262
22	* 60647	PARA: 45837, 45838, 45839, 45840