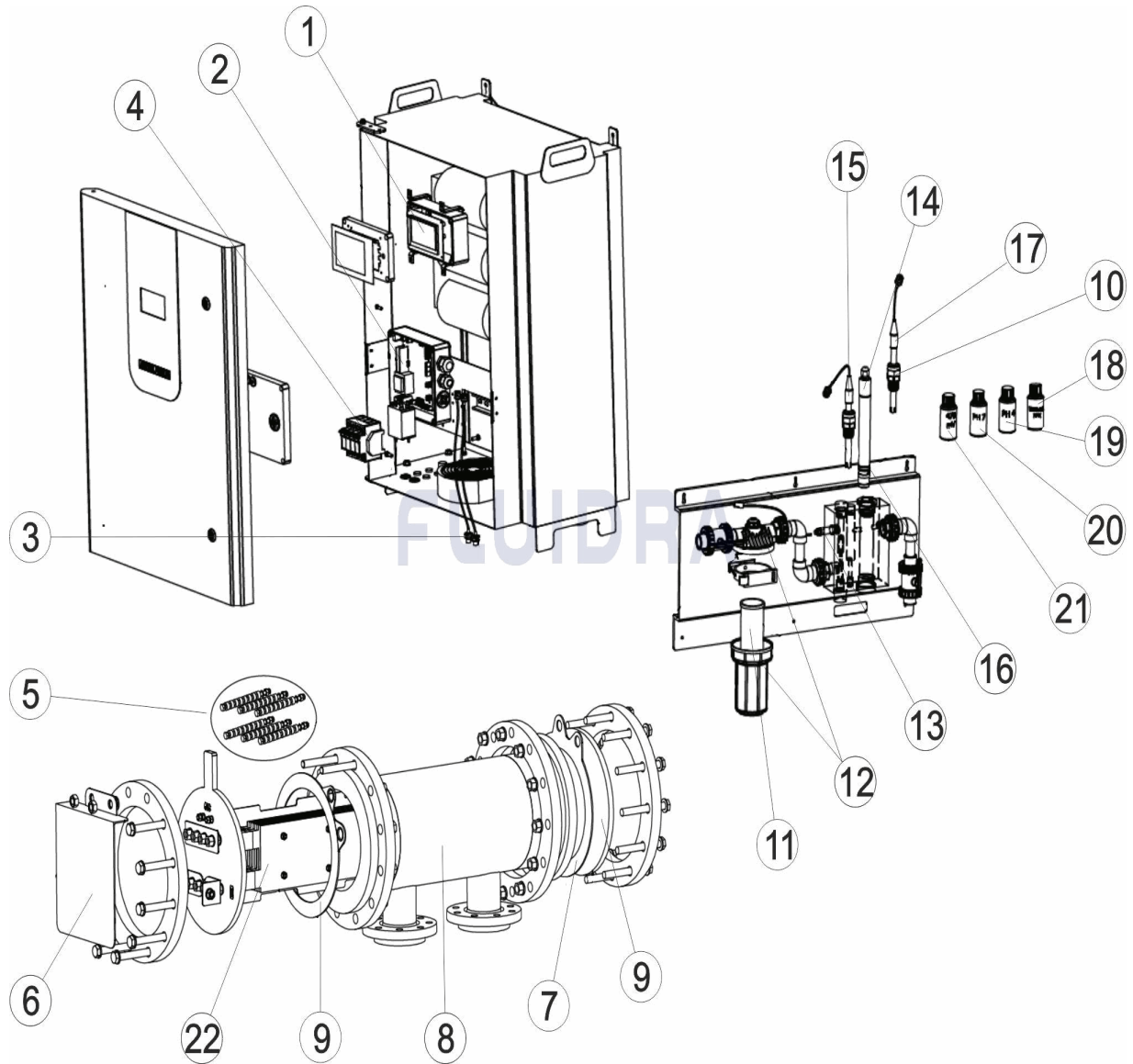


CODIGO **35257, 35263, 45841**

DESCRIPCION: **ELECTROLISIS DE SAL Y CONTROL PH D-500/600 EX/PLUS**



**ESPAÑOL**

POS	CODIGO	DESCRIPCION	CANTIDAD	POS	CODIGO	DESCRIPCION	CANTIDAD
1	* 4408040148	TARGETA VISUALIZADORA TACTIL DV1 EX		10	* 4408040604	PORTAELECTRODOS PE 12M/M-1/2"	
1	* 4408040149	TARGETA VISUALIZADORA TACTIL DV1 EX:		11	* 4408041537	FILTRO PORTASONDAS LAVABLE	
1	* 4408040455	TARGETA VISUALIZADORA TACTIL EX V2		12	* 4408041538	PORTASONDAS E/S 1/2"	
1	* 4408040456	TARGETA VISUALIZADORA TACTIL PH PPM		13	* 4408041541	SENSOR INDUCTIVO DE CAUDAL	
2	* 4408040142	PLACA CONTROL D600 V1		14	* 60645	SENSOR CLORO LIBRE	
2	* 4408040147	PLACA CONTROL D600+ V1		15	* 60648	ELECTRODO COMBINADO PH	
3	* 4408040089	LATIGUILLO BNC EXT-2 BNC A PVA 24V		16	* 60647	CABEZAL MEMBRANA SENSOR CLORO LIB	
4	4408041609	FILTRO 380V A-150/A-250/A-600 EX/PLUS		17	* 60649	ELECTRODO ORP	
5	4408041534	CJTO. TORNILLOS ANCLAJE ELECTRODOS		18	* 60646	ELECTROLITO ECC1/GEL SONDA CL	
6	4408040079	PROTECTOR CONTACTOS D-300/600		19	* 60632	TAMPON PH 4,0 50 ML. (ROJO)	
7	4408041519	JUNTA BRIDA CELULA D-250/600EX/+		20	* 60618	TAMPON PH 7,0 50 M/L. (VERDE)	
8	4408041530	CELULA PORTA ELECTRODOS D-250/300E		21	* 60633	SOLUCION CALIBRACION 470MV.	
9	4408041533	DISCO METACRILATO D.320/15 MM. D-250/		22	* 60679	ELECTRODO AUTO-LIMPIANTE D-500/600 E	

**CODIGO 35257, 35263, 45841**

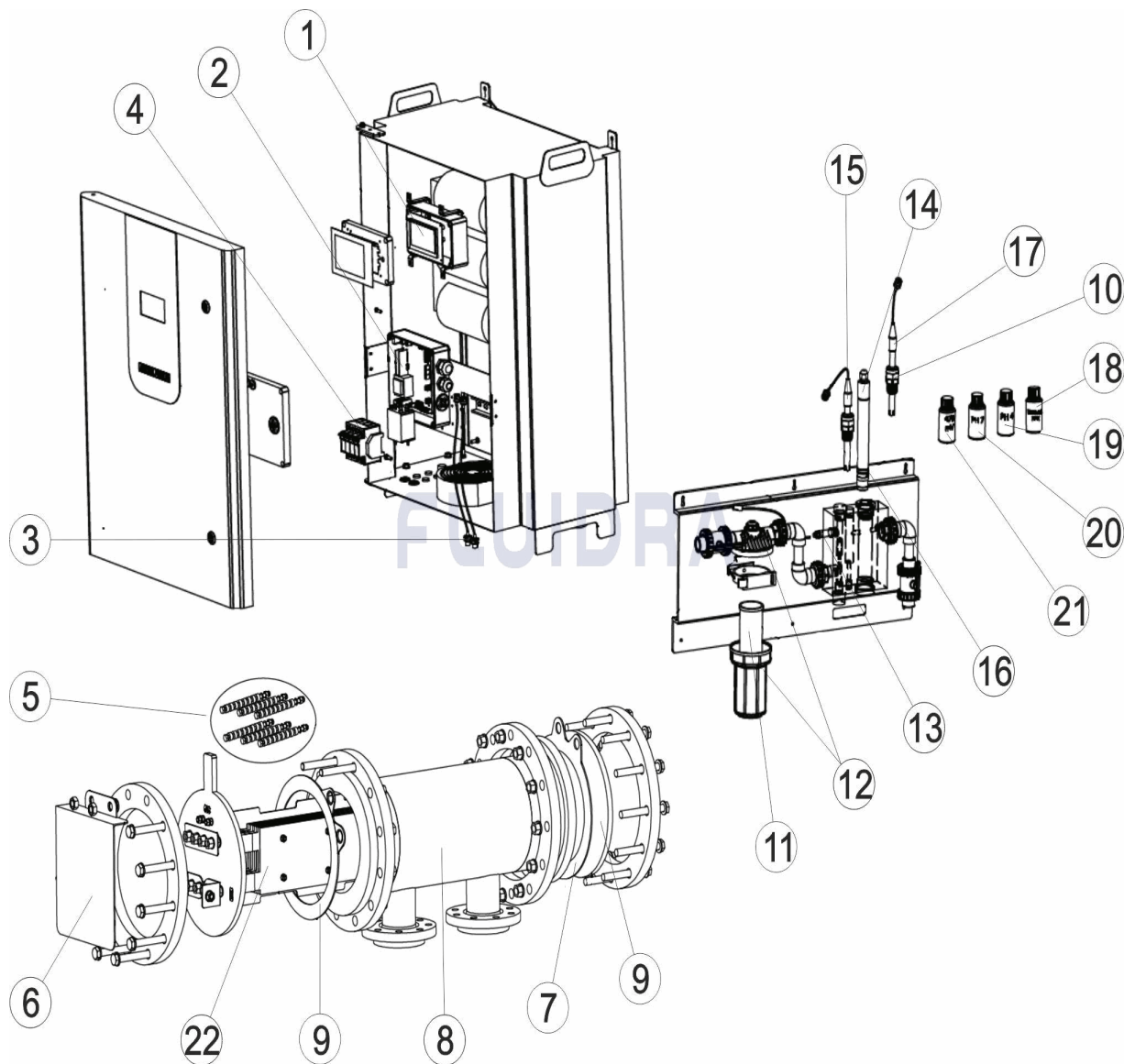
**DESCRIPCION: ELECTROLISIS DE SAL Y CONTROL PH D-500/600 EX/PLUS**

## OBSERVACIONES

POS	CODIGO	OBSERVACIONES
1	* 4408040148	PARA: 35257, 35263 OLD MODEL
1	* 4408040149	PARA: 45841 OLD MODEL
1	* 4408040455	PARA: 35257, 35263 CURRENT MODEL
1	* 4408040456	PARA: 45841 CURRENT MODEL
2	* 4408040142	PARA: 35257
2	* 4408040147	PARA: 35263, 45841
3	* 4408040089	PARA: 45841
10	* 4408040604	PARA: 35263, 45841
11	* 4408041537	PARA: 45841
12	* 4408041538	PARA: 45841
13	* 4408041541	PARA: 45841
14	* 60645	PARA: 45841
15	* 60648	PARA: 35263, 45841
16	* 60647	PARA: 45841
17	* 60649	PARA: 35263
18	* 60646	PARA: 45841
19	* 60632	PARA: 35263, 45841
20	* 60618	PARA: 35263, 45841
21	* 60633	PARA: 35263
22	* 60679	PARA: 35263, 45841

CODE 35257, 35263, 45841

DESCRIPTION: ÉLECTROLYSE AU SEL ET CONTRÔLE PH D-500/600 EX/PLUS



FRANCAIS

POS	CODE	DESCRIPTION	QUANTITE	POS	CODE	DESCRIPTION	QUANTITE
1	* 4408040148	CARTE AFFICHEUR ÉLECTROLYSE DV1 E)		10	* 4408040604	PORTE-ÉLECTRODE PE 12M/M. 1/2"	
1	* 4408040149	CARTE AFFICHEUR ÉLECTROLYSE DV1 E)		11	* 4408041537	FILTRE PORTE-SONDES LAVABLE	
1	* 4408040455	CARTE AFFICHEUR ÉLECTROLYSE EX V2		12	* 4408041538	PORTE-SONDES E/S 1/2"	
1	* 4408040456	CARTE AFFICHEUR ÉLECTROLYSE PH PPI		13	* 4408041541	SONDE DE DÉBIT INDUCTIVE	
2	* 4408040142	PLAQUE CONTRÔLE D600 V1		14	* 60645	SONDE DE CHLORE LIBRE	
2	* 4408040147	PLAQUE CONTRÔLE D600+ V1		15	* 60648	ELECTRODE COMBINÉE PH	
3	* 4408040089	CÂBLE BNC EXT-2 BNC A PVA 24V		16	* 60647	CAPSULE MEMBRANE POUR SONDE CHLC	
4	4408041609	FILTRE 380V A-150/A-250/A-600 EX/PLUS		17	* 60649	ELECTRODE ORP	
5	4408041534	KIT DE VIS POUR FIXATION D'ÉLECTRODE		18	* 60646	ELECTROLYTE	
6	4408040079	PROTECTEUR CONTACTS D-80 EX		19	* 60632	TAMPON PH 4,0 50 ML. (ROUGE)	
7	4408041519	JOINT CELLULE D-250/D-600EX/+		20	* 60618	TAMPON PH 7,0 50 M/L. (VERT)	
8	4408041530	CELLULE PORTE-ÉLECTRODE D-250/300 E		21	* 60633	SOLUTION CALIBRAGE 470 MV	
9	4408041533	DISQUE EN METACRYLATE D.320/15 MM. C		22	* 60679	ELECTRODE AUTO-NETTOYANTE D-250/300	

CODE **35257, 35263, 45841**

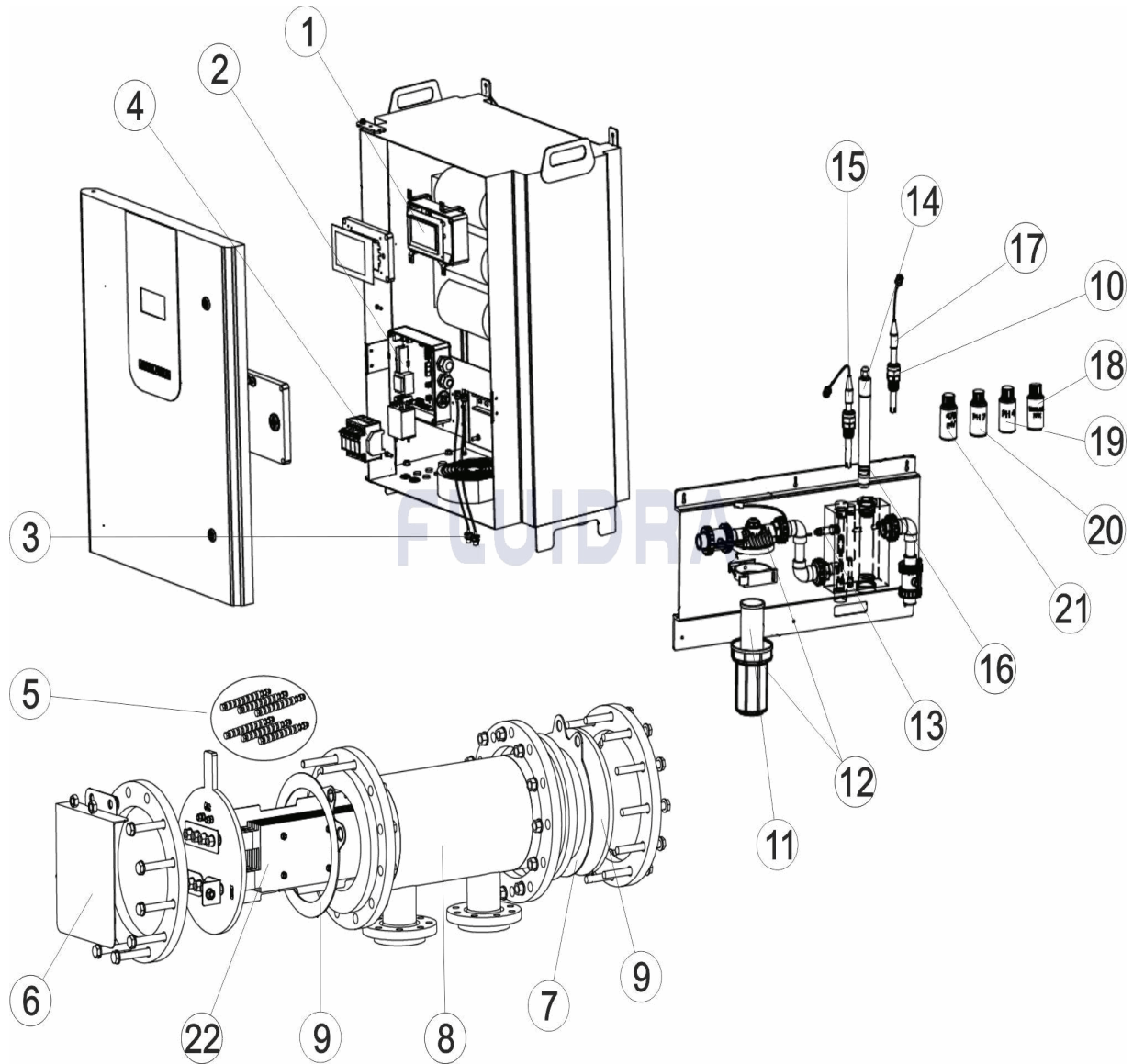
DESCRIPTION: **ÉLECTROLYSE AU SEL ET CONTRÔLE PH D-500/600 EX/PLUS**

## OBSERVATIONS

POS	CODE	OBSERVATIONS
1	* 4408040148	POUR: 35257, 35263 OLD MODEL
1	* 4408040149	POUR: 45841 OLD MODEL
1	* 4408040455	POUR: 35257, 35263 CURRENT MODEL
1	* 4408040456	POUR: 45841 CURRENT MODEL
2	* 4408040142	POUR: 35257
2	* 4408040147	POUR: 35263, 45841
3	* 4408040089	POUR: 45841
10	* 4408040604	POUR: 35263, 45841
11	* 4408041537	POUR: 45841
12	* 4408041538	POUR: 45841
13	* 4408041541	POUR: 45841
14	* 60645	POUR: 45841
15	* 60648	POUR: 35263, 45841
16	* 60647	POUR: 45841
17	* 60649	POUR: 35263
18	* 60646	POUR: 45841
19	* 60632	POUR: 35263, 45841
20	* 60618	POUR: 35263, 45841
21	* 60633	POUR: 35263
22	* 60679	POUR: 35263, 45841

CODE **35257, 35263, 45841**

DESCRIPTION: **SALT ELECTROLYSIS AND PH CONTROL D-500/600 EX/PLUS**



**ENGLISH**

POS	CODE	DESCRIPTION	QUANTITY	POS	CODE	DESCRIPTION	QUANTITY
1	* 4408040148	DV1 EX ELECTROLYSIS VIEWER CARD		10	* 4408040604	ELECTRODE CARRIER PE 12M/M.-1/2"	
1	* 4408040149	DV1 EX2 ELECTROLYSIS VIEWER CARD		11	* 4408041537	WASHABLE MAXIM CELL FILTER	
1	* 4408040455	EX V2 ELECTROLYSIS VIEWER CARD		12	* 4408041538	MAXIM CELL E/S 1/2"	
1	* 4408040456	PH PPM V2 ELECTROLYSIS VIEWER CARD		13	* 4408041541	INDUCTIVE FLOW SENSOR	
2	* 4408040142	ELECTRONIC CARD D600 V1		14	* 60645	FREE CHLORINE SENSOR	
2	* 4408040147	ELECTRONIC CARD D600+ V1		15	* 60648	ELECTRODE PH	
3	* 4408040089	EXT-2 BNC A PVA 24V CABLE		16	* 60647	MEMBRANE CAP FOR FREE CHLORINE SEI	
4	4408041609	FILTER 380V A-150/A-250/A-600 EX/PLUS		17	* 60649	ORP ELECTRODE	
5	4408041534	SCREW KIT FOR ELECTRODE FIXATION D.		18	* 60646	ELECTROLITE	
6	4408040079	CONTAC PROTECTION D-80 EX		19	* 60632	CALIBRATION SOLUTION PH 4,0 50 ML. (RE	
7	4408041519	CELL GASKET D-250/D-600EX/+		20	* 60618	CALIBRATION SOLUTION PH 7,0 50 M/L. (GF	
8	4408041530	ELECTRODE CELL D-250/300 EX/+		21	* 60633	CALIBRATION SOLUTION ORP 470 MV	
9	4408041533	METHACRYLATE DISK D.320/15 MM. D-250.		22	* 60679	SELF-CLEANING D-250/300 EX/+	

CODE                    **35257, 35263, 45841**

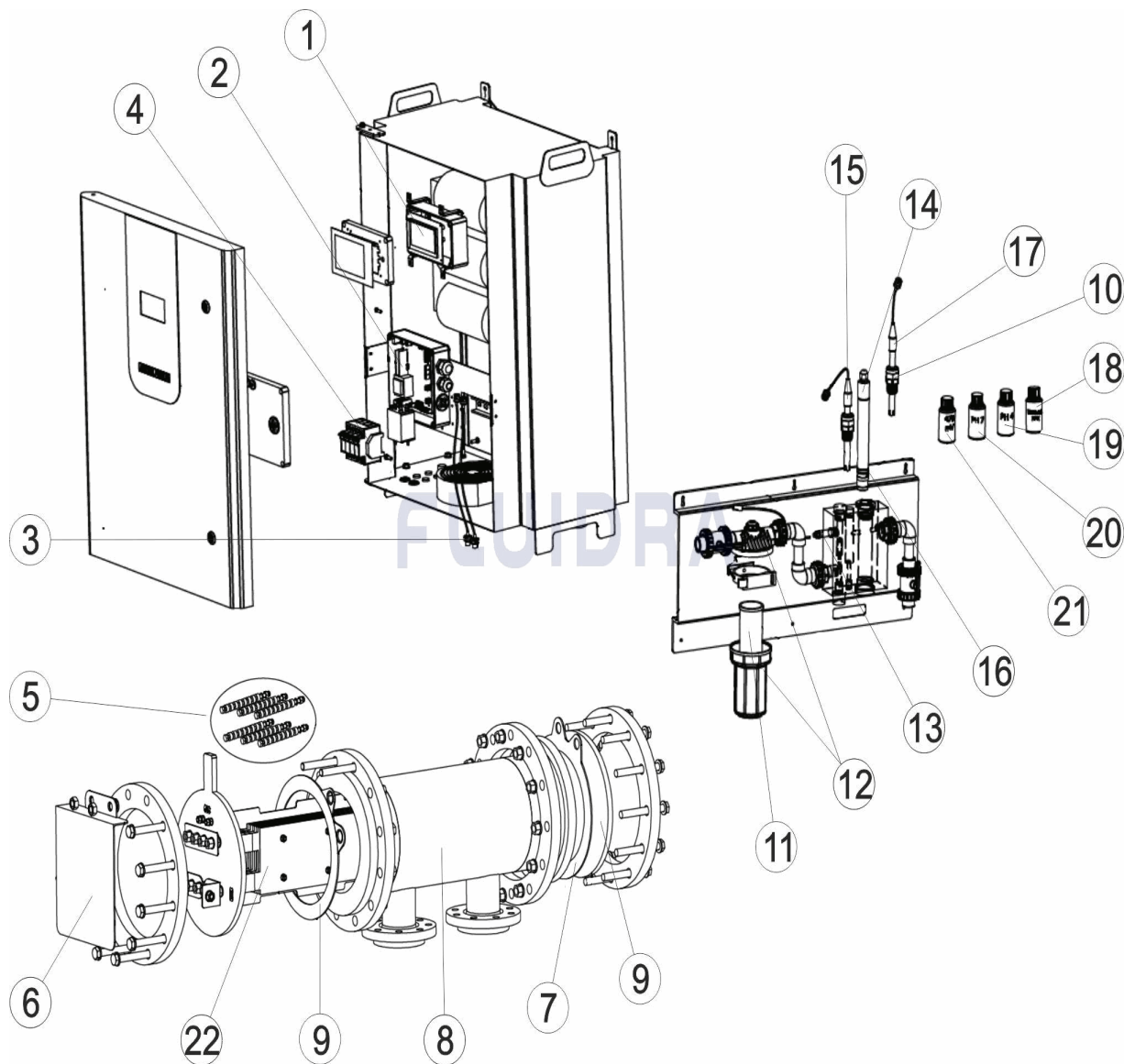
DESCRIPTION: **SALT ELECTROLYSIS AND PH CONTROL D-500/600 EX/PLUS**

## OBSERVATIONS

POS	CODE	OBSERVATIONS
1	* 4408040148	FOR: 35257, 35263 OLD MODEL
1	* 4408040149	FOR: 45841 OLD MODEL
1	* 4408040455	FOR: 35257, 35263 CURRENT MODEL
1	* 4408040456	FOR: 45841 CURRENT MODEL
2	* 4408040142	FOR: 35257
2	* 4408040147	FOR: 35263, 45841
3	* 4408040089	FOR: 45841
10	* 4408040604	FOR: 35263, 45841
11	* 4408041537	FOR: 45841
12	* 4408041538	FOR: 45841
13	* 4408041541	FOR: 45841
14	* 60645	FOR: 45841
15	* 60648	FOR: 35263, 45841
16	* 60647	FOR: 45841
17	* 60649	FOR: 35263
18	* 60646	FOR: 45841
19	* 60632	FOR: 35263, 45841
20	* 60618	FOR: 35263, 45841
21	* 60633	FOR: 35263
22	* 60679	FOR: 35263, 45841

CODICE 35257, 35263, 45841

DESCRIZIONE: ELETTROLISI DA SALE E CONTROLLO PH D-500/600 EX/PLUS



ITALIANO

POS	CODICE	DESCRIZIONE	QUANTITA'	POS	CODICE	DESCRIZIONE	QUANTITA'
1	* 4408040148	SCHEDA VISORE ELETTROLISI DV1 EX		10	* 4408040604	PORTAELETTODO PE 12M/M. X 1/2"	
1	* 4408040149	SCHEDA VISORE ELETTROLISI DV1 EX2		11	* 4408041537	FILTRO PORTA-SONDE LAVABILE	
1	* 4408040455	SCHEDA VISORE ELETTROLISI EX V2		12	* 4408041538	PORTA-SONDE E/S 1/2"	
1	* 4408040456	SCHEDA VISORE ELETTROLISI PH PPM V2		13	* 4408041541	SONDA DI FLUSSO INDUTTIVA	
2	* 4408040142	SCHEDA D600 V1		14	* 60645	SONDA DI CLORO LIBERO	
2	* 4408040147	SCHEDA D600+ V1		15	* 60648	ELETTRODO COMBINATO PH	
3	* 4408040089	CAVO BNC EXT-2 BNC A PVA 24V		16	* 60647	TAPPO MEMBRANA PER SONDA CLORO LI	
4	4408041609	FILTRE 380V A-150/A-250/A-600 EX/PLUS		17	* 60649	ELETTRODO RX	
5	4408041534	KIT DI VITI PER FISSAGGIO DELL'ELETTRC		18	* 60646	ELETTROLITO	
6	4408040079	PROTECTORE CONTATTI D-80 EX		19	* 60632	SOLUCIONE TAMPONE PH 4,0 50 ML. (ROS:	
7	4408041519	GIUNTA CELLULA D-250/D-600EX/+		20	* 60618	SOLUCIONE TAMPONE PH 7,0 50 M/L. (VER	
8	4408041530	CELLA PORTAELETTRODI D-250/300 EX/+		21	* 60633	SOLUCIONE CALIBRAZIONE 470MV.	
9	4408041533	DISC METACRILATO D.267/15 MM. D-250/6C		22	* 60679	ELETTRODO AUTOPULENTI D-250/300 EX/+	

CODICE **35257, 35263, 45841**

DESCRIZIONE: **ELETTROLISI DA SALE E CONTROLLO PH D-500/600 EX/PLUS**

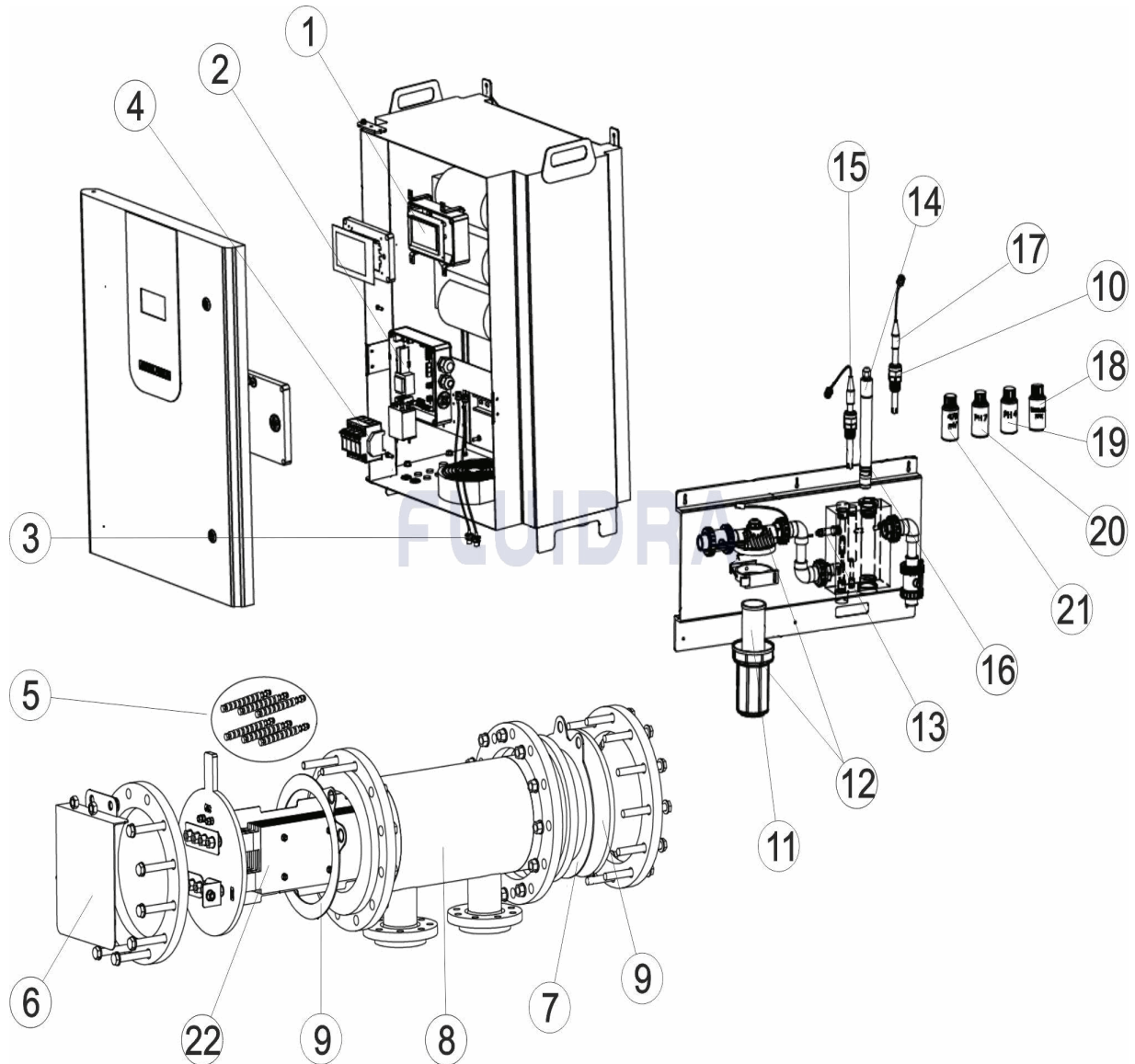
## OSSERVAZIONI

POS	CODICE	OSSERVAZIONI
1	* 4408040148	PER: 35257, 35263 OLD MODEL
1	* 4408040149	PER: 45841 OLD MODEL
1	* 4408040455	PER: 35257, 35263 CURRENT MODEL
1	* 4408040456	PER: 45841 CURRENT MODEL
2	* 4408040142	PER: 35257
2	* 4408040147	PER: 35263, 45841
3	* 4408040089	PER: 45841
10	* 4408040604	PER: 35263, 45841
11	* 4408041537	PER: 45841
12	* 4408041538	PER: 45841
13	* 4408041541	PER: 45841
14	* 60645	PER: 45841
15	* 60648	PER: 35263, 45841
16	* 60647	PER: 45841
17	* 60649	PER: 35263
18	* 60646	PER: 45841
19	* 60632	PER: 35263, 45841
20	* 60618	PER: 35263, 45841
21	* 60633	PER: 35263
22	* 60679	PER: 35263, 45841



CODE **35257, 35263, 45841**

BESCHREIBUNG: **SALZELEKTROLYSE UND STEUERUNG PH D-500/600 EX/PLUS**



**DEUTSCH**

POS	CODE	BESCHREIBUNG	MENGE	POS	CODE	BESCHREIBUNG	MENGE
1	* 4408040148	TOUCHSCREEN DV1 EX		10	* 4408040604	ELEKTRODENSITZ PE 12 MM-1/2"	
1	* 4408040149	TOUCHSCREEN DV1 EX 2		11	* 4408041537	SONDENHALTERUNG FILTER WASCHBAR	
1	* 4408040455	TOUCHSCREEN EX V2		12	* 4408041538	SONDENHALTERUNG E/S 1/2"	
1	* 4408040456	TOUCHSCREEN PH PPM V2		13	* 4408041541	INDUKTIVER DURCHFLUSSMESSER	
2	* 4408040142	STEUERPLATINE D600 V1		14	* 60645	FREICHLORMESSER	
2	* 4408040147	STEUERPLATINE D600+ V1		15	* 60648	ELEKTRODE KOMBINIERT PH	
3	* 4408040089	SCHLAUCHLEITUNG BNC EXT-2 BNC A PV/		16	* 60647	KOPFSTÜCK MEMBRAN FREICHLORMESSI	
4	4408041609	FILTER 380 V A-150/A-250/A-600 EX/PLUS		17	* 60649	ORP-ELEKTRODE	
5	4408041534	SET VERANKERUNGSSCHRAUBEN ELEKT		18	* 60646	ELEKTROLYT ECC1/GEL SONDE CL	
6	4408040079	KONTAKTSCHUTZ D-300/600		19	* 60632	PUFFER PH 4,0 50 ML (ROT)	
7	4408041519	DICHTUNG FLANSCH ZELLE D-250/600EX/		20	* 60618	PUFFER PH 7,0 50 M/L (GRÜN)	
8	4408041530	ELEKTRODENZELLE D-250/300EX/+		21	* 60633	KALIBRIERLÖSUNG 47 0MV	
9	4408041533	SCHEIBE PLEXIGLAS D. 320/15 MM D-250/€		22	* 60679	ELEKTRODE SELBSTREINIGEND D-500/600	

CODE **35257, 35263, 45841**

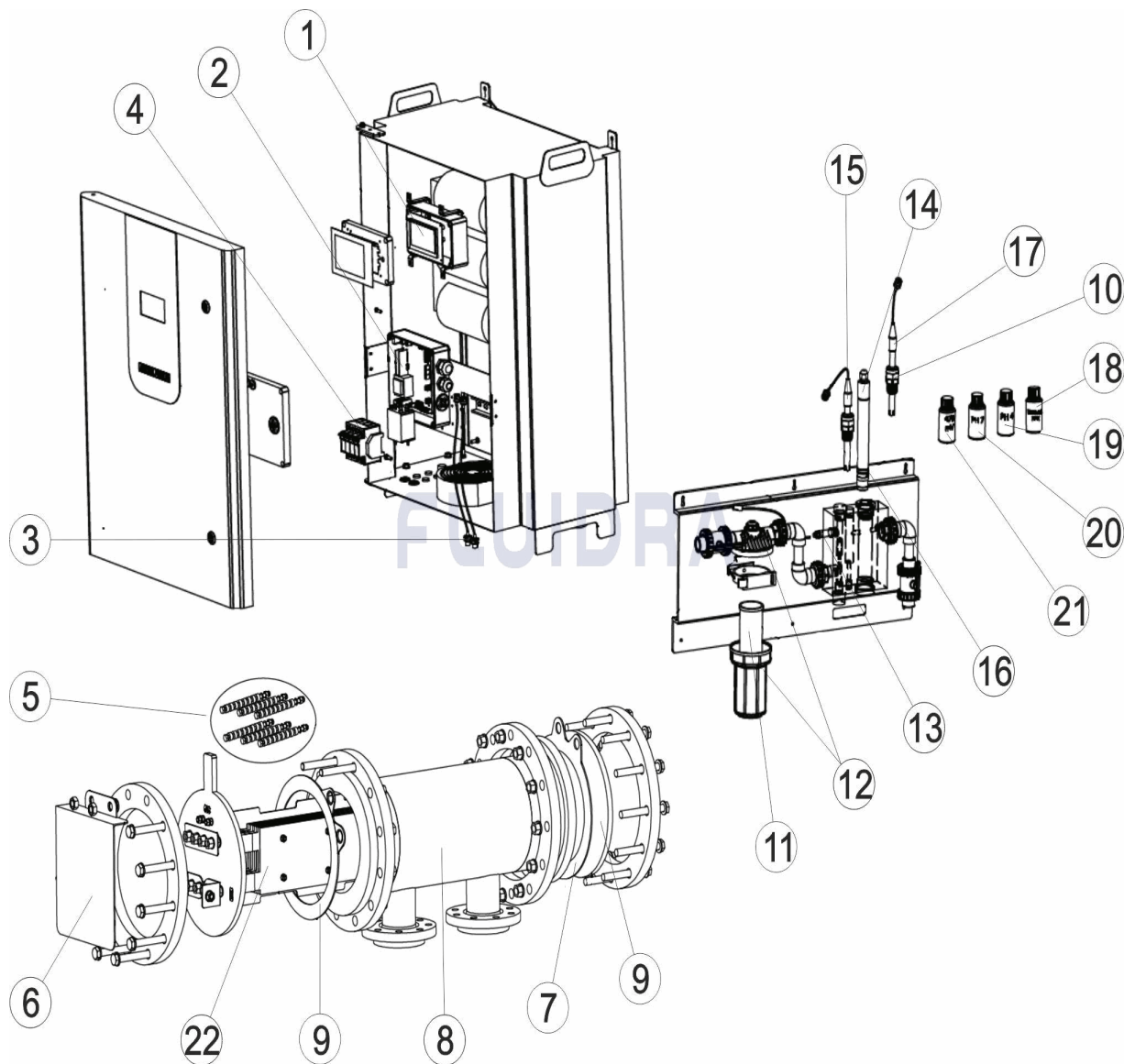
BESCHREIBUNG: **SALZELEKTROLYSE UND STEUERUNG PH D-500/600 EX/PLUS**

## HINWEISE

POS	CODE	HINWEISE
1	* 4408040148	FÜR: 35257, 35263 OLD MODEL
1	* 4408040149	FÜR: 45841 OLD MODEL
1	* 4408040455	FÜR: 35257, 35263 CURRENT MODEL
1	* 4408040456	FÜR: 45841 CURRENT MODEL
2	* 4408040142	FÜR: 35257
2	* 4408040147	FÜR: 35263, 45841
3	* 4408040089	FÜR: 45841
10	* 4408040604	FÜR: 35263, 45841
11	* 4408041537	FÜR: 45841
12	* 4408041538	FÜR: 45841
13	* 4408041541	FÜR: 45841
14	* 60645	FÜR: 45841
15	* 60648	FÜR: 35263, 45841
16	* 60647	FÜR: 45841
17	* 60649	FÜR: 35263
18	* 60646	FÜR: 45841
19	* 60632	FÜR: 35263, 45841
20	* 60618	FÜR: 35263, 45841
21	* 60633	FÜR: 35263
22	* 60679	FÜR: 35263, 45841

CODIGO **35257, 35263, 45841**

DESCRIÇÃO: **ELECTRÓLISE DE SAL E CONTROLO PH D-500/600 EX/PLUS**



**PORTUGUES**

POS	CODIGO	DESCRIÇÃO	JANTIDADE	POS	CODIGO	DESCRIÇÃO	JANTIDADE
1	* 4408040148	PLACA VISUALIZAÇÃO ELECTRÓLISE DV1		10	* 4408040604	PORTAELECTRODOS PE 12M/M-1/2"	
1	* 4408040149	PLACA VISUALIZAÇÃO ELECTRÓLISE DV1		11	* 4408041537	FILTRO PORTA-SONDAS LAVÁVEL	
1	* 4408040455	PLACA VISUALIZAÇÃO ELECTRÓLISE EX V		12	* 4408041538	PORTA-SONDAS E/S 1/2"	
1	* 4408040456	PLACA VISUALIZAÇÃO ELECTRÓLISE PH F		13	* 4408041541	SONDA DE CAUDAL INDUTIVA	
2	* 4408040142	PLACA CONTROLO D600 V1		14	* 60645	SONDA DE CLORO LIVRE	
2	* 4408040147	PLACA CONTROLO D600+ V1		15	* 60648	ELECTRODO COMBINADO PH	
3	* 4408040089	CABO BNC EXT-2 BNC A PVA 24V		16	* 60647	CÁPSULA MEMBRANA PARA SONDA CLOR	
4	4408041609	FILTRO 380V A-150/A-250/A-600 EX/PLUS		17	* 60649	ELECTRODO ORP	
5	4408041534	CJTO.PARAFUSOS DE FIXAÇÃO DE ELECT		18	* 60646	ELECTROLITO	
6	4408040079	PROTECTOR CONTACTOS D-80 EX		19	* 60632	SOLUÇÃO TAMPÃO PH 4,0 50 ML. (VERMEL	
7	4408041519	JUNTA CELULA D-250/D-600EX/+		20	* 60618	SOLUÇÃO TAMPÃO PH 7,0 50 M/L. (VERDE)	
8	4408041530	VASO PORTA-ELECTRODOS D-250/300 EX/		21	* 60633	SOLUÇÃO TAMPÃO 470 MV	
9	4408041533	DISCO METACRILATO D.320/15 MM. D-250/		22	* 60679	ELECTRODO AUTO-LIMPANT. D-250 EX/+	

**CODIGO 35257, 35263, 45841**

**DESCRIÇÃO: ELECTRÓLISE DE SAL E CONTROLO PH D-500/600 EX/PLUS**

## OBSERVAÇÕES

POS	CODIGO	OBSERVAÇÕES
1	* 4408040148	PARA: 35257, 35263 OLD MODEL
1	* 4408040149	PARA: 45841 OLD MODEL
1	* 4408040455	PARA: 35257, 35263 CURRENT MODEL
1	* 4408040456	PARA: 45841 CURRENT MODEL
2	* 4408040142	PARA: 35257
2	* 4408040147	PARA: 35263, 45841
3	* 4408040089	PARA: 45841
10	* 4408040604	PARA: 35263, 45841
11	* 4408041537	PARA: 45841
12	* 4408041538	PARA: 45841
13	* 4408041541	PARA: 45841
14	* 60645	PARA: 45841
15	* 60648	PARA: 35263, 45841
16	* 60647	PARA: 45841
17	* 60649	PARA: 35263
18	* 60646	PARA: 45841
19	* 60632	PARA: 35263, 45841
20	* 60618	PARA: 35263, 45841
21	* 60633	PARA: 35263
22	* 60679	PARA: 35263, 45841