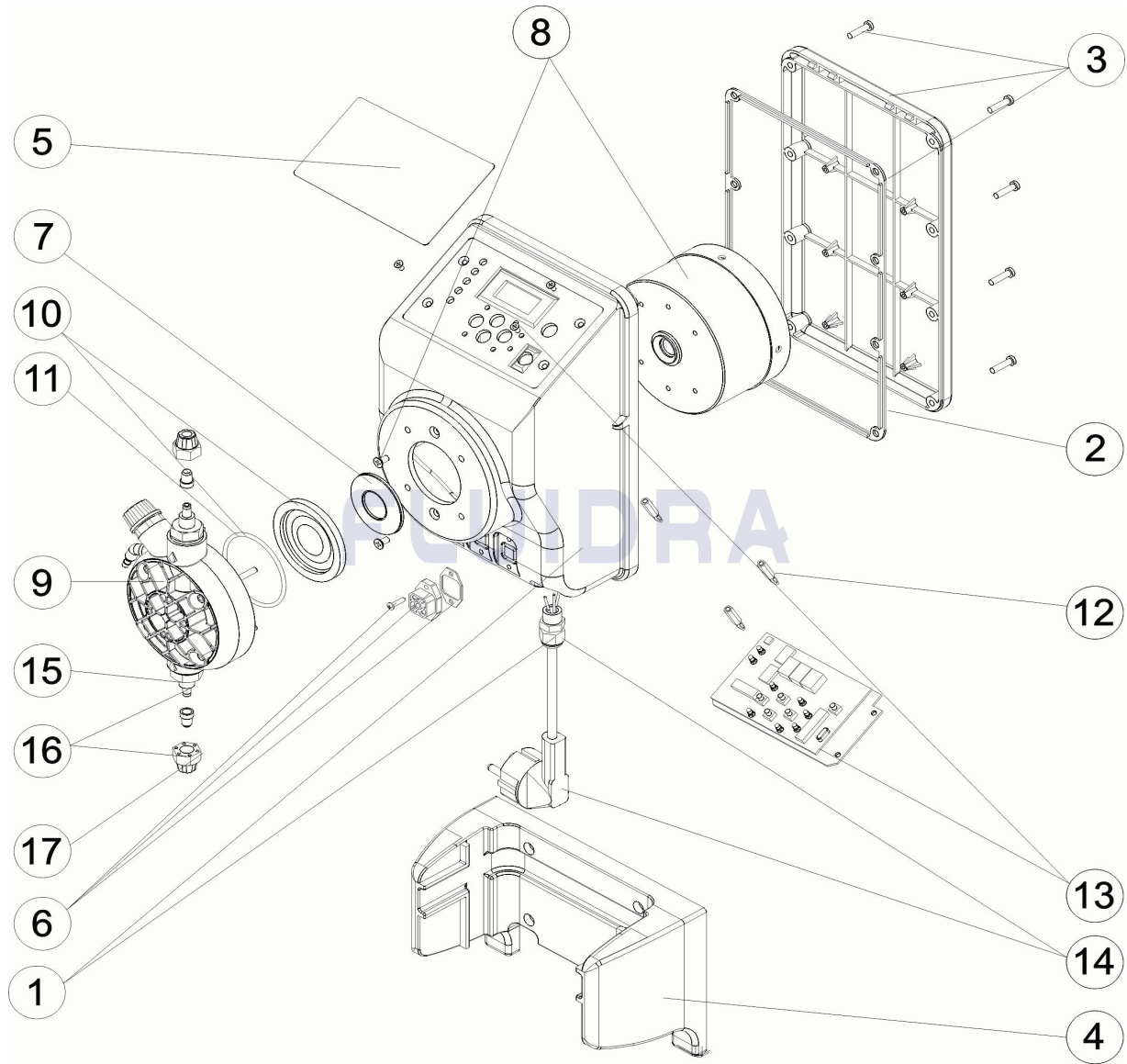


CODIGO 25361, 25363, 25365, 25367

DESCRIPCION: BOMBA DOSIFICADORA EXACTUS PROPORCIONAL



ESPAÑOL

POS	CODIGO	DESCRIPCION	CANTIDAD	POS	CODIGO	DESCRIPCION	CANTIDAD
1	4408031101	CAJA BOMBA EXACTUS		10	* 4408030119	MEMBRANA COMPLETA	
2	4408031102	JUNTA CAJA BOMBA		10	* 4408030429	MEMBRANA COMPLETA 20L 5KG	
3	4408031103	TAPA TRASERA BOMBA		11	* 4408030111	JUNTA TORICA CABEZAL	
4	4408031104	SOPORTE BOMBA		11	* 4408030413	JUNTA TORICA CABEZAL 20L 5KG	
5	4408031306	PANEL TACTIL CC/MM		12	4408031204	DISTANCIADOR PANEL TACTIL 17M/M.	
6	4408031217	CONECTOR		13	4408031308	CIRCUITO ELECTRONICO CC/M 230V.	
7	* 4408030531	ARANDELA PISTON 5L 7KG		14	4408031221	CABLE ALIMENTACION	
7	* 4408031121	ARANDELA PISTON 10L 5KG		15	4408030115	VALVULA DUTRAL + SOPORTE	
7	* 4408031122	ARANDELA PISTON 20L 5KG		15	4408030116	VALVULA VITON + SOPORTE	
8	* 4408030118	ELECTROIMAN COMPLETO 5L 7KG		15	4408030117	VALVULA SILICONA + SOPORTE	
8	* 4408031114	ELECTROIMAN 5L 10KG		16	4408030112	CUERPO RACORD + DUTRAL	
8	* 4408030517	ELECTROIMAN 10L 5KG		16	4408030113	CUERPO RACORD + VITON	
8	* 4408031116	ELECTROIMAN 25366		16	4408030114	CUERPO RACORD + SILICONA	

*** NOTA OBSERVACIONES**

CODIGO **25361, 25363, 25365, 25367**

DESCRIPCION: **BOMBA DOSIFICADORA EXACTUS PROPORCIONAL**

9	* 4408031205	CABEZAL COMPLETO	17	4408030126	TUERCA SUJECCION TUBO
9	* 4408030409	CABEZAL COMPLETO 20L. 5KG.			

CODIGO **25361, 25363, 25365, 25367**

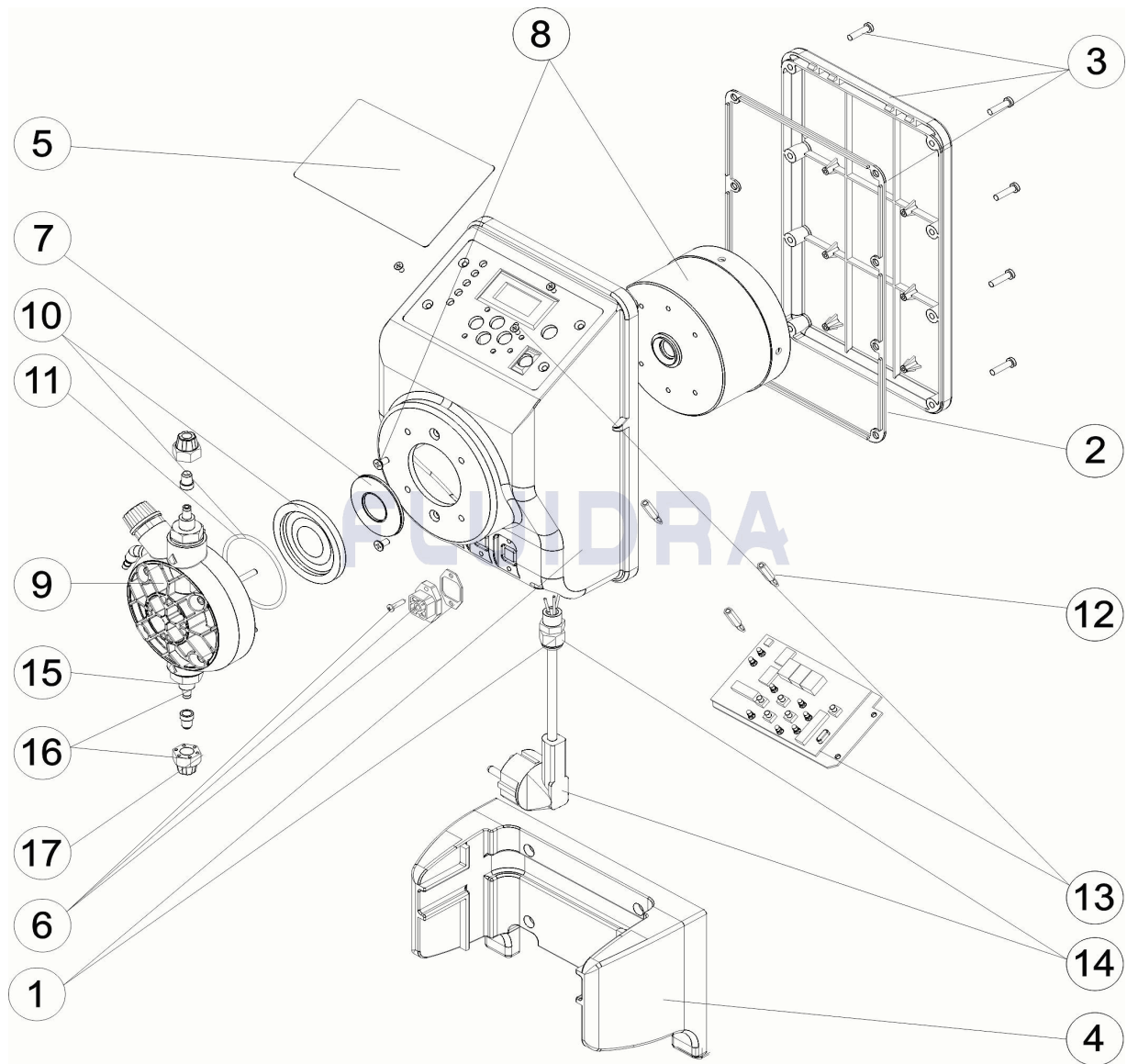
DESCRIPCION: BOMBA DOSIFICADORA EXACTUS PROPORCIONAL

OBSERVACIONES

POS	CODIGO	OBSERVACIONES
7	* 4408030531	PARA: 25361, 25363
7	* 4408031121	PARA: 25365
7	* 4408031122	PARA: 25367
8	* 4408030118	PARA: 25361
8	* 4408031114	PARA: 25363
8	* 4408030517	PARA: 25365
8	* 4408031116	PARA: 25367
9	* 4408031205	PARA: 25361, 25363, 25365
9	* 4408030409	PARA: 25367
10	* 4408030119	PARA: 25361, 25363, 25365
10	* 4408030429	PARA: 25367
11	* 4408030111	PARA: 25361, 25363, 25365
11	* 4408030413	PARA: 25367

CODE 25361, 25363, 25365, 25367

DESCRIPTION: POMPE DOSEUSE EXACTUS PROPORTIONNELLE



FRANCAIS

POS	CODE	DESCRIPTION	QUANTITE	POS	CODE	DESCRIPTION	QUANTITE
1	4408031101	BOITIER DE POMPE EXACTUS		10	* 4408030119	MEMBRANE COMPLETE	
2	4408031102	JOINT BOITIER DE POMPE		10	* 4408030429	MEMBRANE COMPLETE 20L 5KG	
3	4408031103	COUVERCLE POMPE		11	* 4408030111	JOINT TORIQUE TETE	
4	4408031104	SUPPORT DE POMPE		11	* 4408030413	JOINT TORIQUE TETE 20L 5KG	
5	4408031306	TABLEAU DE CONTROLE TACTILE CC/MM		12	4408031204	DISTANCIATEUR PANEAU TACTILE	
6	4408031217	CONNECTEUR		13	4408031308	CIRCUIT ELECTRONIQUE CC/M. 230V.	
7	* 4408030531	RONDELLE PISTON 5L 7KG		14	4408031221	CABLE ALIMENTATION	
7	* 4408031121	RONDELLE PISTON 10L 5KG		15	4408030115	CLAPET DUTRAL + SUPPORT	
7	* 4408031122	RONDELLE PISTON 20L 5KG		15	4408030116	CLAPET VITON + SUPPORT	
8	* 4408030118	ELECTROAIMANT COMPLETO 5L 7KG		15	4408030117	CLAPET SILICONA + SUPPORT	
8	* 4408031114	ELECTROAIMANT 5L 10KG		16	4408030112	CORPS RACCORD + CLAPET DUTRAL	
8	* 4408030517	ELECTROAIMANT 10L 5KG		16	4408030113	CORPS RACCORD + CLAPET VITON	
8	* 4408031116	ELECTROAIMANT 25366		16	4408030114	CORPS RACCORD + CLAPET SILICONE	

* VOIR FICHE D'OBSERVATIONS

CODE **25361, 25363, 25365, 25367**

DESCRIPTION: **POMPE DOSEUSE EXACTUS PROPORTIONNELLE**

9	* 4408031205	TETE COMPLET	17	4408030126	ECROU DE TUBE D'ASPIRATION
9	* 4408030409	TETE COMPLET 20L. 5KG.			

CODE **25361, 25363, 25365, 25367**

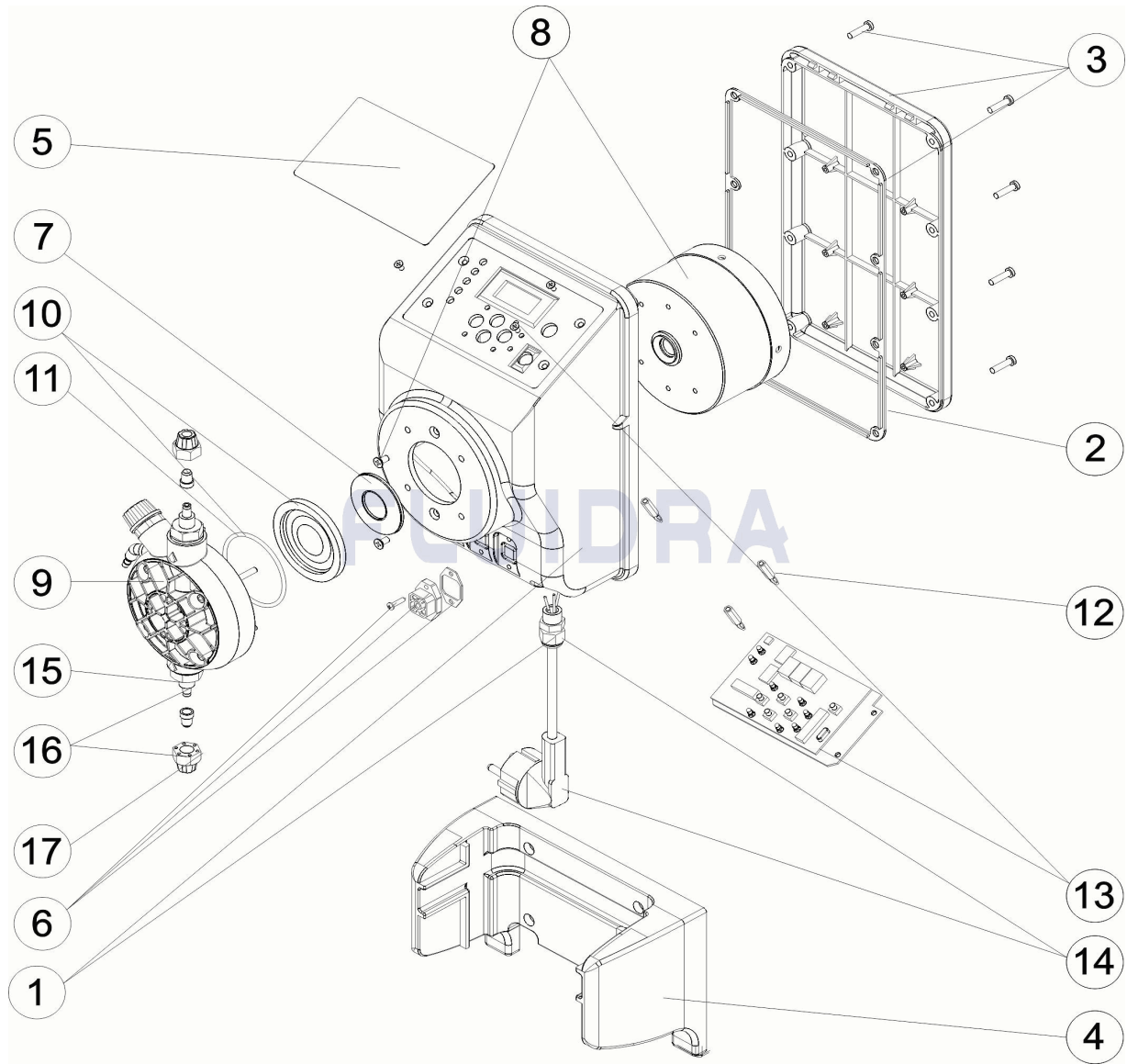
DESCRIPTION: **POMPE DOSEUSE EXACTUS PROPORTIONNELLE**

OBSERVATIONS

POS	CODE	OBSERVATIONS
7	* 4408030531	POUR: 25361, 25363
7	* 4408031121	POUR: 25365
7	* 4408031122	POUR: 25367
8	* 4408030118	POUR: 25361
8	* 4408031114	POUR: 25363
8	* 4408030517	POUR: 25365
8	* 4408031116	POUR: 25367
9	* 4408031205	POUR: 25361, 25363, 25365
9	* 4408030409	POUR: 25367
10	* 4408030119	POUR: 25361, 25363, 25365
10	* 4408030429	POUR: 25367
11	* 4408030111	POUR: 25361, 25363, 25365
11	* 4408030413	POUR: 25367

CODE 25361, 25363, 25365, 25367

DESCRIPTION: EXACTUS PROPORTIONAL DOSING PUMP



ENGLISH

POS	CODE	DESCRIPTION	QUANTITY	POS	CODE	DESCRIPTION	QUANTITY
1	4408031101	EXACTUS PUMP BOX		10	* 4408030119	DIAPHRAM COMPLETE	
2	4408031102	PUMP BOX SEAL		10	* 4408030429	DIAPHRAM COMPLETE 20L 5KG	
3	4408031103	PUMP REAR COVER		11	* 4408030111	HEAD O RING	
4	4408031104	PUMP SUPPORT		11	* 4408030413	HEAD O RING 20L 5KG	
5	4408031306	TOUCH SCREEN PANEL CC/MM		12	4408031204	SUPPORT FOR ELECTRONIC CIRCUIT	
6	4408031217	CONNECTOR		13	4408031308	ELECTRONIC CIRCUIT CC/M. 230V.	
7	* 4408030531	PISTON WASHER 5L 7KG		14	4408031221	SUPPLY CABLE	
7	* 4408031121	PISTON WASHER 10L 5KG		15	4408030115	DUTRAL VALVE + SUPPORT	
7	* 4408031122	PISTON WASHER 20L 5KG		15	4408030116	VITON VALVE + SUPPORT	
8	* 4408030118	ELECTROMAGNET ASSEMBLY COMPLETE		15	4408030117	SILICON VALVE + SUPPORT	
8	* 4408031114	ELECTROMAGNET 5L 10KG		16	4408030112	HEAD CONNECTOR BODY + DUTRAL	
8	* 4408030517	ELECTROMAGNET 10L 5KG		16	4408030113	HEAD CONNECTOR BODY + VITON	
8	* 4408031116	ELECTROMAGNET 25366		16	4408030114	HEAD CONNECTOR BODY + SILICON	

CODE **25361, 25363, 25365, 25367**

DESCRIPTION: **EXACTUS PROPORTIONAL DOSING PUMP**

9	* 4408031205	COMPLETE HEAD ASSEMBLY	17	4408030126	SUCTION TUBE NUT
9	* 4408030409	COMPLETE HEAD ASSEMBLY 20L. 5KG.			

CODE **25361, 25363, 25365, 25367**

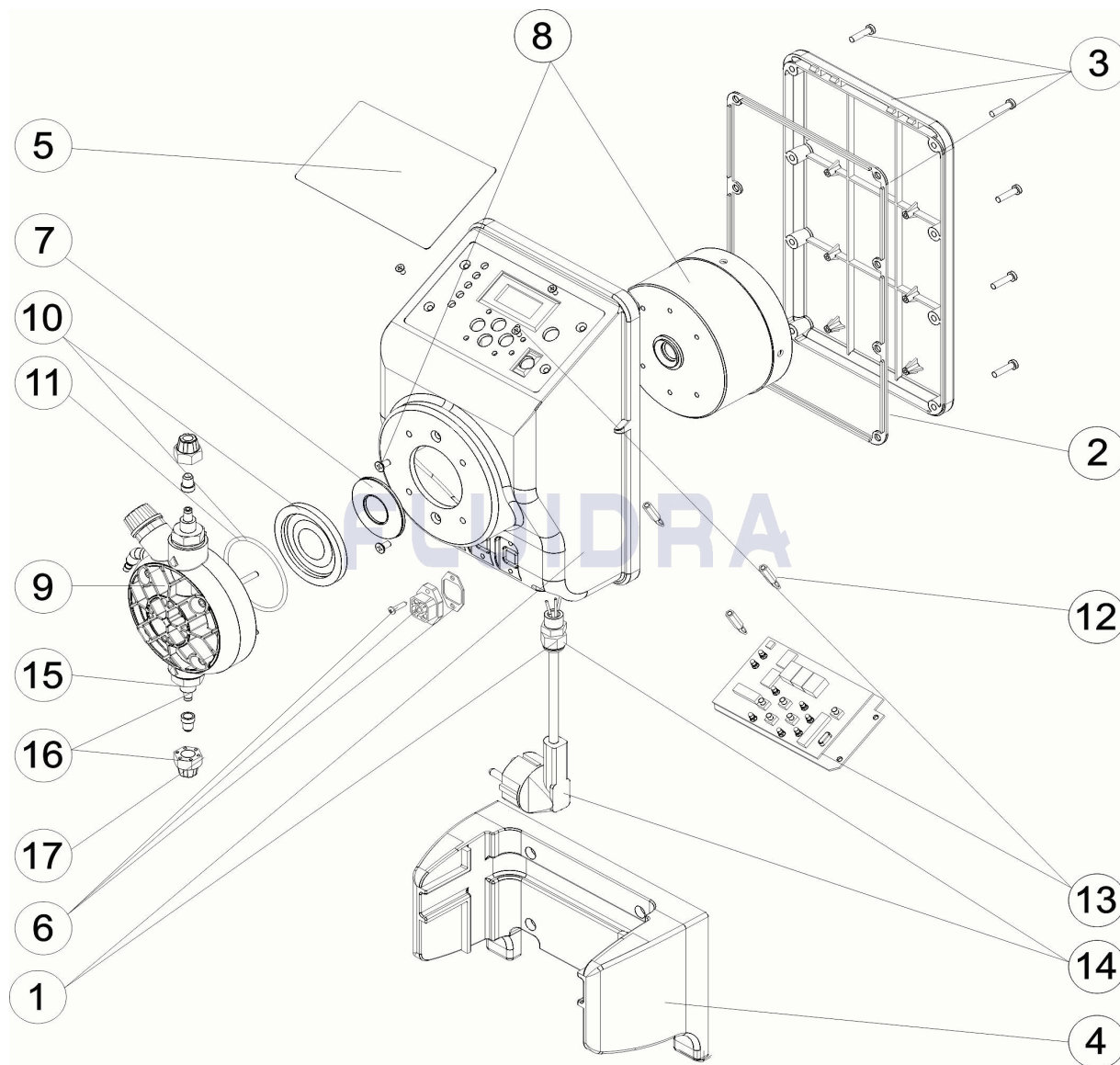
DESCRIPTION: **EXACTUS PROPORTIONAL DOSING PUMP**

OBSERVATIONS

POS	CODE	OBSERVATIONS
7	* 4408030531	FOR: 25361, 25363
7	* 4408031121	FOR: 25365
7	* 4408031122	FOR: 25367
8	* 4408030118	FOR: 25361
8	* 4408031114	FOR: 25363
8	* 4408030517	FOR: 25365
8	* 4408031116	FOR: 25367
9	* 4408031205	FOR: 25361, 25363, 25365
9	* 4408030409	FOR: 25367
10	* 4408030119	FOR: 25361, 25363, 25365
10	* 4408030429	FOR: 25367
11	* 4408030111	FOR: 25361, 25363, 25365
11	* 4408030413	FOR: 25367

CODICE 25361, 25363, 25365, 25367

DESCRIZIONE: POMPA DOSIFICATRICE EXACTUS PROPORZIONALE



ITALIANO

POS	CODICE	DESCRIZIONE	QUANTITA'	POS	CODICE	DESCRIZIONE	QUANTITA'
1	4408031101	CASSA POMPA EXACTUS		10	* 4408030119	MEMBRANA COMPLETA	
2	4408031102	GUARNIZIONE CASSA POMPA		10	* 4408030429	MEMBRANA COMPLETA 20L 5KG	
3	4408031103	COPRIVENTOLA POMPA		11	* 4408030111	O-RING PER TESTA	
4	4408031104	SUPPORTO POMPA		11	* 4408030413	O-RING TESTA 20L 5KG	
5	4408031306	PANNELLO DIGITALE CC/MM		12	4408031204	DISTANCIANTE PANNELLO COMANDI 17 M/M	
6	4408031217	CONNETTORE		13	4408031308	CIRCUITO ELETTRONICO CC/M. 230V	
7	* 4408030531	RONDELLA PISTONE 5L 7KG		14	4408031221	CAVO DI ALIMENTAZIONE	
7	* 4408031121	RONDELLA PISTONE 10L 5KG		15	4408030115	VALVOLA DUTRAL + SUPPORTO	
7	* 4408031122	RONDELLA PISTONE 20L 5KG		15	4408030116	VALVOLA + SUPPORTO	
8	* 4408030118	ELETTROCALAMITA COMPLETA 5L 7KG		15	4408030117	VALVOLA SILICONE + SUPPORTO	
8	* 4408031114	ELETTROCALAMITA 5L 10KG		16	4408030112	CORPO RACCORDO + VALVOLA IN DUTRAL	
8	* 4408030517	ELETTROCALAMITA 10L 5KG		16	4408030113	CORPO RACCORDO + VALVOLA IN VITON	
8	* 4408031116	ELETTROCALAMITA 25366		16	4408030114	CORPO RACCORDO + VALVOLA IN SILICON	

CODICE **25361, 25363, 25365, 25367**

DESCRIZIONE: **POMPA DOSIFICATRICE EXACTUS PROPORZIONALE**

9	* 4408031205	TESTA COMPLETA	17	4408030126	GHIERA FISSAGGIO TUBO
9	* 4408030409	TESTA COMPLETA 20L. 5KG.			

CODICE **25361, 25363, 25365, 25367**

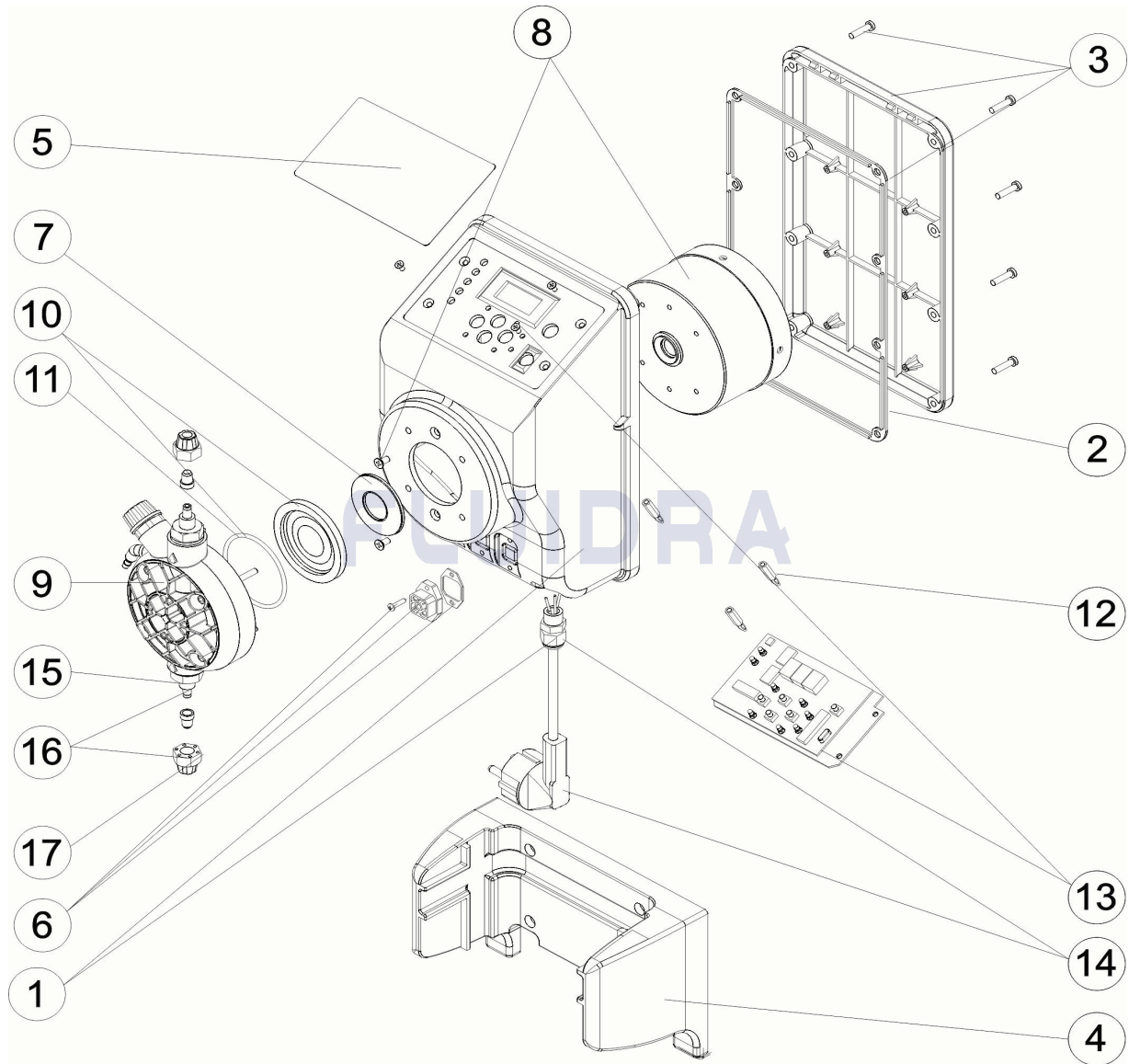
DESCRIZIONE: **POMPA DOSIFICATRICE EXACTUS PROPORZIONALE**

OSSERVAZIONI

POS	CODICE	OSSERVAZIONI
7	* 4408030531	PER: 25361, 25363
7	* 4408031121	PER: 25365
7	* 4408031122	PER: 25367
8	* 4408030118	PER: 25361
8	* 4408031114	PER: 25363
8	* 4408030517	PER: 25365
8	* 4408031116	PER: 25367
9	* 4408031205	PER: 25361, 25363, 25365
9	* 4408030409	PER: 25367
10	* 4408030119	PER: 25361, 25363, 25365
10	* 4408030429	PER: 25367
11	* 4408030111	PER: 25361, 25363, 25365
11	* 4408030413	PER: 25367

CODE 25361, 25363, 25365, 25367

BESCHREIBUNG: DOSIERPUMPE EXACTUS PROPORTIONAL



DEUTSCH

POS	CODE	BESCHREIBUNG	MENGE	POS	CODE	BESCHREIBUNG	MENGE
1	4408031101	PUMPENGEHÄUSE EXACTUS		10	* 4408030119	KOMPLETTMEMBERAN	
2	4408031102	DICHTUNG PUMPENGEHÄUSE		10	* 4408030429	KOMPLETTMEMBERAN 20 L 5 KG	
3	4408031103	ABDECKUNG HINTEN PUMPE		11	* 4408030111	O-RING KOPFSTÜCK	
4	4408031104	HALTERUNG PUMPE		11	* 4408030413	O-RING KOPFSTÜCK 20 L 5 KG	
5	4408031306	TOUCHSCREEN CC/MM		12	4408031204	DISTANZSTÜCK TOUCHSCREEN 17 MM	
6	4408031217	STECKKUPPLUNG		13	4408031308	PLATINE SCHALTKREIS CC/M 230 V	
7	* 4408030531	KOLBENSCHLEIBE 5 L 7 KG		14	4408031221	VERSORUNGSKABEL	
7	* 4408031121	KOLBENSCHLEIBE 10 L 5 KG		15	4408030115	VENTIL DUTRAL MIT HALTERUNG	
7	* 4408031122	KOLBENSCHLEIBE 20 L 5 KG		15	4408030116	VENTIL VITON MIT HALTERUNG	
8	* 4408030118	ELEKTROMAGNET KOMPLETT 5 L 7 KG		15	4408030117	VENTIL SILIKON MIT HALTERUNG	
8	* 4408031114	ELEKTROMAGNET 5 L 10 KG		16	4408030112	VENTILSATZ MIT DUTRAL	
8	* 4408030517	ELEKTROMAGNET 10 L 5 KG		16	4408030113	VENTILSATZ MIT VITON	
8	* 4408031116	ELEKTROMAGNET 25366		16	4408030114	VENTILSATZ MIT SILIKON	

* SIEHE ANMERKUNGSBLATT

CODE **25361, 25363, 25365, 25367**

BESCHREIBUNG: **DOSIERPUMPE EXACTUS PROPORTIONAL**

9	* 4408031205	KOPFSTÜCK KOMPLETT	17	4408030126	MUTTER BEFESTIGUNG ROHR
9	* 4408030409	KOPFSTÜCK KOMPLETT 20 L 5 KG			

CODE **25361, 25363, 25365, 25367**

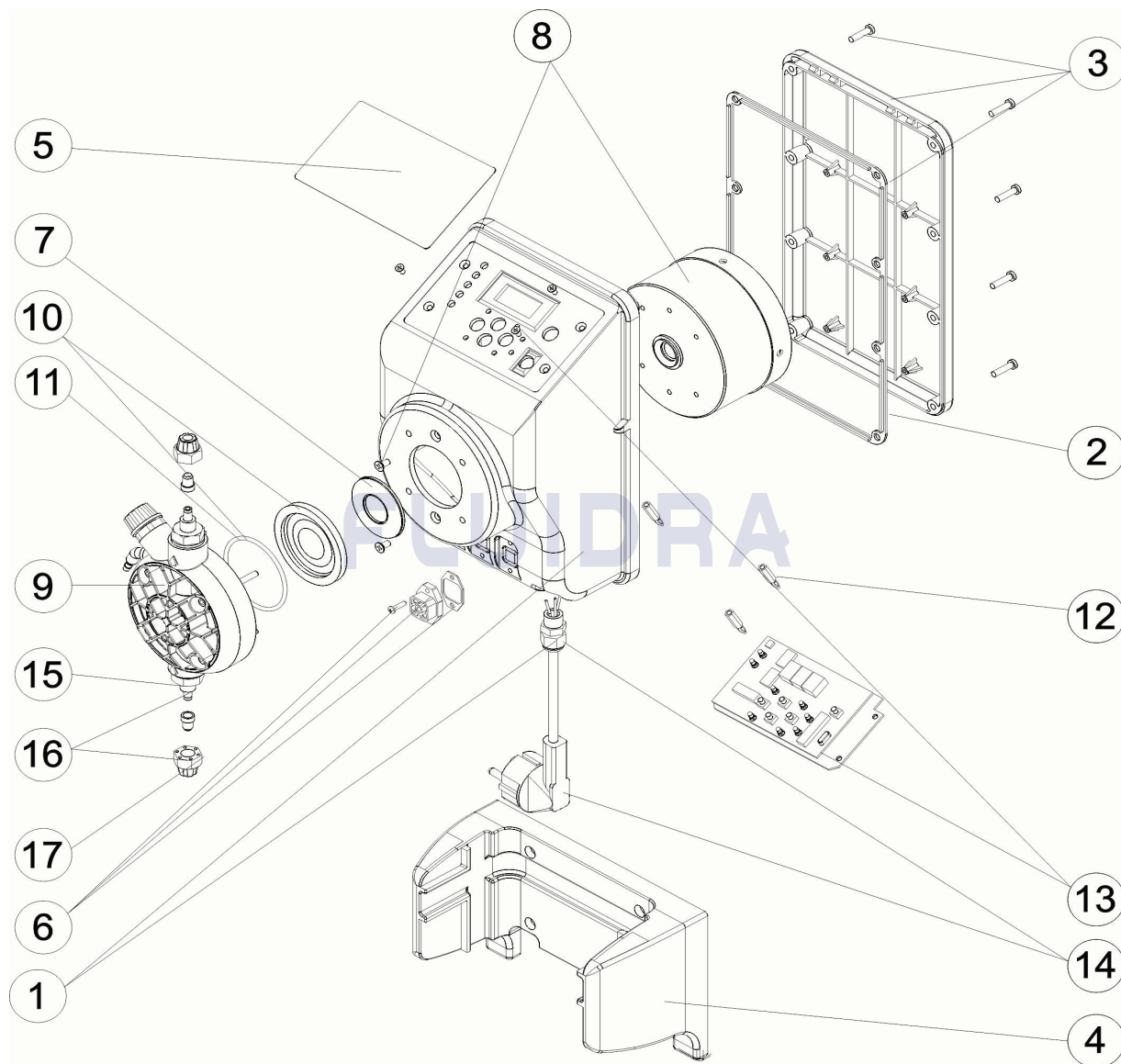
BESCHREIBUNG: **DOSIERPUMPE EXACTUS PROPORTIONAL**

HINWEISE

POS	CODE	HINWEISE
7	* 4408030531	FÜR: 25361, 25363
7	* 4408031121	FÜR: 25365
7	* 4408031122	FÜR: 25367
8	* 4408030118	FÜR: 25361
8	* 4408031114	FÜR: 25363
8	* 4408030517	FÜR: 25365
8	* 4408031116	FÜR: 25367
9	* 4408031205	FÜR: 25361, 25363, 25365
9	* 4408030409	FÜR: 25367
10	* 4408030119	FÜR: 25361, 25363, 25365
10	* 4408030429	FÜR: 25367
11	* 4408030111	FÜR: 25361, 25363, 25365
11	* 4408030413	FÜR: 25367

CODIGO 25361, 25363, 25365, 25367

DESCRIÇÃO: BOMBA DOSEADORA EXACTUS PROPORCIONAL



PORTUGUES

POS	CODIGO	DESCRIÇÃO	JANTIDADE	POS	CODIGO	DESCRIÇÃO	JANTIDADE
1	4408031101	CAIXA BOMBA EXACTUS		10	* 4408030119	MEMBRANA COMPLETA	
2	4408031102	JUNTA CAIXA BOMBA		10	* 4408030429	MEMBRANA COMPLETA 20L 5KG	
3	4408031103	TAMPA TRASEIRA BOMBA		11	* 4408030111	JUNTA TORICA CABEÇAL	
4	4408031104	SUPORTE BOMBA		11	* 4408030413	JUNTA TORICA CABEÇAL 20L 5KG	
5	4408031306	PAINEL DIGITAL TÁCTIL CC/MM		12	4408031204	DISTANCIADOR DE PAINEL TACTIL 17 M/M.	
6	4408031217	LIGAÇÃO		13	4408031308	CIRCUITO ELECTRONICO CC/M. 230V.	
7	* 4408030531	ANILHA PISTON 5L 7KG		14	4408031221	CABO ALIMENTAÇÃO	
7	* 4408031121	ANILHA PISTON 10L 5KG		15	4408030115	VÁLVULA DUTRAL + SUPORTE	
7	* 4408031122	ANILHA PISTON 20L 5KG		15	4408030116	VÁLVULA VITON + SUPORTE	
8	* 4408030118	ELECTROIMAN COMPLETO 5L 7KG		15	4408030117	VÁLVULA SILICONE + SUPORTE	
8	* 4408031114	ELECTROIMAN 5L 10KG		16	4408030112	CORPO RACORD + DUTRAL	
8	* 4408030517	ELECTROIMAN 10L 5KG		16	4408030113	CORPO RACORD + VITON	
8	* 4408031116	ELECTROIMAN 25366		16	4408030114	CORPO RACORD + SILICONE	

*** VEJA A FICHA DE OBSERVAÇÕES**

CODIGO **25361, 25363, 25365, 25367**

DESCRIÇÃO: **BOMBA DOSEADORA EXACTUS PROPORCIONAL**

9	* 4408031205	CABEÇAL COMPLETO	17	4408030126	PORCA SUJEIÇÃO TUBO
9	* 4408030409	CABEÇAL COMPLETO 20L. 5KG.			

CODIGO 25361, 25363, 25365, 25367

DESCRIÇÃO: BOMBA DOSEADORA EXACTUS PROPORCIONAL

OBSERVAÇÕES

POS	CODIGO	OBSERVAÇÕES
7	* 4408030531	PARA: 25361, 25363
7	* 4408031121	PARA: 25365
7	* 4408031122	PARA: 25367
8	* 4408030118	PARA: 25361
8	* 4408031114	PARA: 25363
8	* 4408030517	PARA: 25365
8	* 4408031116	PARA: 25367
9	* 4408031205	PARA: 25361, 25363, 25365
9	* 4408030409	PARA: 25367
10	* 4408030119	PARA: 25361, 25363, 25365
10	* 4408030429	PARA: 25367
11	* 4408030111	PARA: 25361, 25363, 25365
11	* 4408030413	PARA: 25367