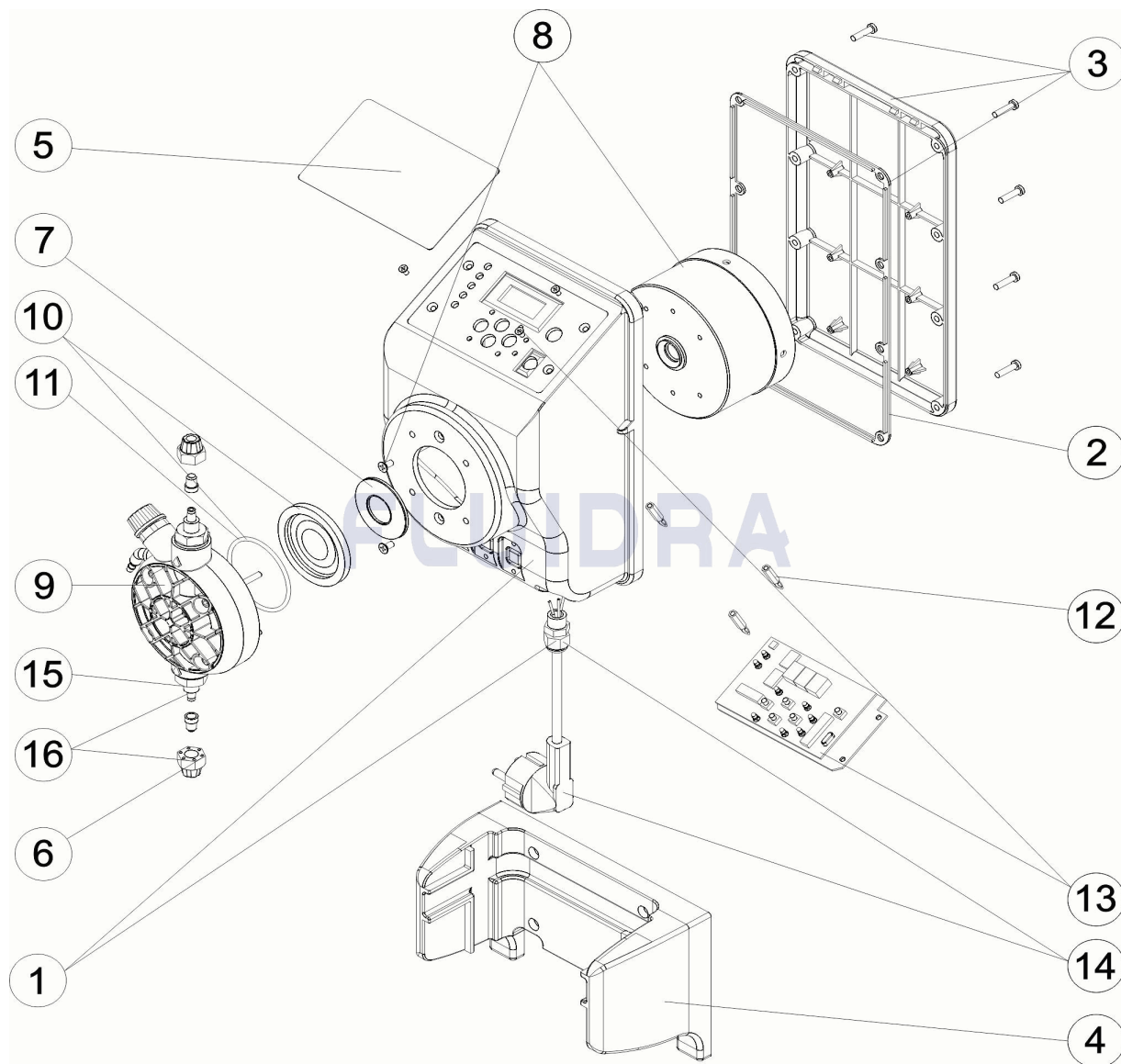


CODIGO **25372, 25373, 25374**

DESCRIPCION: **BOMBA DOSIFICADORA EXACTUS VOLUMETRICA**



ESPAÑOL

| POS | CODIGO | DESCRIPCION | CANTIDAD | POS | CODIGO | DESCRIPCION | CANTIDAD |
|-----|--------------|---|----------|-----|--------------|----------------------------------|----------|
| 1 | 4408031101 | CAJA BOMBA EXACTUS | | 10 | * 4408030119 | MEMBRANA COMPLETA | |
| 2 | 4408031102 | JUNTA CAJA BOMBA | | 10 | * 4408030429 | MEMBRANA COMPLETA 20L 5KG | |
| 3 | 4408031103 | TAPA TRASERA BOMBA | | 11 | * 4408030111 | JUNTA TORICA CABEZAL | |
| 4 | 4408031104 | SOPORTE BOMBA | | 11 | * 4408030413 | JUNTA TORICA CABEZAL 20L 5KG | |
| 5 | 4408031206 | PANEL TACTIL VFT/MB | | 12 | 4408031204 | DISTANCIADOR PANEL TACTIL 17M/M. | |
| 6 | 4408030126 | TUERCA SUJECCION TUBO | | 13 | 4408031208 | CIRCUITO ELECTRONICO VFT/MB 230V | |
| 7 | * 4408031119 | ARANDELA PISTON 2L 5KG - 2L 10KG - 5L 1 | | 14 | 4408031221 | CABLE ALIMENTACION | |
| 7 | * 4408031121 | ARANDELA PISTON 10L 5KG | | 15 | 4408030115 | VALVULA DUTRAL + SOPORTE | |
| 7 | * 4408031122 | ARANDELA PISTON 20L 5KG | | 15 | 4408030116 | VALVULA VITON + SOPORTE | |
| 8 | * 4408031114 | ELECTROIMAN 5L 10KG | | 15 | 4408030117 | VALVULA SILICONA + SOPORTE | |
| 8 | * 4408030517 | ELECTROIMAN 10L 5KG | | 16 | 4408030112 | CUERPO RACORD + DUTRAL | |
| 8 | * 4408031116 | ELECTROIMAN 25366 | | 16 | 4408030113 | CUERPO RACORD + VITON | |
| 9 | * 4408031205 | CABEZAL COMPLETO | | 16 | 4408030114 | CUERPO RACORD + SILICONA | |

*** NOTA OBSERVACIONES**

CODIGO **25372, 25373, 25374**DESCRIPCION: **BOMBA DOSIFICADORA EXACTUS VOLUMETRICA**

| | | | | | |
|---|--------------|----------------------------|--|--|--|
| 9 | * 4408030409 | CABEZAL COMPLETO 20L. 5KG. | | | |
|---|--------------|----------------------------|--|--|--|

CODIGO **25372, 25373, 25374**

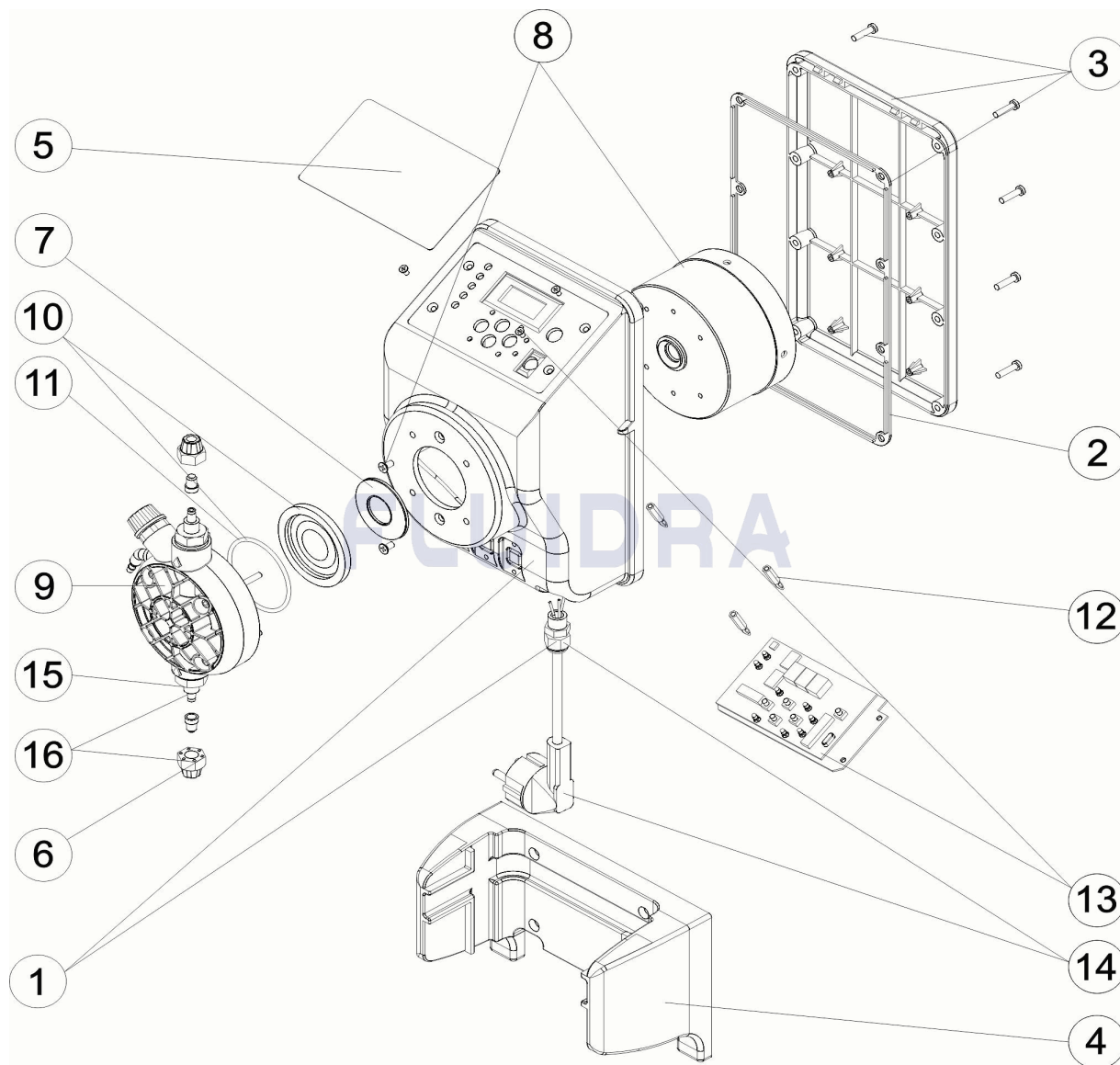
DESCRIPCION: **BOMBA DOSIFICADORA EXACTUS VOLUMETRICA**

OBSERVACIONES

| POS | CODIGO | OBSERVACIONES |
|-----|--------------|--------------------|
| 7 | * 4408031119 | PARA: 25372 |
| 7 | * 4408031121 | PARA: 25373 |
| 7 | * 4408031122 | PARA: 25374 |
| 8 | * 4408031114 | PARA: 25372 |
| 8 | * 4408030517 | PARA: 25373 |
| 8 | * 4408031116 | PARA: 25374 |
| 9 | * 4408031205 | PARA: 25372, 25373 |
| 9 | * 4408030409 | PARA: 25374 |
| 10 | * 4408030119 | PARA: 25372, 25373 |
| 10 | * 4408030429 | PARA: 25374 |
| 11 | * 4408030111 | PARA: 25372, 25373 |
| 11 | * 4408030413 | PARA: 25374 |

CODE 25372, 25373, 25374

DESCRIPTION: POMPE DOSEUSE EXACTUS VOLUMÉTRIQUE



FRANCAIS

| POS | CODE | DESCRIPTION | QUANTITE | POS | CODE | DESCRIPTION | QUANTITE |
|-----|--------------|---------------------------------------|----------|-----|--------------|------------------------------------|----------|
| 1 | 4408031101 | BOITIER DE POMPE EXACTUS | | 10 | * 4408030119 | MEMBRANE COMPLETE | |
| 2 | 4408031102 | JOINT BOITIER DE POMPE | | 10 | * 4408030429 | MEMBRANE COMPLETE 20L 5KG | |
| 3 | 4408031103 | COUVERCLE POMPE | | 11 | * 4408030111 | JOINT TORIQUE TETE | |
| 4 | 4408031104 | SUPPORT DE POMPE | | 11 | * 4408030413 | JOINT TORIQUE TETE 20L 5KG | |
| 5 | 4408031206 | TABLEAU DE CONTROLE TACTILE VFT/MB | | 12 | 4408031204 | DISTANCIATEUR PANEAU TACTILE | |
| 6 | 4408030126 | ECROU DE TUBE D'ASPIRATION | | 13 | 4408031208 | CIRCUIT ELECTRONIQUE VFT/MB. 230V. | |
| 7 | * 4408031119 | RONDELLE PISTON 2L 5KG - 2L 10KG - 5L | | 14 | 4408031221 | CABLE ALIMENTATION | |
| 7 | * 4408031121 | RONDELLE PISTON 10L 5KG | | 15 | 4408030115 | CLAPET DUTRAL + SUPPORT | |
| 7 | * 4408031122 | RONDELLE PISTON 20L 5KG | | 15 | 4408030116 | CLAPET VITON + SUPPORT | |
| 8 | * 4408031114 | ELECTROAIMANT 5L 10KG | | 15 | 4408030117 | CLAPET SILICONA + SUPPORT | |
| 8 | * 4408030517 | ELECTROAIMANT 10L 5KG | | 16 | 4408030112 | CORPS RACCORD + CLAPET DUTRAL | |
| 8 | * 4408031116 | ELECTROAIMANT 25366 | | 16 | 4408030113 | CORPS RACCORD + CLAPET VITON | |
| 9 | * 4408031205 | TETE COMPLET | | 16 | 4408030114 | CORPS RACCORD + CLAPET SILICONE | |

* VOIR FICHE D'OBSERVATIONS

CODE **25372, 25373, 25374**

DESCRIPTION: **POMPE DOSEUSE EXACTUS VOLUMÉTRIQUE**

| | | | | |
|---|--------------|------------------------|--|--|
| 9 | * 4408030409 | TETE COMPLET 20L. 5KG. | | |
|---|--------------|------------------------|--|--|

CODE **25372, 25373, 25374**

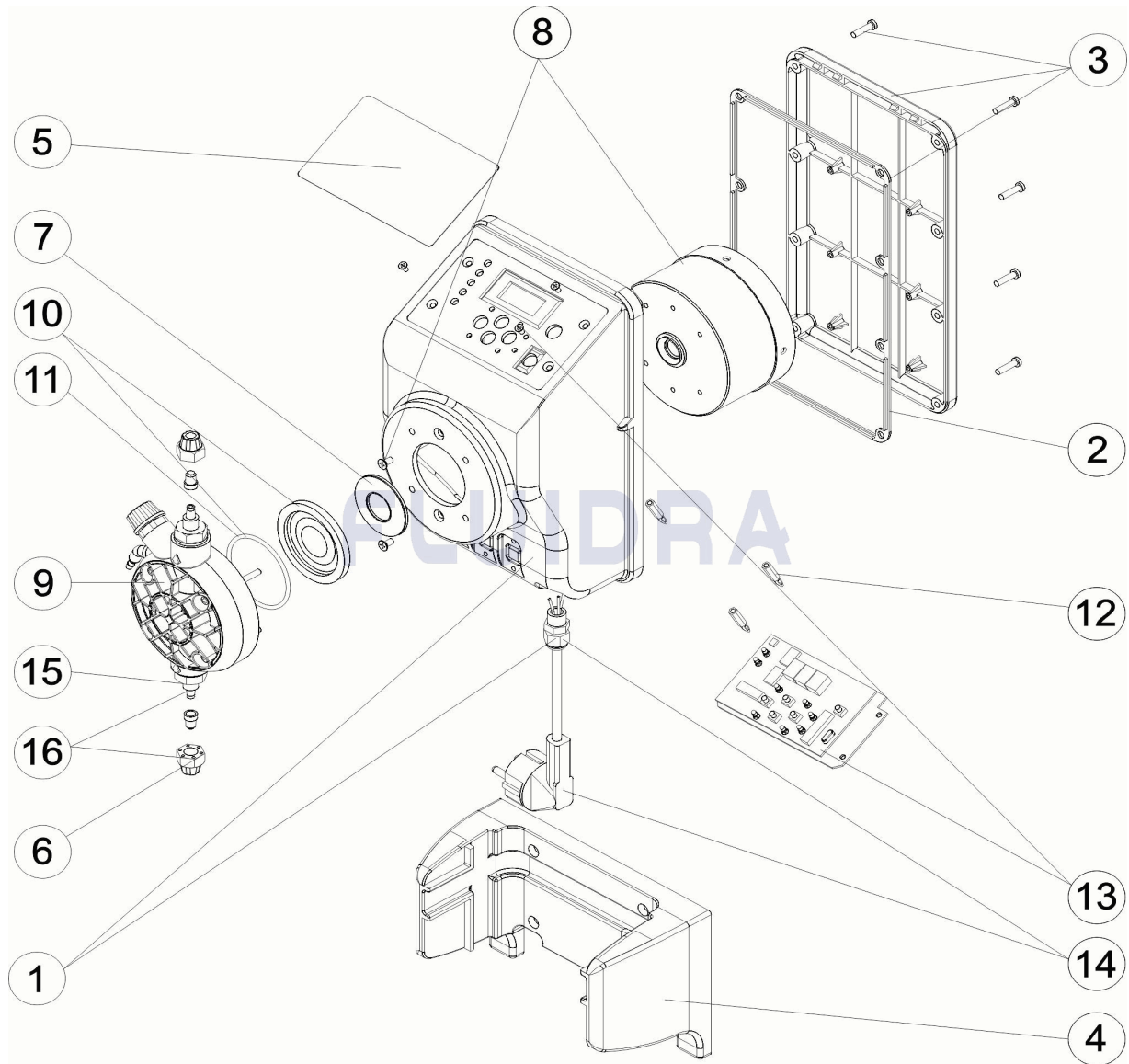
DESCRIPTION: **POMPE DOSEUSE EXACTUS VOLUMÉTRIQUE**

OBSERVATIONS

| POS | CODE | OBSERVATIONS |
|-----|--------------|--------------------|
| 7 | * 4408031119 | POUR: 25372 |
| 7 | * 4408031121 | POUR: 25373 |
| 7 | * 4408031122 | POUR: 25374 |
| 8 | * 4408031114 | POUR: 25372 |
| 8 | * 4408030517 | POUR: 25373 |
| 8 | * 4408031116 | POUR: 25374 |
| 9 | * 4408031205 | POUR: 25372, 25373 |
| 9 | * 4408030409 | POUR: 25374 |
| 10 | * 4408030119 | POUR: 25372, 25373 |
| 10 | * 4408030429 | POUR: 25374 |
| 11 | * 4408030111 | POUR: 25372, 25373 |
| 11 | * 4408030413 | POUR: 25374 |

CODE 25372, 25373, 25374

DESCRIPTION: EXACTUS VOLUMETRIC DOSING PUMP



ENGLISH

| POS | CODE | DESCRIPTION | QUANTITY | POS | CODE | DESCRIPTION | QUANTITY |
|-----|--------------|---|----------|-----|--------------|----------------------------------|----------|
| 1 | 4408031101 | EXACTUS PUMP BOX | | 10 | * 4408030119 | DIAPHRAM COMPLETE | |
| 2 | 4408031102 | PUMP BOX SEAL | | 10 | * 4408030429 | DIAPHRAM COMPLETE 20L 5KG | |
| 3 | 4408031103 | PUMP REAR COVER | | 11 | * 4408030111 | HEAD O RING | |
| 4 | 4408031104 | PUMP SUPPORT | | 11 | * 4408030413 | HEAD O RING 20L 5KG | |
| 5 | 4408031206 | TOUCH SCREEN PANEL VFT/MB | | 12 | 4408031204 | SUPPORT FOR ELECTRONIC CIRCUIT | |
| 6 | 4408030126 | SUCTION TUBE NUT | | 13 | 4408031208 | ELECTRONIC CIRCUIT VFT/MB. 230V. | |
| 7 | * 4408031119 | PISTON WASHER 2L 5KG - 2L 10KG - 5L 10l | | 14 | 4408031221 | SUPPLY CABLE | |
| 7 | * 4408031121 | PISTON WASHER 10L 5KG | | 15 | 4408030115 | DUTRAL VALVE + SUPPORT | |
| 7 | * 4408031122 | PISTON WASHER 20L 5KG | | 15 | 4408030116 | VITON VALVE + SUPPORT | |
| 8 | * 4408031114 | ELECTROMAGNET 5L 10KG | | 15 | 4408030117 | SILICON VALVE + SUPPORT | |
| 8 | * 4408030517 | ELECTROMAGNET 10L 5KG | | 16 | 4408030112 | HEAD CONNECTOR BODY + DUTRAL | |
| 8 | * 4408031116 | ELECTROMAGNET 25366 | | 16 | 4408030113 | HEAD CONNECTOR BODY + VITON | |
| 9 | * 4408031205 | COMPLETE HEAD ASSEMBLY | | 16 | 4408030114 | HEAD CONNECTOR BODY + SILICON | |

* SEE OBSERVATIONS SHEET

CODE **25372, 25373, 25374**

DESCRIPTION: **EXACTUS VOLUMETRIC DOSING PUMP**

| | | | | | |
|---|--------------|----------------------------------|--|--|--|
| 9 | * 4408030409 | COMPLETE HEAD ASSEMBLY 20L. 5KG. | | | |
|---|--------------|----------------------------------|--|--|--|

CODE **25372, 25373, 25374**

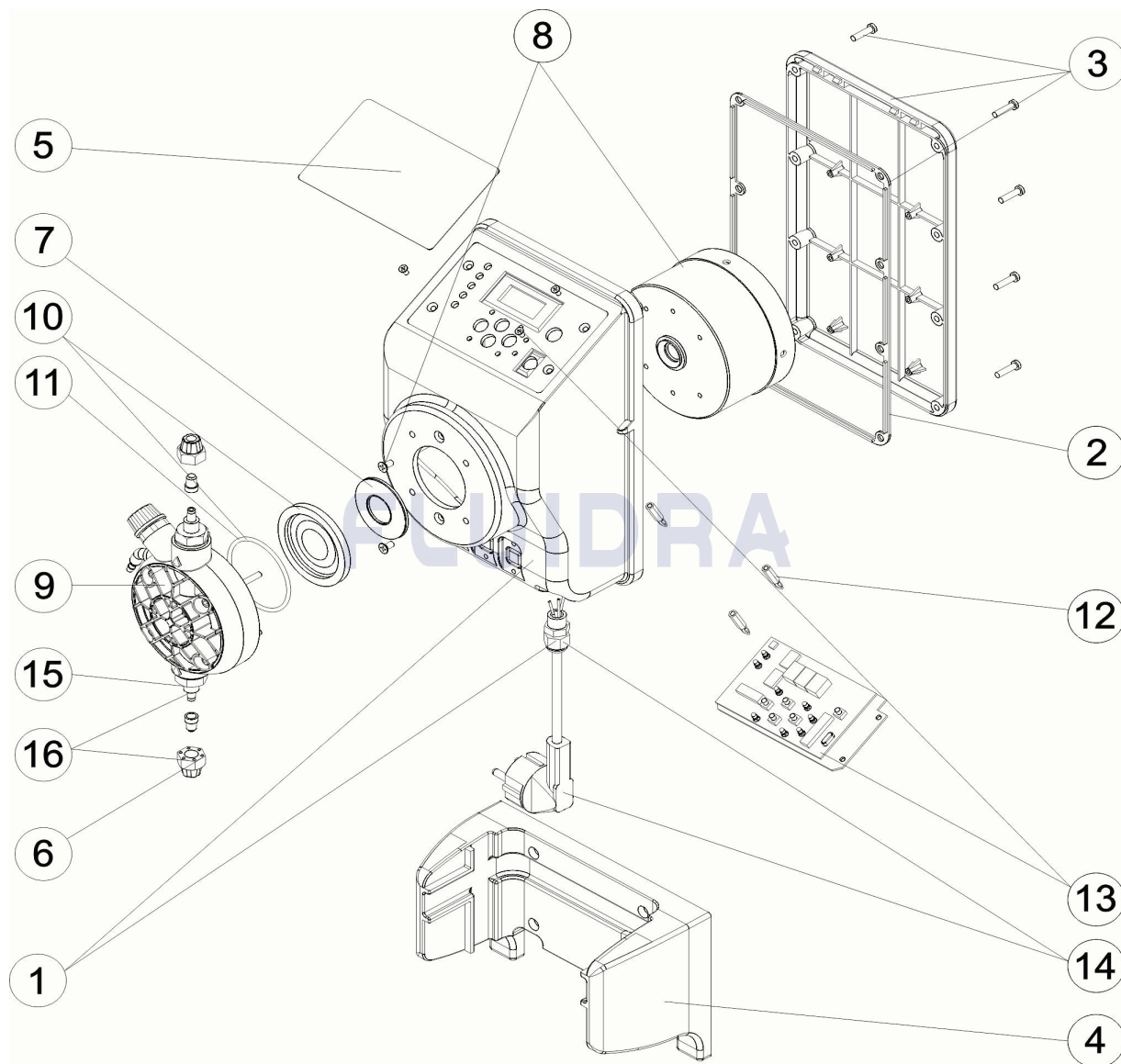
DESCRIPTION: **EXACTUS VOLUMETRIC DOSING PUMP**

OBSERVATIONS

| POS | CODE | OBSERVATIONS |
|-----|--------------|-------------------|
| 7 | * 4408031119 | FOR: 25372 |
| 7 | * 4408031121 | FOR: 25373 |
| 7 | * 4408031122 | FOR: 25374 |
| 8 | * 4408031114 | FOR: 25372 |
| 8 | * 4408030517 | FOR: 25373 |
| 8 | * 4408031116 | FOR: 25374 |
| 9 | * 4408031205 | FOR: 25372, 25373 |
| 9 | * 4408030409 | FOR: 25374 |
| 10 | * 4408030119 | FOR: 25372, 25373 |
| 10 | * 4408030429 | FOR: 25374 |
| 11 | * 4408030111 | FOR: 25372, 25373 |
| 11 | * 4408030413 | FOR: 25374 |

CODICE 25372, 25373, 25374

DESCRIZIONE: POMPA DOSIFICATRICE EXACTUS VOLUMETRICA



ITALIANO

| POS | CODICE | DESCRIZIONE | QUANTITA' | POS | CODICE | DESCRIZIONE | QUANTITA' |
|-----|--------------|--|-----------|-----|--------------|--------------------------------------|-----------|
| 1 | 4408031101 | CASSA POMPA EXACTUS | | 10 | * 4408030119 | MEMBRANA COMPLETA | |
| 2 | 4408031102 | GUARNIZIONE CASSA POMPA | | 10 | * 4408030429 | MEMBRANA COMPLETA 20L 5KG | |
| 3 | 4408031103 | COPRIVENTOLA POMPA | | 11 | * 4408030111 | O-RING PER TESTA | |
| 4 | 4408031104 | SUPPORTO POMPA | | 11 | * 4408030413 | O-RING TESTA 20L 5KG | |
| 5 | 4408031206 | PANNELLO DIGITALE VFT/MB | | 12 | 4408031204 | DISTANCIANTE PANNELLO COMANDI 17 M/M | |
| 6 | 4408030126 | GHIERA FISSAGGIO TUBO | | 13 | 4408031208 | CIRCUITO ELETTRONICO VFT/MB. 230V | |
| 7 | * 4408031119 | RONDELLA PISTONE 2L 5KG - 2L 10KG - 5L | | 14 | 4408031221 | CAVO DI ALIMENTAZIONE | |
| 7 | * 4408031121 | RONDELLA PISTONE 10L 5KG | | 15 | 4408030115 | VALVOLA DUTRAL + SUPPORTO | |
| 7 | * 4408031122 | RONDELLA PISTONE 20L 5KG | | 15 | 4408030116 | VALVOLA + SUPPORTO | |
| 8 | * 4408031114 | ELETTROCALAMITA 5L 10KG | | 15 | 4408030117 | VALVOLA SILICONE + SUPPORTO | |
| 8 | * 4408030517 | ELETTROCALAMITA 10L 5KG | | 16 | 4408030112 | CORPO RACCORDO + VALVOLA IN DUTRAL | |
| 8 | * 4408031116 | ELETTROCALAMITA 25366 | | 16 | 4408030113 | CORPO RACCORDO + VALVOLA IN VITON | |
| 9 | * 4408031205 | TESTA COMPLETA | | 16 | 4408030114 | CORPO RACCORDO + VALVOLA IN SILICON | |

CODICE **25372, 25373, 25374**DESCRIZIONE: **POMPA DOSIFICATRICE EXACTUS VOLUMETRICA**

| | | | | | |
|---|--------------|--------------------------|--|--|--|
| 9 | * 4408030409 | TESTA COMPLETA 20L. 5KG. | | | |
|---|--------------|--------------------------|--|--|--|

CODICE **25372, 25373, 25374**

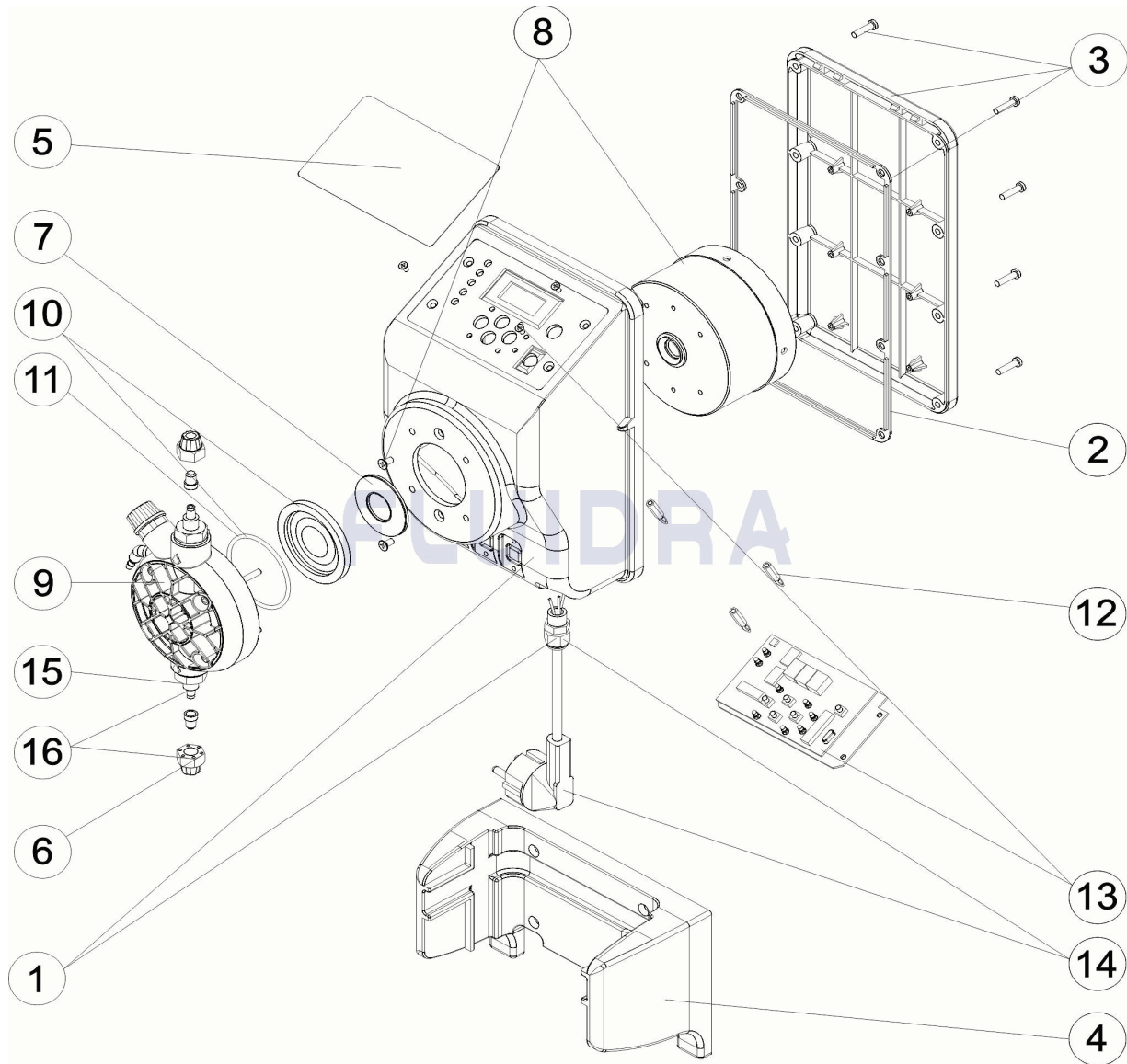
DESCRIZIONE: **POMPA DOSIFICATRICE EXACTUS VOLUMETRICA**

OSSERVAZIONI

| POS | CODICE | OSSERVAZIONI |
|-----|--------------|-------------------|
| 7 | * 4408031119 | PER: 25372 |
| 7 | * 4408031121 | PER: 25373 |
| 7 | * 4408031122 | PER: 25374 |
| 8 | * 4408031114 | PER: 25372 |
| 8 | * 4408030517 | PER: 25373 |
| 8 | * 4408031116 | PER: 25374 |
| 9 | * 4408031205 | PER: 25372, 25373 |
| 9 | * 4408030409 | PER: 25374 |
| 10 | * 4408030119 | PER: 25372, 25373 |
| 10 | * 4408030429 | PER: 25374 |
| 11 | * 4408030111 | PER: 25372, 25373 |
| 11 | * 4408030413 | PER: 25374 |

CODE 25372, 25373, 25374

BESCHREIBUNG: DOSIERPUMPE EXACTUS VOLUMETRISCH



DEUTSCH

| POS | CODE | BESCHREIBUNG | MENGE | POS | CODE | BESCHREIBUNG | MENGE |
|-----|--------------|---|-------|-----|--------------|---------------------------------|-------|
| 1 | 4408031101 | PUMPENGEHÄUSE EXACTUS | | 10 | * 4408030119 | KOMPLETTMEMBERAN | |
| 2 | 4408031102 | DICHTUNG PUMPENGEHÄUSE | | 10 | * 4408030429 | KOMPLETTMEMBERAN 20 L 5 KG | |
| 3 | 4408031103 | ABDECKUNG HINTEN PUMPE | | 11 | * 4408030111 | O-RING KOPFSTÜCK | |
| 4 | 4408031104 | HALTERUNG PUMPE | | 11 | * 4408030413 | O-RING KOPFSTÜCK 20 L 5 KG | |
| 5 | 4408031206 | TOUCHSCREEN VFT/MB | | 12 | 4408031204 | DISTANZSTÜCK TOUCHSCREEN 17 MM | |
| 6 | 4408030126 | MUTTER BEFESTIGUNG ROHR | | 13 | 4408031208 | PLATINE SCHALTKEIS VFT/MB 230 V | |
| 7 | * 4408031119 | KOLBENSCHLEIBE 2 L 5 KG - 2 L 10 KG - 5 L | | 14 | 4408031221 | VERSORUNGSKABEL | |
| 7 | * 4408031121 | KOLBENSCHLEIBE 10 L 5 KG | | 15 | 4408030115 | VENTIL DUTRAL MIT HALTERUNG | |
| 7 | * 4408031122 | KOLBENSCHLEIBE 20 L 5 KG | | 15 | 4408030116 | VENTIL VITON MIT HALTERUNG | |
| 8 | * 4408031114 | ELEKTROMAGNET 5 L 10 KG | | 15 | 4408030117 | VENTIL SILIKON MIT HALTERUNG | |
| 8 | * 4408030517 | ELEKTROMAGNET 10 L 5 KG | | 16 | 4408030112 | VENTILSATZ MIT DUTRAL | |
| 8 | * 4408031116 | ELEKTROMAGNET 25366 | | 16 | 4408030113 | VENTILSATZ MIT VITON | |
| 9 | * 4408031205 | KOPFSTÜCK KOMPLETT | | 16 | 4408030114 | VENTILSATZ MIT SILIKON | |

* SIEHE ANMERKUNGSBLATT

CODE **25372, 25373, 25374**BESCHREIBUNG: **DOSIERPUMPE EXACTUS VOLUMETRISCH**

| | | | | | |
|---|--------------|------------------------------|--|--|--|
| 9 | * 4408030409 | KOPFSTÜCK KOMPLETT 20 L 5 KG | | | |
|---|--------------|------------------------------|--|--|--|

CODE **25372, 25373, 25374**

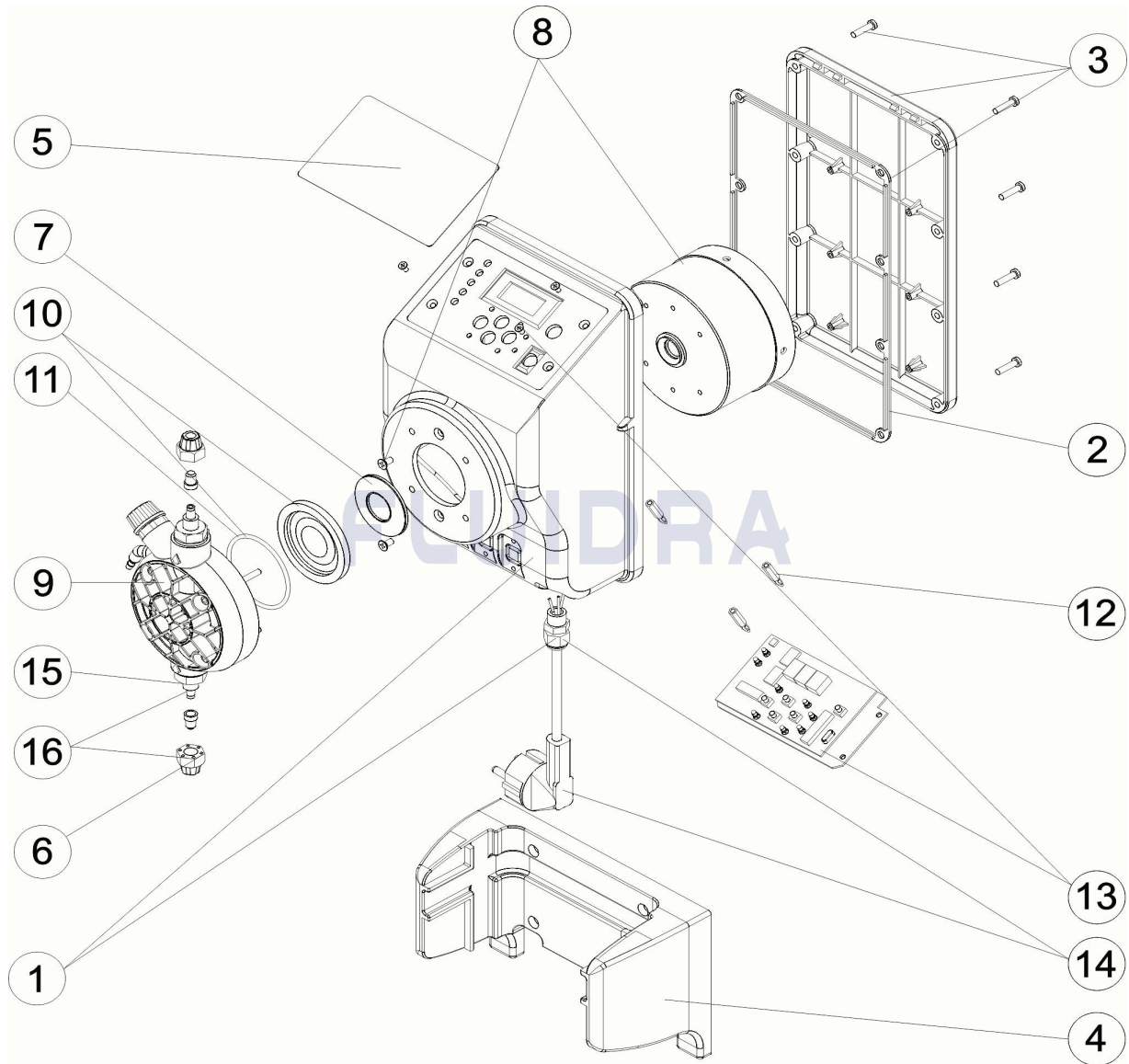
BESCHREIBUNG: **DOSIERPUMPE EXACTUS VOLUMETRISCH**

HINWEISE

| POS | CODE | HINWEISE |
|-----|--------------|-------------------|
| 7 | * 4408031119 | FÜR: 25372 |
| 7 | * 4408031121 | FÜR: 25373 |
| 7 | * 4408031122 | FÜR: 25374 |
| 8 | * 4408031114 | FÜR: 25372 |
| 8 | * 4408030517 | FÜR: 25373 |
| 8 | * 4408031116 | FÜR: 25374 |
| 9 | * 4408031205 | FÜR: 25372, 25373 |
| 9 | * 4408030409 | FÜR: 25374 |
| 10 | * 4408030119 | FÜR: 25372, 25373 |
| 10 | * 4408030429 | FÜR: 25374 |
| 11 | * 4408030111 | FÜR: 25372, 25373 |
| 11 | * 4408030413 | FÜR: 25374 |

CODIGO 25372, 25373, 25374

DESCRIÇÃO: BOMBA DOSEADORA EXACTUS VOLUMÉTRICA



PORTUGUES

| POS | CODIGO | DESCRIÇÃO | JANTIDADE | POS | CODIGO | DESCRIÇÃO | JANTIDADE |
|-----|--------------|---|-----------|-----|--------------|---------------------------------------|-----------|
| 1 | 4408031101 | CAIXA BOMBA EXACTUS | | 10 | * 4408030119 | MEMBRANA COMPLETA | |
| 2 | 4408031102 | JUNTA CAIXA BOMBA | | 10 | * 4408030429 | MEMBRANA COMPLETA 20L 5KG | |
| 3 | 4408031103 | TAMPA TRASEIRA BOMBA | | 11 | * 4408030111 | JUNTA TORICA CABEÇAL | |
| 4 | 4408031104 | SUPORTE BOMBA | | 11 | * 4408030413 | JUNTA TORICA CABEÇAL 20L 5KG | |
| 5 | 4408031206 | PAINEL DIGITAL TÁCTIL VFT/MB | | 12 | 4408031204 | DISTANCIADOR DE PAINEL TACTIL 17 M/M. | |
| 6 | 4408030126 | PORCA SUJEIÇÃO TUBO | | 13 | 4408031208 | CIRCUITO ELECTRONICO VFT/MB. 230V. | |
| 7 | * 4408031119 | ANILHA PISTON 2L 5KG - 2L 10KG - 5L 10K | | 14 | 4408031221 | CABO ALIMENTAÇÃO | |
| 7 | * 4408031121 | ANILHA PISTON 10L 5KG | | 15 | 4408030115 | VÁLVULA DUTRAL + SUPORTE | |
| 7 | * 4408031122 | ANILHA PISTON 20L 5KG | | 15 | 4408030116 | VÁLVULA VITON + SUPORTE | |
| 8 | * 4408031114 | ELECTROIMAN 5L 10KG | | 15 | 4408030117 | VÁLVULA SILICONE + SUPORTE | |
| 8 | * 4408030517 | ELECTROIMAN 10L 5KG | | 16 | 4408030112 | CORPO RACORD + DUTRAL | |
| 8 | * 4408031116 | ELECTROIMAN 25366 | | 16 | 4408030113 | CORPO RACORD + VITON | |
| 9 | * 4408031205 | CABEÇAL COMPLETO | | 16 | 4408030114 | CORPO RACORD + SILICONE | |

*** VEJA A FICHA DE OBSERVAÇÕES**

CODIGO **25372, 25373, 25374**DESCRIÇÃO: **BOMBA DOSEADORA EXACTUS VOLUMÉTRICA**

| | | | | | |
|---|--------------|----------------------------|--|--|--|
| 9 | * 4408030409 | CABEÇAL COMPLETO 20L. 5KG. | | | |
|---|--------------|----------------------------|--|--|--|

CODIGO **25372, 25373, 25374**

DESCRIÇÃO: BOMBA DOSEADORA EXACTUS VOLUMÉTRICA

OBSERVAÇÕES

| POS | CODIGO | OBSERVAÇÕES |
|-----|--------------|--------------------|
| 7 | * 4408031119 | PARA: 25372 |
| 7 | * 4408031121 | PARA: 25373 |
| 7 | * 4408031122 | PARA: 25374 |
| 8 | * 4408031114 | PARA: 25372 |
| 8 | * 4408030517 | PARA: 25373 |
| 8 | * 4408031116 | PARA: 25374 |
| 9 | * 4408031205 | PARA: 25372, 25373 |
| 9 | * 4408030409 | PARA: 25374 |
| 10 | * 4408030119 | PARA: 25372, 25373 |
| 10 | * 4408030429 | PARA: 25374 |
| 11 | * 4408030111 | PARA: 25372, 25373 |
| 11 | * 4408030413 | PARA: 25374 |