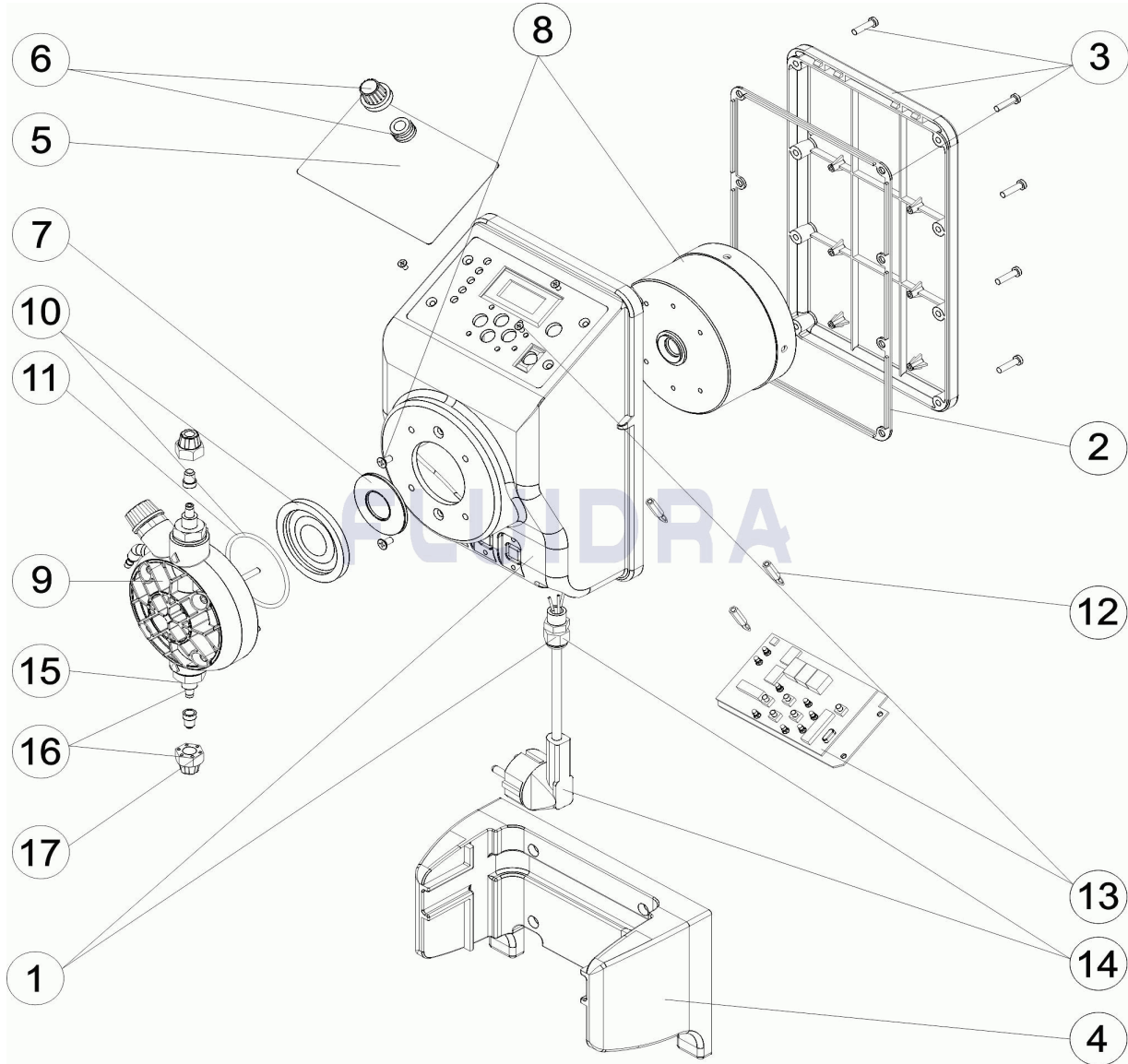


**CODIGO 33837, 33838, 33839, 33840, 33841, 33842**

**DESCRIPCION: BOMBA DOSIFICADORA EXACTUS MANUAL**



**ESPAÑOL**

POS	CODIGO	DESCRIPCION	CANTIDAD	POS	CODIGO	DESCRIPCION	CANTIDAD
1	4408031101	CAJA BOMBA EXACTUS		8	* 4408031116	ELECTROIMAN 25366	
2	4408031102	JUNTA CAJA BOMBA		9	* 4408031205	CABEZAL COMPLETO	
3	4408031103	TAPA TRASERA BOMBA		9	* 4408030409	CABEZAL COMPLETO 20L. 5KG.	
4	4408031104	SOPORTE BOMBA		10	* 4408030119	MEMBRANA COMPLETA	
5	4408031805	PANEL TACTIL MA/AD		10	* 4408030429	MEMBRANA COMPLETA 20L 5KG	
6	4408031806	ARANDELA Y MANDO POTENCIOMETRO		11	* 4408030111	JUNTA TORICA CABEZAL	
7	* 4408030531	ARANDELA PISTON 5L 7KG		11	* 4408030413	JUNTA TORICA CABEZAL 20L 5KG	
7	* 4408031119	ARANDELA PISTON 2L 5KG - 2L 10KG - 5L 1		12	4408031204	DISTANCIADOR PANEL TACTIL 17M/M.	
7	* 4408031121	ARANDELA PISTON 10L 5KG		13	4408032306	CIRCUITO ELECTRONICO MA/AD. 230/240V	
7	* 4408031122	ARANDELA PISTON 20L 5KG		14	4408031221	CABLE ALIMENTACION	
8	* 4408030921	ELECTROIMAN 2 L. 5KG		15	4408030115	VALVULA DUTRAL + SOPORTE	
8	* 4408031112	ELECTROIMAN 2L 10KG		15	4408030116	VALVULA VITON + SOPORTE	
8	* 4408030118	ELECTROIMAN COMPLETO 5L 7KG		15	4408030117	VALVULA SILICONA + SOPORTE	

**\* NOTA OBSERVACIONES**

**CODIGO 33837, 33838, 33839, 33840, 33841, 33842**

**DESCRIPCION: BOMBA DOSIFICADORA EXACTUS MANUAL**

8	* 4408031114	ELECTROIMAN 5L 10KG	16	4408030112	CUERPO RACORD + DUTRAL
8	* 4408030517	ELECTROIMAN 10L 5KG	16	4408030113	CUERPO RACORD + VITON
16	4408030114	CUERPO RACORD + SILICONA	17	4408030126	TUERCA SUJECCION TUBO

**CODIGO 33837, 33838, 33839, 33840, 33841, 33842**

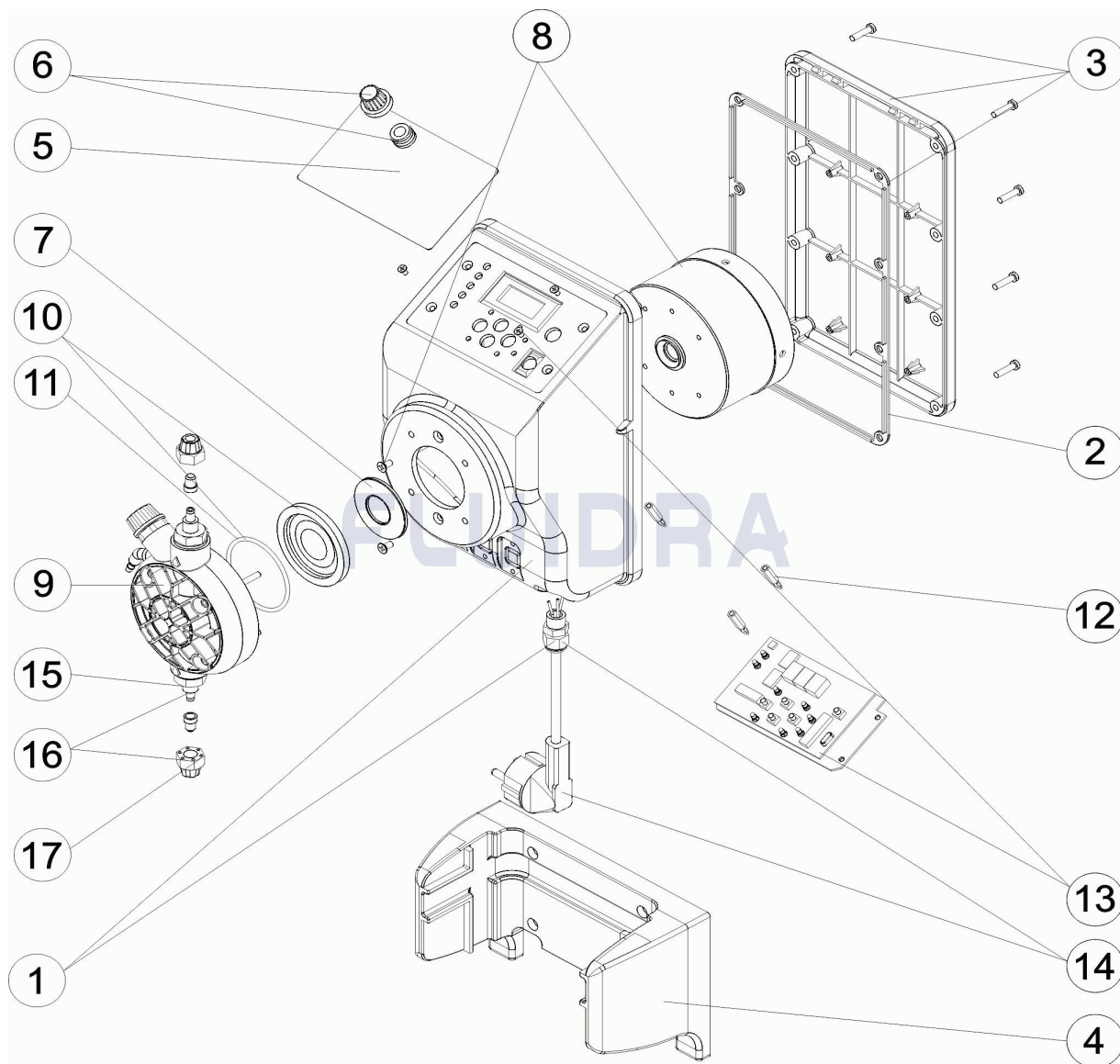
**DESCRIPCION: BOMBA DOSIFICADORA EXACTUS MANUAL**

## OBSERVACIONES

POS	CODIGO	OBSERVACIONES
7	* 4408030531	PARA: 33837, 33838
7	* 4408031119	PARA: 33839, 33840
7	* 4408031121	PARA: 33841
7	* 4408031122	PARA: 33842
8	* 4408030921	PARA: 33837
8	* 4408031112	PARA: 33838
8	* 4408030118	PARA: 33839
8	* 4408031114	PARA: 33840
8	* 4408030517	PARA: 33841
8	* 4408031116	PARA: 33842
9	* 4408031205	PARA: 33837, 33838, 33839, 33840, 33841
9	* 4408030409	PARA: 33842
10	* 4408030119	PARA: 33837, 33838, 33839, 33840, 33841
10	* 4408030429	PARA: 33842
11	* 4408030111	PARA: 33837, 33838, 33839, 33840, 33841
11	* 4408030413	PARA: 33842

CODE 33837, 33838, 33839, 33840, 33841, 33842

DESCRIPTION: POMPE DOSEUSE EXACTUS MANUELLE



FRANCAIS

POS	CODE	DESCRIPTION	QUANTITE	POS	CODE	DESCRIPTION	QUANTITE
1	4408031101	BOITIER DE POMPE EXACTUS		8	* 4408031116	ELECTROAIMANT 25366	
2	4408031102	JOINT BOITIER DE POMPE		9	* 4408031205	TETE COMPLET	
3	4408031103	COUVERCLE POMPE		9	* 4408030409	TETE COMPLET 20L. 5KG.	
4	4408031104	SUPPORT DE POMPE		10	* 4408030119	MEMBRANE COMPLETE	
5	4408031805	TABLEAU DE CONTROLE TACTILE MA/AD		10	* 4408030429	MEMBRANE COMPLETE 20L 5KG	
6	4408031806	RONDELLE ET TÉLÉCOMMANDE POTENTI		11	* 4408030111	JOINT TORIQUE TETE	
7	* 4408030531	RONDELLE PISTON 5L 7KG		11	* 4408030413	JOINT TORIQUE TETE 20L 5KG	
7	* 4408031119	RONDELLE PISTON 2L 5KG - 2L 10KG - 5L		12	4408031204	DISTANCIATEUR PANEAU TACTILE	
7	* 4408031121	RONDELLE PISTON 10L 5KG		13	4408032306	CIRCUIT ELECTRONIQUE MAM. 2009	
7	* 4408031122	RONDELLE PISTON 20L 5KG		14	4408031221	CABLE ALIMENTATION	
8	* 4408030921	ELECTROAIMANT 2 L. 5KG		15	4408030115	CLAPET DUTRAL + SUPPORT	
8	* 4408031112	ELECTROAIMANT 2L 10KG		15	4408030116	CLAPET VITON + SUPPORT	
8	* 4408030118	ELECTROAIMANT COMPLETO 5L 7KG		15	4408030117	CLAPET SILICONA + SUPPORT	

\* VOIR FICHE D'OBSERVATIONS

CODE **33837, 33838, 33839, 33840, 33841, 33842**

DESCRIPTION: **POMPE DOSEUSE EXACTUS MANUELLE**

8	* 4408031114	ELECTROAIMANT 5L 10KG	16	4408030112	CORPS RACCORD + CLAPET DUTRAL
8	* 4408030517	ELECTROAIMANT 10L 5KG	16	4408030113	CORPS RACCORD + CLAPET VITON
16	4408030114	CORPS RACCORD + CLAPET SILICONE	17	4408030126	ECROU DE TUBE D'ASPIRATION

CODE **33837, 33838, 33839, 33840, 33841, 33842**

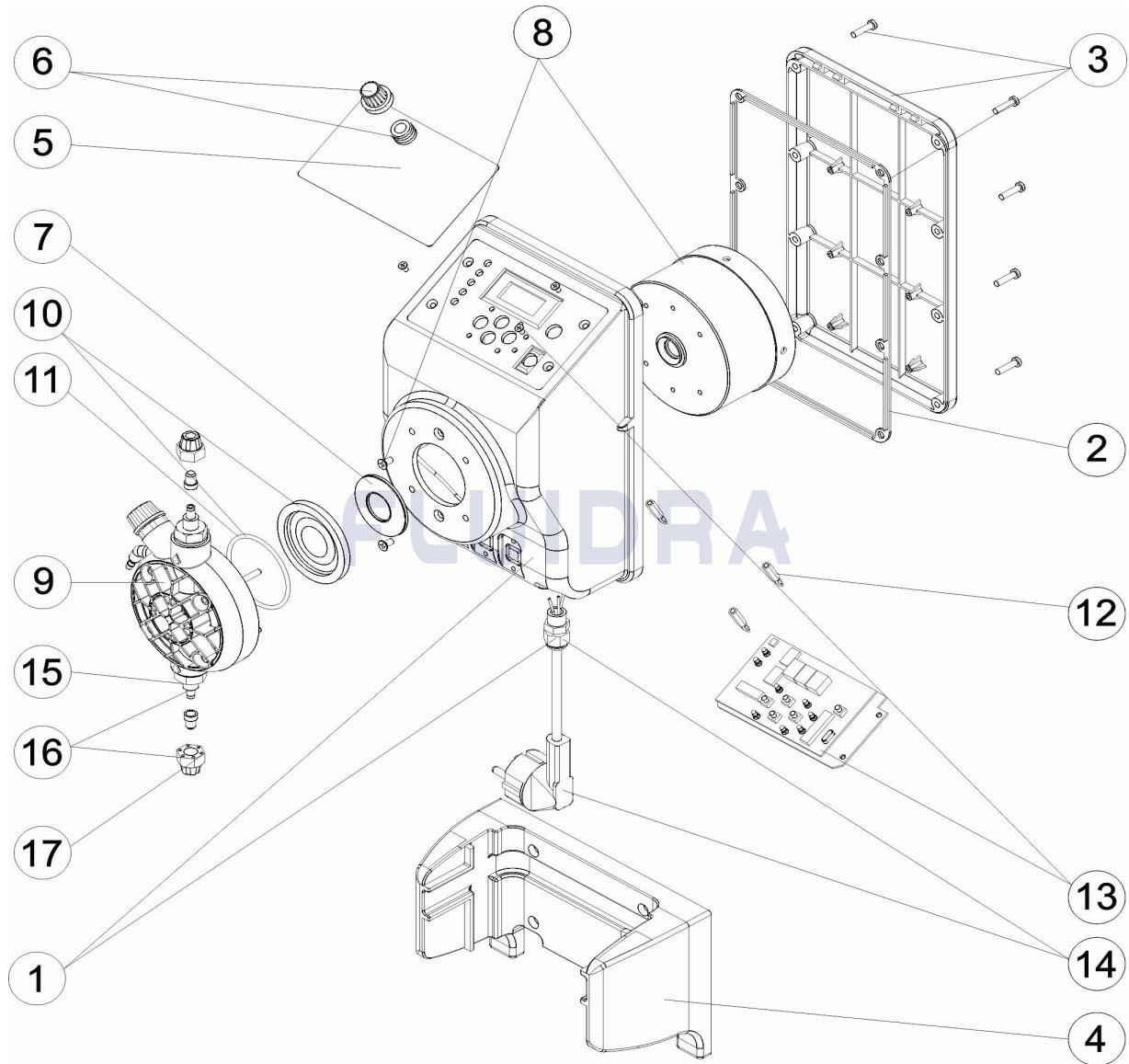
DESCRIPTION: **POMPE DOSEUSE EXACTUS MANUELLE**

## OBSERVATIONS

POS	CODE	OBSERVATIONS
7	* 4408030531	POUR: 33837, 33838
7	* 4408031119	POUR: 33839, 33840
7	* 4408031121	POUR: 33841
7	* 4408031122	POUR: 33842
8	* 4408030921	POUR: 33837
8	* 4408031112	POUR: 33838
8	* 4408030118	POUR: 33839
8	* 4408031114	POUR: 33840
8	* 4408030517	POUR: 33841
8	* 4408031116	POUR: 33842
9	* 4408031205	POUR: 33837, 33838, 33839, 33840, 33841
9	* 4408030409	POUR: 33842
10	* 4408030119	POUR: 33837, 33838, 33839, 33840, 33841
10	* 4408030429	POUR: 33842
11	* 4408030111	POUR: 33837, 33838, 33839, 33840, 33841
11	* 4408030413	POUR: 33842

CODE 33837, 33838, 33839, 33840, 33841, 33842

DESCRIPTION: EXACTUS MANUAL DOSING PUMP



**ENGLISH**

POS	CODE	DESCRIPTION	QUANTITY	POS	CODE	DESCRIPTION	QUANTITY
1	4408031101	EXACTUS PUMP BOX		8	* 4408031116	ELECTROMAGNET 25366	
2	4408031102	PUMP BOX SEAL		9	* 4408031205	COMPLETE HEAD ASSEMBLY	
3	4408031103	PUMP REAR COVER		9	* 4408030409	COMPLETE HEAD ASSEMBLY 20L. 5KG.	
4	4408031104	PUMP SUPPORT		10	* 4408030119	DIAPHRAM COMPLETE	
5	4408031805	TOUCH SCREEN PANEL MA/AD		10	* 4408030429	DIAPHRAM COMPLETE 20L 5KG	
6	4408031806	WASHER AND POTENTIOMETER KNOB		11	* 4408030111	HEAD O RING	
7	* 4408030531	PISTON WASHER 5L 7KG		11	* 4408030413	HEAD O RING 20L 5KG	
7	* 4408031119	PISTON WASHER 2L 5KG - 2L 10KG - 5L 10l		12	4408031204	SUPPORT FOR ELECTRONIC CIRCUIT	
7	* 4408031121	PISTON WASHER 10L 5KG		13	4408032306	ELECTRONIC CIRCUIT MA/AD 2009	
7	* 4408031122	PISTON WASHER 20L 5KG		14	4408031221	SUPPLY CABLE	
8	* 4408030921	ELECTROMAGNET 2 L. 5KG		15	4408030115	DUTRAL VALVE + SUPPORT	
8	* 4408031112	ELECTROMAGNET 2L 10KG		15	4408030116	VITON VALVE + SUPPORT	
8	* 4408030118	ELECTROMAGNET ASSEMBLY COMPLETE		15	4408030117	SILICON VALVE + SUPPORT	

\* SEE OBSERVATIONS SHEET

CODE                    **33837, 33838, 33839, 33840, 33841, 33842**

DESCRIPTION: **EXACTUS MANUAL DOSING PUMP**

8	* 4408031114	ELECTROMAGNET 5L 10KG	16	4408030112	HEAD CONNECTOR BODY + DUTRAL
8	* 4408030517	ELECTROMAGNET 10L 5KG	16	4408030113	HEAD CONNECTOR BODY + VITON
16	4408030114	HEAD CONNECTOR BODY + SILICON	17	4408030126	SUCTION TUBE NUT



CODE **33837, 33838, 33839, 33840, 33841, 33842**

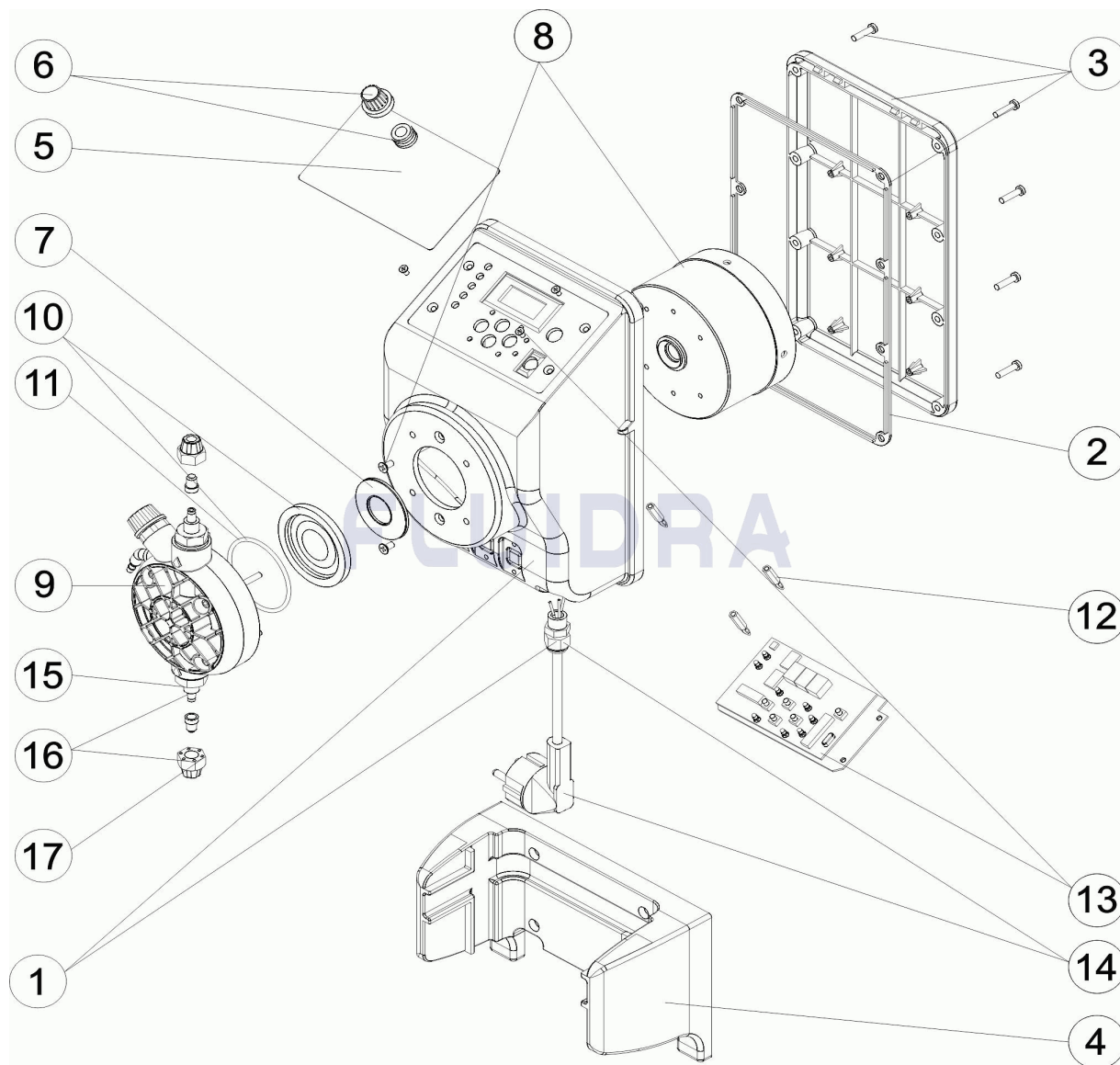
DESCRIPTION: **EXACTUS MANUAL DOSING PUMP**

## OBSERVATIONS

POS	CODE	OBSERVATIONS
7	* 4408030531	FOR: 33837, 33838
7	* 4408031119	FOR: 33839, 33840
7	* 4408031121	FOR: 33841
7	* 4408031122	FOR: 33842
8	* 4408030921	FOR: 33837
8	* 4408031112	FOR: 33838
8	* 4408030118	FOR: 33839
8	* 4408031114	FOR: 33840
8	* 4408030517	FOR: 33841
8	* 4408031116	FOR: 33842
9	* 4408031205	FOR: 33837, 33838, 33839, 33840, 33841
9	* 4408030409	FOR: 33842
10	* 4408030119	FOR: 33837, 33838, 33839, 33840, 33841
10	* 4408030429	FOR: 33842
11	* 4408030111	FOR: 33837, 33838, 33839, 33840, 33841
11	* 4408030413	FOR: 33842

CODICE 33837, 33838, 33839, 33840, 33841, 33842

DESCRIZIONE: POMPA DOSIFICATRICE EXACTUS MANUALE



ITALIANO

POS	CODICE	DESCRIZIONE	QUANTITA'	POS	CODICE	DESCRIZIONE	QUANTITA'
1	4408031101	CASSA POMPA EXACTUS		8	* 4408031116	ELETTROCALAMITA 25366	
2	4408031102	GUARNIZIONE CASSA POMPA		9	* 4408031205	TESTA COMPLETA	
3	4408031103	COPRIVENTOLA POMPA		9	* 4408030409	TESTA COMPLETA 20L. 5KG.	
4	4408031104	SUPPORTO POMPA		10	* 4408030119	MEMBRANA COMPLETA	
5	4408031805	PANNELLO DIGITALE MA/AD		10	* 4408030429	MEMBRANA COMPLETA 20L 5KG	
6	4408031806	RONDELLA E COMANDO POTENZIOMETRICO		11	* 4408030111	O-RING PER TESTA	
7	* 4408030531	RONDELLA PISTONE 5L 7KG		11	* 4408030413	O-RING TESTA 20L 5KG	
7	* 4408031119	RONDELLA PISTONE 2L 5KG - 2L 10KG - 5L		12	4408031204	DISTANCIANTE PANNELLO COMANDI 17 M/M	
7	* 4408031121	RONDELLA PISTONE 10L 5KG		13	4408032306	CIRCUITO ELETTRONICO MA/AD. 2009	
7	* 4408031122	RONDELLA PISTONE 20L 5KG		14	4408031221	CAVO DI ALIMENTAZIONE	
8	* 4408030921	ELETTROCALAMITA 2 L. 5KG		15	4408030115	VALVOLA DUTRAL + SUPPORTO	
8	* 4408031112	ELETTROCALAMITA 2L 10KG		15	4408030116	VALVOLA + SUPPORTO	
8	* 4408030118	ELETTROCALAMITA COMPLETA 5L 7KG		15	4408030117	VALVOLA SILICONE + SUPPORTO	

\* SI FACCIAMO RIFERIMENTO AL FOGLIO DELLE OSSERVAZIONI

CODICE                    **33837, 33838, 33839, 33840, 33841, 33842**

DESCRIZIONE: **POMPA DOSIFICATRICE EXACTUS MANUALE**

8	* 4408031114	ELETTROCALAMITA 5L 10KG	16	4408030112	CORPO RACCORDO + VALVOLA IN DUTRAL
8	* 4408030517	ELETTROCALAMITA 10L 5KG	16	4408030113	CORPO RACCORDO + VALVOLA IN VITON
16	4408030114	CORPO RACCORDO + VALVOLA IN SILICOI	17	4408030126	GHIERA FISSAGGIO TUBO

**CODICE**                    **33837, 33838, 33839, 33840, 33841, 33842**

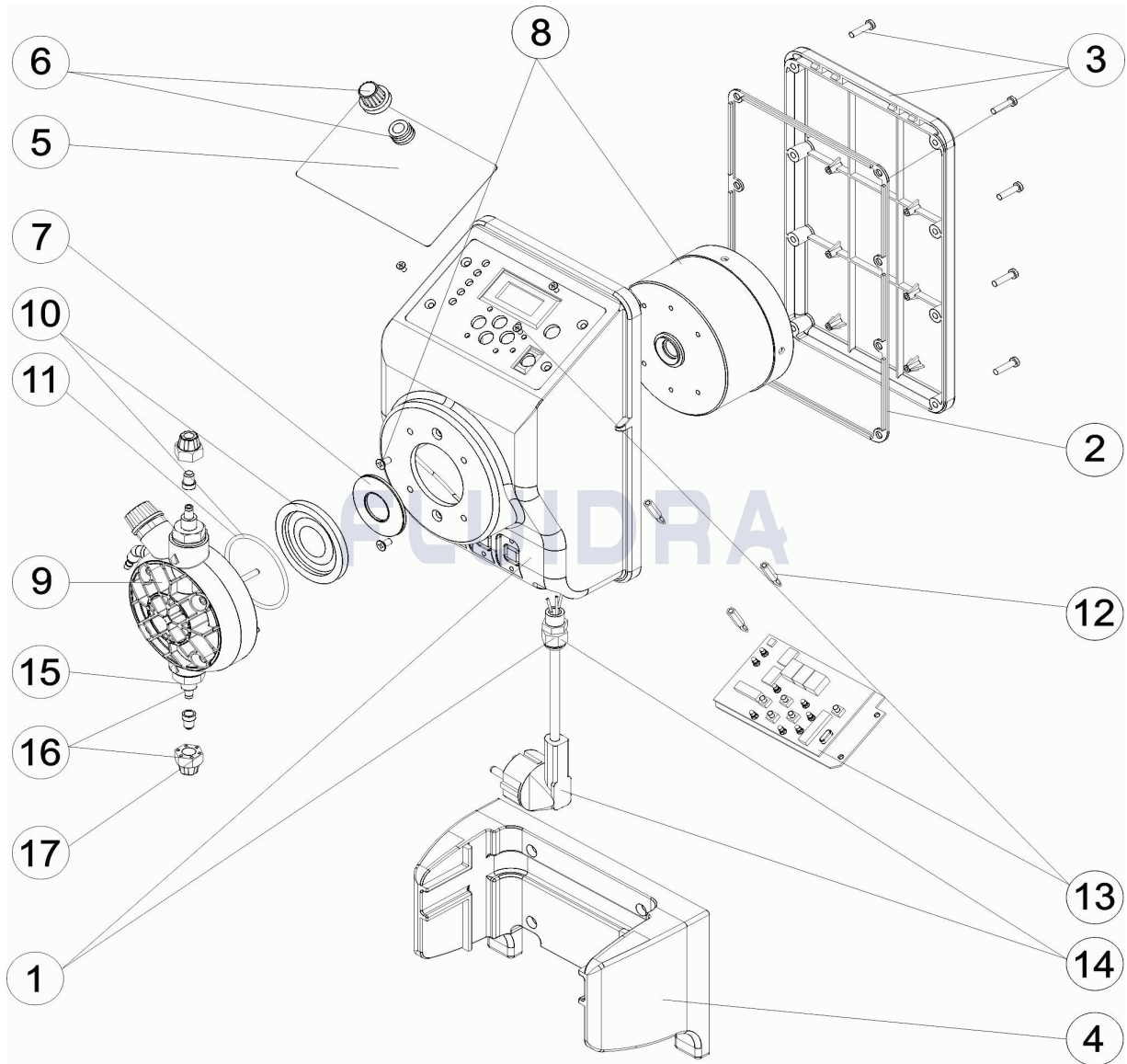
**DESCRIZIONE: POMPA DOSIFICATRICE EXACTUS MANUALE**

## OSSERVAZIONI

POS	CODICE	OSSERVAZIONI
7	* 4408030531	PER: 33837, 33838
7	* 4408031119	PER: 33839, 33840
7	* 4408031121	PER: 33841
7	* 4408031122	PER: 33842
8	* 4408030921	PER: 33837
8	* 4408031112	PER: 33838
8	* 4408030118	PER: 33839
8	* 4408031114	PER: 33840
8	* 4408030517	PER: 33841
8	* 4408031116	PER: 33842
9	* 4408031205	PER: 33837, 33838, 33839, 33840, 33841
9	* 4408030409	PER: 33842
10	* 4408030119	PER: 33837, 33838, 33839, 33840, 33841
10	* 4408030429	PER: 33842
11	* 4408030111	PER: 33837, 33838, 33839, 33840, 33841
11	* 4408030413	PER: 33842

CODE **33837, 33838, 33839, 33840, 33841, 33842**

BESCHREIBUNG: **DOSIERPUMPE EXACTUS MANUELL**



**DEUTSCH**

POS	CODE	BESCHREIBUNG	MENGE	POS	CODE	BESCHREIBUNG	MENGE
1	4408031101	PUMPENGEHÄUSE EXACTUS		8	* 4408031116	ELEKTROMAGNET 25366	
2	4408031102	DICHTUNG PUMPENGEHÄUSE		9	* 4408031205	KOPFSTÜCK KOMPLETT	
3	4408031103	ABDECKUNG HINTEN PUMPE		9	* 4408030409	KOPFSTÜCK KOMPLETT 20 L 5 KG	
4	4408031104	HALTERUNG PUMPE		10	* 4408030119	KOMPLETTMEMBERAN	
5	4408031805	TOUCHSCREEN MA/AD		10	* 4408030429	KOMPLETTMEMBERAN 20 L 5 KG	
6	4408031806	UNTERLEGSSCHEIBE UND STEUERUNG PC		11	* 4408030111	O-RING KOPFSTÜCK	
7	* 4408030531	KOLBENSCHIEBE 5 L 7 KG		11	* 4408030413	O-RING KOPFSTÜCK 20 L 5 KG	
7	* 4408031119	KOLBENSCHIEBE 2 L 5 KG - 2 L 10 KG - 5 L		12	4408031204	DISTANZSTÜCK TOUCHSCREEN 17 MM	
7	* 4408031121	KOLBENSCHIEBE 10 L 5 KG		13	4408032306	PLATINE SCHALTKREIS MA/AD. 230/240 V 2	
7	* 4408031122	KOLBENSCHIEBE 20 L 5 KG		14	4408031221	VERSORGUNGSKABEL	
8	* 4408030921	ELEKTROMAGNET 2 L 5 KG		15	4408030115	VENTIL DUTRAL MIT HALTERUNG	
8	* 4408031112	ELEKTROMAGNET 2 L 10 KG		15	4408030116	VENTIL VITON MIT HALTERUNG	
8	* 4408030118	ELEKTROMAGNET KOMPLETT 5 L 7 KG		15	4408030117	VENTIL SILIKON MIT HALTERUNG	

\* SIEHE ANMERKUNGSBLATT

CODE **33837, 33838, 33839, 33840, 33841, 33842**

BESCHREIBUNG: **DOSIERPUMPE EXACTUS MANUELL**

8	* 4408031114	ELEKTROMAGNET 5 L 10 KG	16	4408030112	VENTILSATZ MIT DUTRAL
8	* 4408030517	ELEKTROMAGNET 10 L 5 KG	16	4408030113	VENTILSATZ MIT VITON
16	4408030114	VENTILSATZ MIT SILIKON	17	4408030126	MUTTER BEFESTIGUNG ROHR

CODE **33837, 33838, 33839, 33840, 33841, 33842**

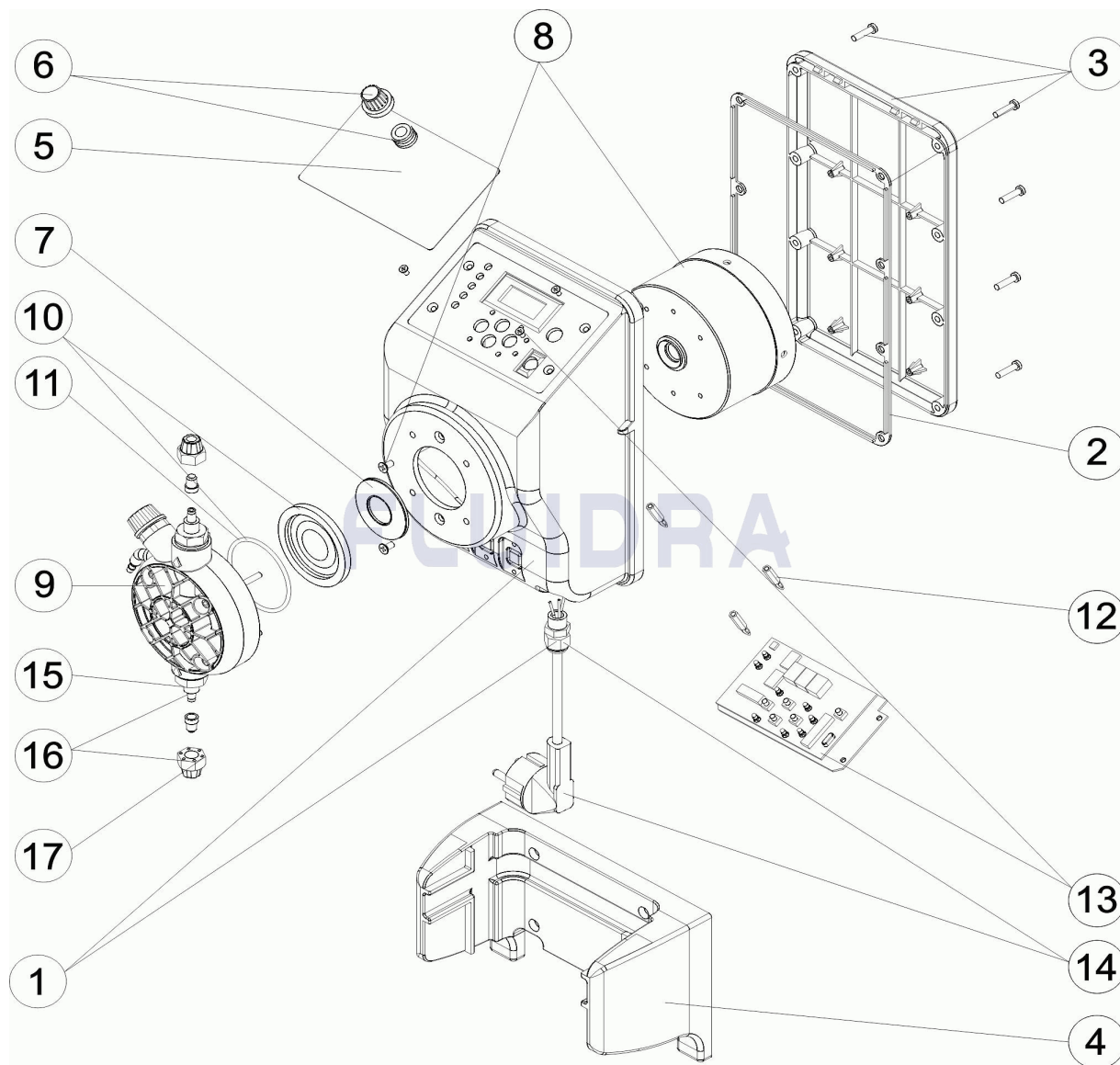
BESCHREIBUNG: **DOSIERPUMPE EXACTUS MANUELL**

## HINWEISE

POS	CODE	HINWEISE
7	* 4408030531	FÜR: 33837, 33838
7	* 4408031119	FÜR: 33839, 33840
7	* 4408031121	FÜR: 33841
7	* 4408031122	FÜR: 33842
8	* 4408030921	FÜR: 33837
8	* 4408031112	FÜR: 33838
8	* 4408030118	FÜR: 33839
8	* 4408031114	FÜR: 33840
8	* 4408030517	FÜR: 33841
8	* 4408031116	FÜR: 33842
9	* 4408031205	FÜR: 33837, 33838, 33839, 33840, 33841
9	* 4408030409	FÜR: 33842
10	* 4408030119	FÜR: 33837, 33838, 33839, 33840, 33841
10	* 4408030429	FÜR: 33842
11	* 4408030111	FÜR: 33837, 33838, 33839, 33840, 33841
11	* 4408030413	FÜR: 33842

**CODIGO 33837, 33838, 33839, 33840, 33841, 33842**

**DESCRICAÇÃO: BOMBA DOSEADORA EXACTUS MANUAL**



**PORTUGUES**

POS	CODIGO	DESCRICAÇÃO	JANTIDADE	POS	CODIGO	DESCRICAÇÃO	JANTIDADE
1	4408031101	CAIXA BOMBA EXACTUS		8	* 4408031116	ELECTROIMAN 25366	
2	4408031102	JUNTA CAIXA BOMBA		9	* 4408031205	CABEÇAL COMPLETO	
3	4408031103	TAMPA TRASEIRA BOMBA		9	* 4408030409	CABEÇAL COMPLETO 20L. 5KG.	
4	4408031104	SUPORTE BOMBA		10	* 4408030119	MEMBRANA COMPLETA	
5	4408031805	PAINEL DIGITAL TÁCTIL MA/AD		10	* 4408030429	MEMBRANA COMPLETA 20L 5KG	
6	4408031806	ANILHA E COMANDO POTENCIOMETRO		11	* 4408030111	JUNTA TORICA CABEÇAL	
7	* 4408030531	ANILHA PISTON 5L 7KG		11	* 4408030413	JUNTA TORICA CABEÇAL 20L 5KG	
7	* 4408031119	ANILHA PISTON 2L 5KG - 2L 10KG - 5L 10KG		12	4408031204	DISTANCIADOR DE PAINEL TACTIL 17 M/M.	
7	* 4408031121	ANILHA PISTON 10L 5KG		13	4408032306	CIRCUITO ELECTRONICO MA/AD. 2009	
7	* 4408031122	ANILHA PISTON 20L 5KG		14	4408031221	CABO ALIMENTAÇÃO	
8	* 4408030921	ELECTROIMAN 2 L. 5KG		15	4408030115	VÁLVULA DUTRAL + SUPORTE	
8	* 4408031112	ELECTROIMAN 2L 10KG		15	4408030116	VÁLVULA VITON + SUPORTE	
8	* 4408030118	ELECTROIMAN COMPLETO 5L 7KG		15	4408030117	VÁLVULA SILICONE + SUPORTE	

**\* VEJA A FICHA DE OBSERVAÇÕES**



**CODIGO 33837, 33838, 33839, 33840, 33841, 33842**

**DESCRIÇÃO: BOMBA DOSEADORA EXACTUS MANUAL**

8	* 4408031114	ELECTROIMAN 5L 10KG	16	4408030112	CORPO RACORD + DUTRAL
8	* 4408030517	ELECTROIMAN 10L 5KG	16	4408030113	CORPO RACORD + VITON
16	4408030114	CORPO RACORD + SILICONE	17	4408030126	PORCA SUJEIÇÃO TUBO

**CODIGO 33837, 33838, 33839, 33840, 33841, 33842**

**DESCRIÇÃO: BOMBA DOSEADORA EXACTUS MANUAL**

## OBSERVAÇÕES

POS	CODIGO	OBSERVAÇÕES
7	* 4408030531	PARA: 33837, 33838
7	* 4408031119	PARA: 33839, 33840
7	* 4408031121	PARA: 33841
7	* 4408031122	PARA: 33842
8	* 4408030921	PARA: 33837
8	* 4408031112	PARA: 33838
8	* 4408030118	PARA: 33839
8	* 4408031114	PARA: 33840
8	* 4408030517	PARA: 33841
8	* 4408031116	PARA: 33842
9	* 4408031205	PARA: 33837, 33838, 33839, 33840, 33841
9	* 4408030409	PARA: 33842
10	* 4408030119	PARA: 33837, 33838, 33839, 33840, 33841
10	* 4408030429	PARA: 33842
11	* 4408030111	PARA: 33837, 33838, 33839, 33840, 33841
11	* 4408030413	PARA: 33842