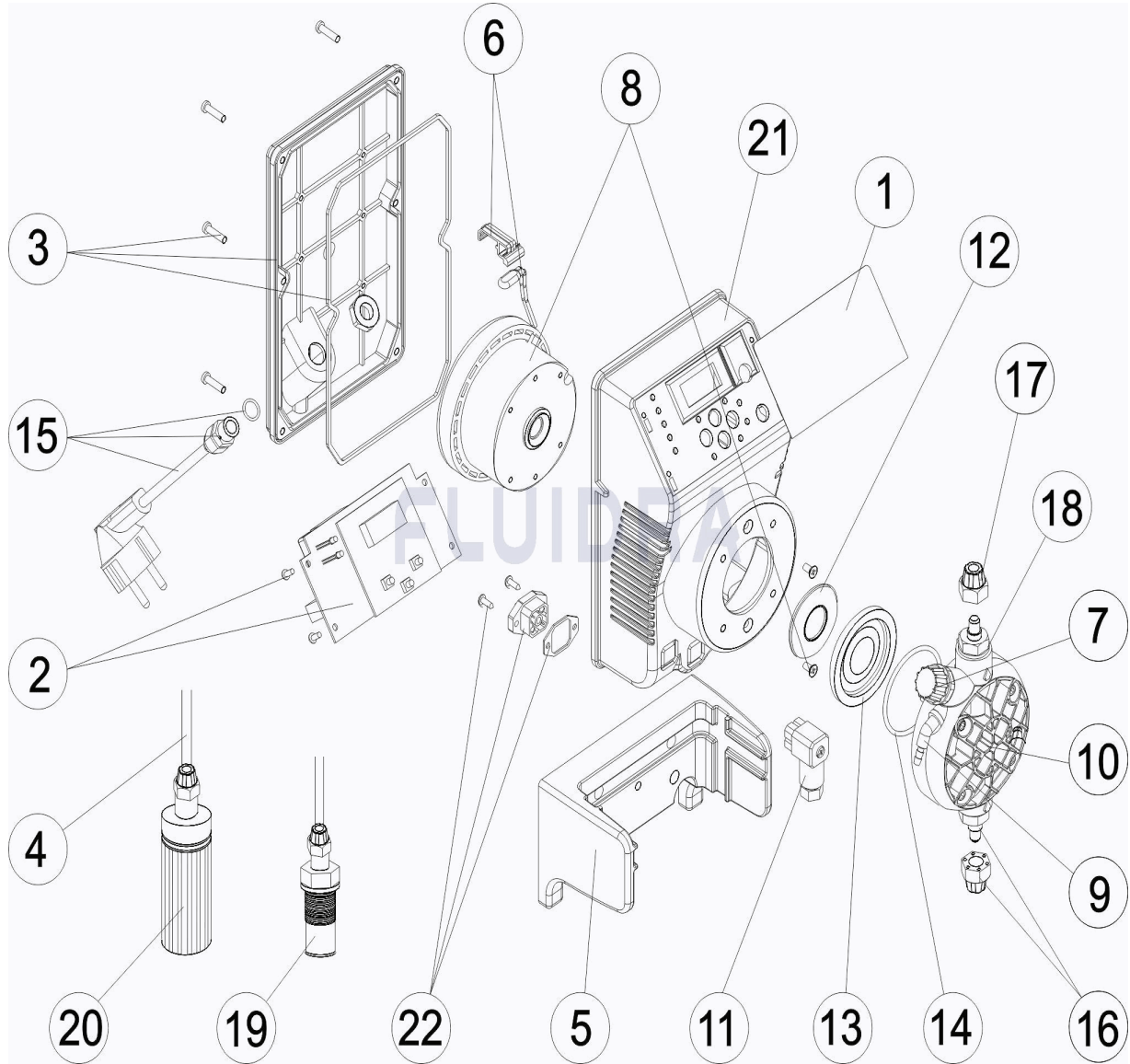


CODIGO **43486, 43487, 43488, 43489, 43490**

DESCRIPCION: **BOMBA EXACTUS MANUAL DIGITAL MA/MB**



ESPAÑOL

POS	CODIGO	DESCRIPCION	CANTIDAD	POS	CODIGO	DESCRIPCION	CANTIDAD
1	4408032401	PANEL TACTIL MA/MB EXACTUS 2009		11	4408031729	CONECTOR DE NIVEL	
2	4408031701	CIRCUITO ELECTRONICO DLX-MA/MB		12	* 4408031119	ARANDELA PISTON 2L 5KG - 2L 10KG - 5L 1	
3	4408030025	TAPA POSTERIOR EXACTUS CON JUNTA		12	* 4408030531	ARANDELA PISTON 5L 7KG	
4	4408031405	CONECTOR MACHO		12	* 4408031121	ARANDELA PISTON 10L 5KG	
5	4408032303	SOPORTE EXACTUS 2009		12	* 4408031122	ARANDELA PISTON 20L 5KG	
6	4408032305	SOPORTE MAS TERMOSTADO 110°		13	* 4408030119	MEMBRANA COMPLETA	
7	4408032308	TAPON PURGA CABEZAL CP STD		13	* 4408030429	MEMBRANA COMPLETA 20L 5KG	
8	* 4408031112	ELECTROIMAN 2L 10KG		14	* 4408030111	JUNTA TORICA CABEZAL	
8	* 4408030118	ELECTROIMAN COMPLETO 5L 7KG		14	* 4408030413	JUNTA TORICA CABEZAL 20L 5KG	
8	* 4408031114	ELECTROIMAN 5L 10KG		15	4408031221	CABLE ALIMENTACION	
8	* 4408030517	ELECTROIMAN 10L 5KG		16	4408030112	CUERPO RACORD + DUTRAL	
8	* 4408032309	ELECTROIMAN 20L.-5KG.		16	4408030113	CUERPO RACORD + VITON	
9	4408031203	RACOR PURGA CABEZAL		16	4408030114	CUERPO RACORD + SILICONA	

*** NOTA OBSERVACIONES**

CODIGO **43486, 43487, 43488, 43489, 43490**

DESCRIPCION: **BOMBA EXACTUS MANUAL DIGITAL MA/MB**

10	* 4408031205	CABEZAL COMPLETO	17	4408030126	TUERCA SUJECCION TUBO
10	* 4408030409	CABEZAL COMPLETO 20L. 5KG.	18	4408030115	VALVULA DUTRAL + SOPORTE
18	4408030116	VALVULA VITON + SOPORTE	20	4408030123	FILTRO ASPIRACION COMPLETO
18	4408030117	VALVULA SILICONA + SOPORTE	21	4408030122	TUBO ASPIRACION/IMPULSION
19	4408030121	VALVULA INYECCION COMPLETA	22	57174R0001	CAJA EXACTUS

CODIGO 43486, 43487, 43488, 43489, 43490

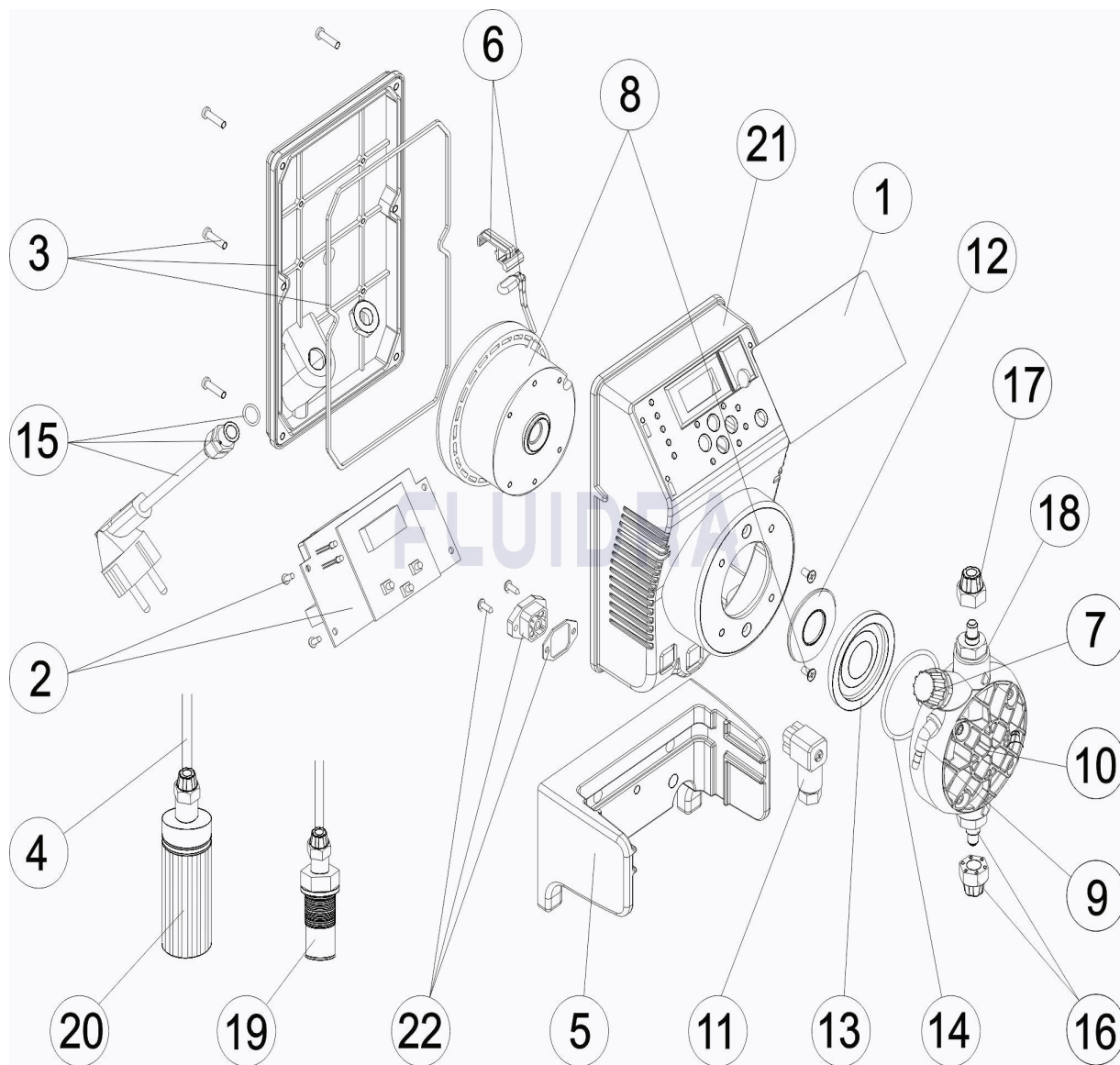
DESCRIPCION: BOMBA EXACTUS MANUAL DIGITAL MA/MB

OBSERVACIONES

POS	CODIGO	OBSERVACIONES
8	* 4408031112	PARA: 43486
8	* 4408030118	PARA: 43487
8	* 4408031114	PARA: 43488
8	* 4408030517	PARA: 43489
8	* 4408032309	PARA: 43490
10	* 4408031205	PARA: 43486, 43487, 43488, 43489
10	* 4408030409	PARA: 43490
12	* 4408031119	PARA: 43486, 43487
12	* 4408030531	PARA: 43488
12	* 4408031121	PARA: 43489
12	* 4408031122	PARA: 43490
13	* 4408030119	PARA: 43486, 43487, 43488, 43489
13	* 4408030429	PARA: 43490
14	* 4408030111	PARA: 43486, 43487, 43488, 43489
14	* 4408030413	PARA: 43490

CODE 43486, 43487, 43488, 43489, 43490

DESCRIPTION: POMPE EXACTUS MANUELLE NUMÉRIQUE MA/MB



FRANCAIS

POS	CODE	DESCRIPTION	QUANTITE	POS	CODE	DESCRIPTION	QUANTITE
1	4408032401	TABLEAU DE CONTROLE TACTILE MA/MB I		11	4408031729	CONECTEUR DE NIVEAU	
2	4408031701	CIRCUIT ELECTRONIQUE DLX-MA/M.		12	* 4408031119	RONDELLE PISTON 2L 5KG - 2L 10KG - 5L 1	
3	4408030025	COUVERCLE POMPE EXACTUS		12	* 4408030531	RONDELLE PISTON 5L 7KG	
4	4408031405	CONNECTEUR MÂLE		12	* 4408031121	RONDELLE PISTON 10L 5KG	
5	4408032303	SUPPORT DE POMPE EXACTUS 2009		12	* 4408031122	RONDELLE PISTON 20L 5KG	
6	4408032305	SUPPORT + THERMOSTAT DE 110 °		13	* 4408030119	MEMBRANE COMPLETE	
7	4408032308	BOUCHON PURGE		13	* 4408030429	MEMBRANE COMPLETE 20L 5KG	
8	* 4408031112	ELECTROAIMANT 2L 10KG		14	* 4408030111	JOINT TORIQUE TETE	
8	* 4408030118	ELECTROAIMANT COMPLETO 5L 7KG		14	* 4408030413	JOINT TORIQUE TETE 20L 5KG	
8	* 4408031114	ELECTROAIMANT 5L 10KG		15	4408031221	CABLE ALIMENTATION	
8	* 4408030517	ELECTROAIMANT 10L 5KG		16	4408030112	CORPS RACCORD + CLAPET DUTRAL	
8	* 4408032309	ELECTROAIMANT 20L. 5KG		16	4408030113	CORPS RACCORD + CLAPET VITON	
9	4408031203	RACCOR PURGE		16	4408030114	CORPS RACCORD + CLAPET SILICONE	

* VOIR FICHE D'OBSERVATIONS

CODE **43486, 43487, 43488, 43489, 43490**

DESCRIPTION: **POMPE EXACTUS MANUELLE NUMÉRIQUE MA/MB**

10	* 4408031205	TETE COMPLET	17	4408030126	ECROU DE TUBE D'ASPIRATION
10	* 4408030409	TETE COMPLET 20L. 5KG.	18	4408030115	CLAPET DUTRAL + SUPPORT
18	4408030116	CLAPET VITON + SUPPORT	20	4408030123	FILTRE ASPIRATION COMPLETE
18	4408030117	CLAPET SILICONA + SUPPORT	21	4408030122	TUBE ASPIRATION/IMPULSION
19	4408030121	VANNE INJECTION COMPLETE	22	57174R0001	BOITIER DE POMPE EXACTUS

CODE **43486, 43487, 43488, 43489, 43490**

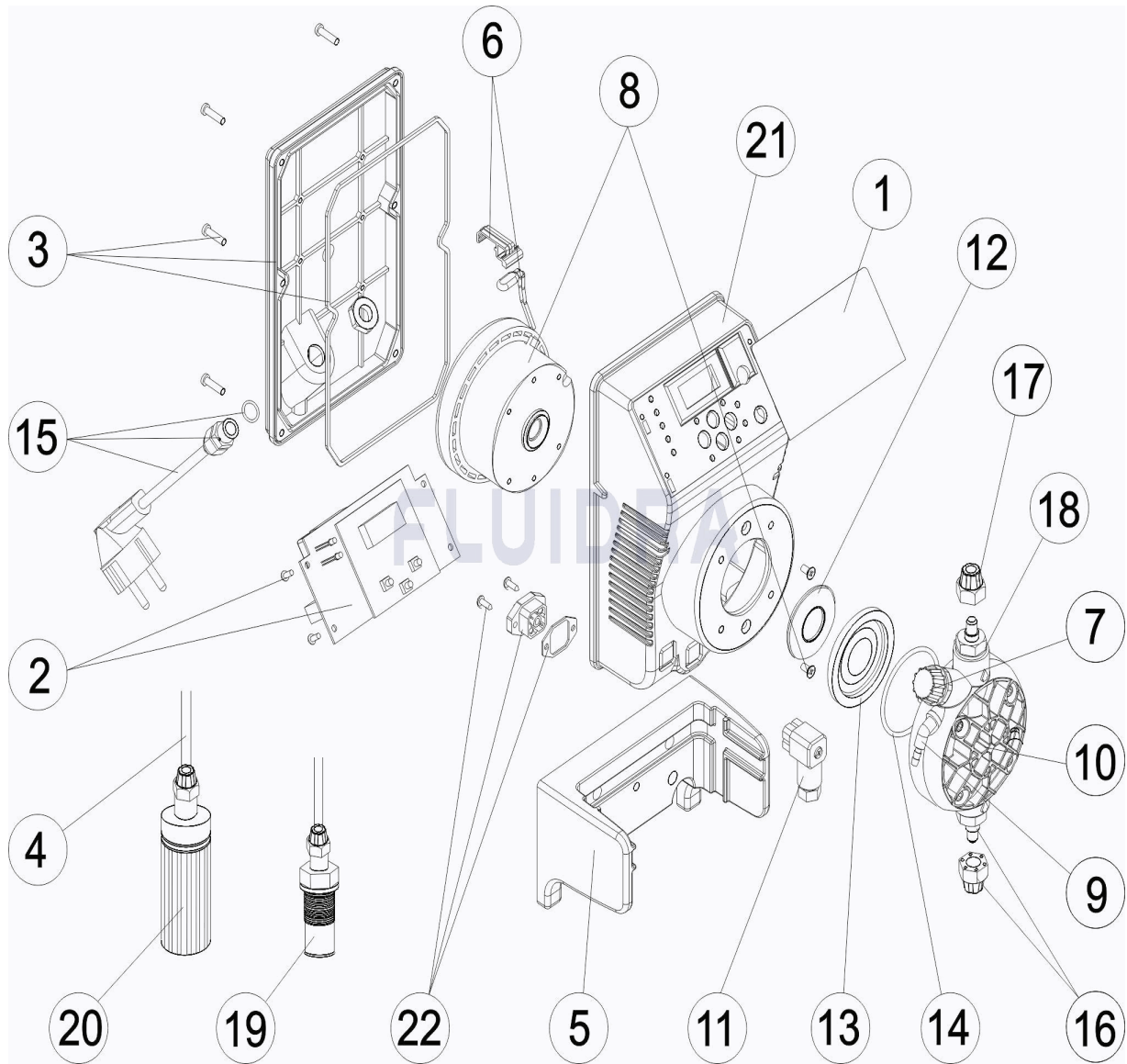
DESCRIPTION: **POMPE EXACTUS MANUELLE NUMÉRIQUE MA/MB**

OBSERVATIONS

POS	CODE	OBSERVATIONS
8	* 4408031112	POUR: 43486
8	* 4408030118	POUR: 43487
8	* 4408031114	POUR: 43488
8	* 4408030517	POUR: 43489
8	* 4408032309	POUR: 43490
10	* 4408031205	POUR: 43486, 43487, 43488, 43489
10	* 4408030409	POUR: 43490
12	* 4408031119	POUR: 43486, 43487
12	* 4408030531	POUR: 43488
12	* 4408031121	POUR: 43489
12	* 4408031122	POUR: 43490
13	* 4408030119	POUR: 43486, 43487, 43488, 43489
13	* 4408030429	POUR: 43490
14	* 4408030111	POUR: 43486, 43487, 43488, 43489
14	* 4408030413	POUR: 43490

CODE **43486, 43487, 43488, 43489, 43490**

DESCRIPTION: **EXACTUS MANUAL DIGITAL PUMP MA / MB**



ENGLISH

POS	CODE	DESCRIPTION	QUANTITY	POS	CODE	DESCRIPTION	QUANTITY
1	4408032401	CONNECTOR HEMBRA BNC EXACTUS 2009		11	4408031729	FEMALE CONNECTOR BCN	
2	4408031701	ELECTRONIC CIRCUIT DLX-MA/AD		12	* 4408031119	PISTON WASHER 2L 5KG - 2L 10KG - 5L 10K	
3	4408030025	PUMP REAR COVER		12	* 4408030531	PISTON WASHER 5L 7KG	
4	4408031405	MALE CONNECTOR		12	* 4408031121	PISTON WASHER 10L 5KG	
5	4408032303	PUMP SUPPORT 2009		12	* 4408031122	PISTON WASHER 20L 5KG	
6	4408032305	SUPPORT AND THERMOSTAT 110°		13	* 4408030119	DIAPHRAM COMPLETE	
7	4408032308	DRAIN PLUG		13	* 4408030429	DIAPHRAM COMPLETE 20L 5KG	
8	* 4408031112	ELECTROMAGNET 2L 10KG		14	* 4408030111	HEAD O RING	
8	* 4408030118	ELECTROMAGNET ASSEMBLY COMPLETE		14	* 4408030413	HEAD O RING 20L 5KG	
8	* 4408031114	ELECTROMAGNET 5L 10KG		15	4408031221	SUPPLY CABLE	
8	* 4408030517	ELECTROMAGNET 10L 5KG		16	4408030112	HEAD CONNECTOR BODY + DUTRAL	
8	* 4408032309	ELECTROMAGNET 20L.- 5KG		16	4408030113	HEAD CONNECTOR BODY + VITON	
9	4408031203	PURGE FITTING		16	4408030114	HEAD CONNECTOR BODY + SILICON	

*** SEE OBSERVATIONS SHEET**

CODE **43486, 43487, 43488, 43489, 43490**

DESCRIPTION: **EXACTUS MANUAL DIGITAL PUMP MA / MB**

10	* 4408031205	COMPLETE HEAD ASSEMBLY	17	4408030126	SUCTION TUBE NUT
10	* 4408030409	COMPLETE HEAD ASSEMBLY 20L. 5KG.	18	4408030115	DUTRAL VALVE + SUPPORT
18	4408030116	VITON VALVE + SUPPORT	20	4408030123	FILTER ASSEMBLY
18	4408030117	SILICON VALVE + SUPPORT	21	4408030122	SUCTION/RETURN TUBE
19	4408030121	INJECTOR VALVE ASSEMBLY	22	57174R0001	EXACTUS PUMP BOX

CODE **43486, 43487, 43488, 43489, 43490**

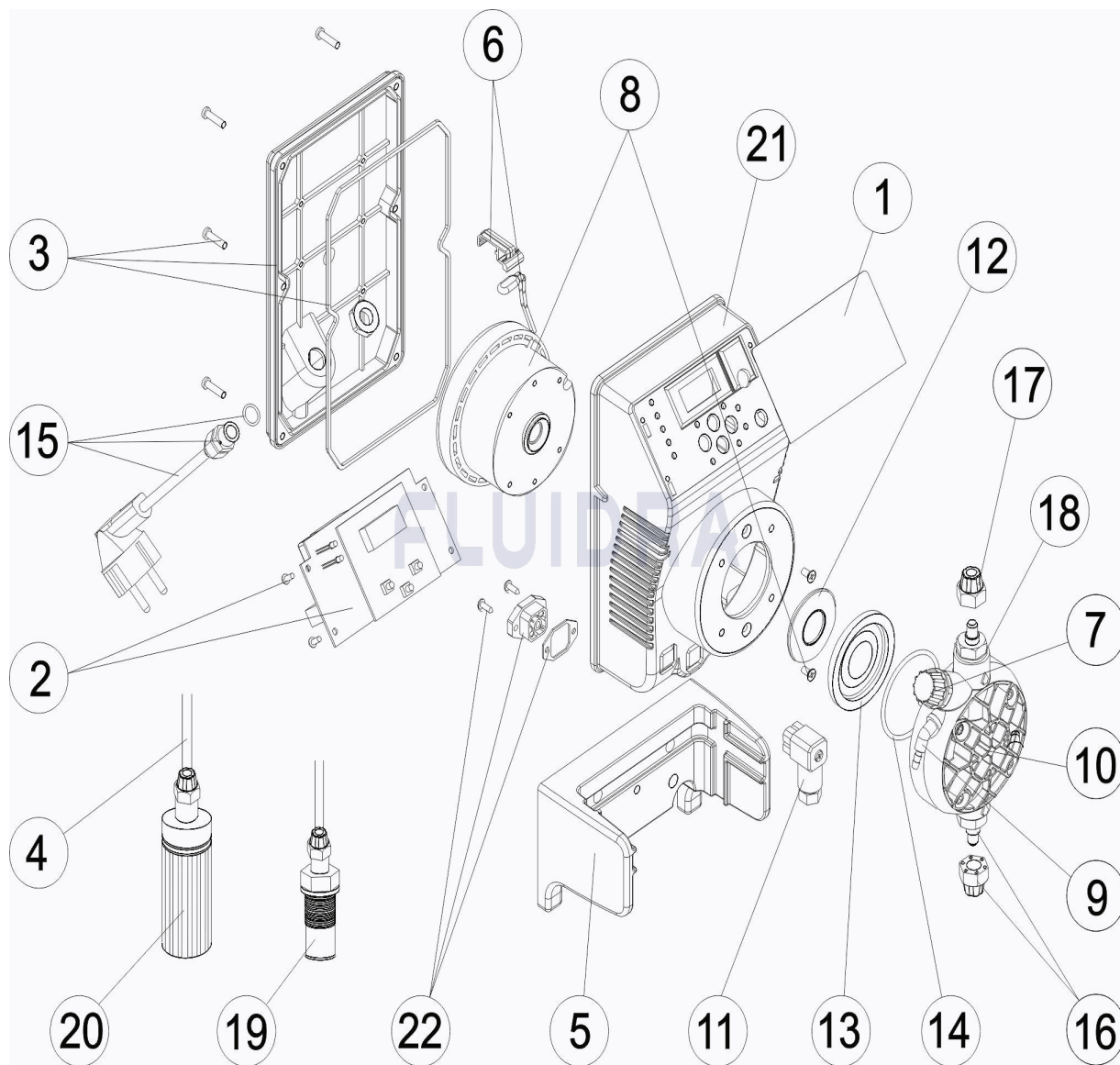
DESCRIPTION: **EXACTUS MANUAL DIGITAL PUMP MA / MB**

OBSERVATIONS

POS	CODE	OBSERVATIONS
8	* 4408031112	FOR: 43486
8	* 4408030118	FOR: 43487
8	* 4408031114	FOR: 43488
8	* 4408030517	FOR: 43489
8	* 4408032309	FOR: 43490
10	* 4408031205	FOR: 43486, 43487, 43488, 43489
10	* 4408030409	FOR: 43490
12	* 4408031119	FOR: 43486, 43487
12	* 4408030531	FOR: 43488
12	* 4408031121	FOR: 43489
12	* 4408031122	FOR: 43490
13	* 4408030119	FOR: 43486, 43487, 43488, 43489
13	* 4408030429	FOR: 43490
14	* 4408030111	FOR: 43486, 43487, 43488, 43489
14	* 4408030413	FOR: 43490

CODICE **43486, 43487, 43488, 43489, 43490**

DESCRIZIONE: **POMPA EXACTUS MANUALE DIGITALE MA/MB**



ITALIANO

POS	CODICE	DESCRIZIONE	QUANTITA'	POS	CODICE	DESCRIZIONE	QUANTITA'
1	4408032401	PANNELLO DIGITALE MA/MB EXACTUS 20C		11	4408031729	CONNETTORE DI LIVELLO	
2	4408031701	CIRCUITO ELETTRONICO DLX-MA/AD.		12	* 4408031119	RONDELLA PISTONE 2L 5KG - 2L 10KG - 5L	
3	4408030025	COPRIVENTOLA POMPA EXACTUS		12	* 4408030531	RONDELLA PISTONE 5L 7KG	
4	4408031405	CONNETTORE MASCHIO		12	* 4408031121	RONDELLA PISTONE 10L 5KG	
5	4408032303	SUPPORTO POMPA EXACTUS 2009		12	* 4408031122	RONDELLA PISTONE 20L 5KG	
6	4408032305	SUPPORTO + TERMOSTATO 110°		13	* 4408030119	MEMBRANA COMPLETA	
7	4408032308	TAPPO SPURGO		13	* 4408030429	MEMBRANA COMPLETA 20L 5KG	
8	* 4408031112	ELETTROCALAMITA 2L 10KG		14	* 4408030111	O-RING PER TESTA	
8	* 4408030118	ELETTROCALAMITA COMPLETA 5L 7KG		14	* 4408030413	O-RING TESTA 20L 5KG	
8	* 4408031114	ELETTROCALAMITA 5L 10KG		15	4408031221	CAVO DI ALIMENTAZIONE	
8	* 4408030517	ELETTROCALAMITA 10L 5KG		16	4408030112	CORPO RACCORDO + VALVOLA IN DUTRAL	
8	* 4408032309	ELETTROCALAMITA 20L 5KG.		16	4408030113	CORPO RACCORDO + VALVOLA IN VITON	
9	4408031203	RACCORDO SCARIO		16	4408030114	CORPO RACCORDO + VALVOLA IN SILICON	

*** SI FACCIÀ RIFERIMENTO AL FOGLIO DELLE OSSERVAZIONI**

CODICE **43486, 43487, 43488, 43489, 43490**

DESCRIZIONE: **POMPA EXACTUS MANUALE DIGITALE MA/MB**

10	* 4408031205	TESTA COMPLETA	17	4408030126	GHIERA FISSAGGIO TUBO
10	* 4408030409	TESTA COMPLETA 20L. 5KG.	18	4408030115	VALVOLA DUTRAL + SUPPORTO
18	4408030116	VALVOLA + SUPPORTO	20	4408030123	FILTRO ASPIRAZIONE COMPLETO
18	4408030117	VALVOLA SILICONE + SUPPORTO	21	4408030122	TUBO DI ASPIRAZIONE/ MANDATA
19	4408030121	VALVOLA INIEZIONE COMPLETA	22	57174R0001	CASSA POMPA EXACTUS

CODICE **43486, 43487, 43488, 43489, 43490**

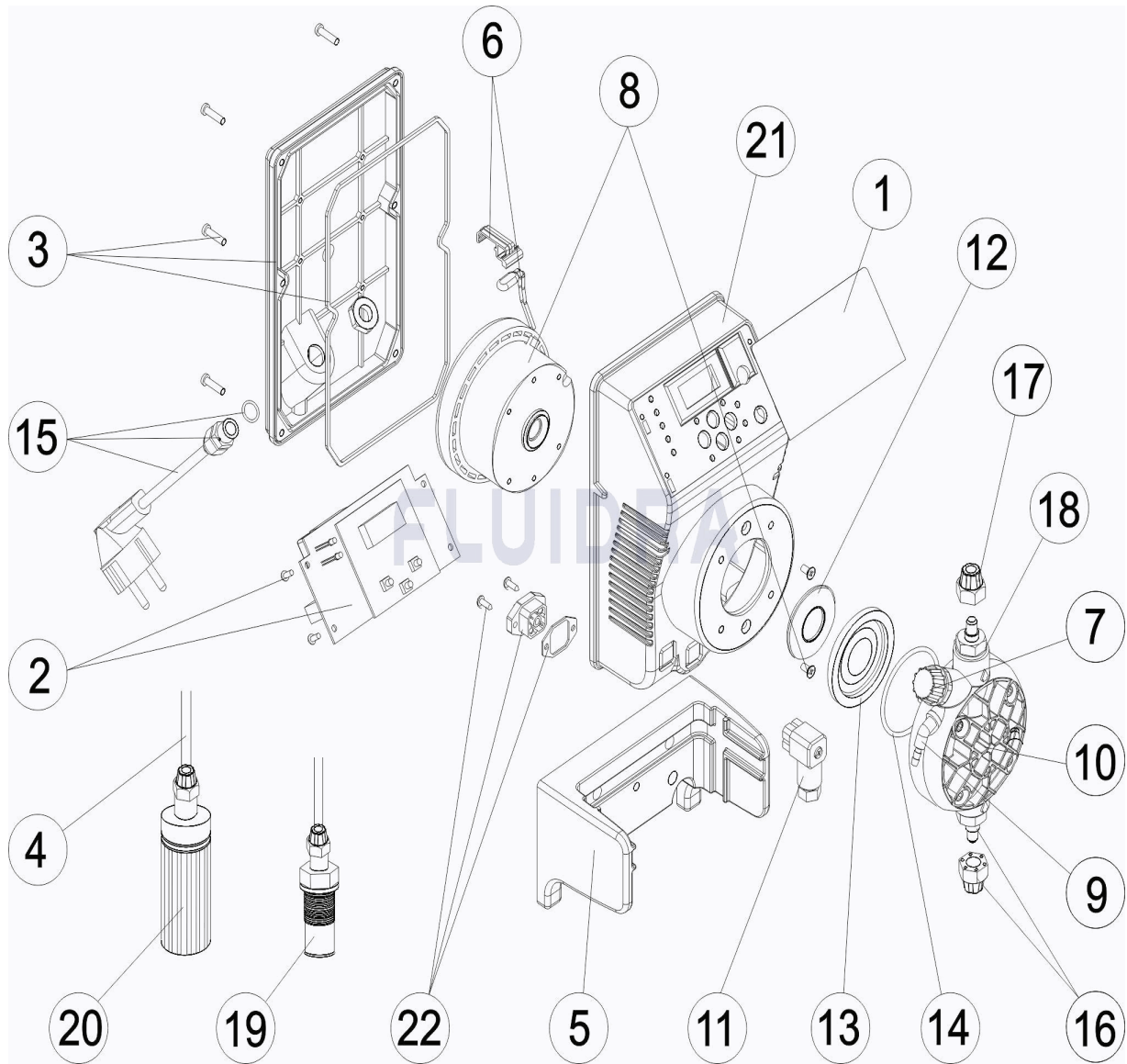
DESCRIZIONE: **POMPA EXACTUS MANUALE DIGITALE MA/MB**

OSSERVAZIONI

POS	CODICE	OSSERVAZIONI
8	* 4408031112	PER: 43486
8	* 4408030118	PER: 43487
8	* 4408031114	PER: 43488
8	* 4408030517	PER: 43489
8	* 4408032309	PER: 43490
10	* 4408031205	PER: 43486, 43487, 43488, 43489
10	* 4408030409	PER: 43490
12	* 4408031119	PER: 43486, 43487
12	* 4408030531	PER: 43488
12	* 4408031121	PER: 43489
12	* 4408031122	PER: 43490
13	* 4408030119	PER: 43486, 43487, 43488, 43489
13	* 4408030429	PER: 43490
14	* 4408030111	PER: 43486, 43487, 43488, 43489
14	* 4408030413	PER: 43490

CODE 43486, 43487, 43488, 43489, 43490

BESCHREIBUNG: PUMPE EXACTUS MANUELL DIGITAL MA/MB



DEUTSCH

POS	CODE	BESCHREIBUNG	MENGE	POS	CODE	BESCHREIBUNG	MENGE
1	4408032401	TOUCHSCREEN MA/MB EXACTUS 2009		11	4408031729	VERBINDUNGSSTÜCK FÜLLSTAND	
2	4408031701	PLATINE SCHALTKEIS DLX - MA/MB		12	* 4408031119	KOLBENSCHIBE 2 L 5 KG - 2 L 10 KG - 5 L	
3	4408030025	ABDECKUNG HINTEN EXACTUS UND DICF		12	* 4408030531	KOLBENSCHIBE 5 L 7 KG	
4	4408031405	STECKER		12	* 4408031121	KOLBENSCHIBE 10 L 5 KG	
5	4408032303	HALTERUNG EXACTUS 2009		12	* 4408031122	KOLBENSCHIBE 20 L 5 KG	
6	4408032305	HALTERUNG UND TERMOSTAT 110°		13	* 4408030119	KOMPLETTMEMBERAN	
7	4408032308	ABLASSSTOPFEN KOPFSTÜCK CP STD		13	* 4408030429	KOMPLETTMEMBERAN 20 L 5 KG	
8	* 4408031112	ELEKTROMAGNET 2 L 10 KG		14	* 4408030111	O-RING KOPFSTÜCK	
8	* 4408030118	ELEKTROMAGNET KOMPLETT 5 L 7 KG		14	* 4408030413	O-RING KOPFSTÜCK 20 L 5 KG	
8	* 4408031114	ELEKTROMAGNET 5 L 10 KG		15	4408031221	VERSORUNGSKABEL	
8	* 4408030517	ELEKTROMAGNET 10 L 5 KG		16	4408030112	VENTILSATZ MIT DUTRAL	
8	* 4408032309	ELEKTROMAGNET 20 L - 5 KG		16	4408030113	VENTILSATZ MIT VITON	
9	4408031203	GEWINDE ABLASS KOPFSTÜCK		16	4408030114	VENTILSATZ MIT SILIKON	

* SIEHE ANMERKUGSBLATT

CODE **43486, 43487, 43488, 43489, 43490**

BESCHREIBUNG: **PUMPE EXACTUS MANUELL DIGITAL MA/MB**

10	* 4408031205	KOPFSTÜCK KOMPLETT	17	4408030126	MUTTER BEFESTIGUNG ROHR
10	* 4408030409	KOPFSTÜCK KOMPLETT 20 L 5 KG	18	4408030115	VENTIL DUTRAL MIT HALTERUNG
18	4408030116	VENTIL VITON MIT HALTERUNG	20	4408030123	SAUGFILTER KOMPLETT
18	4408030117	VENTIL SILIKON MIT HALTERUNG	21	4408030122	ROHR SAUG/DRUCK
19	4408030121	INJEKTORVENTIL KOMPLETT	22	57174R0001	GEHÄUSE EXACTUS

CODE **43486, 43487, 43488, 43489, 43490**

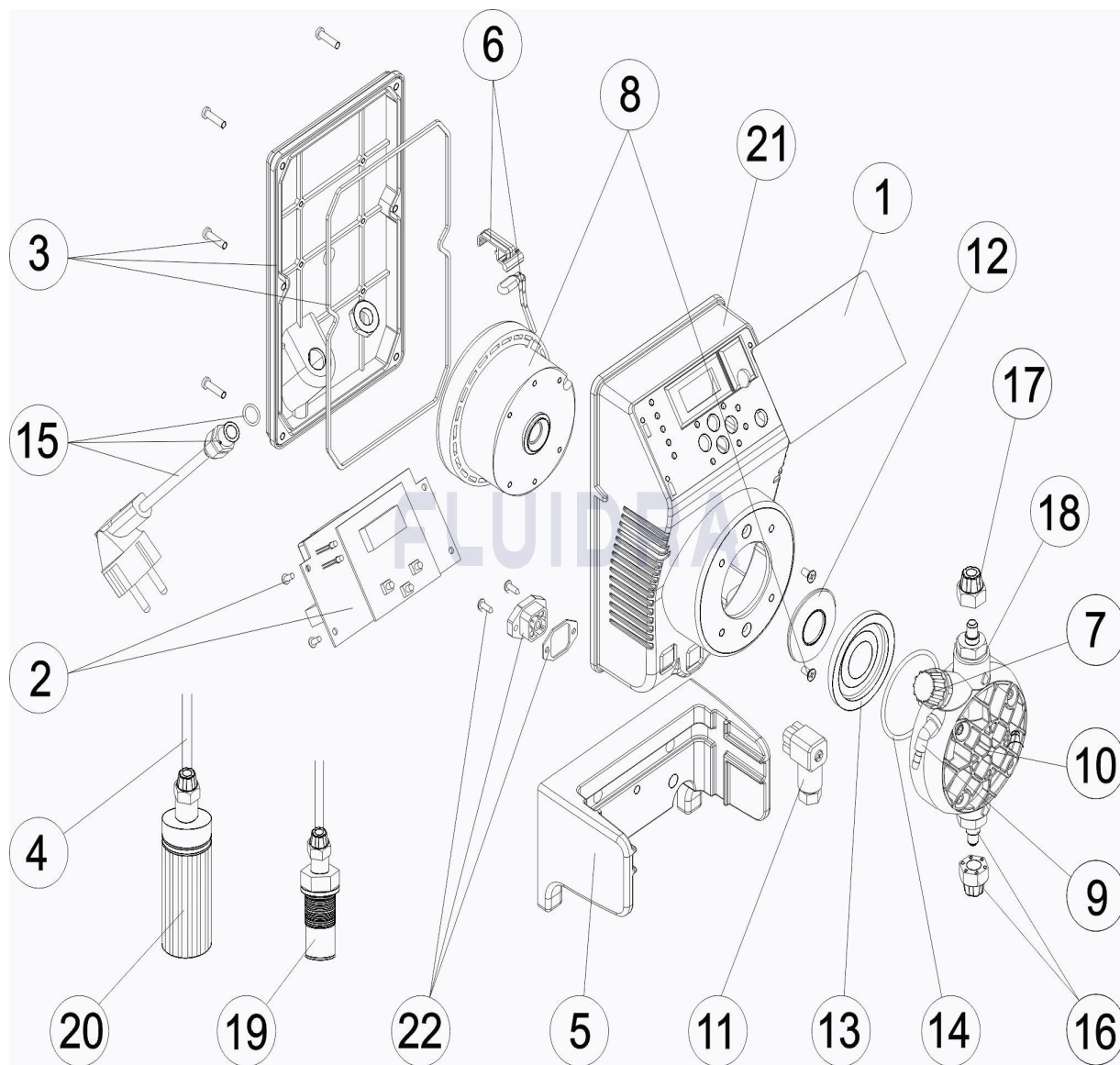
BESCHREIBUNG: **PUMPE EXACTUS MANUELL DIGITAL MA/MB**

HINWEISE

POS	CODE	HINWEISE
8	* 4408031112	FÜR: 43486
8	* 4408030118	FÜR: 43487
8	* 4408031114	FÜR: 43488
8	* 4408030517	FÜR: 43489
8	* 4408032309	FÜR: 43490
10	* 4408031205	FÜR: 43486, 43487, 43488, 43489
10	* 4408030409	FÜR: 43490
12	* 4408031119	FÜR: 43486, 43487
12	* 4408030531	FÜR: 43488
12	* 4408031121	FÜR: 43489
12	* 4408031122	FÜR: 43490
13	* 4408030119	FÜR: 43486, 43487, 43488, 43489
13	* 4408030429	FÜR: 43490
14	* 4408030111	FÜR: 43486, 43487, 43488, 43489
14	* 4408030413	FÜR: 43490

CODIGO 43486, 43487, 43488, 43489, 43490

DESCRIÇÃO: BOMBA EXACTUS MANUAL DIGITAL MA/MB



PORTUGUES

POS	CODIGO	DESCRIÇÃO	JANTIDADE	POS	CODIGO	DESCRIÇÃO	JANTIDADE
1	4408032401	PAINEL DIGITAL TÁCTIL MA/MB EXACTUS 2		11	4408031729	LIGAÇÃO NIVEL	
2	4408031701	CIRCUITO ELECTRONICO DLX-MA/AD.		12	* 4408031119	ANILHA PISTON 2L 5KG - 2L 10KG - 5L 10KG	
3	4408030025	TAMPA TRASEIRA BOMBA EXACTUS		12	* 4408030531	ANILHA PISTON 5L 7KG	
4	4408031405	LIGAÇÃO MACHO		12	* 4408031121	ANILHA PISTON 10L 5KG	
5	4408032303	SUPORTE BOMBA EXACTUS 2009		12	* 4408031122	ANILHA PISTON 20L 5KG	
6	4408032305	SUPORTE MAIS TERMOSTATO DE 110°		13	* 4408030119	MEMBRANA COMPLETA	
7	4408032308	TAMPÃO PURGA		13	* 4408030429	MEMBRANA COMPLETA 20L 5KG	
8	* 4408031112	ELECTROIMAN 2L 10KG		14	* 4408030111	JUNTA TORICA CABEÇAL	
8	* 4408030118	ELECTROIMAN COMPLETO 5L 7KG		14	* 4408030413	JUNTA TORICA CABEÇAL 20L 5KG	
8	* 4408031114	ELECTROIMAN 5L 10KG		15	4408031221	CABO ALIMENTAÇÃO	
8	* 4408030517	ELECTROIMAN 10L 5KG		16	4408030112	CORPO RACORD + DUTRAL	
8	* 4408032309	ELECTROIMAN 20L. 5KG		16	4408030113	CORPO RACORD + VITON	
9	4408031203	RACCORD PURGA		16	4408030114	CORPO RACORD + SILICONE	

*** VEJA A FICHA DE OBSERVAÇÕES**

CODIGO 43486, 43487, 43488, 43489, 43490

DESCRIÇÃO: BOMBA EXACTUS MANUAL DIGITAL MA/MB

10	* 4408031205	CABEÇAL COMPLETO	17	4408030126	PORCA SUJEIÇÃO TUBO
10	* 4408030409	CABEÇAL COMPLETO 20L. 5KG.	18	4408030115	VÁLVULA DUTRAL + SUPORTE
18	4408030116	VÁLVULA VITON + SUPORTE	20	4408030123	FILTRO ASPIRAÇÃO COMPLETO
18	4408030117	VÁLVULA SILICONE + SUPORTE	21	4408030122	TUBO ASPIRAÇÃO/IMPULSÃO
19	4408030121	INJECTOR COMPLETO	22	57174R0001	CAIXA BOMBA EXACTUS

CODIGO 43486, 43487, 43488, 43489, 43490

DESCRIÇÃO: BOMBA EXACTUS MANUAL DIGITAL MA/MB

OBSERVAÇÕES

POS	CODIGO	OBSERVAÇÕES
8	* 4408031112	PARA: 43486
8	* 4408030118	PARA: 43487
8	* 4408031114	PARA: 43488
8	* 4408030517	PARA: 43489
8	* 4408032309	PARA: 43490
10	* 4408031205	PARA: 43486, 43487, 43488, 43489
10	* 4408030409	PARA: 43490
12	* 4408031119	PARA: 43486, 43487
12	* 4408030531	PARA: 43488
12	* 4408031121	PARA: 43489
12	* 4408031122	PARA: 43490
13	* 4408030119	PARA: 43486, 43487, 43488, 43489
13	* 4408030429	PARA: 43490
14	* 4408030111	PARA: 43486, 43487, 43488, 43489
14	* 4408030413	PARA: 43490