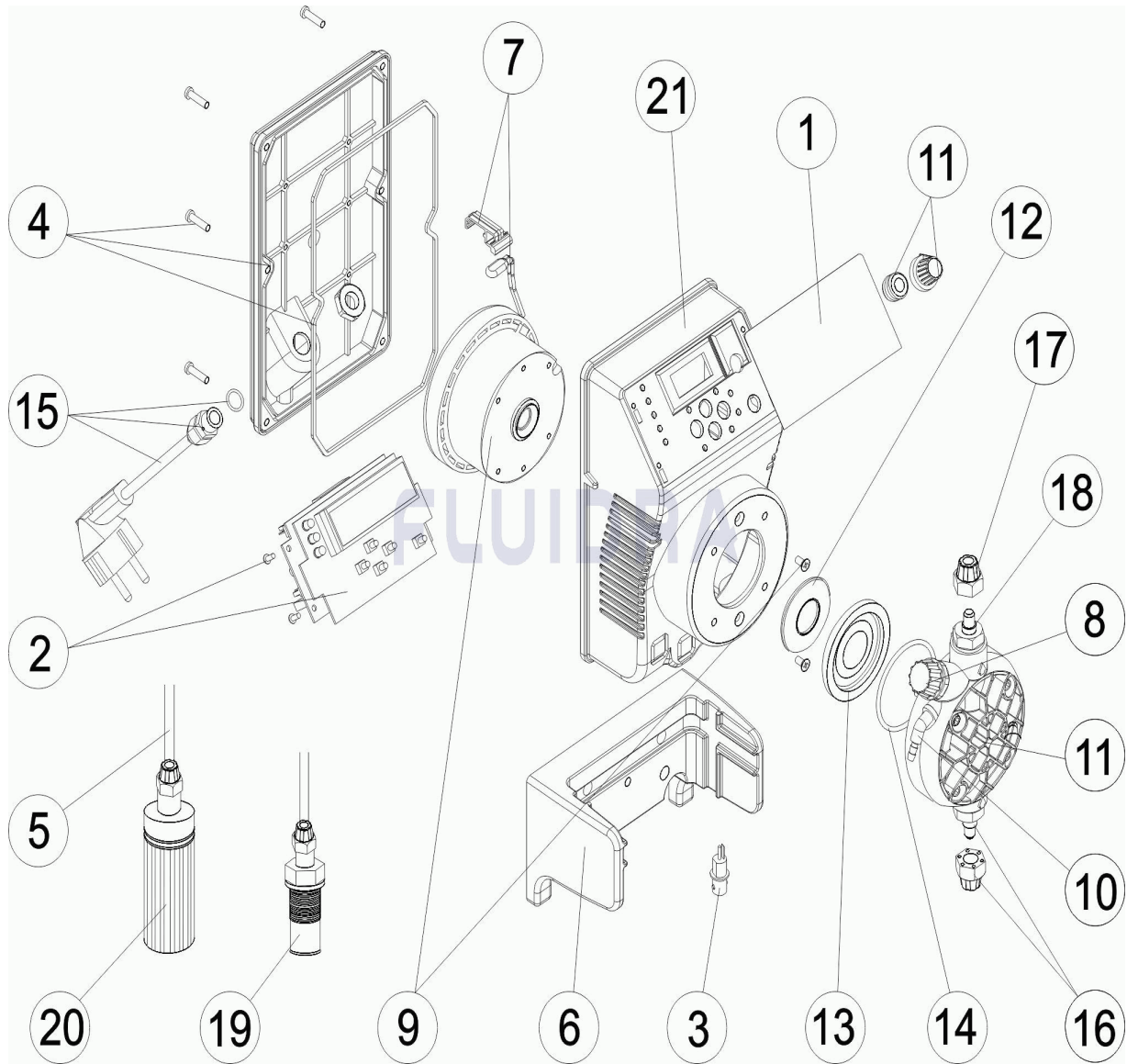


CODIGO 43495, 43496, 43497

DESCRIPCION: BOMBA EXACTUS PH/RX



ESPAÑOL

| POS | CODIGO | DESCRIPCION | CANTIDAD | POS | CODIGO | DESCRIPCION | CANTIDAD |
|-----|--------------|--------------------------------------|----------|-----|--------------|----------------------------|----------|
| 1 | 4408030028 | PANEL TACTIL EXACTUS PH-RX/M | | 12 | * 4408031121 | ARANDELA PISTON 10L 5KG | |
| 2 | 4408032602 | CIRCUITO ELECTRONICO PH/RX. 230/240V | | 13 | 4408030119 | MEMBRANA COMPLETA | |
| 3 | 4408032603 | CONECTOR HEMBRA BNC EXACTUS 2009 | | 14 | 4408030111 | JUNTA TORICA CABEZAL | |
| 4 | 4408030025 | TAPA POSTERIOR EXACTUS CON JUNTA | | 15 | 4408031221 | CABLE ALIMENTACION | |
| 5 | 4408030122 | TUBO ASPIRACION/IMPULSION | | 16 | 4408030112 | CUERPO RACORD + DUTRAL | |
| 6 | 4408032303 | SOPORTE EXACTUS 2009 | | 16 | 4408030113 | CUERPO RACORD + VITON | |
| 7 | 4408032305 | SOPORTE MAS TERMOSTADO 110° | | 16 | 4408030114 | CUERPO RACORD + SILICONA | |
| 8 | 4408032308 | TAPON PURGA CABEZAL CP STD | | 17 | 4408030126 | TUERCA SUJECCION TUBO | |
| 9 | * 4408030118 | ELECTROIMAN COMPLETO 5L 7KG | | 18 | 4408030115 | VALVULA DUTRAL + SOPORTE | |
| 9 | * 4408031114 | ELECTROIMAN 5L 10KG | | 18 | 4408030116 | VALVULA VITON + SOPORTE | |
| 9 | * 4408030517 | ELECTROIMAN 10L 5KG | | 18 | 4408030117 | VALVULA SILICONA + SOPORTE | |
| 10 | 4408031203 | RACOR PURGA CABEZAL | | 19 | 4408030121 | VALVULA INYECCION COMPLETA | |
| 11 | 4408031205 | CABEZAL COMPLETO | | 20 | 4408030123 | FILTRO ASPIRACION COMPLETO | |

* NOTA OBSERVACIONES

CODIGO **43495, 43496, 43497**

DESCRIPCION: **BOMBA EXACTUS PH/RX**

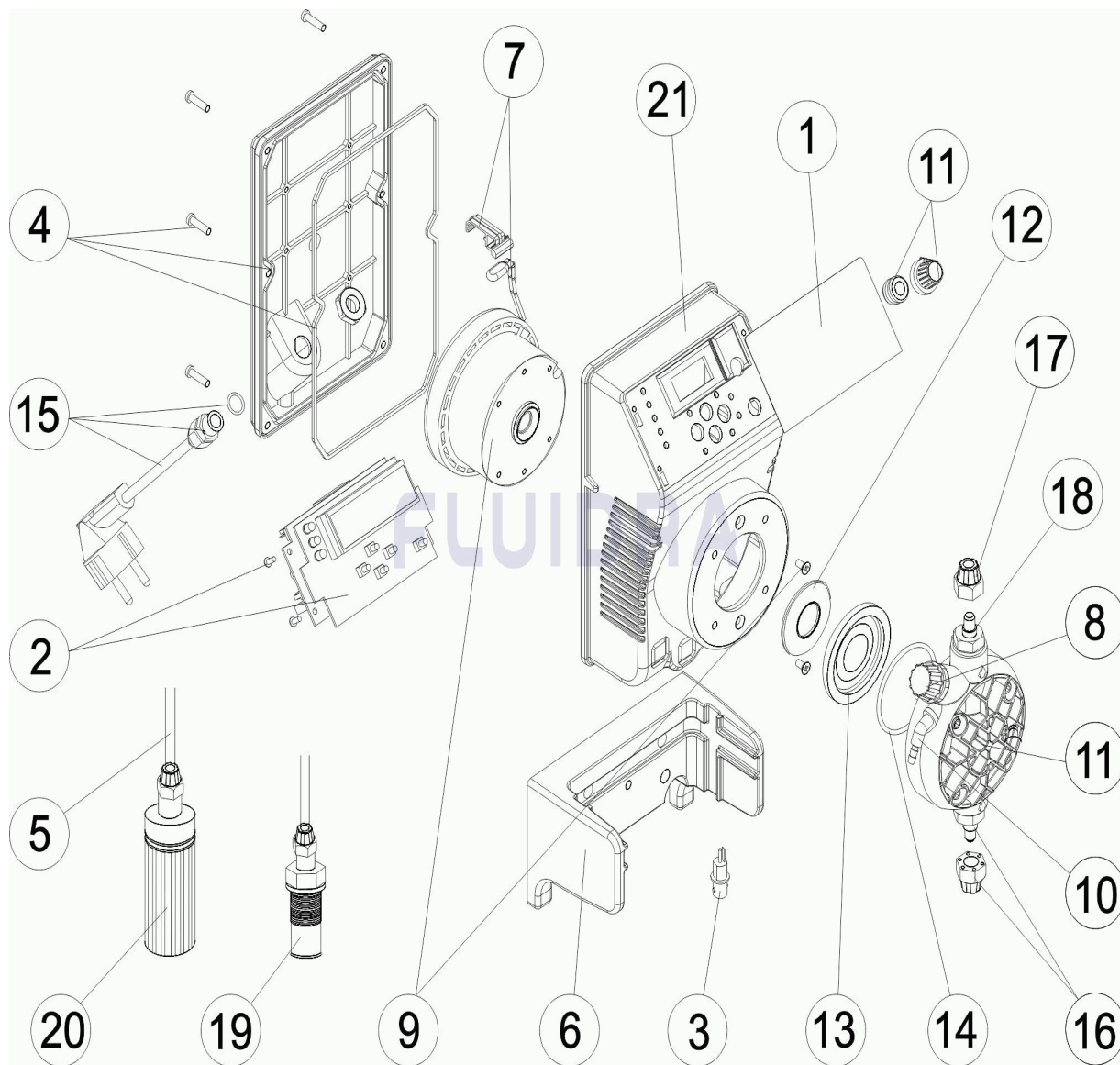
| | | | | | |
|----|--------------|---|----|------------|--------------|
| 12 | * 4408031119 | ARANDELA PISTON 2L 5KG - 2L 10KG - 5L 1 | 21 | 57174R0001 | CAJA EXACTUS |
| 12 | * 4408030531 | ARANDELA PISTON 5L 7KG | | | |

CODIGO **43495, 43496, 43497**DESCRIPCION: **BOMBA EXACTUS PH/RX****OBSERVACIONES**

| POS | CODIGO | OBSERVACIONES |
|-----|--------------|---------------|
| 9 | * 4408030118 | PARA: 43495 |
| 9 | * 4408031114 | PARA: 43496 |
| 9 | * 4408030517 | PARA: 43497 |
| 12 | * 4408031119 | PARA: 43495 |
| 12 | * 4408030531 | PARA: 43496 |
| 12 | * 4408031121 | PARA: 43497 |

CODE 43495, 43496, 43497

DESCRIPTION: POMPE EXACTUS PH/RX



FRANCAIS

| POS | CODE | DESCRIPTION | QUANTITE | POS | CODE | DESCRIPTION | QUANTITE |
|-----|--------------|------------------------------------|----------|-----|--------------|---------------------------------|----------|
| 1 | 4408030028 | TABEAU DE CONTROLE TACTILE PH-RX/M | | 12 | * 4408031121 | RONDELLE PISTON 10L 5KG | |
| 2 | 4408032602 | CIRCUIT ELECTRONIQUE PH/RX. 2009 | | 13 | 4408030119 | MEMBRANE COMPLETE | |
| 3 | 4408032603 | CONNEXION FEMELLE BCN EXACTUS 200' | | 14 | 4408030111 | JOINT TORIQUE TETE | |
| 4 | 4408030025 | COUVERCLE POMPE EXACTUS | | 15 | 4408031221 | CABLE ALIMENTATION | |
| 5 | 4408030122 | TUBE ASPIRATION/IMPULSION | | 16 | 4408030112 | CORPS RACCORD + CLAPET DUTRAL | |
| 6 | 4408032303 | SUPPORT DE POMPE EXACTUS 2009 | | 16 | 4408030113 | CORPS RACCORD + CLAPET VITON | |
| 7 | 4408032305 | SUPPORT + THERMOSTAT DE 110 ° | | 16 | 4408030114 | CORPS RACCORD + CLAPET SILICONE | |
| 8 | 4408032308 | BOUCHON PURGE | | 17 | 4408030126 | ECROU DE TUBE D'ASPIRATION | |
| 9 | * 4408030118 | ELECTROAIMANT COMPLETO 5L 7KG | | 18 | 4408030115 | CLAPET DUTRAL + SUPPORT | |
| 9 | * 4408031114 | ELECTROAIMANT 5L 10KG | | 18 | 4408030116 | CLAPET VITON + SUPPORT | |
| 9 | * 4408030517 | ELECTROAIMANT 10L 5KG | | 18 | 4408030117 | CLAPET SILICONA + SUPPORT | |
| 10 | 4408031203 | RACCOR PURGE | | 19 | 4408030121 | VANNE INJECTION COMPLETE | |
| 11 | 4408031205 | TETE COMPLET | | 20 | 4408030123 | FILTRE ASPIRATION COMPLETE | |

* VOIR FICHE D'OBSERVATIONS

CODE **43495, 43496, 43497**

DESCRIPTION: **POMPE EXACTUS PH/RX**

| | | | | | |
|----|--------------|---------------------------------------|----|------------|--------------------------|
| 12 | * 4408031119 | RONDELLE PISTON 2L 5KG - 2L 10KG - 5L | 21 | 57174R0001 | BOITIER DE POMPE EXACTUS |
| 12 | * 4408030531 | RONDELLE PISTON 5L 7KG | | | |

CODE **43495, 43496, 43497**

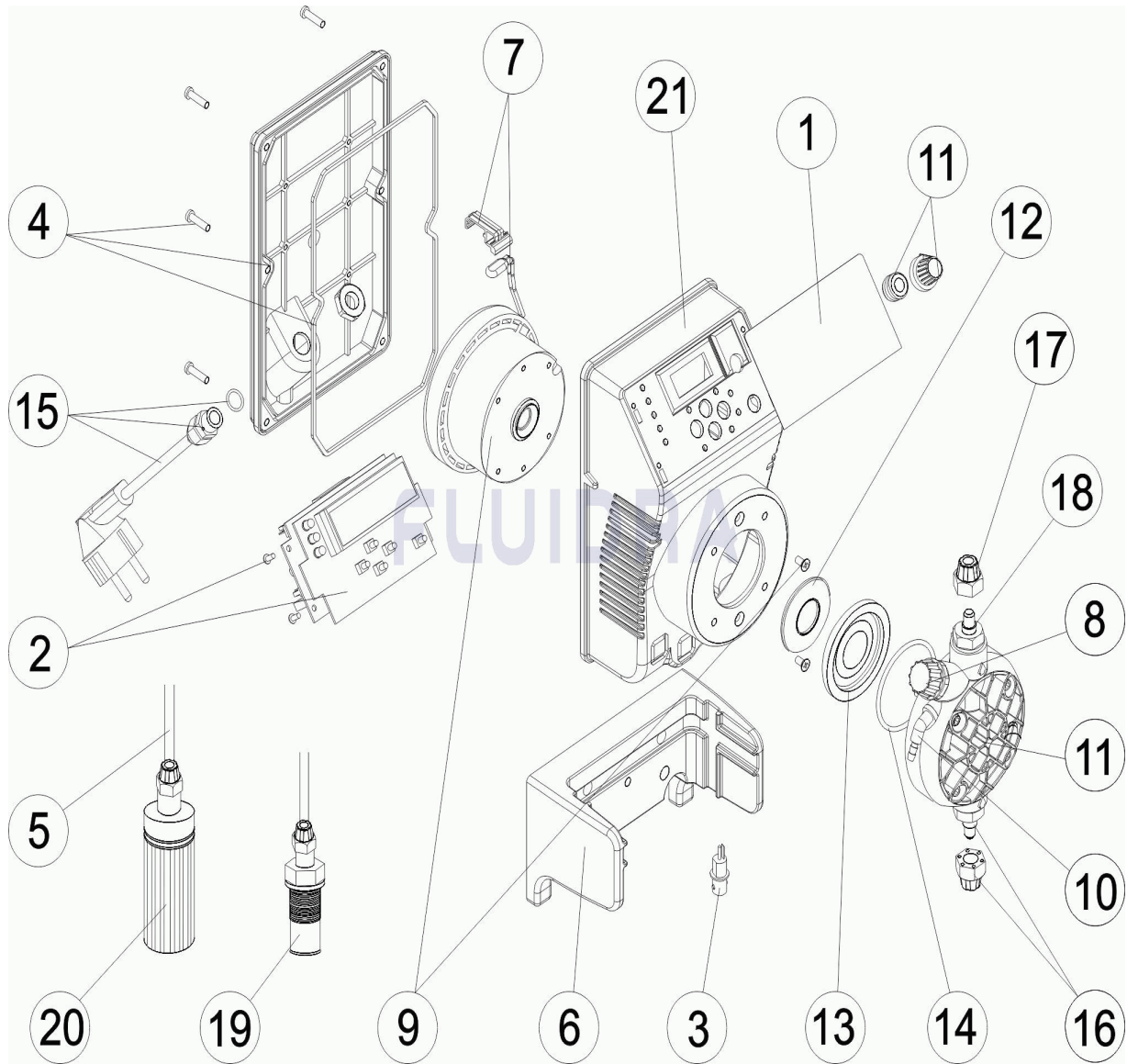
DESCRIPTION: **POMPE EXACTUS PH/RX**

OBSERVATIONS

| POS | CODE | OBSERVATIONS |
|-----|--------------|--------------|
| 9 | * 4408030118 | POUR: 43495 |
| 9 | * 4408031114 | POUR: 43496 |
| 9 | * 4408030517 | POUR: 43497 |
| 12 | * 4408031119 | POUR: 43495 |
| 12 | * 4408030531 | POUR: 43496 |
| 12 | * 4408031121 | POUR: 43497 |

CODE **43495, 43496, 43497**

DESCRIPTION: **EXACTUS PUMP PH/RX**



ENGLISH

| POS | CODE | DESCRIPTION | QUANTITY | POS | CODE | DESCRIPTION | QUANTITY |
|-----|--------------|-----------------------------------|----------|-----|--------------|-------------------------------|----------|
| 1 | 4408030028 | TOUCH SCREEN PANEL PH-RX/M | | 12 | * 4408031121 | PISTON WASHER 10L 5KG | |
| 2 | 4408032602 | ELECTRONIC CIRCUIT PH/RX 2009 | | 13 | 4408030119 | DIAPHRAM COMPLETE | |
| 3 | 4408032603 | FEMALE CONNECTOR BCN EXACTUS 2009 | | 14 | 4408030111 | HEAD O RING | |
| 4 | 4408030025 | PUMP REAR COVER | | 15 | 4408031221 | SUPPLY CABLE | |
| 5 | 4408030122 | SUCTION/RETURN TUBE | | 16 | 4408030112 | HEAD CONNECTOR BODY + DUTRAL | |
| 6 | 4408032303 | PUMP SUPPORT 2009 | | 16 | 4408030113 | HEAD CONNECTOR BODY + VITON | |
| 7 | 4408032305 | SUPPORT AND THERMOSTAT 110° | | 16 | 4408030114 | HEAD CONNECTOR BODY + SILICON | |
| 8 | 4408032308 | DRAIN PLUG | | 17 | 4408030126 | SUCTION TUBE NUT | |
| 9 | * 4408030118 | ELECTROMAGNET ASSEMBLY COMPLETE | | 18 | 4408030115 | DUTRAL VALVE + SUPPORT | |
| 9 | * 4408031114 | ELECTROMAGNET 5L 10KG | | 18 | 4408030116 | VITON VALVE + SUPPORT | |
| 9 | * 4408030517 | ELECTROMAGNET 10L 5KG | | 18 | 4408030117 | SILICON VALVE + SUPPORT | |
| 10 | 4408031203 | PURGE FITTING | | 19 | 4408030121 | INJECTOR VALVE ASSEMBLY | |
| 11 | 4408031205 | COMPLETE HEAD ASSEMBLY | | 20 | 4408030123 | FILTER ASSEMBLY | |

*** SEE OBSERVATIONS SHEET**

CODE **43495, 43496, 43497**

DESCRIPTION: **EXACTUS PUMP PH/RX**

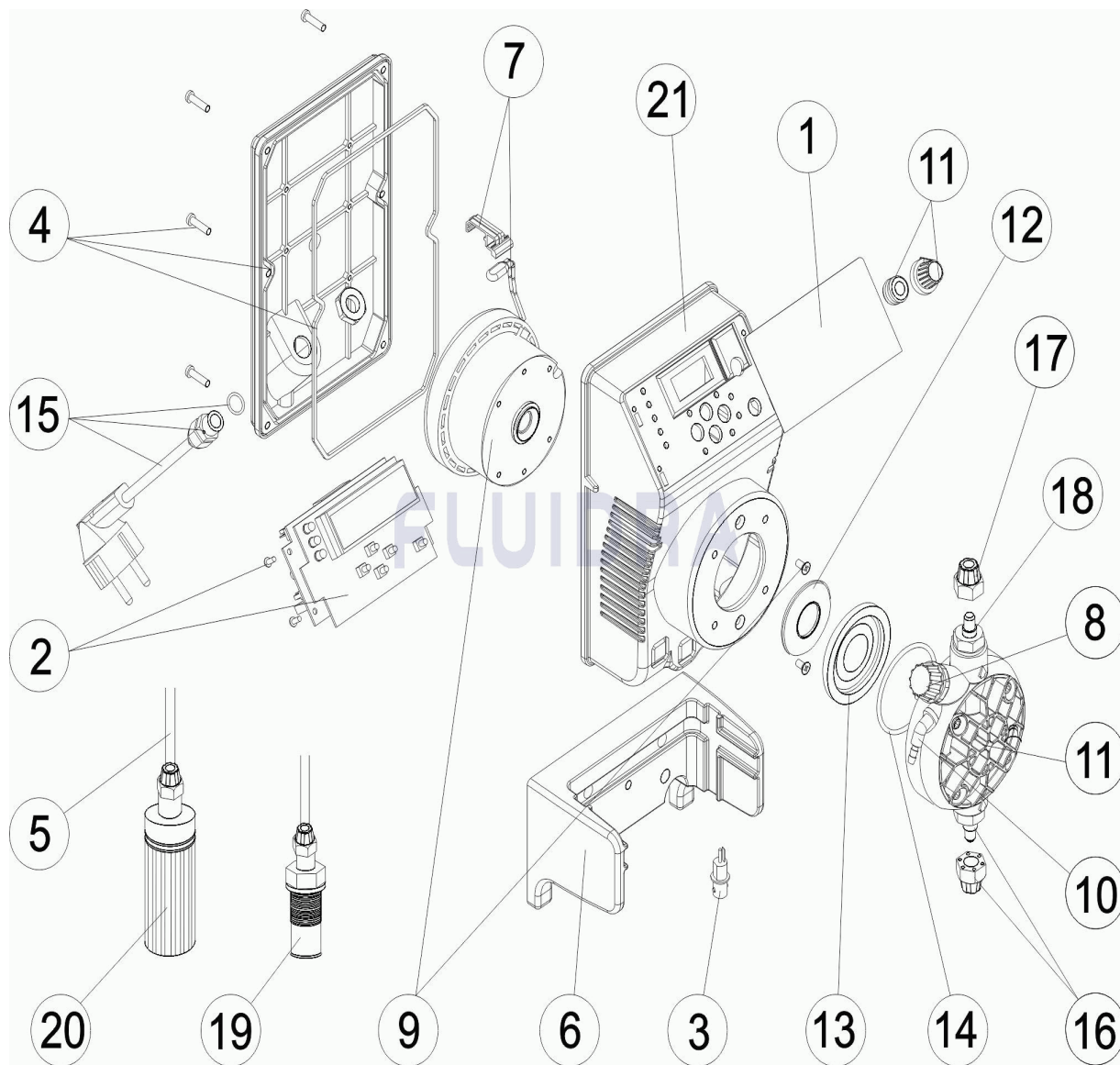
| | | | | | |
|----|--------------|---|----|------------|------------------|
| 12 | * 4408031119 | PISTON WASHER 2L 5KG - 2L 10KG - 5L 10l | 21 | 57174R0001 | EXACTUS PUMP BOX |
| 12 | * 4408030531 | PISTON WASHER 5L 7KG | | | |

CODE **43495, 43496, 43497**DESCRIPTION: **EXACTUS PUMP PH/RX****OBSERVATIONS**

| POS | CODE | OBSERVATIONS |
|-----|--------------|--------------|
| 9 | * 4408030118 | FOR: 43495 |
| 9 | * 4408031114 | FOR: 43496 |
| 9 | * 4408030517 | FOR: 43497 |
| 12 | * 4408031119 | FOR: 43495 |
| 12 | * 4408030531 | FOR: 43496 |
| 12 | * 4408031121 | FOR: 43497 |

CODICE 43495, 43496, 43497

DESCRIZIONE: POMPA EXACTUS PH/RX



ITALIANO

| POS | CODICE | DESCRIZIONE | QUANTITA' | POS | CODICE | DESCRIZIONE | QUANTITA' |
|-----|--------------|-----------------------------------|-----------|-----|--------------|-------------------------------------|-----------|
| 1 | 4408030028 | PANNELLO DIGITALE PH-RX/M | | 12 | * 4408031121 | RONDELLA PISTONE 10L 5KG | |
| 2 | 4408032602 | CIRCUITO ELETTRONICO PH/RX. 2009 | | 13 | 4408030119 | MEMBRANA COMPLETA | |
| 3 | 4408032603 | CONNETTORE FEMMINA BCN EXACTUS 2C | | 14 | 4408030111 | O-RING PER TESTA | |
| 4 | 4408030025 | COPRIVENTOLA POMPA EXACTUS | | 15 | 4408031221 | CAVO DI ALIMENTAZIONE | |
| 5 | 4408030122 | TUBO DI ASPIRAZIONE/ MANDATA | | 16 | 4408030112 | CORPO RACCORDO + VALVOLA IN DUTRAL | |
| 6 | 4408032303 | SUPPORTO POMPA EXACTUS 2009 | | 16 | 4408030113 | CORPO RACCORDO + VALVOLA IN VITON | |
| 7 | 4408032305 | SUPPORTO + TERMOSTATO 110° | | 16 | 4408030114 | CORPO RACCORDO + VALVOLA IN SILICON | |
| 8 | 4408032308 | TAPPO SPURGO | | 17 | 4408030126 | GHIERA FISSAGGIO TUBO | |
| 9 | * 4408030118 | ELETTROCALAMITA COMPLETA 5L 7KG | | 18 | 4408030115 | VALVOLA DUTRAL + SUPPORTO | |
| 9 | * 4408031114 | ELETTROCALAMITA 5L 10KG | | 18 | 4408030116 | VALVOLA + SUPPORTO | |
| 9 | * 4408030517 | ELETTROCALAMITA 10L 5KG | | 18 | 4408030117 | VALVOLA SILICONE + SUPPORTO | |
| 10 | 4408031203 | RACORDO SCARIO | | 19 | 4408030121 | VALVOLA INIEZIONE COMPLETA | |
| 11 | 4408031205 | TESTA COMPLETA | | 20 | 4408030123 | FILTRO ASPIRAZIONE COMPLETO | |

* SI FACCIÀ RIFERIMENTO AL FOGLIO DELLE OSSERVAZIONI

CODICE **43495, 43496, 43497**

DESCRIZIONE: **POMPA EXACTUS PH/RX**

| | | | | | |
|----|--------------|--|----|------------|---------------------|
| 12 | * 4408031119 | RONDELLA PISTONE 2L 5KG - 2L 10KG - 5L | 21 | 57174R0001 | CASSA POMPA EXACTUS |
| 12 | * 4408030531 | RONDELLA PISTONE 5L 7KG | | | |

CODICE **43495, 43496, 43497**

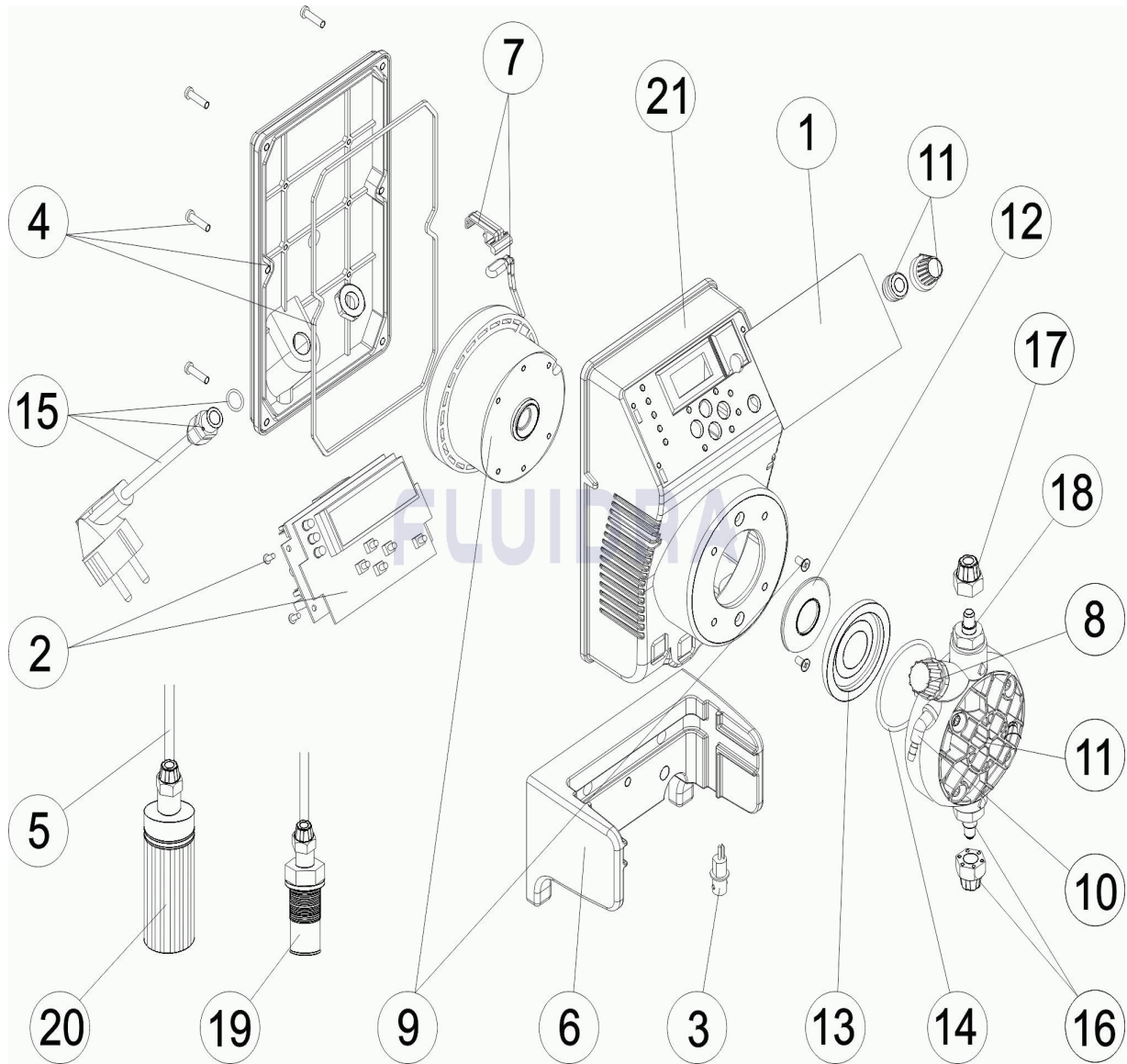
DESCRIZIONE: **POMPA EXACTUS PH/RX**

OSSERVAZIONI

| POS | CODICE | OSSERVAZIONI |
|-----|--------------|--------------|
| 9 | * 4408030118 | PER: 43495 |
| 9 | * 4408031114 | PER: 43496 |
| 9 | * 4408030517 | PER: 43497 |
| 12 | * 4408031119 | PER: 43495 |
| 12 | * 4408030531 | PER: 43496 |
| 12 | * 4408031121 | PER: 43497 |

CODE 43495, 43496, 43497

BESCHREIBUNG: PUMPE EXACTUS PH/RX



DEUTSCH

| POS | CODE | BESCHREIBUNG | MENGE | POS | CODE | BESCHREIBUNG | MENGE |
|-----|--------------|--------------------------------------|-------|-----|--------------|------------------------------|-------|
| 1 | 4408030028 | TOUCHSCREEN EXACTUS PH-RX/M | | 12 | * 4408031121 | KOLBENSCHIEBE 10 L 5 KG | |
| 2 | 4408032602 | PLATINE SCHALTKREIS PH/RX. 230/240 V | | 13 | 4408030119 | KOMPLETTMEMBERAN | |
| 3 | 4408032603 | ANSCHLUSSMUFFE BNC EXACTUS 2009 | | 14 | 4408030111 | O-RING KOPFSTÜCK | |
| 4 | 4408030025 | ABDECKUNG HINTEN EXACTUS UND DICHT | | 15 | 4408031221 | VERSORUNGSKABEL | |
| 5 | 4408030122 | ROHR SAUG/DRUCK | | 16 | 4408030112 | VENTILSATZ MIT DUTRAL | |
| 6 | 4408032303 | HALTERUNG EXACTUS 2009 | | 16 | 4408030113 | VENTILSATZ MIT VITON | |
| 7 | 4408032305 | HALTERUNG UND TERMOSTAT 110° | | 16 | 4408030114 | VENTILSATZ MIT SILIKON | |
| 8 | 4408032308 | ABLASSTOPFEN KOPFSTÜCK CP STD | | 17 | 4408030126 | MUTTER BEFESTIGUNG ROHR | |
| 9 | * 4408030118 | ELEKTROMAGNET KOMPLETT 5 L 7 KG | | 18 | 4408030115 | VENTIL DUTRAL MIT HALTERUNG | |
| 9 | * 4408031114 | ELEKTROMAGNET 5 L 10 KG | | 18 | 4408030116 | VENTIL VITON MIT HALTERUNG | |
| 9 | * 4408030517 | ELEKTROMAGNET 10 L 5 KG | | 18 | 4408030117 | VENTIL SILIKON MIT HALTERUNG | |
| 10 | 4408031203 | GEWINDE ABLASS KOPFSTÜCK | | 19 | 4408030121 | INJEKTORVENTIL KOMPLETT | |
| 11 | 4408031205 | KOPFSTÜCK KOMPLETT | | 20 | 4408030123 | SAUGFILTER KOMPLETT | |

* SIEHE ANMERKUNGSBLATT

CODE **43495, 43496, 43497**

BESCHREIBUNG: **PUMPE EXACTUS PH/RX**

| | | | | | |
|----|--------------|--|----|------------|-----------------|
| 12 | * 4408031119 | KOLBENSCHIEBE 2 L 5 KG - 2 L 10 KG - 5 L | 21 | 57174R0001 | GEHÄUSE EXACTUS |
| 12 | * 4408030531 | KOLBENSCHIEBE 5 L 7 KG | | | |

CODE **43495, 43496, 43497**

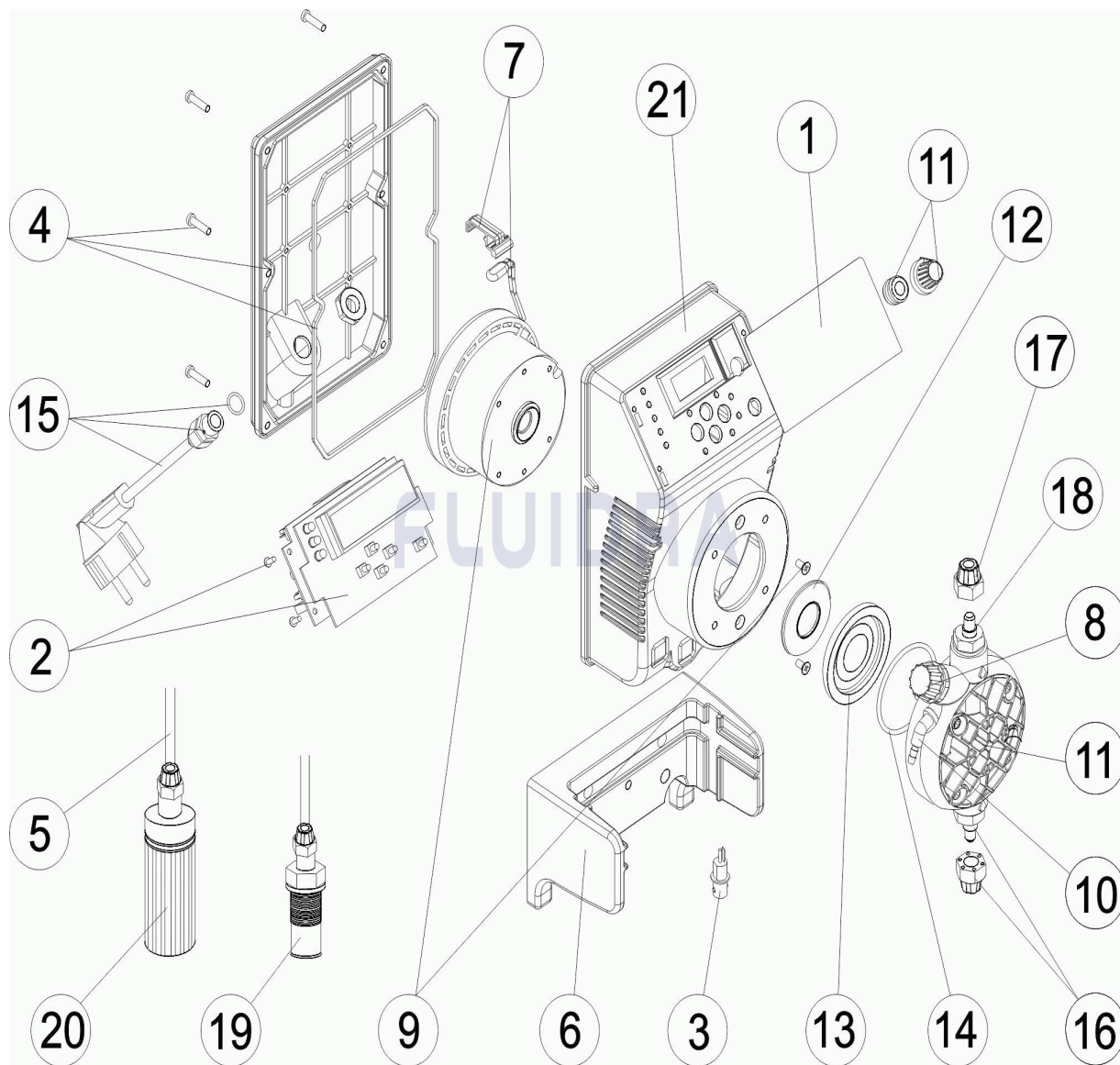
BESCHREIBUNG: **PUMPE EXACTUS PH/RX**

HINWEISE

| POS | CODE | HINWEISE |
|-----|--------------|------------|
| 9 | * 4408030118 | FÜR: 43495 |
| 9 | * 4408031114 | FÜR: 43496 |
| 9 | * 4408030517 | FÜR: 43497 |
| 12 | * 4408031119 | FÜR: 43495 |
| 12 | * 4408030531 | FÜR: 43496 |
| 12 | * 4408031121 | FÜR: 43497 |

CODIGO **43495, 43496, 43497**

DESCRIÇÃO: **BOMBA EXACTUS PH/RX**



PORTUGUES

| POS | CODIGO | DESCRIÇÃO | JANTIDADE | POS | CODIGO | DESCRIÇÃO | JANTIDADE |
|-----|--------------|----------------------------------|-----------|-----|--------------|----------------------------|-----------|
| 1 | 4408030028 | PAINEL DIGITAL TÁCTIL PH-RX/M | | 12 | * 4408031121 | ANILHA PISTON 10L 5KG | |
| 2 | 4408032602 | CIRCUITO ELECTRONICO PH/RX. 2009 | | 13 | 4408030119 | MEMBRANA COMPLETA | |
| 3 | 4408032603 | LIGAÇÃO FÊMEA BCN. EXACTUS 2009 | | 14 | 4408030111 | JUNTA TORICA CABEÇAL | |
| 4 | 4408030025 | TAMPA TRASEIRA BOMBA EXACTUS | | 15 | 4408031221 | CABO ALIMENTAÇÃO | |
| 5 | 4408030122 | TUBO ASPIRAÇÃO/IMPULSÃO | | 16 | 4408030112 | CORPO RACORD + DUTRAL | |
| 6 | 4408032303 | SUPORTE BOMBA EXACTUS 2009 | | 16 | 4408030113 | CORPO RACORD + VITON | |
| 7 | 4408032305 | SUPORTE MAIS TERMOSTATO DE 110° | | 16 | 4408030114 | CORPO RACORD + SILICONE | |
| 8 | 4408032308 | TAMPÃO PURGA | | 17 | 4408030126 | PORCA SUJEIÇÃO TUBO | |
| 9 | * 4408030118 | ELECTROIMAN COMPLETO 5L 7KG | | 18 | 4408030115 | VÁLVULA DUTRAL + SUPORTE | |
| 9 | * 4408031114 | ELECTROIMAN 5L 10KG | | 18 | 4408030116 | VÁLVULA VITON + SUPORTE | |
| 9 | * 4408030517 | ELECTROIMAN 10L 5KG | | 18 | 4408030117 | VÁLVULA SILICONE + SUPORTE | |
| 10 | 4408031203 | RACCORD PURGA | | 19 | 4408030121 | INJECTOR COMPLETO | |
| 11 | 4408031205 | CABEÇAL COMPLETO | | 20 | 4408030123 | FILTRO ASPIRAÇÃO COMPLETO | |

*** VEJA A FICHA DE OBSERVAÇÕES**

CODIGO **43495, 43496, 43497**

DESCRIÇÃO: **BOMBA EXACTUS PH/RX**

| | | | | | |
|----|--------------|---|----|------------|---------------------|
| 12 | * 4408031119 | ANILHA PISTON 2L 5KG - 2L 10KG - 5L 10K | 21 | 57174R0001 | CAIXA BOMBA EXACTUS |
| 12 | * 4408030531 | ANILHA PISTON 5L 7KG | | | |

CODIGO **43495, 43496, 43497**

DESCRIÇÃO: BOMBA EXACTUS PH/RX

OBSERVAÇÕES

| POS | CODIGO | OBSERVAÇÕES |
|-----|--------------|-------------|
| 9 | * 4408030118 | PARA: 43495 |
| 9 | * 4408031114 | PARA: 43496 |
| 9 | * 4408030517 | PARA: 43497 |
| 12 | * 4408031119 | PARA: 43495 |
| 12 | * 4408030531 | PARA: 43496 |
| 12 | * 4408031121 | PARA: 43497 |