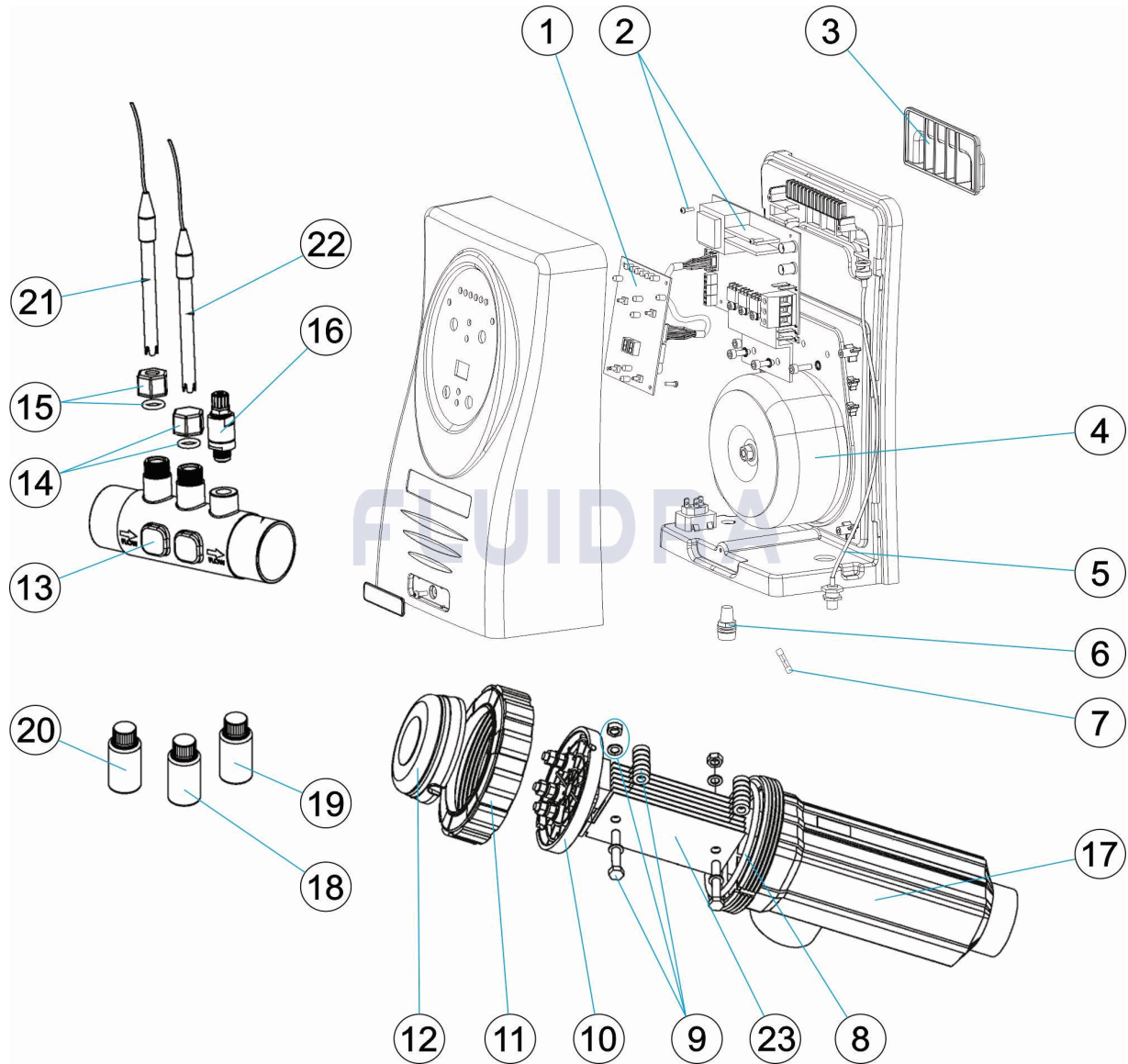


CODIGO **44362, 44363, 44364, 44365, 44366, 44367, 49633, 49634, 49635**

DESCRIPCION: **SPRINT CHLORE**



## ESPAÑOL

POS	CODIGO	DESCRIPCION	CANTIDAD	POS	CODIGO	DESCRIPCION	CANTIDAD
1	* CE08040054	TARJETA VISUALIZADORA ELECTROLISIS	4	* CE08041202	TRANSFORMADOR 480 VA		
1	* CE08040055	TARJETA VISUALIZADORA ELECTROLISIS	5	CE08070069	CONECTOR BNC		
1	* CE08040056	TARJETA VISUALIZADORA ELECTROLISIS	6	CE08040523	PORTAFUSIBLE 5X20 CHASIS		
2	* CE08041207	TARJETA POTENCIA AC-12	7	* CE08041113	FUSIBLE 2A		
2	* CE08040058	TARJETA POTENCIA AC-12/PH	7	* CE08041114	FUSIBLE 3A		
2	* CE08041303	TARJETA POTENCIA AC-12 (PH/ORP)	7	* CE08041204	FUSIBLE 4A		
2	* CE08041115	TARJETA POTENCIA AC-22	8	CE08040510	JUNTA VASO EPDM.		
2	* CE08040059	TARJETA POTENCIA AC-22/PH	9	CE08040073	KIT ANCLAJE ELECTRODOS DOMESTICO		
2	* CE08041304	TARJETA POTENCIA AC-22 (PH/ORP)	10	CE08040076	SOPORTE ELECTRODO ABIERTO TC		
2	* CE08041208	TARJETA POTENCIA AC-30	11	CE08040508	TUERCA CIERRE CELULA		
2	* CE08040060	TARJETA POTENCIA AC-30/PH	12	CE08040509	PROTECTOR CONTACTOS		
2	* CE08041305	TARJETA POTENCIA AC-30 (PH/ORP)	13	* 70968	PORTASONDAS		
3	CE08041101	SOPORTE PARED CONTROLADOR	14	* CE08040067	TAPON SONDA PH/ORP PORTASONDA		

\* NOTA OBSERVACIONES

CODIGO **44362, 44363, 44364, 44365, 44366, 44367, 49633, 49634, 49635**

DESCRIPCION: **SPRINT CHLORE**

4	* CE08041106	TRANSFORMADOR 190 VA	14	* CE08060121	TAPON NEGRO OBTURADOR + JUNTA
4	* CE08041107	TRANSFORMADOR 370 VA	15	* CE08040604	PORTAELECTRODOS PE 12M/M-1/2"
15	* CE08040444	PORTASONDAS	21	* 60648	ELECTRODO COMBINADO PH
16	* CE08040068	VALVULA INYECCION PH-MINUS 3/8"	22	* 60649	ELECTRODO ORP
17	57655	CELULA PORTA ELECTRODOS	23	* CLEL012	REPUESTO ELECTRODOS JUNIOR
18	* 60618	TAMPON PH 7,0 50 M/L. (VERDE)	23	* CLEL024	REPUESTO ELECTRODOS SENIOR
19	* 60632	TAMPON PH 4,0 50 ML. (ROJO)	23	* CLEL032	ELECTRODO MODELO PLUS
20	* 60633	SOLUCION CALIBRACION 470MV.			

**CODIGO 44362, 44363, 44364, 44365, 44366, 44367, 49633, 49634, 49635**

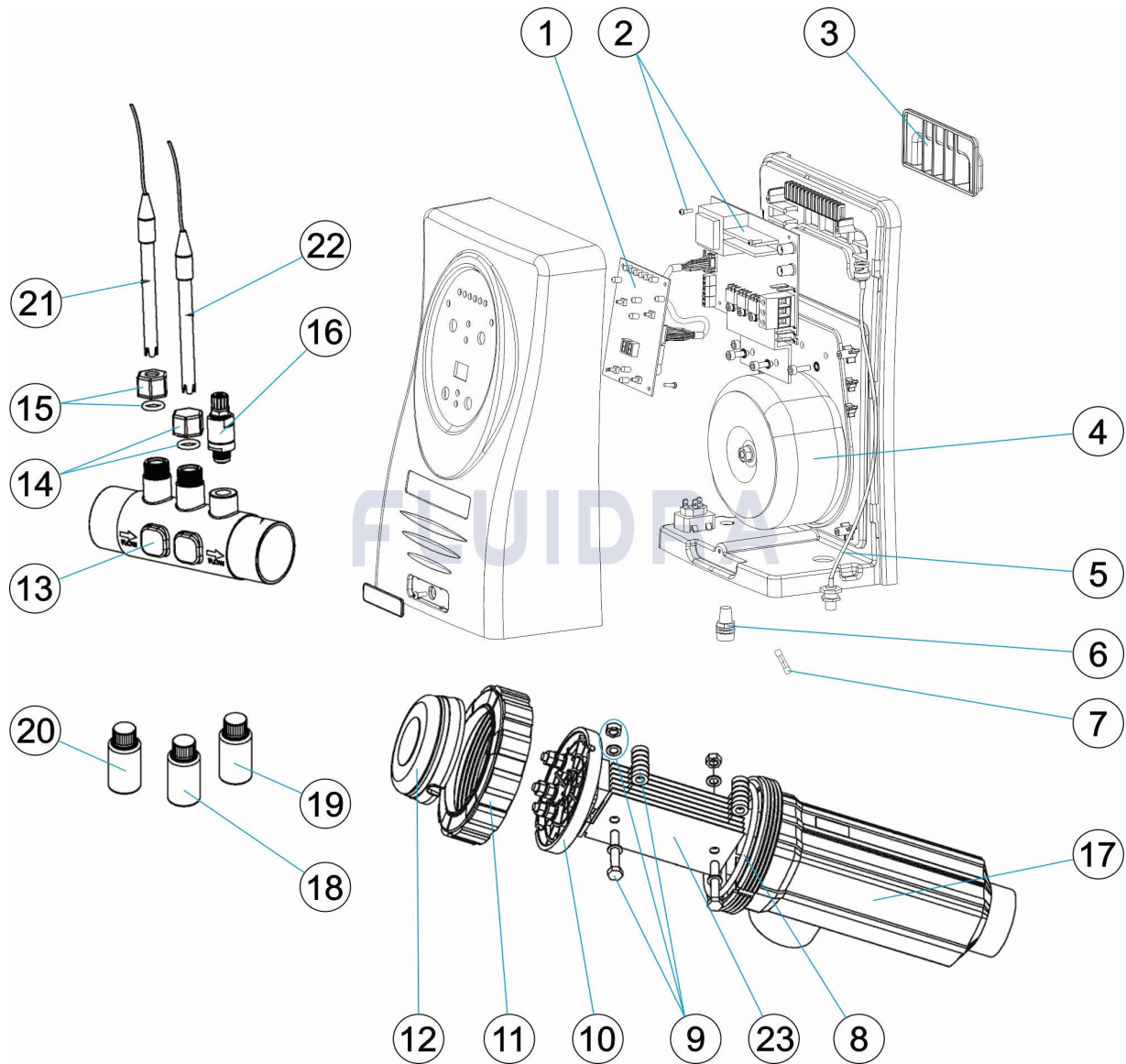
**DESCRIPCION: SPRINT CHLORE**

## OBSERVACIONES

POS	CODIGO	OBSERVACIONES
1	*CE08040054	PARA: 44362, 44363, 44364
1	*CE08040055	PARA: 44365, 44366, 44367
1	*CE08040056	PARA: 49633, 49634, 49635
2	*CE08041207	PARA: 44362
2	*CE08040058	PARA: 44365
2	*CE08041303	PARA: 49633
2	*CE08041115	PARA: 44363
2	*CE08040059	PARA: 44366
2	*CE08041304	PARA: 49634
2	*CE08041208	PARA: 44364
2	*CE08040060	PARA: 44367
2	*CE08041305	PARA: 49635
4	*CE08041106	PARA: 44362, 44365, 49633
4	*CE08041107	PARA: 44363, 44366, 49634
4	*CE08041202	PARA: 44364, 44367, 49635
7	*CE08041113	PARA: 44362, 44365, 49633
7	*CE08041114	PARA: 44363, 44366, 49634
7	*CE08041204	PARA: 44364, 44367, 49635
13	*70968	PARA: 49633, 49634, 49635
14	*CE08040067	PARA: 49633, 49634, 49635 70968
14	*CE08060121	PARA: 49633, 49634, 49635 74493
15	*CE08040604	PARA: 44365, 44366, 44367, 49633, 49634, 49635 70968
15	*CE08040444	PARA: 44365, 44366, 44367, 49633, 49634, 49635
16	*CE08040068	PARA: 49633, 49634, 49635
18	*60618	PARA: 44365, 44366, 44367, 49633, 49634, 49635
19	*60632	PARA: 44365, 44366, 44367, 49633, 49634, 49635
20	*60633	PARA: 49633, 49634, 49635
21	*60648	PARA: 44365, 44366, 44367, 49633, 49634, 49635
22	*60649	PARA: 49633, 49634, 49635
23	*CLEL012	PARA: 44362, 44365, 49633
23	*CLEL024	PARA: 44363, 44366, 49634
23	*CLEL032	PARA: 44364, 44367, 49635

CODE **44362, 44363, 44364, 44365, 44366, 44367, 49633, 49634, 49635**

DESCRIPTION: **SPRINT CHLORE**



**FRANCAIS**

POS	CODE	DESCRIPTION	QUANTITE	POS	CODE	DESCRIPTION	QUANTITE
1	* CE08040054	CARTE DE VISUALISATION ELECTROLYSE		4	* CE08041202	TRANSFORMATEUR PUISSANCE 480VA	
1	* CE08040055	CARTE D'INDICATION + PH		5	CE08070069	CONNECTEUR BNC	
1	* CE08040056	CARTE D'INDICATION + PH/ORP		6	CE08040523	PORTE-FUSIBLES 5X20 CHASSIS	
2	* CE08041207	CARTE PUISSANCE AC-12		7	* CE08041113	FUSIBLE 2A	
2	* CE08040058	CARTE PUISSANCE AC-12/PH		7	* CE08041114	FUSIBLE 3A	
2	* CE08041303	CARTE PUISSANCE AC-12 (PH/ORP)		7	* CE08041204	FUSIBLE 4A	
2	* CE08041115	CARTE PUISSANCE AC-22		8	CE08040510	JOINT VASE EPDM	
2	* CE08040059	CARTE PUISSANCE AC-22/PH		9	CE08040073	KIT ANCRAGE ÉLECTRODES KIT	
2	* CE08041304	CARTE PUISSANCE AC-22 (PH/ORP)		10	CE08040076	ÉLECTRODES DE RECHANGE SUPPORT O	
2	* CE08041208	CARTE PUISSANCE AC-30		11	CE08040508	ECRU FERMETURE CELLULE	
2	* CE08040060	CARTE PUISSANCE AC-30/PH		12	CE08040509	PROTECTEUR CONTACTS	
2	* CE08041305	CARTE PUISSANCE AC-30 (PH/ORP)		13	* 70968	PORTE-SONDES	
3	CE08041101	BASE PAROI CONTRÔLEUR		14	* CE08040067	BOUCHON M-25 H	

**\* VOIR FICHE D'OBSERVATIONS**

CODE **44362, 44363, 44364, 44365, 44366, 44367, 49633, 49634, 49635**

DESCRIPTION: **SPRINT CHLORE**

4	* CE08041106	TRANSFORMATEUR PUISSANCE 190VA	14	* CE08060121	COUVERCLE NOIR DE FERMENTURE + JOI
4	* CE08041107	TRANSFORMATEUR PUISSANCE 370VA	15	* CE08040604	PORTE-ÉLECTRODE PE 12M/M. 1/2"
15	* CE08040444	PORTE-SONDES	21	* 60648	ELECTRODE COMBINÉE PH
16	* CE08040068	VANNE INJECTION PH-MINUS 3/8"	22	* 60649	ELECTRODE ORP
17	57655	CELLULE PORTE-ÉLECTRODE	23	* CLEL012	ÉLECTRODES SPRINTCHLORE JUNIOR
18	* 60618	TAMPON PH 7,0 50 M/L. (VERT)	23	* CLEL024	ÉLECTRODES SPRINTCHLORE SENIOR
19	* 60632	TAMPON PH 4,0 50 ML. (ROUGE)	23	* CLEL032	ÉLECTRODES SPRINTCHLORE PLUS
20	* 60633	SOLUTION CALIBRAGE 470 MV			

CODE **44362, 44363, 44364, 44365, 44366, 44367, 49633, 49634, 49635**

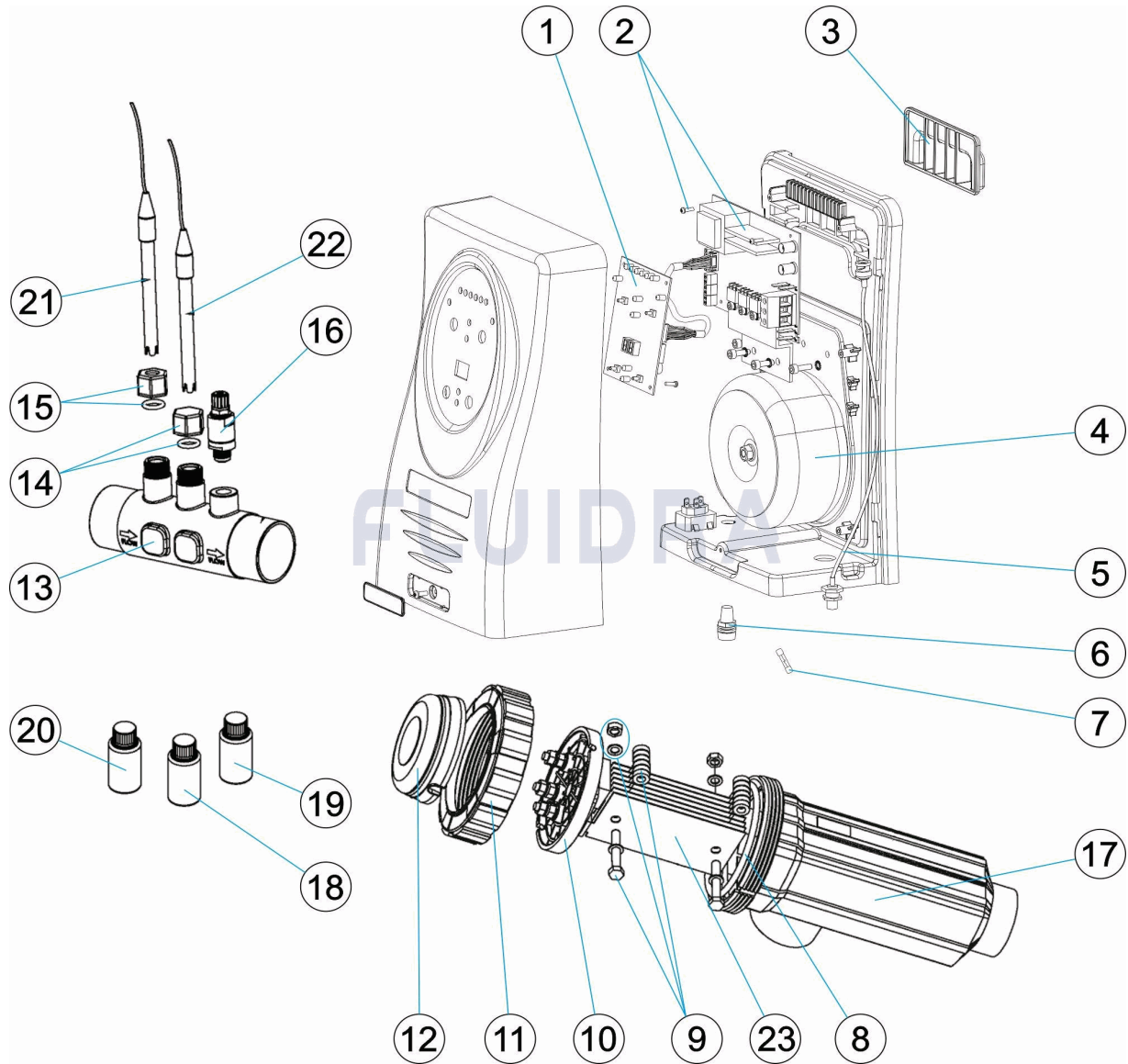
DESCRIPTION: **SPRINT CHLORE**

## OBSERVATIONS

POS	CODE	OBSERVATIONS
1	*CE08040054	POUR: 44362, 44363, 44364
1	*CE08040055	POUR: 44365, 44366, 44367
1	*CE08040056	POUR: 49633, 49634, 49635
2	*CE08041207	POUR: 44362
2	*CE08040058	POUR: 44365
2	*CE08041303	POUR: 49633
2	*CE08041115	POUR: 44363
2	*CE08040059	POUR: 44366
2	*CE08041304	POUR: 49634
2	*CE08041208	POUR: 44364
2	*CE08040060	POUR: 44367
2	*CE08041305	POUR: 49635
4	*CE08041106	POUR: 44362, 44365, 49633
4	*CE08041107	POUR: 44363, 44366, 49634
4	*CE08041202	POUR: 44364, 44367, 49635
7	*CE08041113	POUR: 44362, 44365, 49633
7	*CE08041114	POUR: 44363, 44366, 49634
7	*CE08041204	POUR: 44364, 44367, 49635
13	*70968	POUR: 49633, 49634, 49635
14	*CE08040067	POUR: 49633, 49634, 49635 70968
14	*CE08060121	POUR: 49633, 49634, 49635 74493
15	*CE08040604	POUR: 44365, 44366, 44367, 49633, 49634, 49635 70968
15	*CE08040444	POUR: 44365, 44366, 44367, 49633, 49634, 49635
16	*CE08040068	POUR: 49633, 49634, 49635
18	*60618	POUR: 44365, 44366, 44367, 49633, 49634, 49635
19	*60632	POUR: 44365, 44366, 44367, 49633, 49634, 49635
20	*60633	POUR: 49633, 49634, 49635
21	*60648	POUR: 44365, 44366, 44367, 49633, 49634, 49635
22	*60649	POUR: 49633, 49634, 49635
23	*CLEL012	POUR: 44362, 44365, 49633
23	*CLEL024	POUR: 44363, 44366, 49634
23	*CLEL032	POUR: 44364, 44367, 49635

CODE **44362, 44363, 44364, 44365, 44366, 44367, 49633, 49634, 49635**

DESCRIPTION: **SPRINT CHLORE**



**ENGLISH**

POS	CODE	DESCRIPTION	QUANTITY	POS	CODE	DESCRIPTION	QUANTITY
1	* CE08040054	ELECTROLYSIS DISPLAY CARD		4	* CE08041202	POWER TRANSFORMER 480 VA	
1	* CE08040055	DISPLAY/POWER CARD + PH		5	CE08070069	BNC CONNECTOR	
1	* CE08040056	DISPLAY/POWER CARD + PH/ORP		6	CE08040523	FUSE HOLDER 5X20	
2	* CE08041207	POWER CARD AC-12		7	* CE08041113	FUSE 2A	
2	* CE08040058	POWER CARD AC-12/PH		7	* CE08041114	FUSE 3A	
2	* CE08041303	POWER CARD AC-12 (PH/ORP)		7	* CE08041204	FUSE 4A	
2	* CE08041115	POWER CARD AC-22		8	CE08040510	CELL EPDM GASKET	
2	* CE08040059	POWER CARD AC-22/PH		9	CE08040073	ELECTRODE FIXING KIT	
2	* CE08041304	POWER CARD AC-22 (PH/ORP)		10	CE08040076	TC ELECTRODE HOLDER	
2	* CE08041208	POWER CARD AC-30		11	CE08040508	CLOSINGNUT FOR CELL	
2	* CE08040060	POWER CARD AC-30/PH		12	CE08040509	CONTAC PROTECTION	
2	* CE08041305	POWER CARD AC-30 (PH/ORP)		13	* 70968	SENSOR HOLDER	
3	CE08041101	CONTROLLER WALL BASE		14	* CE08040067	PLUG M-25 H	

**\* SEE OBSERVATIONS SHEET**

CODE **44362, 44363, 44364, 44365, 44366, 44367, 49633, 49634, 49635**

DESCRIPTION: **SPRINT CHLORE**

4	* CE08041106	POWER TRANSFORMER 190 VA	14	* CE08060121	BLACK OBTURATING PLUG + GASKET
4	* CE08041107	POWER TRANSFORMER 370 VA	15	* CE08040604	ELECTRODE CARRIER PE 12M/M.-1/2"
15	* CE08040444	SENSOR HOLDER	21	* 60648	ELECTRODE PH
16	* CE08040068	PH-MINUS INJECTION VALVE 3/8"	22	* 60649	ORP ELECTRODE
17	57655	ELECTRODE CELL	23	* CLEL012	SPRINTCHLORE JUNIOR ELECTRODES
18	* 60618	CALIBRATION SOLUTION PH 7,0 50 M/L. (G	23	* CLEL024	SPRINTCHLORE SENIOR ELECTRODES
19	* 60632	CALIBRATION SOLUTION PH 4,0 50 M/L. (RE	23	* CLEL032	SPRINTCHLORE PLUS ELECTRODES
20	* 60633	CALIBRATION SOLUTION ORP 470 MV			



CODE **44362, 44363, 44364, 44365, 44366, 44367, 49633, 49634, 49635**

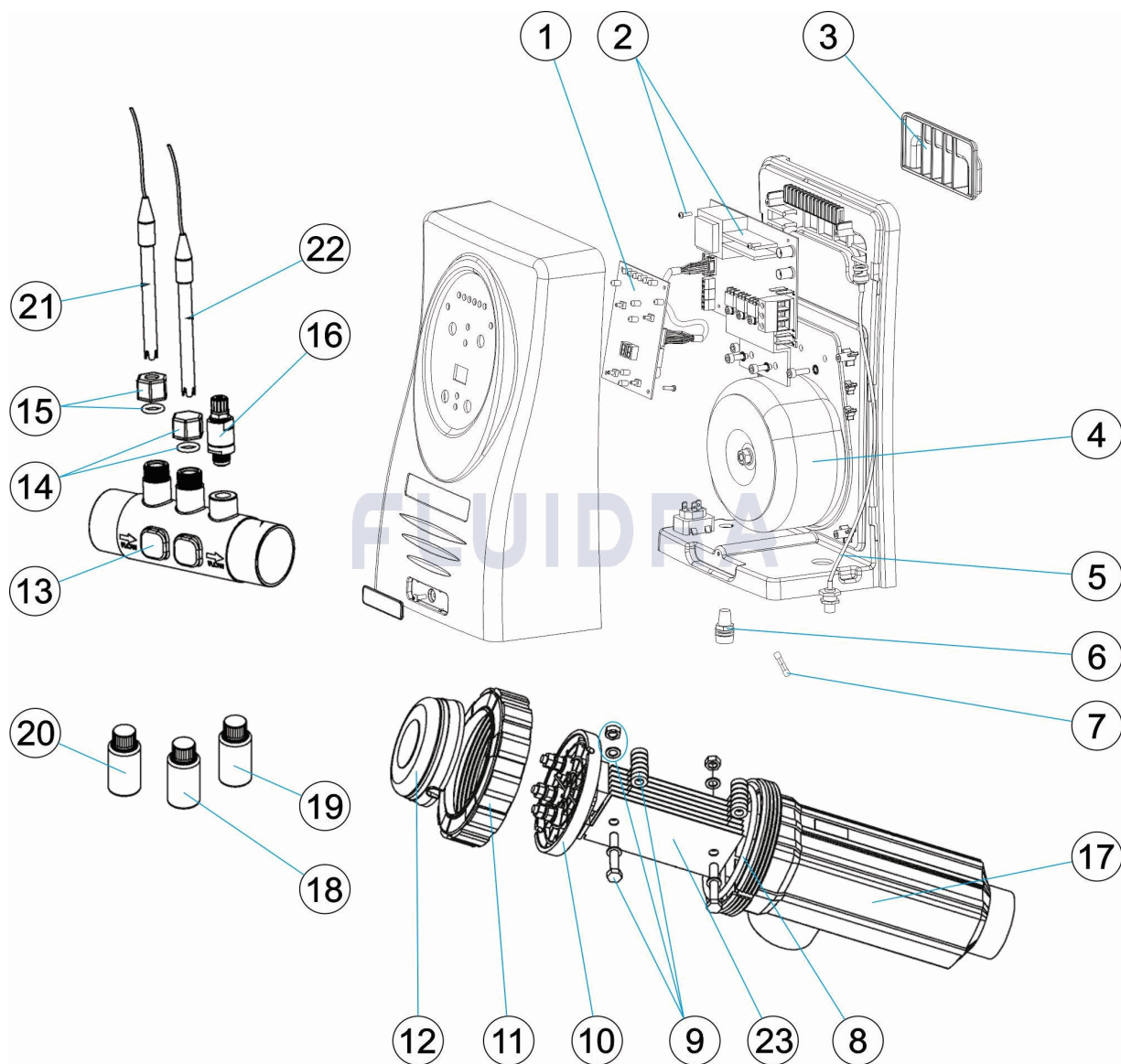
DESCRIPTION: **SPRINT CHLORE**

## OBSERVATIONS

POS	CODE	OBSERVATIONS
1	*CE08040054	FOR: 44362, 44363, 44364
1	*CE08040055	FOR: 44365, 44366, 44367
1	*CE08040056	FOR: 49633, 49634, 49635
2	*CE08041207	FOR: 44362
2	*CE08040058	FOR: 44365
2	*CE08041303	FOR: 49633
2	*CE08041115	FOR: 44363
2	*CE08040059	FOR: 44366
2	*CE08041304	FOR: 49634
2	*CE08041208	FOR: 44364
2	*CE08040060	FOR: 44367
2	*CE08041305	FOR: 49635
4	*CE08041106	FOR: 44362, 44365, 49633
4	*CE08041107	FOR: 44363, 44366, 49634
4	*CE08041202	FOR: 44364, 44367, 49635
7	*CE08041113	FOR: 44362, 44365, 49633
7	*CE08041114	FOR: 44363, 44366, 49634
7	*CE08041204	FOR: 44364, 44367, 49635
13	*70968	FOR: 49633, 49634, 49635
14	*CE08040067	FOR: 49633, 49634, 49635 70968
14	*CE08060121	FOR: 49633, 49634, 49635 74493
15	*CE08040604	FOR: 44365, 44366, 44367, 49633, 49634, 49635 70968
15	*CE08040444	FOR: 44365, 44366, 44367, 49633, 49634, 49635
16	*CE08040068	FOR: 49633, 49634, 49635
18	*60618	FOR: 44365, 44366, 44367, 49633, 49634, 49635
19	*60632	FOR: 44365, 44366, 44367, 49633, 49634, 49635
20	*60633	FOR: 49633, 49634, 49635
21	*60648	FOR: 44365, 44366, 44367, 49633, 49634, 49635
22	*60649	FOR: 49633, 49634, 49635
23	*CLEL012	FOR: 44362, 44365, 49633
23	*CLEL024	FOR: 44363, 44366, 49634
23	*CLEL032	FOR: 44364, 44367, 49635

CODICE **44362, 44363, 44364, 44365, 44366, 44367, 49633, 49634, 49635**

DESCRIZIONE: **SPRINT CHLORE**



## ITALIANO

POS	CODICE	DESCRIZIONE	QUANTITA'	POS	CODICE	DESCRIZIONE	QUANTITA'
1	* CE08040054	CARTA D'INDICAZIONE ELETTROLISI		4	* CE08041202	TRANSFORMATORE POTENZA 480 VA	
1	* CE08040055	CARTA D'INDICAZIONE + PH		5	CE08070069	CONNETTORE BNC	
1	* CE08040056	CARTA D'INDICAZIONE + PH/ORP		6	CE08040523	PORTAFUSIBILI 5X20 CORPO	
2	* CE08041207	CARTA POTENZA AC-12		7	* CE08041113	FUSIVILE 2A	
2	* CE08040058	CARTA POTENZA AC-12/PH		7	* CE08041114	FUSIVILE 3A	
2	* CE08041303	CARTA POTENZA AC-12 (PH/ORP)		7	* CE08041204	FUSIVILE 4A	
2	* CE08041115	CARTA POTENZA AC-22		8	CE08040510	GUARNIZIONE COPERCHIO CELLA	
2	* CE08040059	CARTA POTENZA AC-22/PH		9	CE08040073	ELETTRODI KIT ANCORAGGIO	
2	* CE08041304	CARTA POTENZA AC-22 (PH/ORP)		10	CE08040076	ELETTRODI DI RICAMBIO RICHIESTA SOST	
2	* CE08041208	CARTA POTENZA AC-30		11	CE08040508	GHIERA CHIUSURA CELLA	
2	* CE08040060	CARTA POTENZA AC-30/PH		12	CE08040509	PROTECTORE CONTATTI	
2	* CE08041305	CARTA POTENZA AC-30 (PH/ORP)		13	* 70968	PORTA-SONDE	
3	CE08041101	BASE PARETE CONTROLLATORE		14	* CE08040067	TAPPO M-25 H	

CODICE **44362, 44363, 44364, 44365, 44366, 44367, 49633, 49634, 49635**

DESCRIZIONE: **SPRINT CHLORE**

4	* CE08041106	TRANSFORMATORE POTENZA 190 VA	14	* CE08060121	TAPPO NERO PICCOLO + GUARNIZIONE
4	* CE08041107	TRANSFORMATORE POTENZA 370 VA	15	* CE08040604	PORTAELETTODO PE 12M/M. X 1/2"
15	* CE08040444	PORTA-SONDE	21	* 60648	ELETTRODO COMBINATO PH
16	* CE08040068	VALVOLA INIEZIONE PH-MINUS 3/8"	22	* 60649	ELETTRODO RX
17	57655	CELLA PORTAELETTRODI	23	* CLEL012	ELETTRODI SPRINTCHLORE JUNIOR
18	* 60618	SOLUCIONE TAMPONE PH 7,0 50 M/L. (VEF	23	* CLEL024	ELETTRODI SPRINTCHLORE SENIOR
19	* 60632	SOLUCIONE TAMPONE PH 4,0 50 ML. (ROS	23	* CLEL032	ELETTRODI SPRINTCHLORE PLUS
20	* 60633	SOLUCIONE CALIBRAZIONE 470MV.			

CODICE **44362, 44363, 44364, 44365, 44366, 44367, 49633, 49634, 49635**

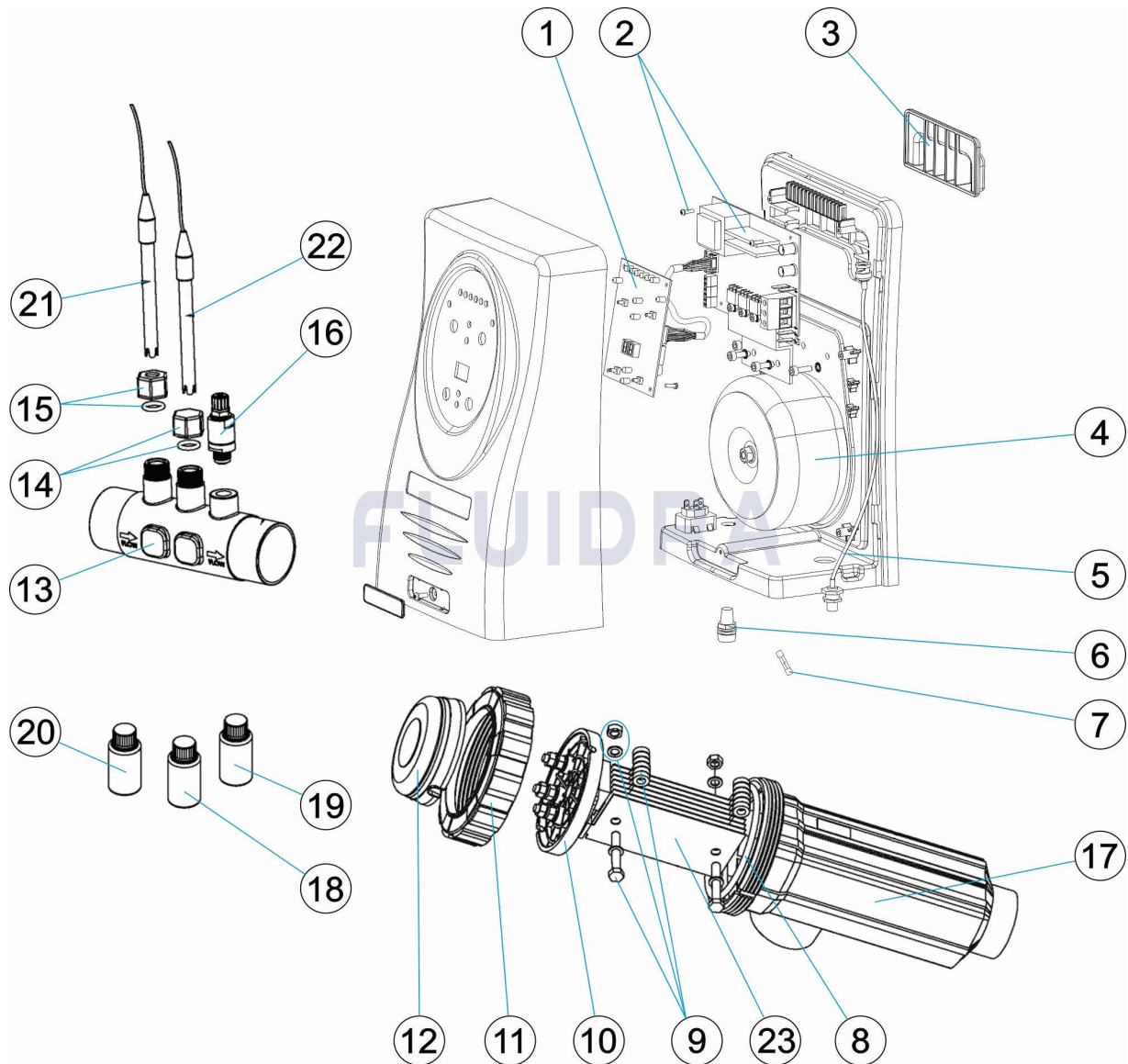
DESCRIZIONE: **SPRINT CHLORE**

## OSSERVAZIONI

POS	CODICE	OSSERVAZIONI
1	*CE08040054	PER: 44362, 44363, 44364
1	*CE08040055	PER: 44365, 44366, 44367
1	*CE08040056	PER: 49633, 49634, 49635
2	*CE08041207	PER: 44362
2	*CE08040058	PER: 44365
2	*CE08041303	PER: 49633
2	*CE08041115	PER: 44363
2	*CE08040059	PER: 44366
2	*CE08041304	PER: 49634
2	*CE08041208	PER: 44364
2	*CE08040060	PER: 44367
2	*CE08041305	PER: 49635
4	*CE08041106	PER: 44362, 44365, 49633
4	*CE08041107	PER: 44363, 44366, 49634
4	*CE08041202	PER: 44364, 44367, 49635
7	*CE08041113	PER: 44362, 44365, 49633
7	*CE08041114	PER: 44363, 44366, 49634
7	*CE08041204	PER: 44364, 44367, 49635
13	*70968	PER: 49633, 49634, 49635
14	*CE08040067	PER: 49633, 49634, 49635 70968
14	*CE08060121	PER: 49633, 49634, 49635 74493
15	*CE08040604	PER: 44365, 44366, 44367, 49633, 49634, 49635 70968
15	*CE08040444	PER: 44365, 44366, 44367, 49633, 49634, 49635
16	*CE08040068	PER: 49633, 49634, 49635
18	*60618	PER: 44365, 44366, 44367, 49633, 49634, 49635
19	*60632	PER: 44365, 44366, 44367, 49633, 49634, 49635
20	*60633	PER: 49633, 49634, 49635
21	*60648	PER: 44365, 44366, 44367, 49633, 49634, 49635
22	*60649	PER: 49633, 49634, 49635
23	*CLEL012	PER: 44362, 44365, 49633
23	*CLEL024	PER: 44363, 44366, 49634
23	*CLEL032	PER: 44364, 44367, 49635

CODE **44362, 44363, 44364, 44365, 44366, 44367, 49633, 49634, 49635**

BESCHREIBUNG: **SPRINT CHLORE**



**DEUTSCH**

POS	CODE	BESCHREIBUNG	MENGE	POS	CODE	BESCHREIBUNG	MENGE
1	* CE08040054	VISUALISIERPLATINE ELEKTROLYSE		4	* CE08041202	TRAFO 480 VA	
1	* CE08040055	VISUALISIERPLATINE ELEKTROLYSE MIT F		5	CE08070069	STECKKUPPLUNG BNC	
1	* CE08040056	BILDSCHIRM ELEKTROLYSE UND PH/ORP		6	CE08040523	SICHERUNGSSITZ 5 X 20 RAHMEN	
2	* CE08041207	LEISTUNGSPLATINE AC - 12		7	* CE08041113	SICHERUNG 2 A	
2	* CE08040058	LEISTUNGSPLATINE AC - 12/PH		7	* CE08041114	SICHERUNG 3 A	
2	* CE08041303	LEISTUNGSPLATINE AC-12 (PH/ORP)		7	* CE08041204	SICHERUNG 4 A	
2	* CE08041115	LEISTUNGSPLATINE AC - 22		8	CE08040510	DICHTUNG GEHÄUSE EPDM	
2	* CE08040059	LEISTUNGSPLATINE AC - 22/PH		9	CE08040073	KIT VERANKERUNG ELEKTRODEN	
2	* CE08041304	LEISTUNGSPLATINE AC-22 (PH/ORP)		10	CE08040076	HALTERUNG ELEKTRODE OFFEN TC	
2	* CE08041208	LEISTUNGSPLATINE AC - 30		11	CE08040508	MUTTER SCHLIESSVORRICHTUNG ZELLE	
2	* CE08040060	LEISTUNGSPLATINE AC - 30/PH		12	CE08040509	KONTAKTSCHUTZ	
2	* CE08041305	LEISTUNGSPLATINE AC-30 (PH/ORP)		13	* 70968	SONDENHALTERUNG	
3	CE08041101	WANDHALTERUNG STEUERUNG		14	* CE08040067	STOPFEN PH/OPR-SONDE SONDENHALTEI	

\* SIEHE ANMERKUGSBLATT

CODE **44362, 44363, 44364, 44365, 44366, 44367, 49633, 49634, 49635**BESCHREIBUNG: **SPRINT CHLORE**

4	* CE08041106	TRAFO 190 VA	14	* CE08060121	STOPFEN SCHWARZ VERSCHLUSS UND D
4	* CE08041107	TRAFO 370 VA	15	* CE08040604	ELEKTRODENSITZ PE 12 MM-1/2"
15	* CE08040444	SONDENHALTERUNG	21	* 60648	ELEKTRODE KOMBINIERT PH
16	* CE08040068	INJEKTORVENTIL PH-MINUS 3/8"	22	* 60649	ORP-ELEKTRODE
17	57655	ELEKTRODENZELLE	23	* CLEL012	ERSATZ ELEKTRODEN JUNIOR
18	* 60618	PUFFER PH 7,0 50 M/L (GRÜN)	23	* CLEL024	ERSATZ ELEKTRODEN SENIOR
19	* 60632	PUFFER PH 4,0 50 ML (ROT)	23	* CLEL032	ELEKTRODE MODELL PLUS
20	* 60633	KALIBRIERLÖSUNG 47 0MV			

CODE **44362, 44363, 44364, 44365, 44366, 44367, 49633, 49634, 49635**

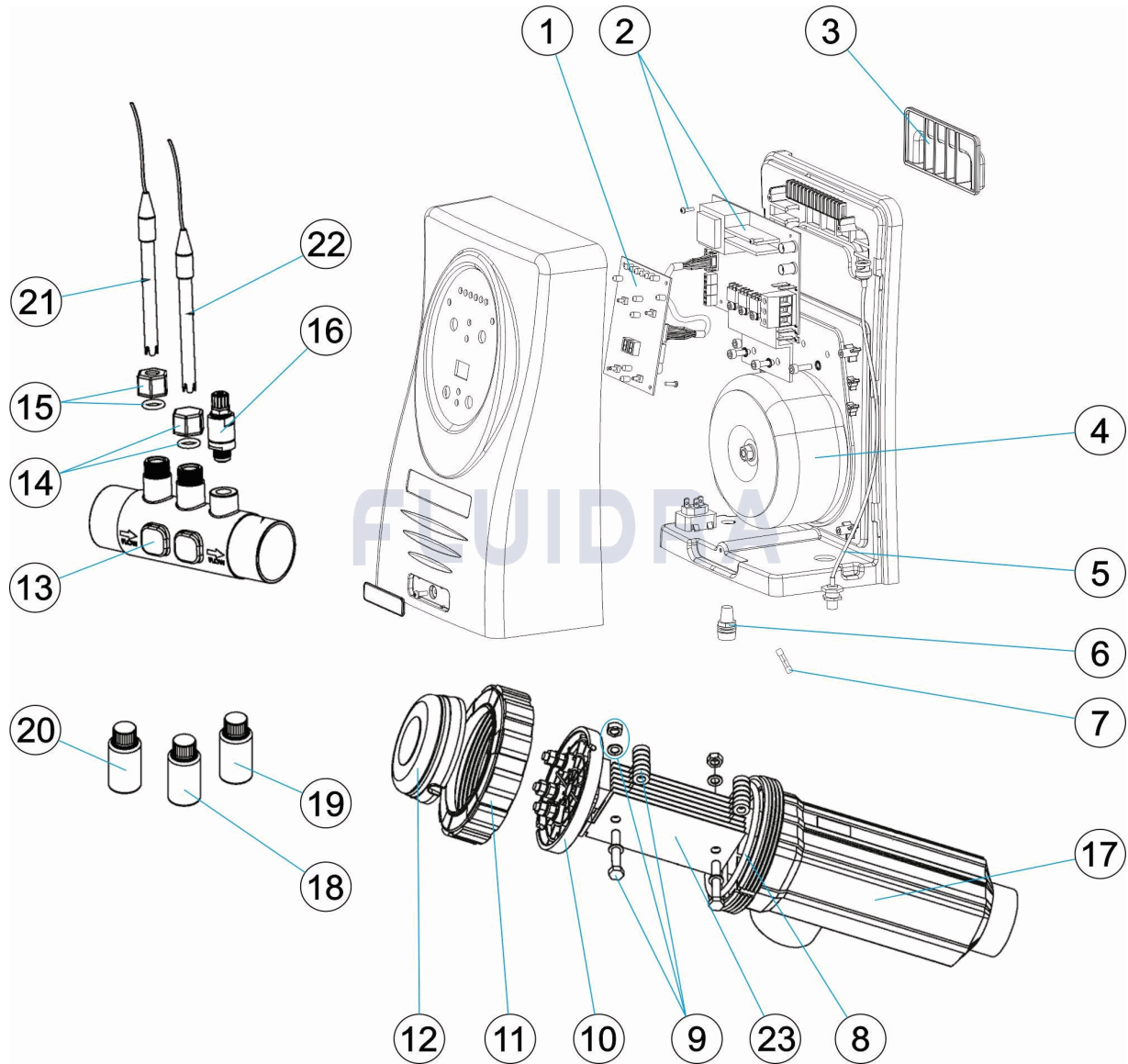
BESCHREIBUNG: **SPRINT CHLORE**

## HINWEISE

POS	CODE	HINWEISE
1	*CE08040054	FÜR: 44362, 44363, 44364
1	*CE08040055	FÜR: 44365, 44366, 44367
1	*CE08040056	FÜR: 49633, 49634, 49635
2	*CE08041207	FÜR: 44362
2	*CE08040058	FÜR: 44365
2	*CE08041303	FÜR: 49633
2	*CE08041115	FÜR: 44363
2	*CE08040059	FÜR: 44366
2	*CE08041304	FÜR: 49634
2	*CE08041208	FÜR: 44364
2	*CE08040060	FÜR: 44367
2	*CE08041305	FÜR: 49635
4	*CE08041106	FÜR: 44362, 44365, 49633
4	*CE08041107	FÜR: 44363, 44366, 49634
4	*CE08041202	FÜR: 44364, 44367, 49635
7	*CE08041113	FÜR: 44362, 44365, 49633
7	*CE08041114	FÜR: 44363, 44366, 49634
7	*CE08041204	FÜR: 44364, 44367, 49635
13	*70968	FÜR: 49633, 49634, 49635
14	*CE08040067	FÜR: 49633, 49634, 49635 70968
14	*CE08060121	FÜR: 49633, 49634, 49635 74493
15	*CE08040604	FÜR: 44365, 44366, 44367, 49633, 49634, 49635 70968
15	*CE08040444	FÜR: 44365, 44366, 44367, 49633, 49634, 49635
16	*CE08040068	FÜR: 49633, 49634, 49635
18	*60618	FÜR: 44365, 44366, 44367, 49633, 49634, 49635
19	*60632	FÜR: 44365, 44366, 44367, 49633, 49634, 49635
20	*60633	FÜR: 49633, 49634, 49635
21	*60648	FÜR: 44365, 44366, 44367, 49633, 49634, 49635
22	*60649	FÜR: 49633, 49634, 49635
23	*CLEL012	FÜR: 44362, 44365, 49633
23	*CLEL024	FÜR: 44363, 44366, 49634
23	*CLEL032	FÜR: 44364, 44367, 49635

CODIGO **44362, 44363, 44364, 44365, 44366, 44367, 49633, 49634, 49635**

DESCRIÇÃO: **SPRINT CHLORE**



### PORTUGUES

POS	CODIGO	DESCRIÇÃO	JANTIDADE	POS	CODIGO	DESCRIÇÃO	JANTIDADE
1	* CE08040054	TARJETAINDICASAOELECTROLISE		4	* CE08041202	TRANSFORMADOR POTÊNCIA 480VA	
1	* CE08040055	TARJETA INDICAÇÃO + PH		5	CE08070069	LIGAÇÃO BNC	
1	* CE08040056	TARJETA INDICAÇÃO + PH/ORP		6	CE08040523	PORTAFUSIVEIS 5X20 CHASIS	
2	* CE08041207	TARJETA POTÊNCIA AC-12		7	* CE08041113	FUSIVEL 2A	
2	* CE08040058	TARJETA POTÊNCIA AC-12/PH		7	* CE08041114	FUSIVEL 3A	
2	* CE08041303	TARJETA POTÊNCIA AC-12 (PH/ORP)		7	* CE08041204	FUSIVEL 4A	
2	* CE08041115	TARJETA POTÊNCIA AC-22		8	CE08040510	JUNTA EPDM COPO	
2	* CE08040059	TARJETA POTÊNCIA AC-22/PH		9	CE08040073	KIT ÂNCORA ELETRODOS KIT	
2	* CE08041304	TARJETA POTÊNCIA AC-22 (PH/ORP)		10	CE08040076	ELETRODOS DE REPOSIÇÃO APOIO ABER	
2	* CE08041208	TARJETA POTÊNCIA AC-30		11	CE08040508	TAMPA ROSCADA DE FECHO DA VASO	
2	* CE08040060	TARJETA POTÊNCIA AC-30/PH		12	CE08040509	PROTECTOR CONTACTOS	
2	* CE08041305	TARJETA POTÊNCIA AC-30 (PH/ORP)		13	* 70968	PORTA-SONDAS	
3	CE08041101	BASE PAREDE CONTROLADOR		14	* CE08040067	TAMPÃO M-25 H	

\* VEJA A FICHA DE OBSERVAÇÕES



CODIGO **44362, 44363, 44364, 44365, 44366, 44367, 49633, 49634, 49635**DESCRIÇÃO: **SPRINT CHLORE**

4	* CE08041106	TRANSFORMADOR POTÊNCIA 190VA	14	* CE08060121	TAMPÃO PRETO OBTURADOR + JUNTA
4	* CE08041107	TRANSFORMADOR POTÊNCIA 370VA	15	* CE08040604	PORTAELECTRODOS PE 12M/M-1/2"
15	* CE08040444	PORTA-SONDAS	21	* 60648	ELECTRODO COMBINADO PH
16	* CE08040068	VALVOLA INJEÇÃO PH-MINUS 3/8"	22	* 60649	ELECTRODO ORP
17	57655	VASO PORTA-ELECTRODOS	23	* CLEL012	ELÉCTRODOS SPRINTCHLORE JUNIOR
18	* 60618	SOLUÇÃO TAMPÃO PH 7,0 50 M/L. (VERDE	23	* CLEL024	ELÉCTRODOS SPRINTCHLORE SENIOR
19	* 60632	SOLUÇÃO TAMPÃO PH 4,0 50 ML. (VERMEI	23	* CLEL032	ELÉCTRODOS SPRINTCHLORE PLUS
20	* 60633	SOLUÇÃO TAMPÃO 470 MV			

**CODIGO 44362, 44363, 44364, 44365, 44366, 44367, 49633, 49634, 49635**

**DESCRIÇÃO: SPRINT CHLORE**

## OBSERVAÇÕES

POS	CODIGO	OBSERVAÇÕES
1	*CE08040054	PARA: 44362, 44363, 44364
1	*CE08040055	PARA: 44365, 44366, 44367
1	*CE08040056	PARA: 49633, 49634, 49635
2	*CE08041207	PARA: 44362
2	*CE08040058	PARA: 44365
2	*CE08041303	PARA: 49633
2	*CE08041115	PARA: 44363
2	*CE08040059	PARA: 44366
2	*CE08041304	PARA: 49634
2	*CE08041208	PARA: 44364
2	*CE08040060	PARA: 44367
2	*CE08041305	PARA: 49635
4	*CE08041106	PARA: 44362, 44365, 49633
4	*CE08041107	PARA: 44363, 44366, 49634
4	*CE08041202	PARA: 44364, 44367, 49635
7	*CE08041113	PARA: 44362, 44365, 49633
7	*CE08041114	PARA: 44363, 44366, 49634
7	*CE08041204	PARA: 44364, 44367, 49635
13	*70968	PARA: 49633, 49634, 49635
14	*CE08040067	PARA: 49633, 49634, 49635 70968
14	*CE08060121	PARA: 49633, 49634, 49635 74493
15	*CE08040604	PARA: 44365, 44366, 44367, 49633, 49634, 49635 70968
15	*CE08040444	PARA: 44365, 44366, 44367, 49633, 49634, 49635
16	*CE08040068	PARA: 49633, 49634, 49635
18	*60618	PARA: 44365, 44366, 44367, 49633, 49634, 49635
19	*60632	PARA: 44365, 44366, 44367, 49633, 49634, 49635
20	*60633	PARA: 49633, 49634, 49635
21	*60648	PARA: 44365, 44366, 44367, 49633, 49634, 49635
22	*60649	PARA: 49633, 49634, 49635
23	*CLEL012	PARA: 44362, 44365, 49633
23	*CLEL024	PARA: 44363, 44366, 49634
23	*CLEL032	PARA: 44364, 44367, 49635