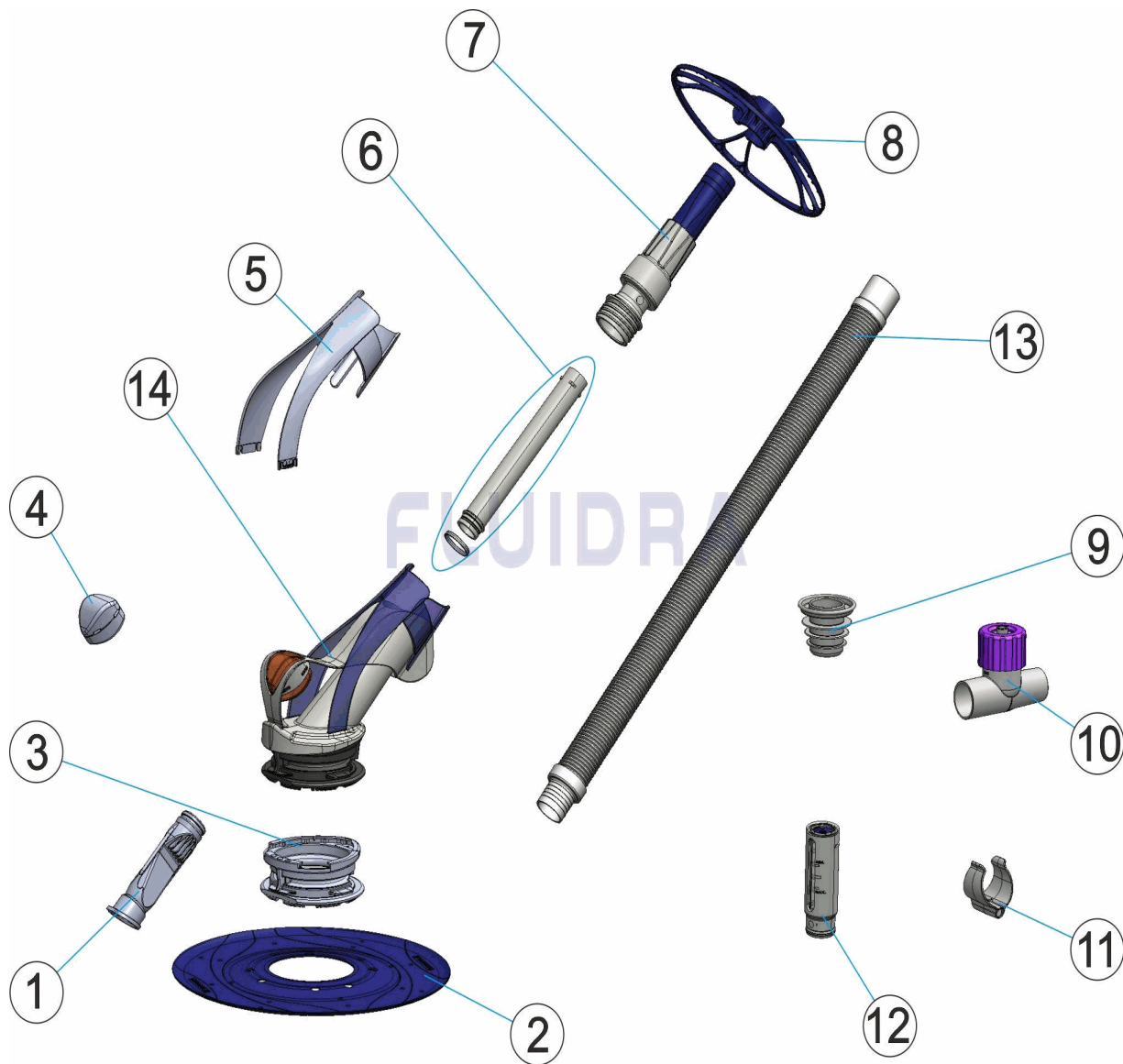


CODIGO **53789**

DESCRIPCION: LIMPIAFONDOS MEMBRANA VALS



ESPAÑOL

POS	CODIGO	DESCRIPCION	CANTIDAD	POS	CODIGO	DESCRIPCION	CANTIDAD
1	4406012401	MENBRANA ASPIRACION		9	4406012109	ADAPTADOR UNIVERSAL	
2	4406010000	ALFOMBRA		10	4406012411	REGULADOR DE CAUDAL	
3	4406010001	SUELA		11	4406012115	CONTRAPESO MANGUERA	
4	4406010002	FLOTADOR		12	4406010007	MEDIDOR DE CAUDAL	
5	4406010003	CARCASA PLUS		13	4406010008	MANGUERA TRAMO 0,7 M.	
6	4406010004	TUBO CENTRAL		13	4406010009	CJTO. CAJA MANGUERAS	
7	4406010005	TUBO ASPIRACION		14	53789R0300	CUERPO PRINCIPAL	
8	4406010006	ANILLO					

CODE 53789

DESCRIPTION: NETTOYEUR DE FOND AUTOMATIQUE VALS

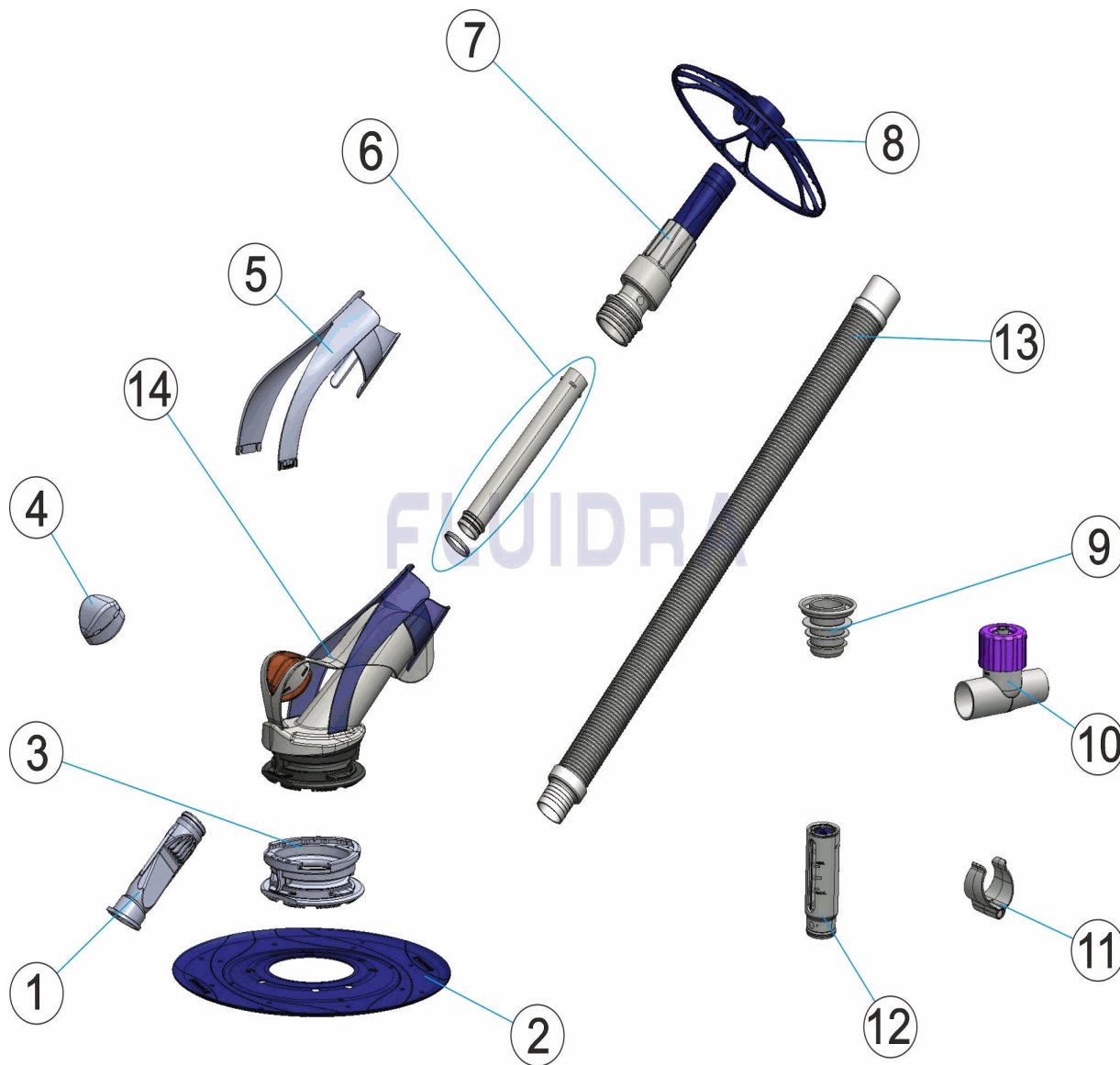


FRANCAIS

POS	CODE	DESCRIPTION	QUANTITE	POS	CODE	DESCRIPTION	QUANTITE
1	4406012401	MEMBRANE ASPIRATION		9	4406012109	ADAPTATEUR UNIVERSEL	
2	4406010000	TAPIS		10	4406012411	VANNE AUTOMATIQUE DE DÉDIT	
3	4406010001	PATIN		11	4406012115	CONTRE-POIDS DE TUYAU	
4	4406010002	FLOTTEURS		12	4406010007	MESURE DE DEBIT	
5	4406010003	CARCASSE PLUS		13	4406010008	TUYAU ASPIRATION 0,7 M	
6	4406010004	TUBE CENTRAL		13	4406010009	ENSEMBLE CARCASSE	
7	4406010005	TUBE ASPIRATION		14	53789R0300	CORPS PRINCIPAL	
8	4406010006	BAGUE					

CODE **53789**

DESCRIPTION: **VALS AUTOMATIC POOL CLEANER**

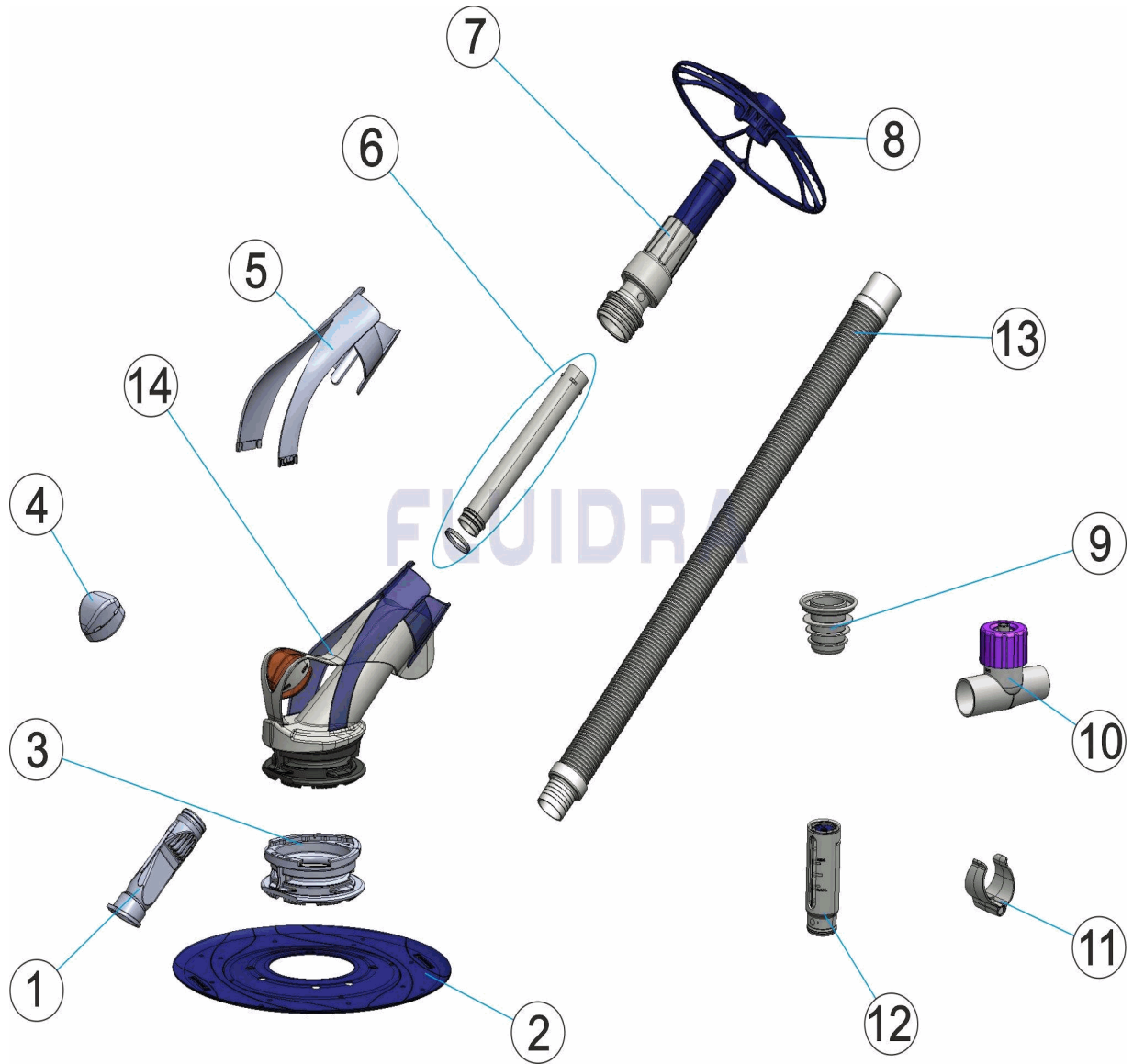


ENGLISH

POS	CODE	DESCRIPTION	QUANTITY	POS	CODE	DESCRIPTION	QUANTITY
1	4406012401	SUCTION MEMBRANE		9	4406012109	UNIVERSAL ADAPTER	
2	4406010000	DISC		10	4406012411	FLOW REGULATOR	
3	4406010001	SHOE		11	4406012115	HOSE WEIGHT	
4	4406010002	FOAM FLOAT		12	4406010007	MEASURER OF VOLUME	
5	4406010003	PLUS SHELL		13	4406010008	HOSE 0,7 M.	
6	4406010004	CENTRAL TUBE		13	4406010009	COVER SET	
7	4406010005	SUCTION TUBE SET		14	53789R0300	MAIN BODY	
8	4406010006	RING					

CODICE 53789

DESCRIZIONE: PULISCIFONDO AUTOMATICO VALS



ITALIANO

POS	CODICE	DESCRIZIONE	QUANTITA'	POS	CODICE	DESCRIZIONE	QUANTITA'
1	4406012401	DIAFRAMMA ASPIRACIONE		9	4406012109	ADATTATORE UNIVERSALE	
2	4406010000	DISCO PULIZIA		10	4406012411	REGOLATORE DI FLUSSO	
3	4406010001	SUPPORTO DISCO PULIZIA		11	4406012115	CONTRAPPESO PER TUBO	
4	4406010002	GALLEGGIANTE SINISTRO-DESTRO		12	4406010007	MEASURER DI VOLUME	
5	4406010003	SCATOLA IN PLUS		13	4406010008	TUBO ASPIRAZIONE 0,57M	
6	4406010004	TUBO CENTRALE		13	4406010009	KIT CARCASSA	
7	4406010005	TUBO ASPIRACIONE		14	53789R0300	CORPO PRINCIPALE	
8	4406010006	ANELLO					

CODE **53789**

BESCHREIBUNG: **BODENREINIGER MEMBRAN VALS**



DEUTSCH

POS	CODE	BESCHREIBUNG	MENGE	POS	CODE	BESCHREIBUNG	MENGE
1	4406012401	SAUGMENBRANA		9	4406012109	UNIVERSALADAPTER	
2	4406010000	SCHEIBE		10	4406012411	DURCHFLUSSREGLER	
3	4406010001	SCHEIBENSOHLE		11	4406012115	GEGENGEWICHT SCHLAUCH	
4	4406010002	SCHWIMMER		12	4406010007	DURCHFLUSSMESSER	
5	4406010003	GEHÄUSE PLUS		13	4406010008	SCHLAUCH ABSCHNITT 0,7 M	
6	4406010004	MITTLERES ROHR		13	4406010009	SET SCHLAUCHGEHÄUSE	
7	4406010005	SAUGROHR		14	53789R0300	HAUPTGEHÄUSE	
8	4406010006	RING					

CODIGO **53789**

DESCRIÇÃO: **LIMPADOR DE FUNDOS AUTOMÁTICO VALS**



PORTUGUES

POS	CODIGO	DESCRIÇÃO	JANTIDADE	POS	CODIGO	DESCRIÇÃO	JANTIDADE
1	4406012401	MEMBRANA ASPIRAÇÃO		9	4406012109	ADAPTADOR UNIVERSAL	
2	4406010000	DISCO		10	4406012411	REGULADOR DE CAUDAL	
3	4406010001	BASE		11	4406012115	CONTRA-PESO MANGUEIRA	
4	4406010002	FLUTUADOR		12	4406010007	MEDIDOR DO VOLUME	
5	4406010003	CARCAÇA PLUS		13	4406010008	MANGUEIRA ASPIRAÇÃO 0,7 M	
6	4406010004	TUBO CENTRAL		13	4406010009	CONJUNTO CARCASA	
7	4406010005	TUBO ASPIRAÇÃO		14	53789R0300	CORPO PRINCIPAL	
8	4406010006	ANEL					