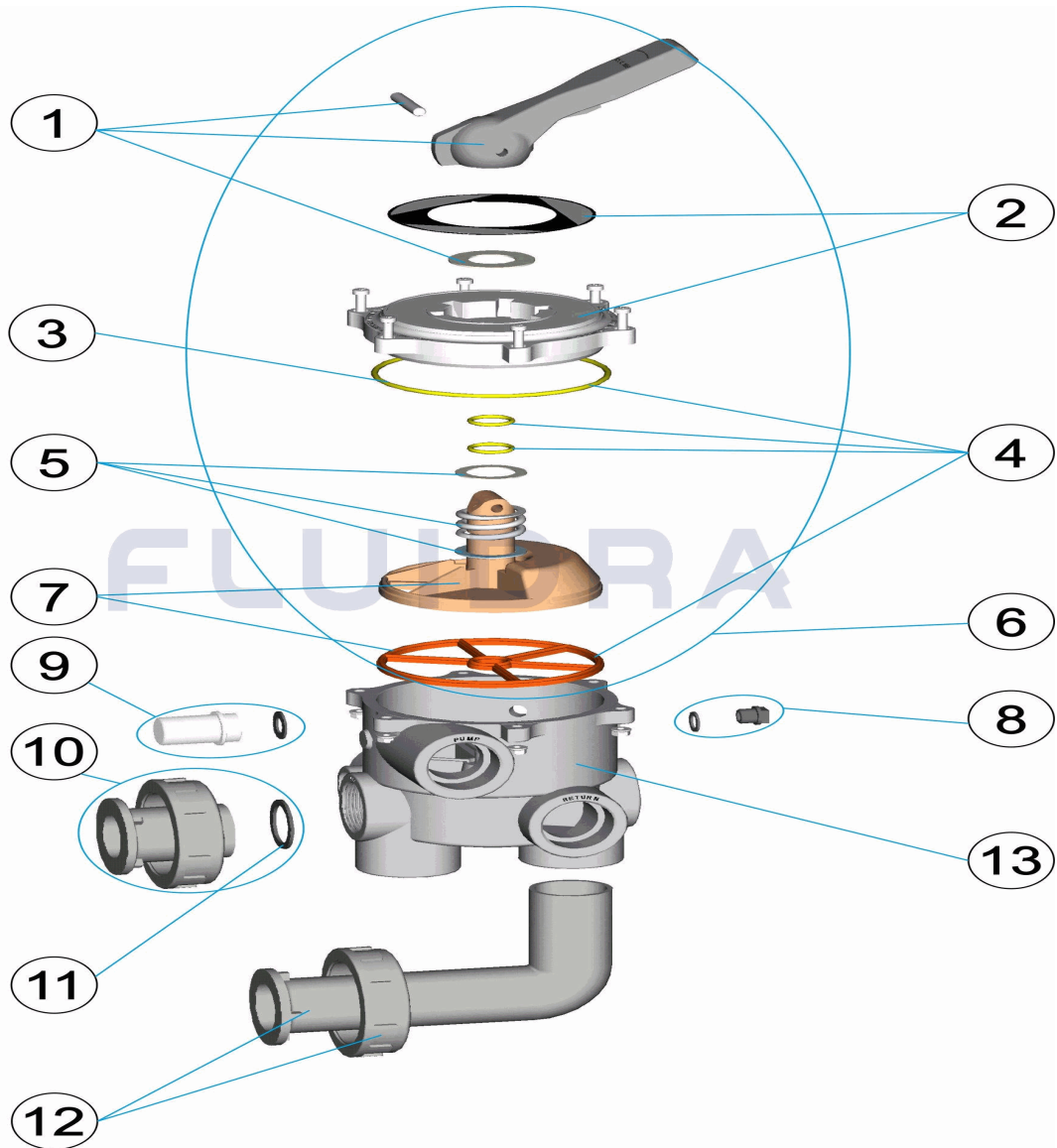
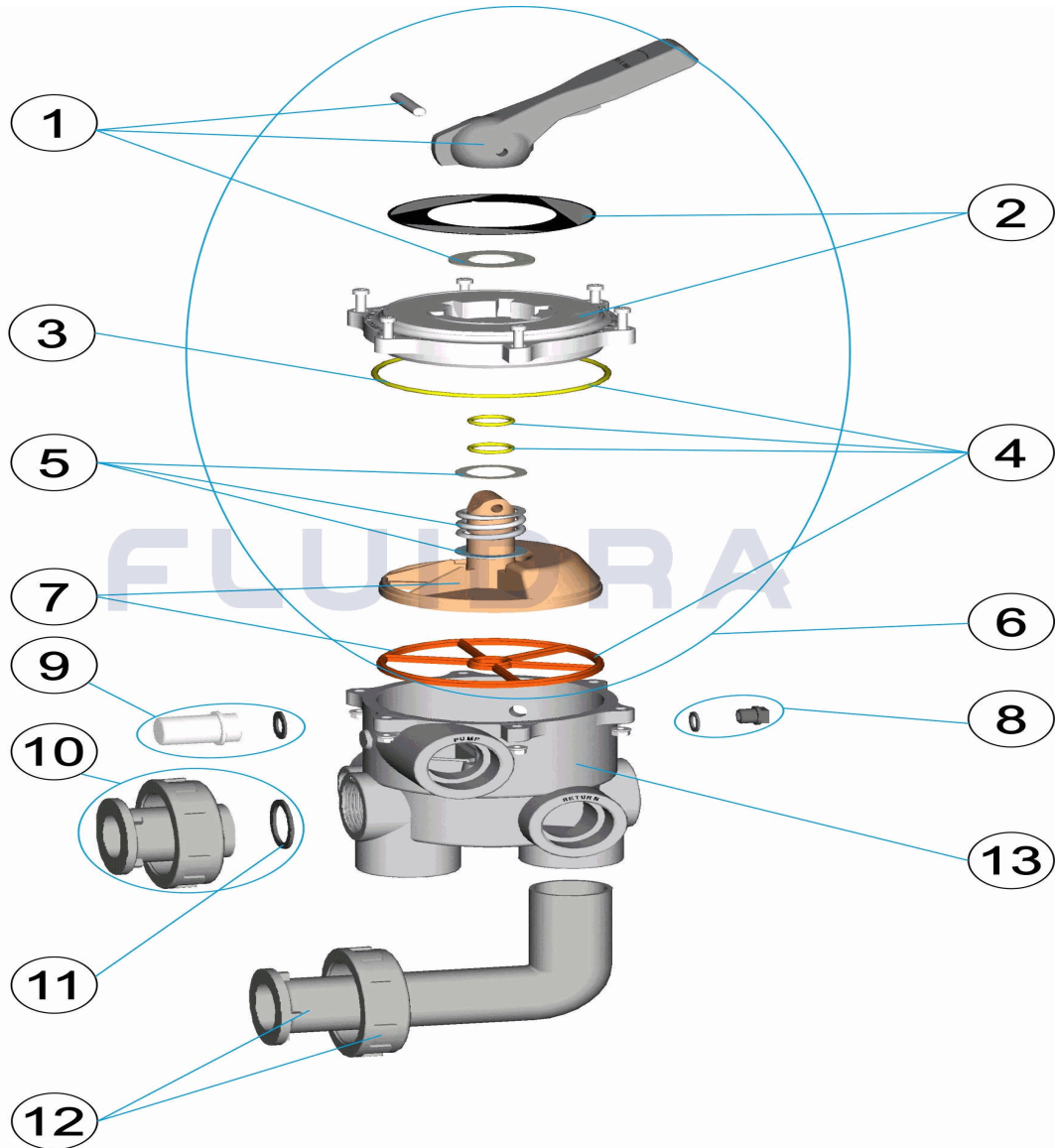


CODIGO **PS-6103**

 DESCRIPCION: **VALVULA SELECTORA 1 1/2"**

**ESPAÑOL**

POS	CODIGO	DESCRIPCION	CANTIDAD	POS	CODIGO	DESCRIPCION	CANTIDAD
1	SP-04-0001	MANETA NEGRA 1 1/2'-2'		8	SP-04-0044	TAPON 1/4"	
2	SP-04-0038	TAPA VALVULA SELECTORA 1 1/2"		9	SP-04-0007	VISOR CON JUNTA	
3	SP-04-0039	JUNTA TORICA TAPA 1 1/2"		10	SP-04-0045	ENLACE RECTO NEGRO 1 1/2' NUEVO	
4	SP-04-0040	JUNTAS VALVULA 1 1/2' NUEVA		11	SP-04-0046	JUNTA PLANA 1 1/2"	
5	SP-04-0041	RESORTE CON ARANDELAS		12	SP-04-0047	ENLACE ACODADO NEGRO 1 1/2' NUEVO	
6	SP-04-0042	CJTO. SUPERIOR 1 1/2"		13	SP-04-0216	CUERPO NEGRO 1 1/2" POSICION 3"	
7	SP-04-0043	DISTRIBUIDOR CON JUNTAS 1 1/2' NUEVO					

CODE **PS-6103**  
 DESCRIPTION: **SÉLECTEUR 1 1/2"**

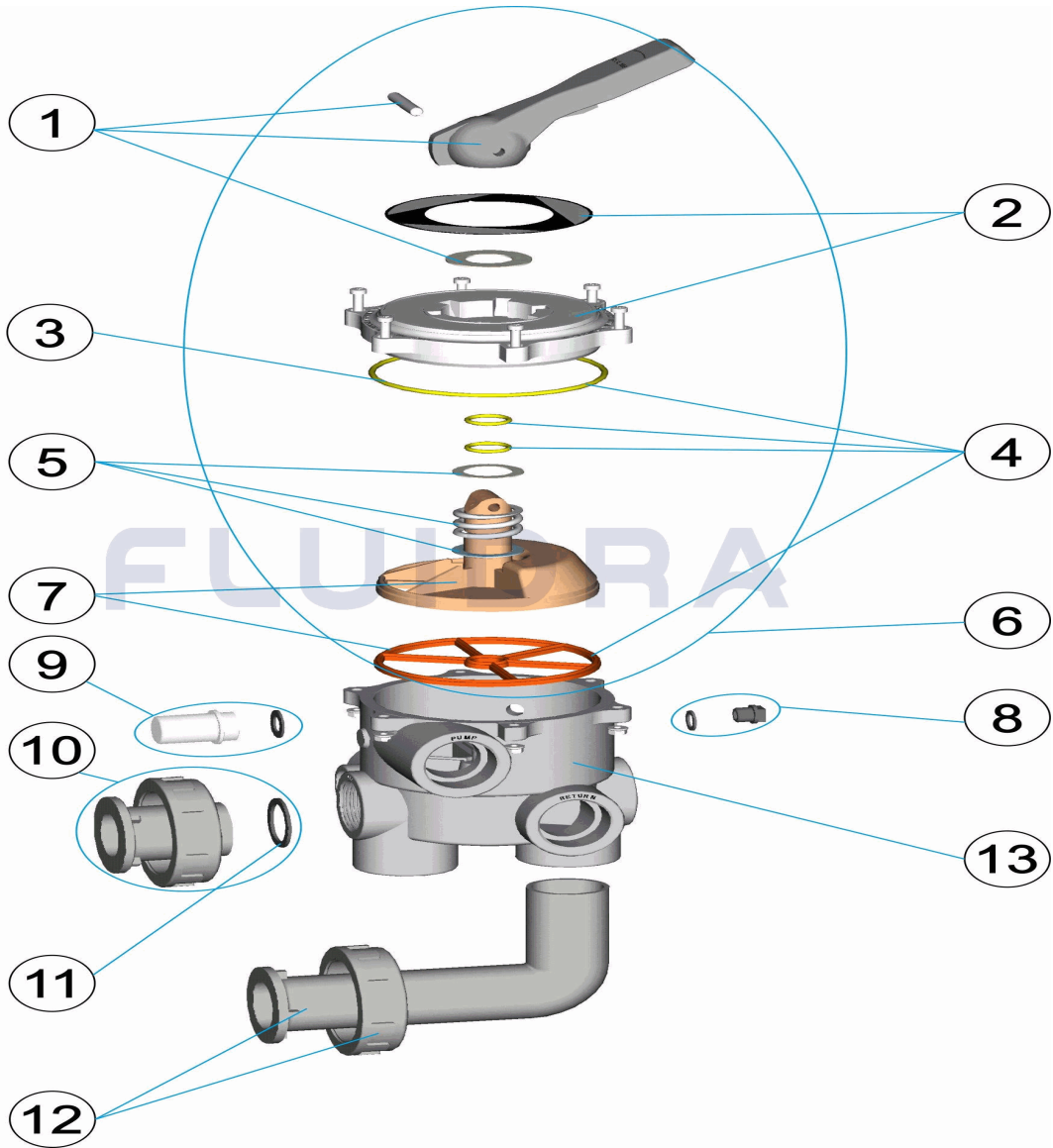


**FRANCAIS**

POS	CODE	DESCRIPTION	QUANTITE	POS	CODE	DESCRIPTION	QUANTITE
1	SP-04-0001	POIGNEE NOIRE 1 1/2' ET 2'		8	SP-04-0044	BOUCHON 1/4"	
2	SP-04-0038	DESSUS DE VANNE 1 1/2"		9	SP-04-0007	VOYANT ET JOINT	
3	SP-04-0039	JOINT TORIQUE COUVERCLE 1 1/2"		10	SP-04-0045	SORTIE DROITE NOIRE 1 1/2' NOUVEAU MC	
4	SP-04-0040	JOINTS 1 1/2' NOUVEAU MODELE		11	SP-04-0046	JOINT PLAT	
5	SP-04-0041	RESSORT ET RONDELLES		12	SP-04-0047	SORTIE COUDEE NOIRE 1 1/2'	
6	SP-04-0042	ENSEMBLE SUPERIEUR 1 1/2"		13	SP-04-0216	CORPS NOIR VARIATION 3	
7	SP-04-0043	BOISSEAU ET JOINT DE VANNE NOUVEAU					

CODE PS-6103

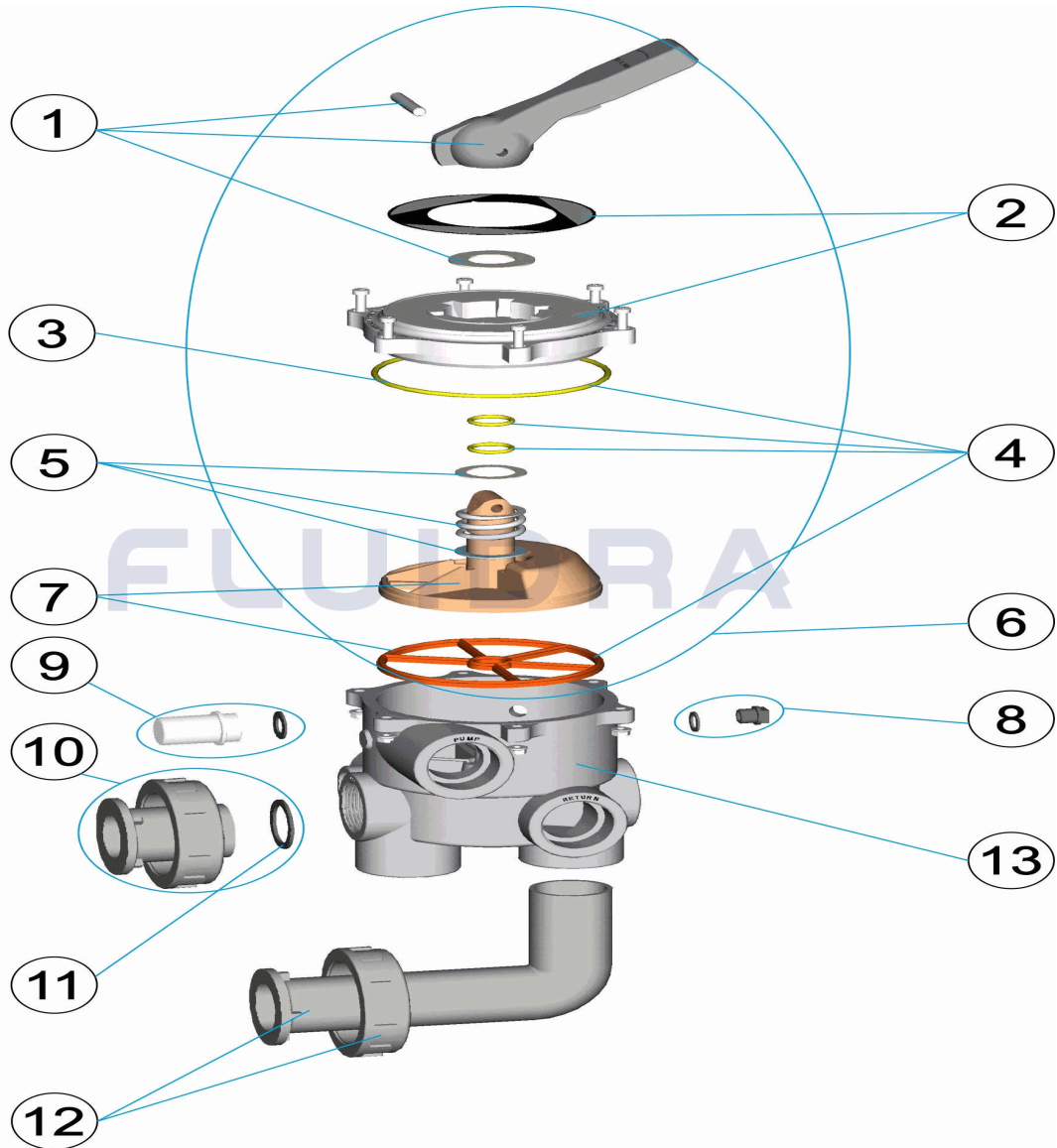
DESCRIPTION: MULTIPORT VALVE 1 1/2"



**ENGLISH**

POS	CODE	DESCRIPTION	QUANTITY	POS	CODE	DESCRIPTION	QUANTITY
1	SP-04-0001	BLACK HANDLE 11/2'-2'		8	SP-04-0044	CAP 1/4"	
2	SP-04-0038	COVERS SELECTOR VALVE 1 1/2"		9	SP-04-0007	VISOR WITH SEAL	
3	SP-04-0039	1 1/2" LID 'O' RIN "		10	SP-04-0045	UNION BLACK 1 1/2' NEW	
4	SP-04-0040	GASKETS NEW VALVE 1 1/2'		11	SP-04-0046	FLAT GASKET	
5	SP-04-0041	SPRING WITH WASHERS		12	SP-04-0047	ELBOW BLACK 1 1/2' NEW	
6	SP-04-0042	UPPER PART 1 1/2" CLOSING		13	SP-04-0216	BLACK SELECTOR VALVE 1 1/2" POS. 3"	
7	SP-04-0043	DISTRIBUTOR WITH GASKETS 1 1/2'					

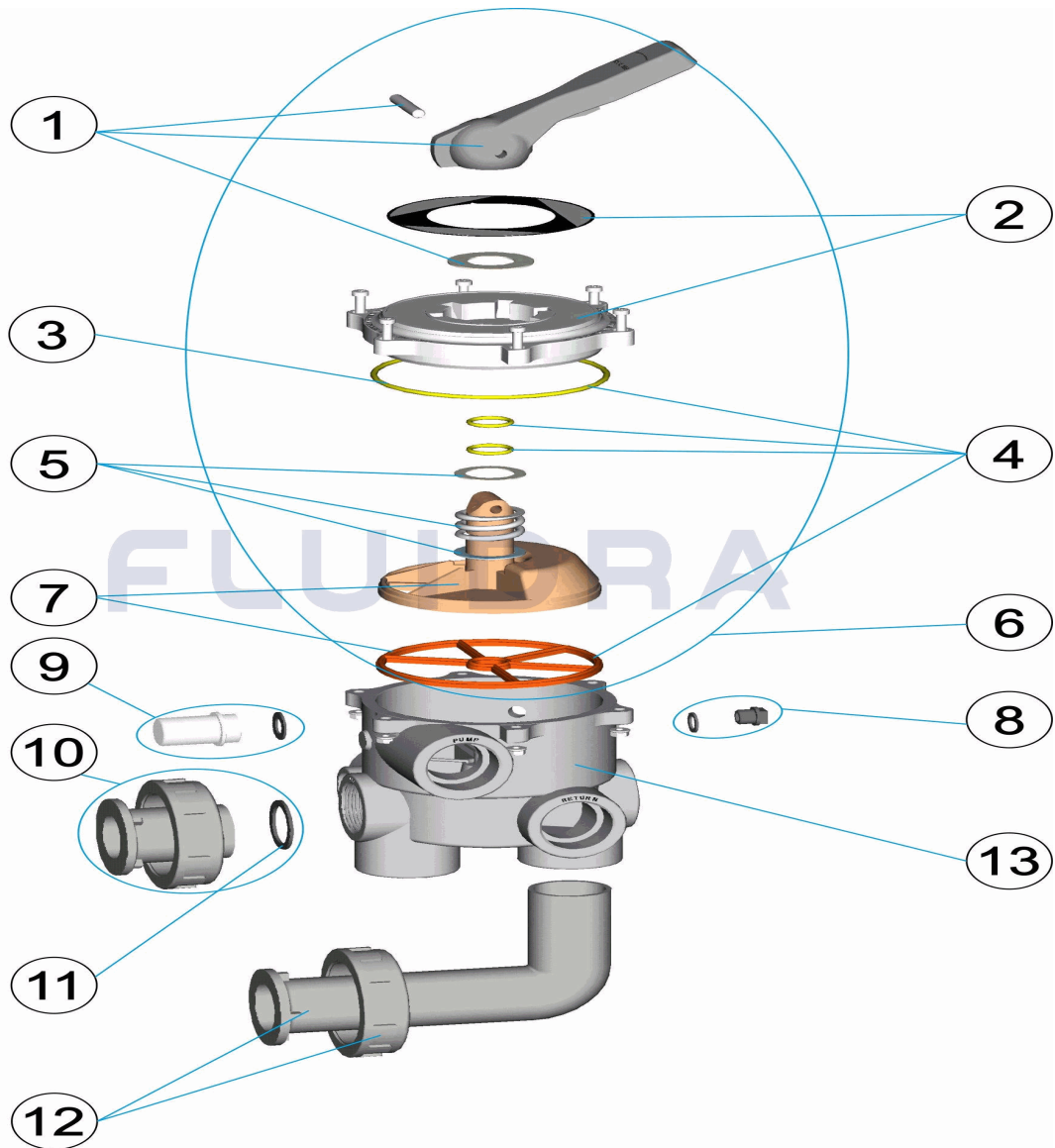
CODICE **PS-6103**

 DESCRIZIONE: **VALVOLA SELETRICE 1 1/2"**

**ITALIANO**

POS	CODICE	DESCRIZIONE	QUANTITA'	POS	CODICE	DESCRIZIONE	QUANTITA'
1	SP-04-0001	MANIGLIA NERA 1 1/2' - 2'		8	SP-04-0044	TAPPO 1/4"	
2	SP-04-0038	COPERCHIO VALVOLA 1 1/2"		9	SP-04-0007	VISORE CON GUARNIZIONE	
3	SP-04-0039	O-RING COPERCHIO 1 1/2"		10	SP-04-0045	RACCORDO DIRITTO NERO 1 1/2 NUOVO	
4	SP-04-0040	GUARNIZIONI VALVOLA 1 1/2' NUOVO		11	SP-04-0046	GUARNIZIONE PIANA	
5	SP-04-0041	MOLLA CON RONDELLA		12	SP-04-0047	RACCORDO A GOMITO NERO 1 1/2 NUOVO	
6	SP-04-0042	KIT SUPERIORE DA 1 1/2"		13	SP-04-0216	CORPO 1 1/2" POS.3 NER "	
7	SP-04-0043	DISTRIBUTORE CON GUARNIZIONI 1 1/2' N					

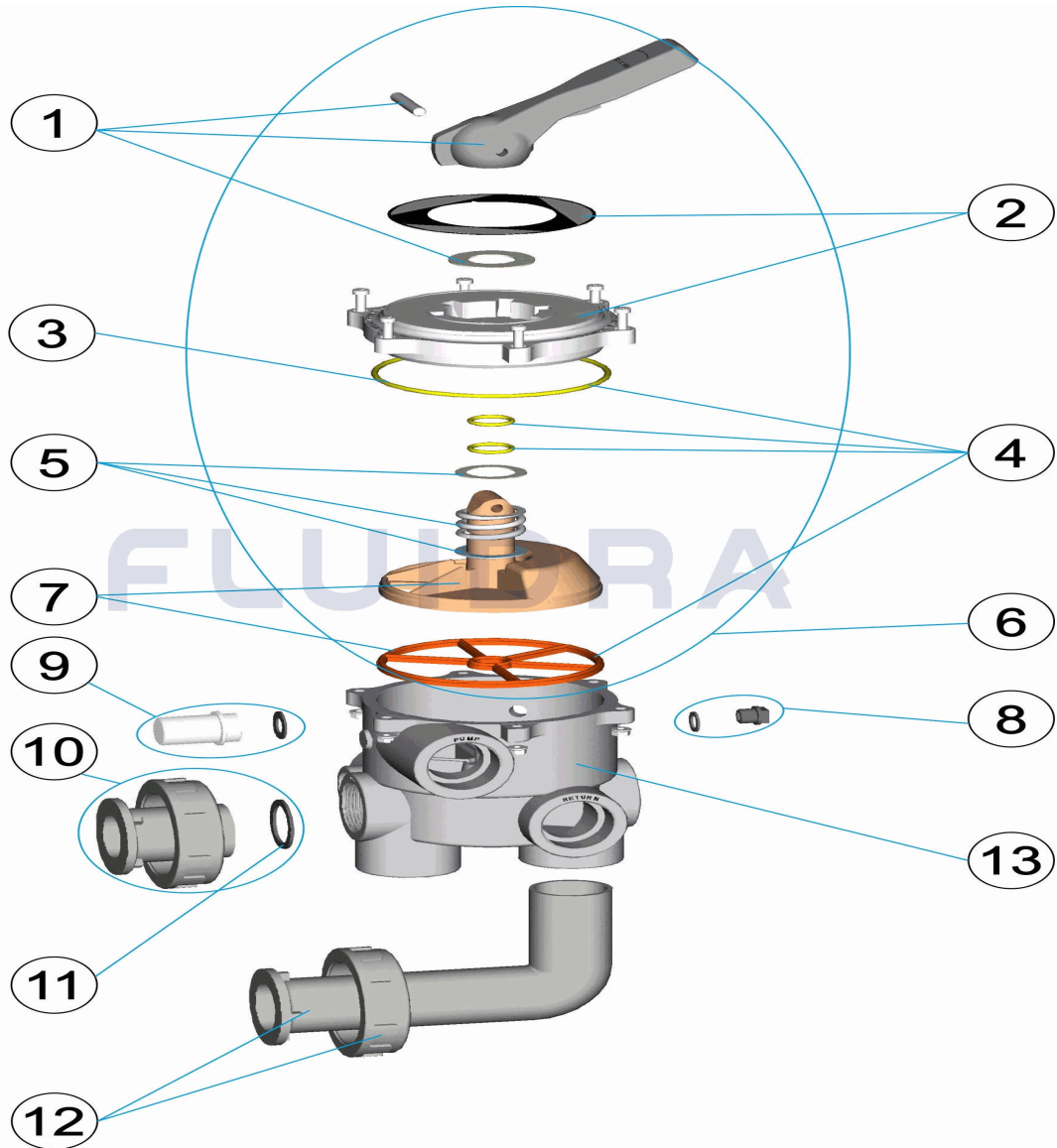
CODE

**PS-6103**

 BESCHREIBUNG: **MEHRWEGVENTIL 1 1/2"**

**DEUTSCH**

POS	CODE	BESCHREIBUNG	MENGE	POS	CODE	BESCHREIBUNG	MENGE
1	SP-04-0001	GRIFF SCHWARZ 1 1/2' - 2'		8	SP-04-0044	STOPFEN 1/4"	
2	SP-04-0038	ABDECKUNG MEHRWEGVENTIL 1 1/2"		9	SP-04-0007	SCHAUGLAS UND DICHTUNG	
3	SP-04-0039	O-RING ABDECKUNG 1 1/2"		10	SP-04-0045	ANSCHLUSS GERADE SCHWARZ 1 1/2' NEU	
4	SP-04-0040	VENTILDICHTUNGEN 1 1/2' NEUVERSION		11	SP-04-0046	FLACHDICHTUNG 1 1/2"	
5	SP-04-0041	FEDER MIT UNTERLEGSCHIEBEN		12	SP-04-0047	ANSCHLUSSWINKEL SCHWARZ 1 1/2' NEU	
6	SP-04-0042	SET OBEN 1/2"		13	SP-04-0216	GEHÄUSE SCHWARZ 1 1/2" POSITION 3"	
7	SP-04-0043	VERTEILER UND DICHTUNGEN 1 1/2' NEU					

CODIGO **PS-6103**

 DESCRIÇÃO: **VÁLVULA SELECTORA 1 ½"**

**PORTUGUES**

POS	CODIGO	DESCRIÇÃO	JANTIDADE	POS	CODIGO	DESCRIÇÃO	JANTIDADE
1	SP-04-0001	MANIPULO PRETO 1 1/2'-2'		8	SP-04-0044	TAMPÃO ¼"	
2	SP-04-0038	TAMPA VALVULA 1 1/2"		9	SP-04-0007	VISOR COM JUNTA	
3	SP-04-0039	JUNTA TÓRICA TAMPA 1 1/2"		10	SP-04-0045	LIGAÇÃO RECTA PRETA 1 1/2' NOVA	
4	SP-04-0040	JUNTAS VÁLVULA 1 1/2'		11	SP-04-0046	JUNTA PLANA	
5	SP-04-0041	MOLA COM ANILHAS		12	SP-04-0047	LIGAÇÃO CURVA PRETA 1 1/2' NOVA	
6	SP-04-0042	CJTO. SUPERIOR 1 ½"		13	SP-04-0216	CORPO 1 ½" POSIÇÃO 3 NEGR "	
7	SP-04-0043	DISTRIBUIDOR COM JUNTAS 1 1/2"					