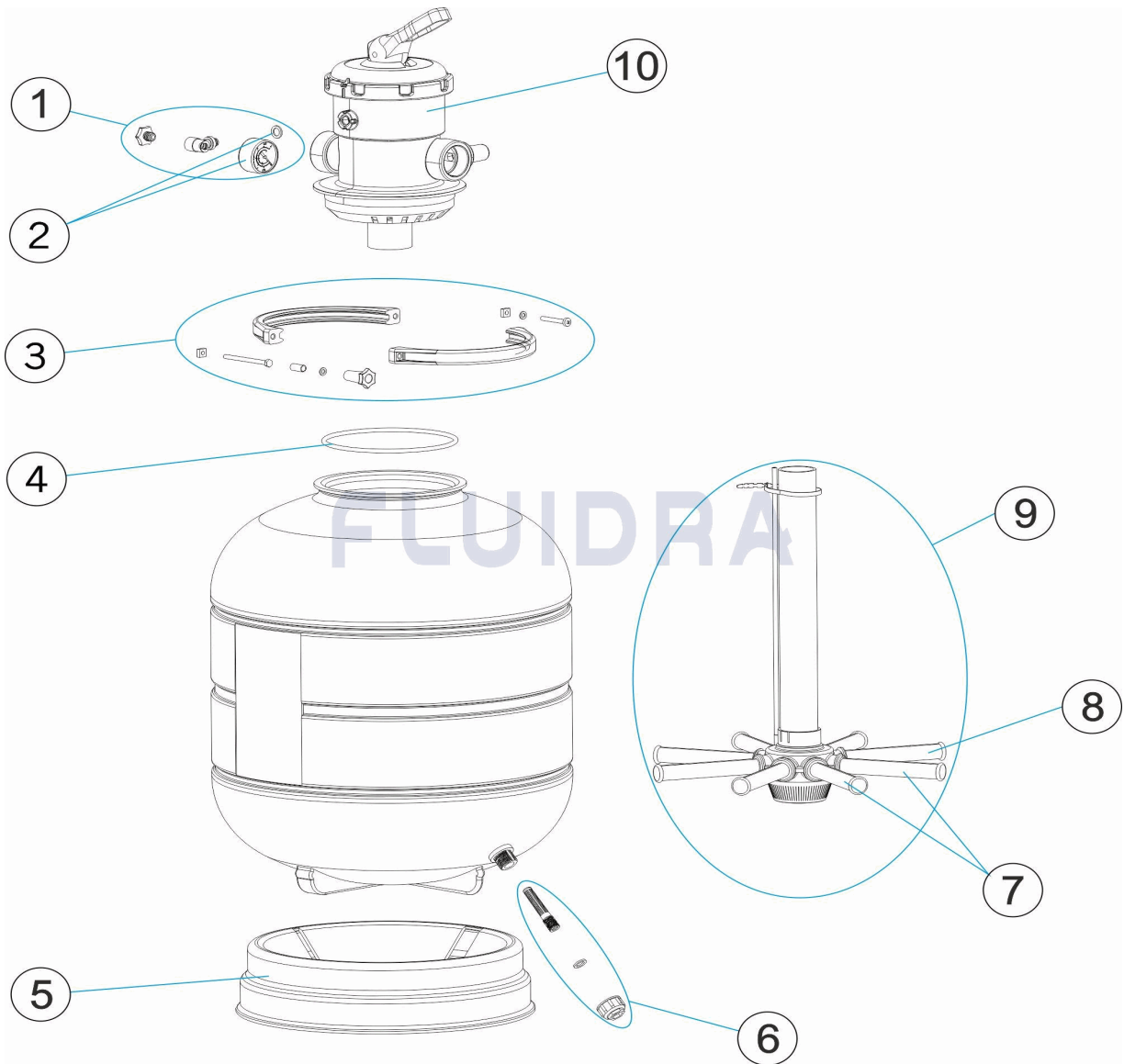


CODIGO **FEC-400-VT, FEC-450-VT, FEC-500-VT, FEC-600-VT, MEC-400-VT, MEC-450-VT, MEC-500-VT, MEC-600-VT**

DESCRIPCION: **FILTRO ROMA TOP D.400-450-500-600**



ESPAÑOL

POS	CODIGO	DESCRIPCION	CANTIDAD	POS	CODIGO	DESCRIPCION	CANTIDAD
1	SP-04-0071	MANOMETRO COMPLETO		7	* SP-04-0029	CJTO. BRAZOS COLECTOR D. 450 - 500	
2	SP-04-0072	MANOMETRO 1/8" 3 KG/C "		8	* SP-04-0017	BRAZO COLECTOR 3/4" 110 M "	
3	SP-04-0075	ZUNCHO PLASTICO		8	* SP-04-0027	BRAZO COLECTOR 3/4" 160 M "	
4	SP-04-0074	JUNTA TORICA TAPA		9	* SP-04-0202	CJTO. COLECTOR D. 400 TOP	
5	* SP-04-0229	PIE FILTRO D. 400		9	* SP-04-0203	CJTO. COLECTOR D. 450 TOP	
5	* SP-04-0230	PIE FILTRO D.500		9	* SP-04-0204	CJTO. COLECTOR D. 500 TOP	
6	SP-04-0118	PURGA ARENA		9	* SP-04-0205	CJTO. COLECTOR D. 600 TOP	
7	* SP-04-0018	CJTO. BRAZOS COLECTOR D. 350 - 400		10	PS-6405	VALVULA SELECTORA 1 1/2" TOP	



KIT

REV: 0

9106

FECHA: 24/05/2022

HOJA: 2/2

CODIGO **FEC-400-VT, FEC-450-VT, FEC-500-VT, FEC-600-VT, MEC-400-VT,
MEC-450-VT, MEC-500-VT, MEC-600-VT**

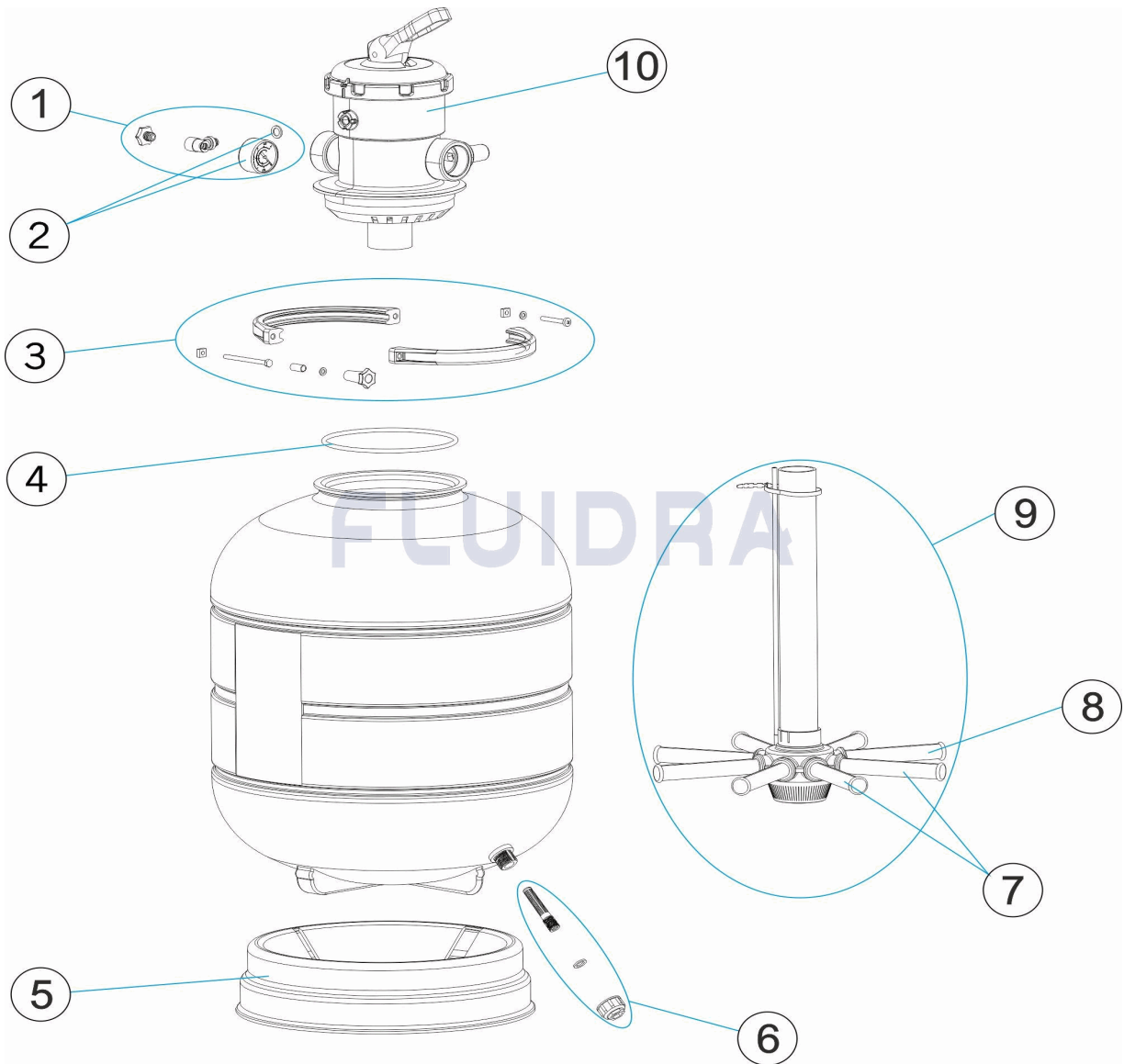
DESCRIPCION: FILTRO ROMA TOP D.400-450-500-600

OBSERVACIONES

POS	CODIGO	OBSERVACIONES
5	* SP-04-0229	PARA: MEC-400-VT, MEC-450-VT
5	* SP-04-0230	PARA: MEC-500-VT, MEC-600-VT
7	* SP-04-0018	PARA: FEC-400-VT, MEC-400-VT
7	* SP-04-0029	PARA: FEC-450-VT, MEC-450-VT, FEC-500-VT, MEC-500-VT, FEC-600-VT, MEC-600-VT
8	* SP-04-0017	PARA: FEC-400-VT [4UNIDADES], MEC-400-VT [4UNIDADES]
8	* SP-04-0027	PARA: FEC-450-VT [4UNIDADES], MEC-450-VT [4UNIDADES], FEC-500-VT [4UNIDADES], MEC-500-VT [4UNIDADES], FEC-600-VT [4UNIDADES], MEC-600-VT [4UNIDADES]
9	* SP-04-0202	PARA: FEC-400-VT, MEC-400-VT
9	* SP-04-0203	PARA: FEC-450-VT, MEC-450-VT
9	* SP-04-0204	PARA: FEC-500-VT, MEC-500-VT
9	* SP-04-0205	PARA: FEC-600-VT, MEC-600-VT

CODE **FEC-400-VT, FEC-450-VT, FEC-500-VT, FEC-600-VT, MEC-400-VT, MEC-450-VT, MEC-500-VT, MEC-600-VT**

DESCRIPTION: **FILTER ROMA TOP D.400-450-500-600**



FRANCAIS

POS	CODE	DESCRIPTION	QUANTITE	POS	CODE	DESCRIPTION	QUANTITE
1	SP-04-0071	MANOMETRE COMPLET		7	* SP-04-0029	ENSEMBLE BRAS DE REPARTITEUR D. 450	
2	SP-04-0072	MANOMETRE 1/8" 3 KG./C "		8	* SP-04-0017	BRAS DE REPARTITEUR 3/4" 110M "	
3	SP-04-0075	ENSEMBLE COLLIER EN PLASTIC		8	* SP-04-0027	BRAS DE REPARTITEUR 3/4" 160M "	
4	SP-04-0074	JOINT TORIQUE COUVERCLE		9	* SP-04-0202	ENSEMBLE COLLECTEUR D. 400 TOP	
5	* SP-04-0229	SOCLE FILTRE D 400		9	* SP-04-0203	ENSEMBLE COLLECTEUR D. 450 TOP	
5	* SP-04-0230	SOCLE FILTRE D.500		9	* SP-04-0204	ENSEMBLE COLLECTEUR D. 500 TOP	
6	SP-04-0118	PURGE SABLE		9	* SP-04-0205	ENSEMBLE COLLECTEUR D. 600 TOP	
7	* SP-04-0018	ENSEMBLE BRAS DE REPARTITEUR D. 350		10	PS-6405	SÉLECTEUR 1 ½" TOP	



ÉCLATÉ

REV.: 0

9106

DATE: 24/05/2022

PAG.: 2/2

CODE **FEC-400-VT, FEC-450-VT, FEC-500-VT, FEC-600-VT, MEC-400-VT,
MEC-450-VT, MEC-500-VT, MEC-600-VT**

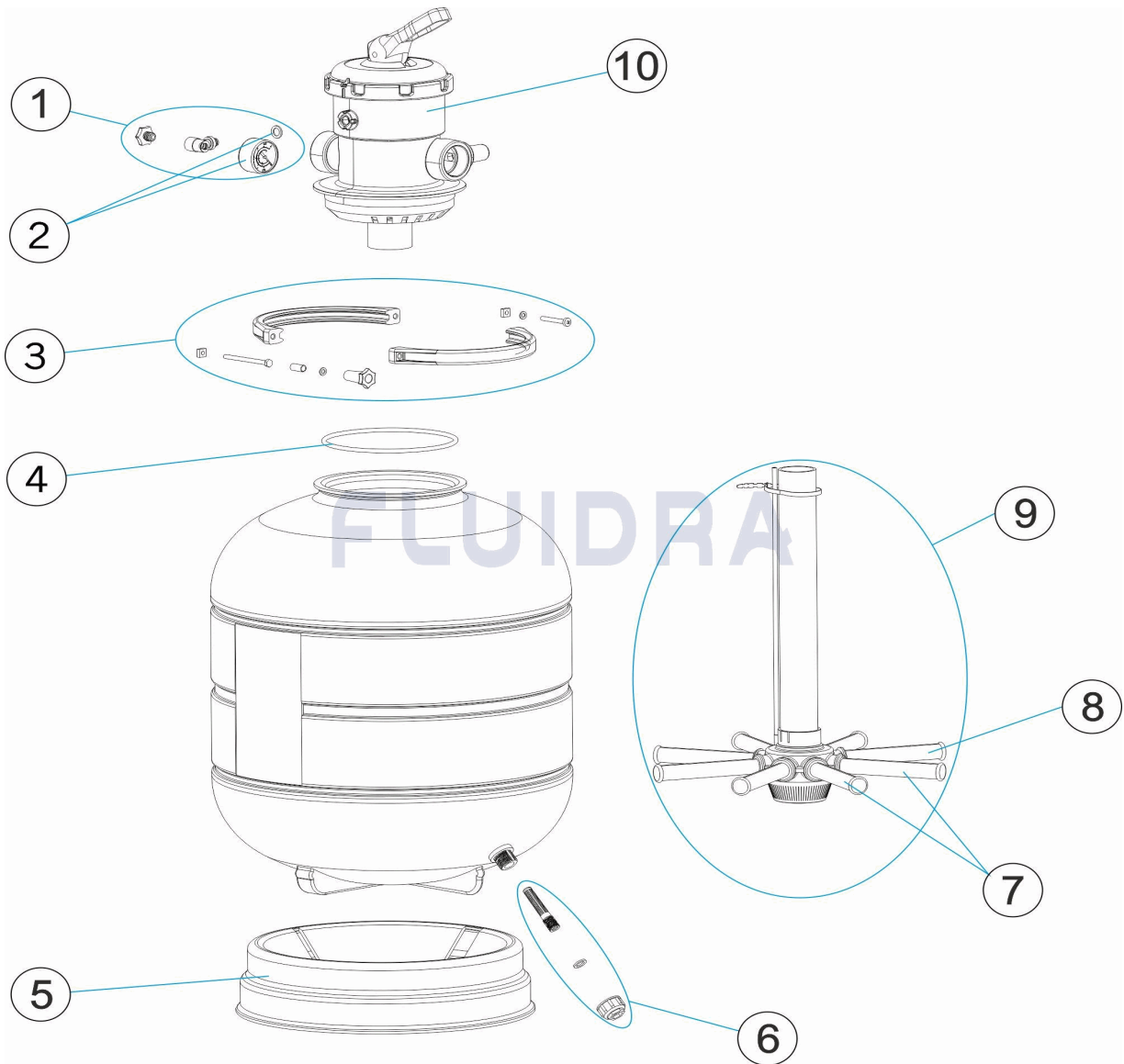
DESCRIPTION: **FILTER ROMA TOP D.400-450-500-600**

OBSERVATIONS

POS	CODE	OBSERVATIONS
5	* SP-04-0229	POUR: MEC-400-VT, MEC-450-VT
5	* SP-04-0230	POUR: MEC-500-VT, MEC-600-VT
7	* SP-04-0018	POUR: FEC-400-VT, MEC-400-VT
7	* SP-04-0029	POUR: FEC-450-VT, MEC-450-VT, FEC-500-VT, MEC-500-VT, FEC-600-VT, MEC-600-VT
8	* SP-04-0017	POUR: FEC-400-VT [4UT], MEC-400-VT [4UT]
8	* SP-04-0027	POUR: FEC-450-VT [4UT], MEC-450-VT [4UT], FEC-500-VT [4UT], MEC-500-VT [4UT], FEC-600-VT [4UT], MEC-600-VT [4UT]
9	* SP-04-0202	POUR: FEC-400-VT, MEC-400-VT
9	* SP-04-0203	POUR: FEC-450-VT, MEC-450-VT
9	* SP-04-0204	POUR: FEC-500-VT, MEC-500-VT
9	* SP-04-0205	POUR: FEC-600-VT, MEC-600-VT

CODE **FEC-400-VT, FEC-450-VT, FEC-500-VT, FEC-600-VT, MEC-400-VT, MEC-450-VT, MEC-500-VT, MEC-600-VT**

DESCRIPTION: **ROMA FILTER TOP D.400-450-500-600**



ENGLISH

POS	CODE	DESCRIPTION	QUANTITY	POS	CODE	DESCRIPTION	QUANTITY
1	SP-04-0071	COMPLETE PRESSURE GAUGE UNIT		7	* SP-04-0029	MANIFOLD ARM ASSEMBLY D. 450 - 500	
2	SP-04-0072	PRESSURE GAUGE 1/8" 3 KG./C "		8	* SP-04-0017	MANIFOLD ARM 3/4" 110 M "	
3	SP-04-0075	PLASTIC V-CLAMP SET		8	* SP-04-0027	MANIFOLD ARM 3/4" 160 M "	
4	SP-04-0074	LID 'O' RING		9	* SP-04-0202	MANIFOLD ASSEMBLY D. 400 TOP	
5	* SP-04-0229	FILTER BASE D. 400		9	* SP-04-0203	MANIFOLD ASSEMBLY D. 450 TOP	
5	* SP-04-0230	FILTER BASE D.500		9	* SP-04-0204	MANIFOLD ASSEMBLY D. 500 TOP	
6	SP-04-0118	SAND PURGE		9	* SP-04-0205	MANIFOLD ASSEMBLY D. 600 TOP	
7	* SP-04-0018	MANIFOLD ARM ASSEMBLY D. 350		10	PS-6405	MULTIPOINT VALVE 1/2" TOP	



PARTS BREAKDOWN

REV.: 0
DATE: 24/05/2022
SHEET: 2/2

9106

CODE **FEC-400-VT, FEC-450-VT, FEC-500-VT, FEC-600-VT, MEC-400-VT,
MEC-450-VT, MEC-500-VT, MEC-600-VT**

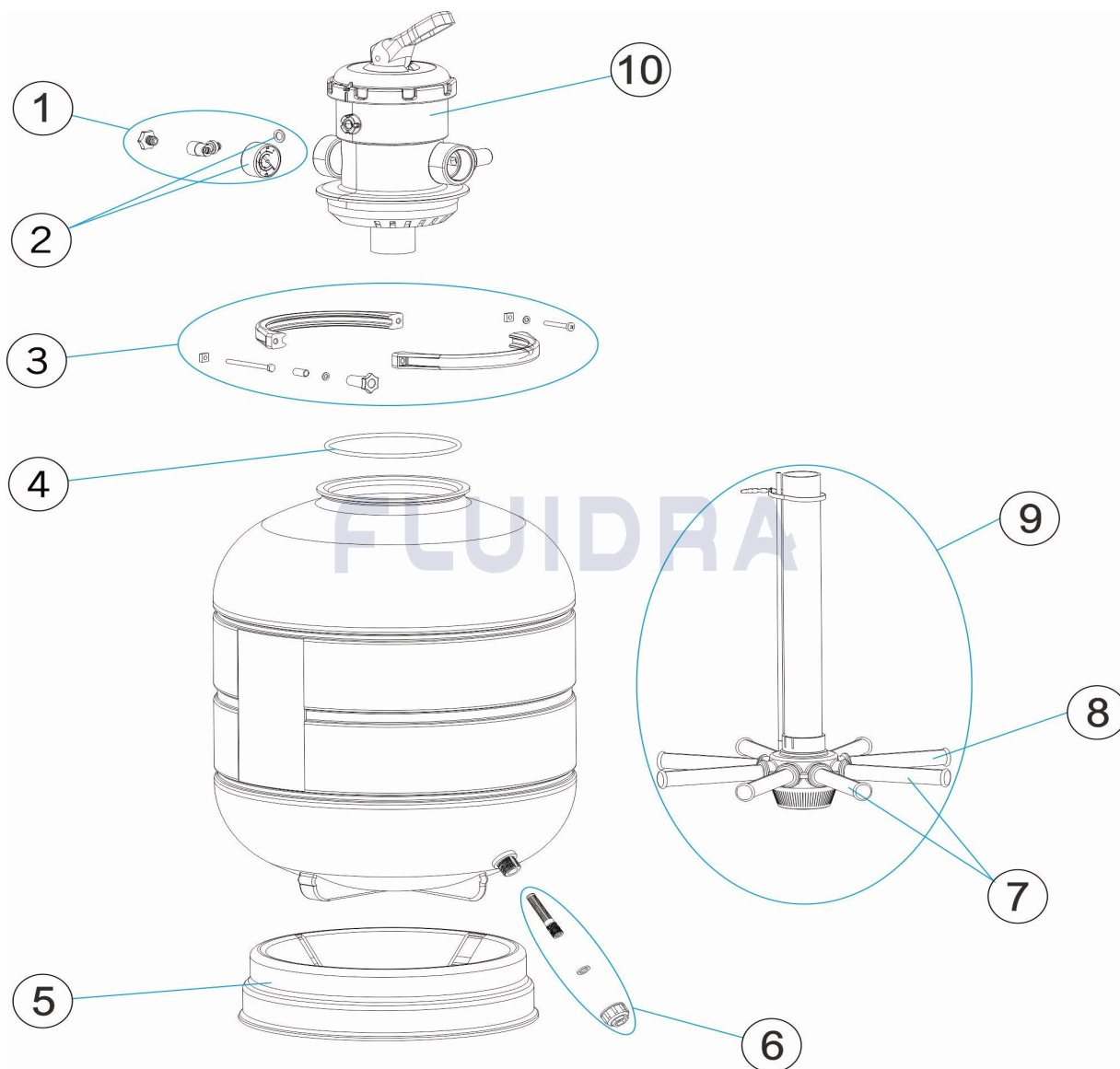
DESCRIPTION: **ROMA FILTER TOP D.400-450-500-600**

OBSERVATIONS

POS	CODE	OBSERVATIONS
5	* SP-04-0229	FOR: MEC-400-VT, MEC-450-VT
5	* SP-04-0230	FOR: MEC-500-VT, MEC-600-VT
7	* SP-04-0018	FOR: FEC-400-VT, MEC-400-VT
7	* SP-04-0029	FOR: FEC-450-VT, MEC-450-VT, FEC-500-VT, MEC-500-VT, FEC-600-VT, MEC-600-VT
8	* SP-04-0017	FOR: FEC-400-VT [4UT], MEC-400-VT [4UT]
8	* SP-04-0027	FOR: FEC-450-VT [4UT], MEC-450-VT [4UT], FEC-500-VT [4UT], MEC-500-VT [4UT], FEC-600-VT [4UT], MEC-600-VT [4UT]
9	* SP-04-0202	FOR: FEC-400-VT, MEC-400-VT
9	* SP-04-0203	FOR: FEC-450-VT, MEC-450-VT
9	* SP-04-0204	FOR: FEC-500-VT, MEC-500-VT
9	* SP-04-0205	FOR: FEC-600-VT, MEC-600-VT

CODICE **FEC-400-VT, FEC-450-VT, FEC-500-VT, FEC-600-VT, MEC-400-VT, MEC-450-VT, MEC-500-VT, MEC-600-VT**

DESCRIZIONE: **FILTRO ROMA TOP D.400-450-500-600**



ITALIANO

POS	CODICE	DESCRIZIONE	QUANTITA'	POS	CODICE	DESCRIZIONE	QUANTITA'
1	SP-04-0071	MANOMETRO COMPLETO		7	* SP-04-0029	GRUPPO CANDELOTTO COLLECTORE D. 4	
2	SP-04-0072	MANOMETRO 1/8" 3 KG./C "		8	* SP-04-0017	CANDELOTTO COLLECTORE 3/4" 110M "	
3	SP-04-0075	INSIEME FASCIA IN PLASTICA		8	* SP-04-0027	CANDELOTTO COLLECTORE 3/4" 160M "	
4	SP-04-0074	O-RING COPERCHIO		9	* SP-04-0202	KIT COLLETTORE D. 400 TOP	
5	* SP-04-0229	BASE FILTRO D.400		9	* SP-04-0203	KIT COLLETTORE D. 450 TOP	
5	* SP-04-0230	BASE FILTRO D.500		9	* SP-04-0204	KIT COLLETTORE D. 500 TOP	
6	SP-04-0118	SCARICO SABBIA		9	* SP-04-0205	KIT COLLETTORE D. 600 TOP	
7	* SP-04-0018	GRUPPO CANDELOTTO COLLECTORE D. 4		10	PS-6405	VALVOLA SELETTICE 1 1/2" TOP	



ESPLOSO

REV.: 0

9106

DATA: 24/05/2022

PAG.: 2/2

CODICE **FEC-400-VT, FEC-450-VT, FEC-500-VT, FEC-600-VT, MEC-400-VT,
MEC-450-VT, MEC-500-VT, MEC-600-VT**

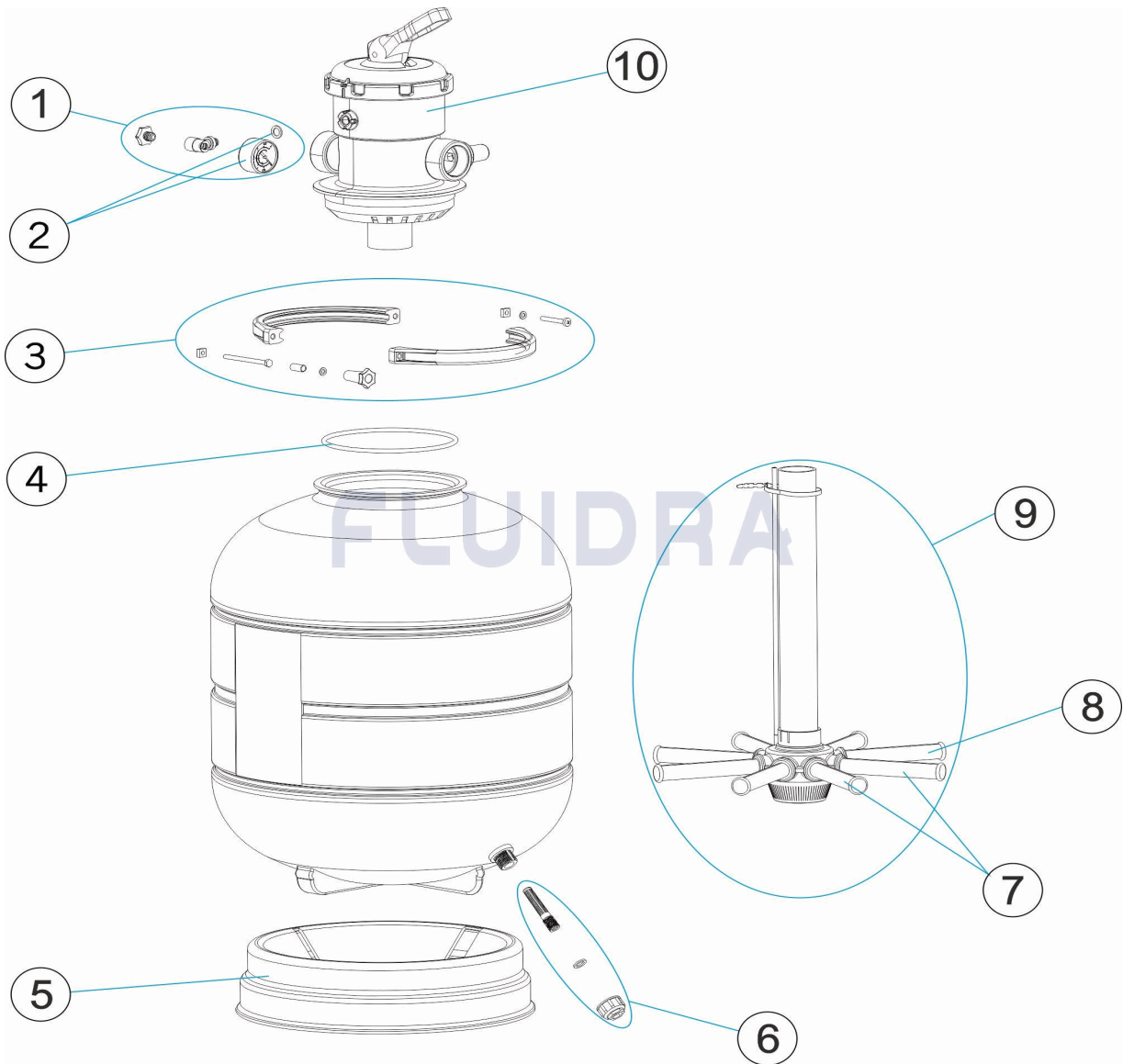
DESCRIZIONE: FILTRO ROMA TOP D.400-450-500-600

OSSERVAZIONI

POS	CODICE	OSSERVAZIONI
5	* SP-04-0229	PER: MEC-400-VT, MEC-450-VT
5	* SP-04-0230	PER: MEC-500-VT, MEC-600-VT
7	* SP-04-0018	PER: FEC-400-VT, MEC-400-VT
7	* SP-04-0029	PER: FEC-450-VT, MEC-450-VT, FEC-500-VT, MEC-500-VT, FEC-600-VT, MEC-600-VT
8	* SP-04-0017	PER: FEC-400-VT [4UT], MEC-400-VT [4UT]
8	* SP-04-0027	PER: FEC-450-VT [4UT], MEC-450-VT [4UT], FEC-500-VT [4UT], MEC-500-VT [4UT], FEC-600-VT [4UT], MEC-600-VT [4UT]
9	* SP-04-0202	PER: FEC-400-VT, MEC-400-VT
9	* SP-04-0203	PER: FEC-450-VT, MEC-450-VT
9	* SP-04-0204	PER: FEC-500-VT, MEC-500-VT
9	* SP-04-0205	PER: FEC-600-VT, MEC-600-VT

CODE **FEC-400-VT, FEC-450-VT, FEC-500-VT, FEC-600-VT, MEC-400-VT, MEC-450-VT, MEC-500-VT, MEC-600-VT**

BESCHREIBUNG: **FILTER ROMA TOP D.400-450-500-600**



DEUTSCH

POS	CODE	BESCHREIBUNG	MENGE	POS	CODE	BESCHREIBUNG	MENGE
1	SP-04-0071	MANOMETER KOMPLETT		7	* SP-04-0029	SET FILTERSTERN-SCHLITZROHR D. 450 - :	
2	SP-04-0072	MANOMETER 1/8" 3 KG/C "		8	* SP-04-0017	FILTERSTERN-SCHLITZROHR 3/4" 110M "	
3	SP-04-0075	EINSATZ KUNSTSTOFF		8	* SP-04-0027	FILTERSTERN-SCHLITZROHR 3/4" 160 M "	
4	SP-04-0074	O-RING ABDECKUNG		9	* SP-04-0202	SAMMELROHRSET D. 400 TOP	
5	* SP-04-0229	FILTERFUSS D. 400		9	* SP-04-0203	SAMMELROHRSET D. 450 TOP	
5	* SP-04-0230	FILTERFUSS D.500		9	* SP-04-0204	SAMMELROHRSET D. 500 TOP	
6	SP-04-0118	SANDENTLEERUNG		9	* SP-04-0205	SAMMELROHRSET D. 600 TOP	
7	* SP-04-0018	SET FILTERSTERN-SCHLITZROHR D. 350 -		10	PS-6405	MEHRWEGVENTIL 1 1/2" TOP	



EINZELTEILE

ÜBER.: 0

9106

DATUM: 24/05/2022

BLATT: 2/2

CODE **FEC-400-VT, FEC-450-VT, FEC-500-VT, FEC-600-VT, MEC-400-VT,
MEC-450-VT, MEC-500-VT, MEC-600-VT**

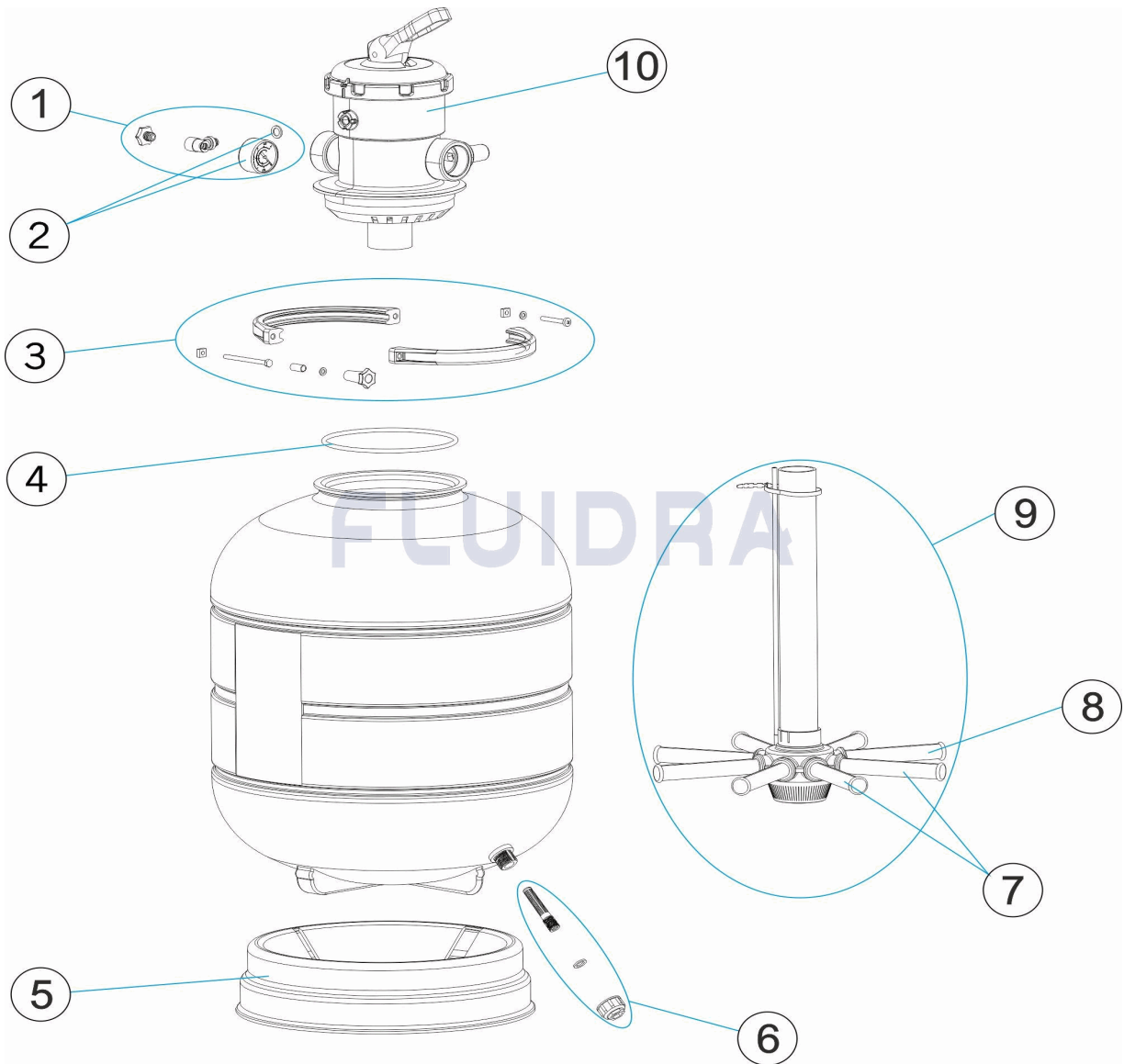
BESCHREIBUNG: **FILTER ROMA TOP D.400-450-500-600**

HINWEISE

POS	CODE	HINWEISE
5	* SP-04-0229	FÜR: MEC-400-VT, MEC-450-VT
5	* SP-04-0230	FÜR: MEC-500-VT, MEC-600-VT
7	* SP-04-0018	FÜR: FEC-400-VT, MEC-400-VT
7	* SP-04-0029	FÜR: FEC-450-VT, MEC-450-VT, FEC-500-VT, MEC-500-VT, FEC-600-VT, MEC-600-VT
8	* SP-04-0017	FÜR: FEC-400-VT [4UT], MEC-400-VT [4UT]
8	* SP-04-0027	FÜR: FEC-450-VT [4UT], MEC-450-VT [4UT], FEC-500-VT [4UT], MEC-500-VT [4UT], FEC-600-VT [4UT], MEC-600-VT [4UT]
9	* SP-04-0202	FÜR: FEC-400-VT, MEC-400-VT
9	* SP-04-0203	FÜR: FEC-450-VT, MEC-450-VT
9	* SP-04-0204	FÜR: FEC-500-VT, MEC-500-VT
9	* SP-04-0205	FÜR: FEC-600-VT, MEC-600-VT

CODIGO **FEC-400-VT, FEC-450-VT, FEC-500-VT, FEC-600-VT, MEC-400-VT, MEC-450-VT, MEC-500-VT, MEC-600-VT**

DESCRIÇÃO: **FILTRO ROMA TOP D.400-450-500-600**



PORTUGUES

POS	CODIGO	DESCRIÇÃO	JANTIDADE	POS	CODIGO	DESCRIÇÃO	JANTIDADE
1	SP-04-0071	MANÓMETRO COMPLETO		7	* SP-04-0029	CJTO. BRAÇO COLECTOR D. 450 - 500	
2	SP-04-0072	MANOMETRO 1/8" 3 KG./C "		8	* SP-04-0017	BRAÇO COLECTOR 3/4" 110M "	
3	SP-04-0075	CONJUNTO ABRAÇADERA DE PLASTICO		8	* SP-04-0027	BRAÇO COLECTOR 3/4" 160M "	
4	SP-04-0074	JUNTA TÓRICA TAMPA		9	* SP-04-0202	CJTO. COLECTOR D. 400 TOP	
5	* SP-04-0229	PÉ FILTRO D.400		9	* SP-04-0203	CJTO. COLECTOR D. 450 TOP	
5	* SP-04-0230	PÉ FILTRO D.500		9	* SP-04-0204	CJTO. COLECTOR D. 500 TOP	
6	SP-04-0118	PURGA AREIA		9	* SP-04-0205	CJTO. COLECTOR D. 600 TOP	
7	* SP-04-0018	CJTO. BRAÇO COLECTOR D. 350		10	PS-6405	VÁLVULA SELECTORA 1 ½" TOP	

CODIGO **FEC-400-VT, FEC-450-VT, FEC-500-VT, FEC-600-VT, MEC-400-VT,
MEC-450-VT, MEC-500-VT, MEC-600-VT**

DESCRIÇÃO: FILTRO ROMA TOP D.400-450-500-600

OBSERVAÇÕES

POS	CODIGO	OBSERVAÇÕES
5	* SP-04-0229	PARA: MEC-400-VT, MEC-450-VT
5	* SP-04-0230	PARA: MEC-500-VT, MEC-600-VT
7	* SP-04-0018	PARA: FEC-400-VT, MEC-400-VT
7	* SP-04-0029	PARA: FEC-450-VT, MEC-450-VT, FEC-500-VT, MEC-500-VT, FEC-600-VT, MEC-600-VT
8	* SP-04-0017	PARA: FEC-400-VT [4UT], MEC-400-VT [4UT]
8	* SP-04-0027	PARA: FEC-450-VT [4UT], MEC-450-VT [4UT], FEC-500-VT [4UT], MEC-500-VT [4UT], FEC-600-VT [4UT], MEC-600-VT [4UT]
9	* SP-04-0202	PARA: FEC-400-VT, MEC-400-VT
9	* SP-04-0203	PARA: FEC-450-VT, MEC-450-VT
9	* SP-04-0204	PARA: FEC-500-VT, MEC-500-VT
9	* SP-04-0205	PARA: FEC-600-VT, MEC-600-VT