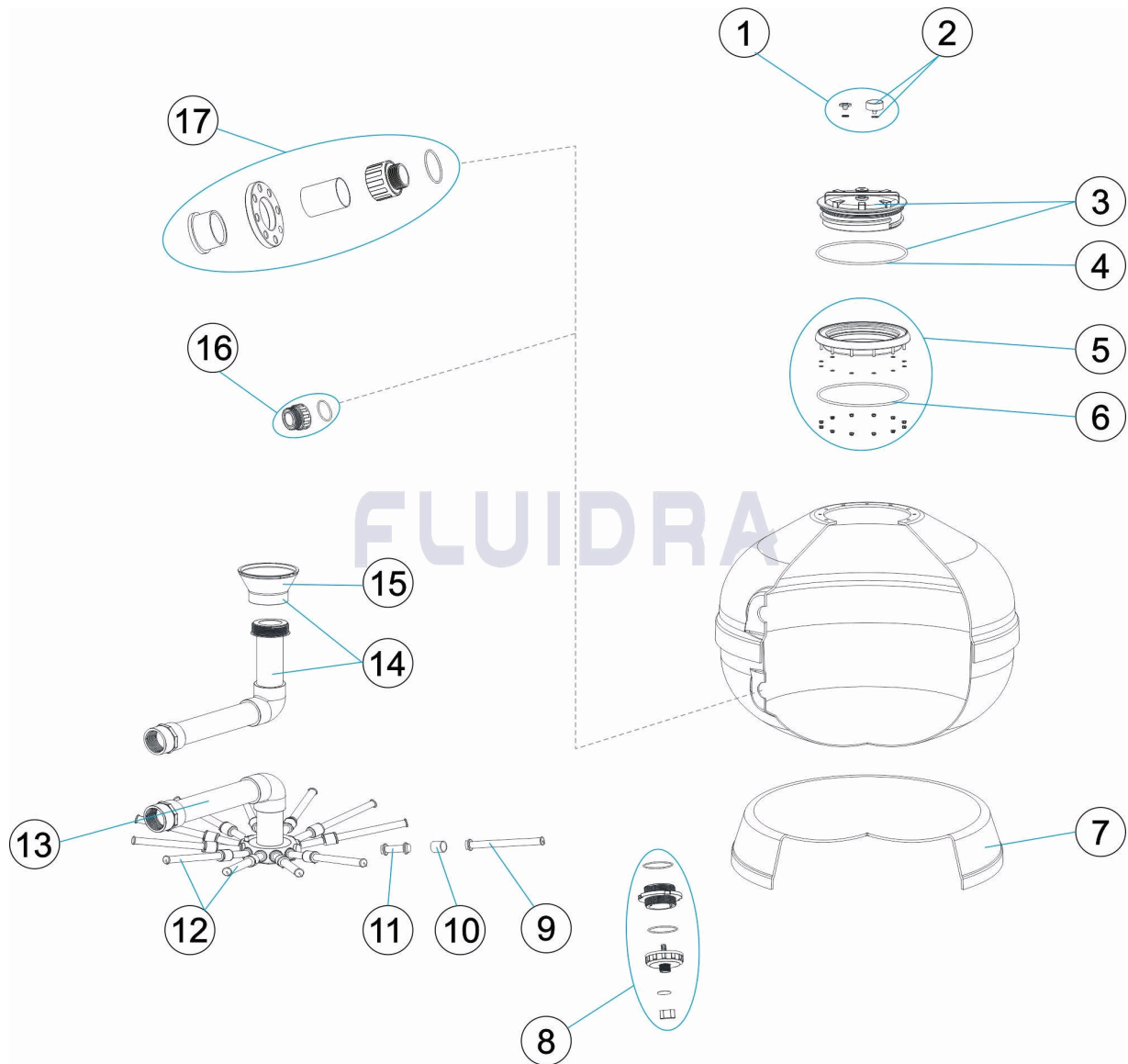


CODIGO VFS-1050, VFS-1050-S, VFS-1200

DESCRIPCION: FILTROS TEIDE SEMI-INDUSTRIAL TAPA 250


ESPAÑOL

POS	CODIGO	DESCRIPCION	CANTIDAD	POS	CODIGO	DESCRIPCION	CANTIDAD
1	SP-04-0512	CJTO. MANOMETRO 1/8"		11	SP-04-0145	BRAZO COLECTOR 1" 100 M "	
2	SP-04-0072	MANOMETRO 1/8" 3 KG/C "		12	SP-04-0316	CJTO. BRAZOS COLECTOR D.1200	
3	SP-04-0513	TAPA FILTRO		13	* SP-04-0506	CJTO. COLECTOR D. 1050	
4	SP-04-0514	JUNTA TAPA		13	* SP-04-0507	CJTO. COLECTOR D. 1050	
5	SP-04-0515	ARO TAPA COMPLETO		13	* SP-04-0508	CONJ. COLECTOR D. 1200	
6	SP-04-0134	JUNTA TORICA 255X4		14	* SP-04-0509	CJTO. DIFUSOR D. 1050	
7	* SP-04-0504	PIE FILTRO D.1050		14	* SP-04-0510	CJTO. DIFUSOR D. 1050	
7	* SP-04-0505	PIE FILTRO D.1200		14	* SP-04-0511	CONJ. DIFUSOR D. 1200	
8	SP-04-0439	DESCARGA ARENA-AGUA		15	SP-04-0181	CONO DIFUSOR D. 63	
9	SP-04-0150	BRAZO COLECTOR 1" 265 M "		16	SP-04-0315	CJTO. SALIDA D. 90 - 3"	
10	SP-04-0146	MANGUITO ENLACE UNION 1"		17	SP-04-0144	RACOR SALIDA 2 1/2" + JUNTA TORIC "	



DESPIECE

REV: 0

9175

FECHA: 13/06/2022

HOJA: 2/2

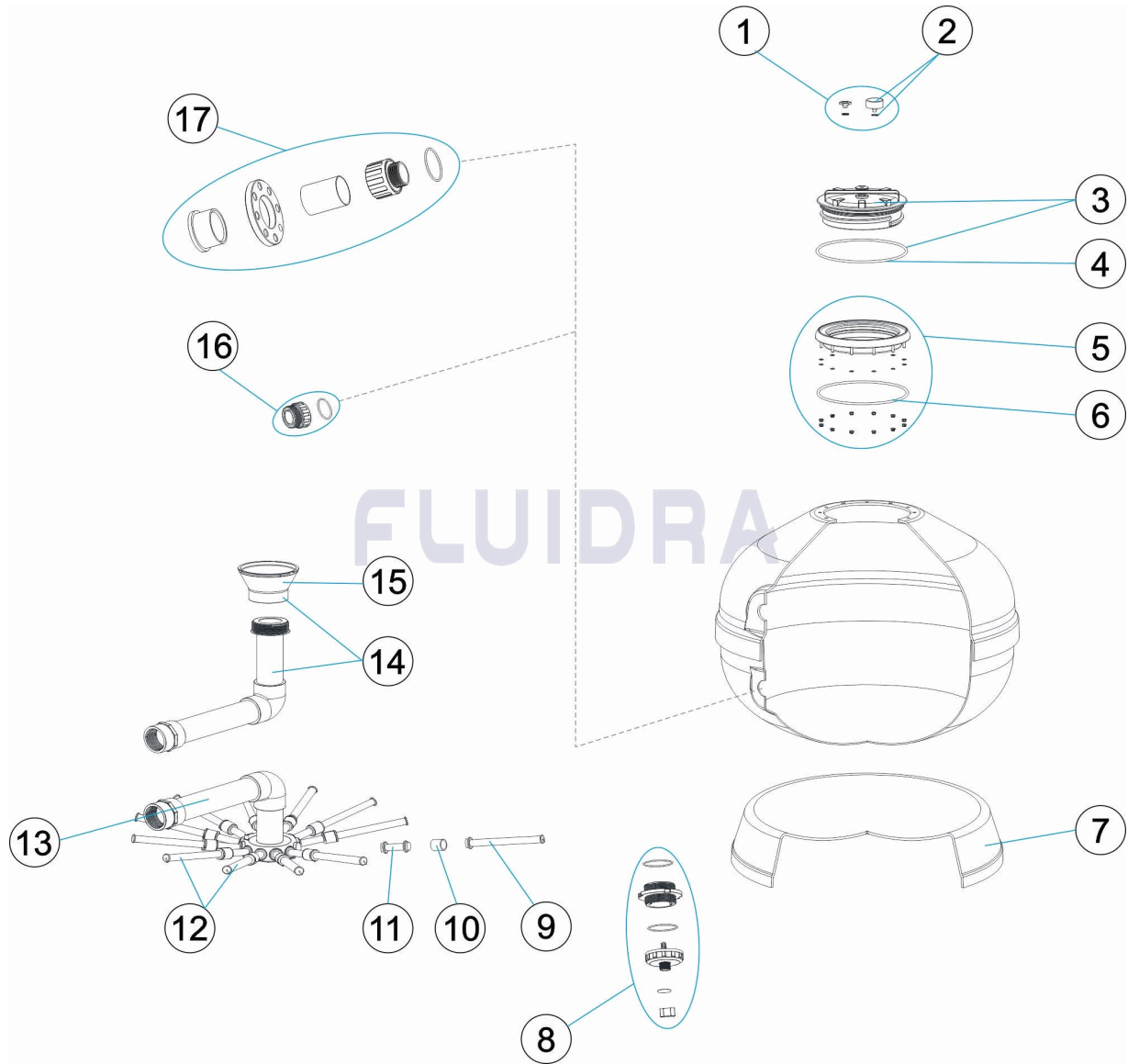
CODIGO **VFS-1050, VFS-1050-S, VFS-1200**DESCRIPCION: **FILTROS TEIDE SEMI-INDUSTRIAL TAPA 250**

OBSERVACIONES

POS	CODIGO	OBSERVACIONES
7	* SP-04-0504	PARA: VFS-1050, VFS-1050-S
7	* SP-04-0505	PARA: VFS-1200
13	* SP-04-0506	PARA: VFS-1050
13	* SP-04-0507	PARA: VFS-1050-S
13	* SP-04-0508	PARA: VFS-1200
14	* SP-04-0509	PARA: VFS-1050
14	* SP-04-0510	PARA: VFS-1050-S
14	* SP-04-0511	PARA: VFS-1200

CODE VFS-1050, VFS-1050-S, VFS-1200

DESCRIPTION: FILTRES TEIDE SEMI-INDUSTRIELS COUVERTURE 250


FRANCAIS

POS	CODE	DESCRIPTION	QUANTITE	POS	CODE	DESCRIPTION	QUANTITE
1	SP-04-0512	ENSEMBLE DE MANOMETRE 1/8"		11	SP-04-0145	BRAS DE REPARTITEUR 1" 100M "	
2	SP-04-0072	MANOMETRE 1/8" 3 KG./C "		12	SP-04-0316	ENSEMBLE BRAS DE REPARTITEUR D. 120	
3	SP-04-0513	COUVERCLE DE FILTRE		13	* SP-04-0506	ENSEMBLE COLLECTEUR D. 1050	
4	SP-04-0514	JOINT DE COUVERCLE		13	* SP-04-0507	ENSEMBLE COLLECTEUR D. 1050	
5	SP-04-0515	BRIDE DE COUVERCLE COMPLETE		13	* SP-04-0508	ENSEMBLE COLLECTEUR D. 1200	
6	SP-04-0134	JOINT TORIQUE 255X4		14	* SP-04-0509	ENSEMBLE DIFFUSEUR D. 1050	
7	* SP-04-0504	SOCLE FILTRE D.1050		14	* SP-04-0510	ENSEMBLE DIFFUSEUR D. 1050	
7	* SP-04-0505	SOCLE FILTRE D.1200		14	* SP-04-0511	ENSEMBLE DIFFUSEUR D. 1200	
8	SP-04-0439	DÉCHARGE DE SABLE - EAU		15	SP-04-0181	DIFUSOR CONIQUE SUPÉRIOR D. 63	
9	SP-04-0150	BRAS DE REPARTITEUR 1" 265 M/M "		16	SP-04-0315	ENSEMBLE SORTIE D. 90 - 3"	
10	SP-04-0146	MANCHON UNION 1"		17	SP-04-0144	RACCOR SORTIE 2 1/2" + JOINT TORIQU "	



ÉCLATÉ

REV.: 0

9175

DATE: 13/06/2022

PAG.: 2/2

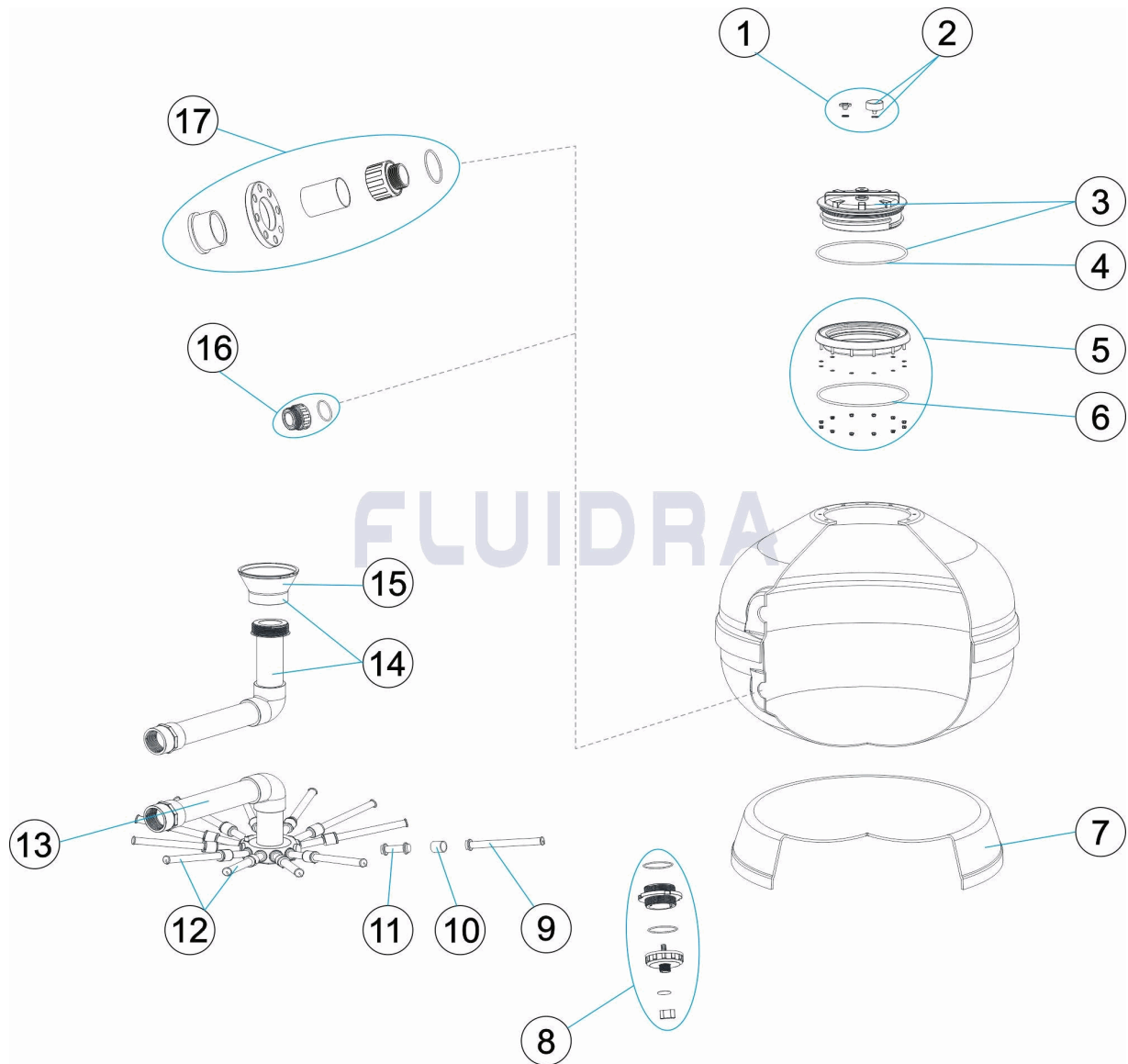
CODE **VFS-1050, VFS-1050-S, VFS-1200**DESCRIPTION: **FILTRES TEIDE SEMI-INDUSTRIELS COUVERTURE 250**

OBSERVATIONS

POS	CODE	OBSERVATIONS
7	* SP-04-0504	POUR: VFS-1050, VFS-1050-S
7	* SP-04-0505	POUR: VFS-1200
13	* SP-04-0506	POUR: VFS-1050
13	* SP-04-0507	POUR: VFS-1050-S
13	* SP-04-0508	POUR: VFS-1200
14	* SP-04-0509	POUR: VFS-1050
14	* SP-04-0510	POUR: VFS-1050-S
14	* SP-04-0511	POUR: VFS-1200

CODE VFS-1050, VFS-1050-S, VFS-1200

DESCRIPTION: SEMI-INDUSTRIAL TEIDE FILTERS COVER 250


ENGLISH

POS	CODE	DESCRIPTION	QUANTITY	POS	CODE	DESCRIPTION	QUANTITY
1	SP-04-0512	PRESSURE GAUGE ASSEMBLY 1/8"		11	SP-04-0145	MANIFOLD ARM 1" 100 M "	
2	SP-04-0072	PRESSURE GAUGE 1/8" 3 KG./C "		12	SP-04-0316	MANIFOLD ARM ASSEMBLY D. 1200	
3	SP-04-0513	FILTER LID		13	* SP-04-0506	MANIFOLD ASSEMBLY D. 1050	
4	SP-04-0514	LID GASKET		13	* SP-04-0507	MANIFOLD ASSEMBLY D. 1050	
5	SP-04-0515	LID RING UNIT		13	* SP-04-0508	MANIFOLD ASSEMBLY D. 1200	
6	SP-04-0134	O' RING 255X4		14	* SP-04-0509	DIFFUSER ASSEMBLY D. 1050	
7	* SP-04-0504	FILTER BASE D.1050		14	* SP-04-0510	DIFFUSER ASSEMBLY D. 1050	
7	* SP-04-0505	FILTER BASE D.1200		14	* SP-04-0511	DIFFUSER ASSEMBLY D. 1200	
8	SP-04-0439	SAND - WATER UNLOAD		15	SP-04-0181	DIFFUSER CONE D. 63	
9	SP-04-0150	COLLECTOR ARM 1" 265 M "		16	SP-04-0315	D. 90 - 3" OUTLET ASSEMBL "	
10	SP-04-0146	UNION 1"		17	SP-04-0144	OUTLETUNION 2 1/2" + O-RIN "	



PARTS BREAKDOWN

REV.: 0

9175

DATE: 13/06/2022

SHEET: 2/2

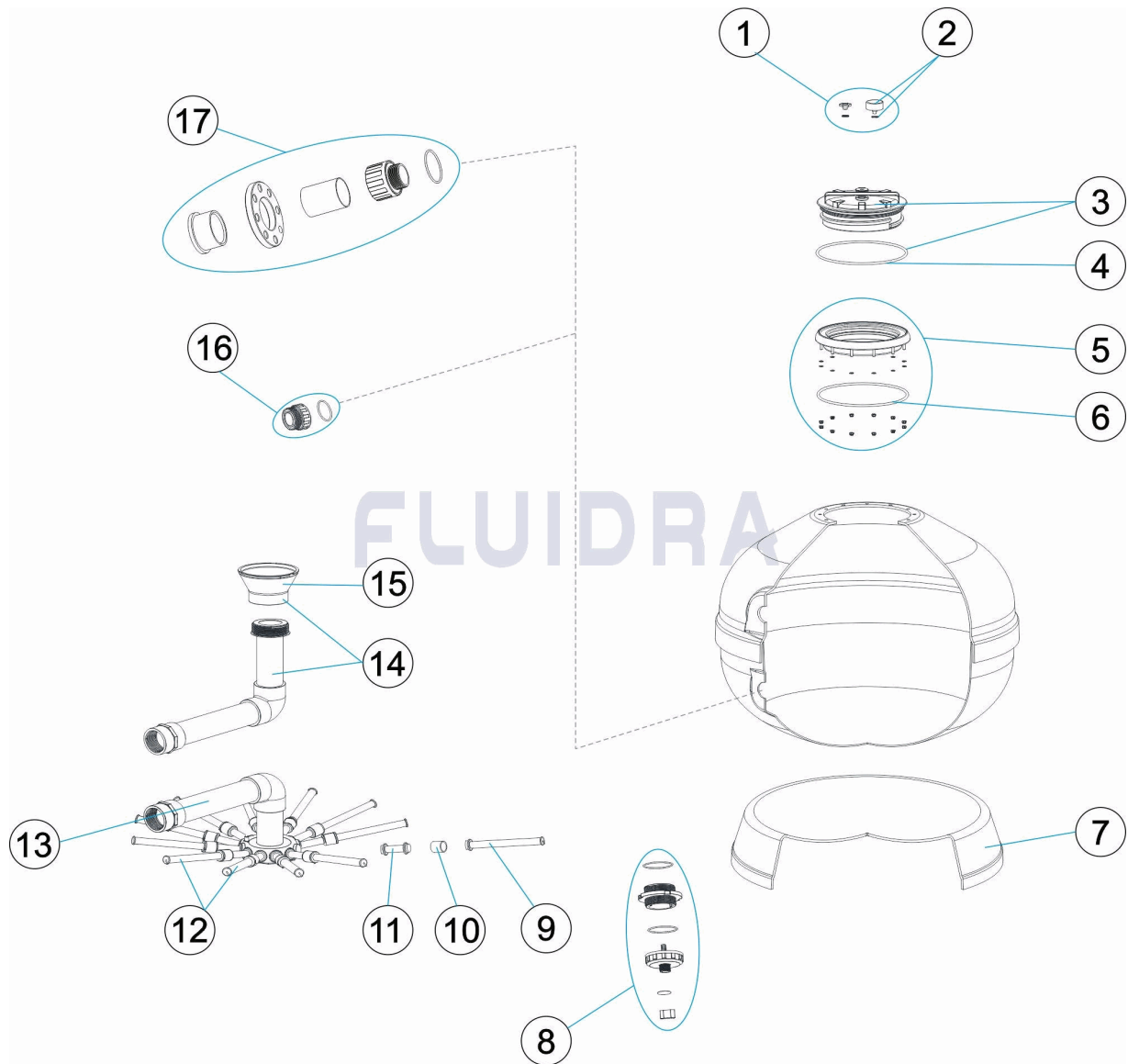
CODE **VFS-1050, VFS-1050-S, VFS-1200**DESCRIPTION: **SEMI-INDUSTRIAL TEIDE FILTERS COVER 250**

OBSERVATIONS

POS	CODE	OBSERVATIONS
7	* SP-04-0504	FOR: VFS-1050, VFS-1050-S
7	* SP-04-0505	FOR: VFS-1200
13	* SP-04-0506	FOR: VFS-1050
13	* SP-04-0507	FOR: VFS-1050-S
13	* SP-04-0508	FOR: VFS-1200
14	* SP-04-0509	FOR: VFS-1050
14	* SP-04-0510	FOR: VFS-1050-S
14	* SP-04-0511	FOR: VFS-1200

CODICE VFS-1050, VFS-1050-S, VFS-1200

DESCRIZIONE: FILTRI TEIDE SEMI-INDUSTRIALE COPERTURA 250


ITALIANO

POS	CODICE	DESCRIZIONE	QUANTITA'	POS	CODICE	DESCRIZIONE	QUANTITA'
1	SP-04-0512	KIT MANOMETRO 1/8"		11	SP-04-0145	CANDELOTTO COLLECTORE 1" 100M "	
2	SP-04-0072	MANOMETRO 1/8" 3 KG./C "		12	SP-04-0316	GRUPPO CANDELOTTO COLLECTORE D. 1	
3	SP-04-0513	COPERCHIO FILTRO		13	* SP-04-0506	KIT COLLETTORE D. 1050	
4	SP-04-0514	GUARNIZIONE COPERCHIO		13	* SP-04-0507	KIT COLLETTORE D. 1050	
5	SP-04-0515	FLANGIA COPERCHIO COMPLETO		13	* SP-04-0508	KIT COLLETTORE D. 1200	
6	SP-04-0134	O-RING 255X4		14	* SP-04-0509	RACCORDO DIFFUSORE D. 1050	
7	* SP-04-0504	BASE FILTRO D.1050		14	* SP-04-0510	RACCORDO DIFFUSORE D. 1050	
7	* SP-04-0505	BASE FILTRO D.1200		14	* SP-04-0511	RACCORDO DIFFUSORE D. 1200	
8	SP-04-0439	SCARICA SABBIA - ACQUA		15	SP-04-0181	CONO DIFFUSORE D. 63	
9	SP-04-0150	CANDELOTTO 1" 265 M/M "		16	SP-04-0315	GRUPPO USCITA D. 90 - 3"	
10	SP-04-0146	MANICOTTO DA 1" PER CANDELOTT "		17	SP-04-0144	RACCORDO USCITA 2 1/2" + O-RIN "	

CODICE **VFS-1050, VFS-1050-S, VFS-1200**

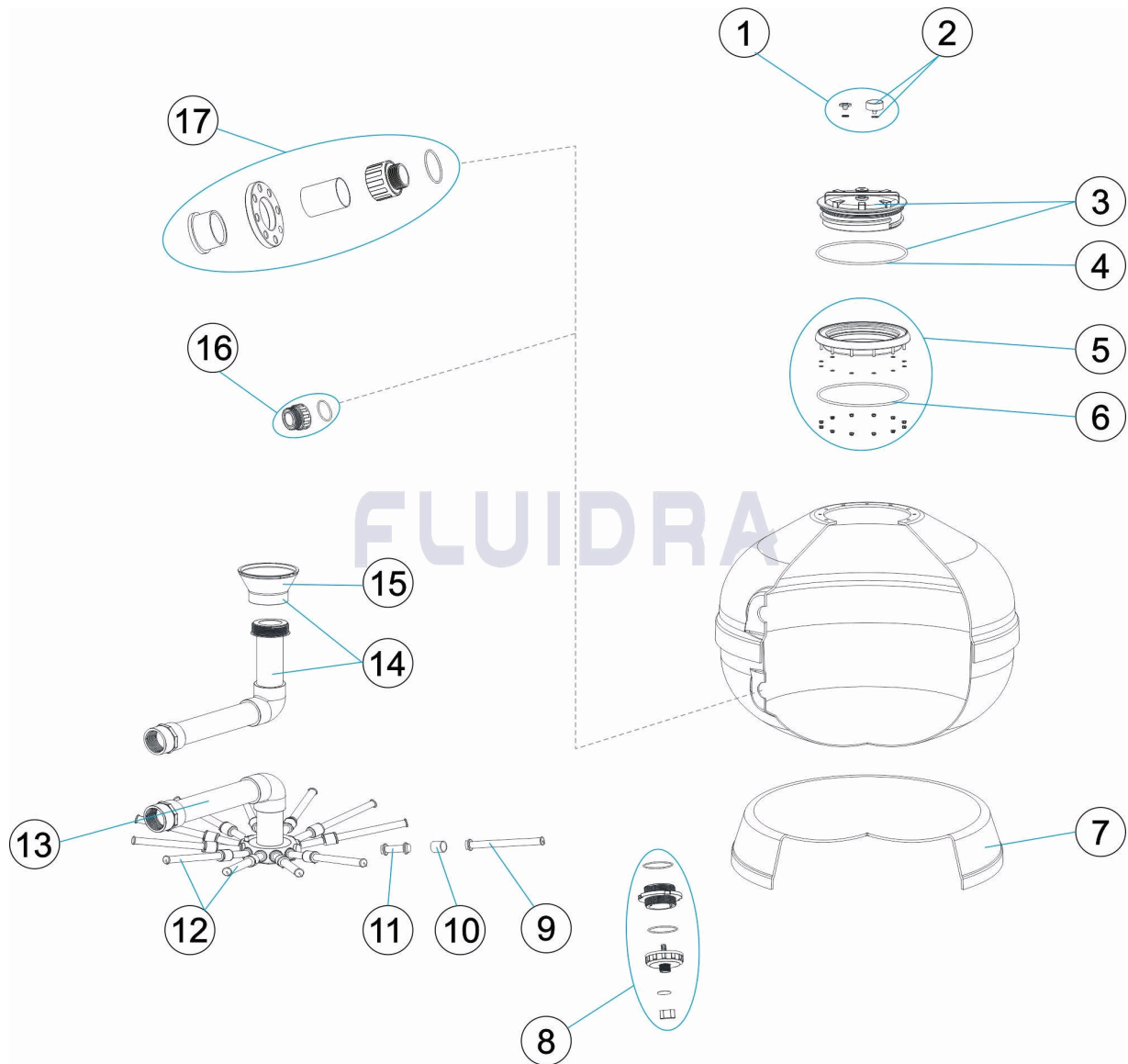
DESCRIZIONE: **FILTRI TEIDE SEMI-INDUSTRIALE COPERTURA 250**

OSSERVAZIONI

POS	CODICE	OSSERVAZIONI
7	* SP-04-0504	PER: VFS-1050, VFS-1050-S
7	* SP-04-0505	PER: VFS-1200
13	* SP-04-0506	PER: VFS-1050
13	* SP-04-0507	PER: VFS-1050-S
13	* SP-04-0508	PER: VFS-1200
14	* SP-04-0509	PER: VFS-1050
14	* SP-04-0510	PER: VFS-1050-S
14	* SP-04-0511	PER: VFS-1200

CODE VFS-1050, VFS-1050-S, VFS-1200

BESCHREIBUNG: FILTER TEIDE HALBINDUSTRIELLE ABDECKUNG 250


DEUTSCH

POS	CODE	BESCHREIBUNG	MENGE	POS	CODE	BESCHREIBUNG	MENGE
1	SP-04-0512	SET MANOMETER 1/8"		11	SP-04-0145	FILTERSTERN-SCHLITZROHR 1" 100 M "	
2	SP-04-0072	MANOMETER 1/8" 3 KG/C "		12	SP-04-0316	SET FILTERSTERN-SCHLITZROHR D. 1200	
3	SP-04-0513	FILTERDECKEL		13	* SP-04-0506	SAMMELROHRSET D. 1050	
4	SP-04-0514	DICHTUNG ABDECKUNG		13	* SP-04-0507	SAMMELROHRSET D. 1050	
5	SP-04-0515	RING ABDECKUNG KOMPLETT		13	* SP-04-0508	SET SAMMELROHR D. 1200	
6	SP-04-0134	O-RING 255 X 4		14	* SP-04-0509	SET WASSERVERTEILER D. 1050	
7	* SP-04-0504	FILTERFUSS D.1050		14	* SP-04-0510	SET WASSERVERTEILER D. 1050	
7	* SP-04-0505	FILTERFUSS D.1200		14	* SP-04-0511	SET WASSERVERTEILER D. 1200	
8	SP-04-0439	SANDAUSLASS - ABLASS		15	SP-04-0181	KEGEL WASSERVERTEILER D. 63	
9	SP-04-0150	FILTERSTERN-SCHLITZROHR 1" 265 M "		16	SP-04-0315	SET AUSGANG D. 90 - 3"	
10	SP-04-0146	NIPPEL ANSCHLUSSVERBINDUNG 1"		17	SP-04-0144	GEWINDESTÜCK AUSGANG 2 1/2" UND O-F	



EINZELTEILE

ÜBER.: 0

9175

DATUM: 13/06/2022

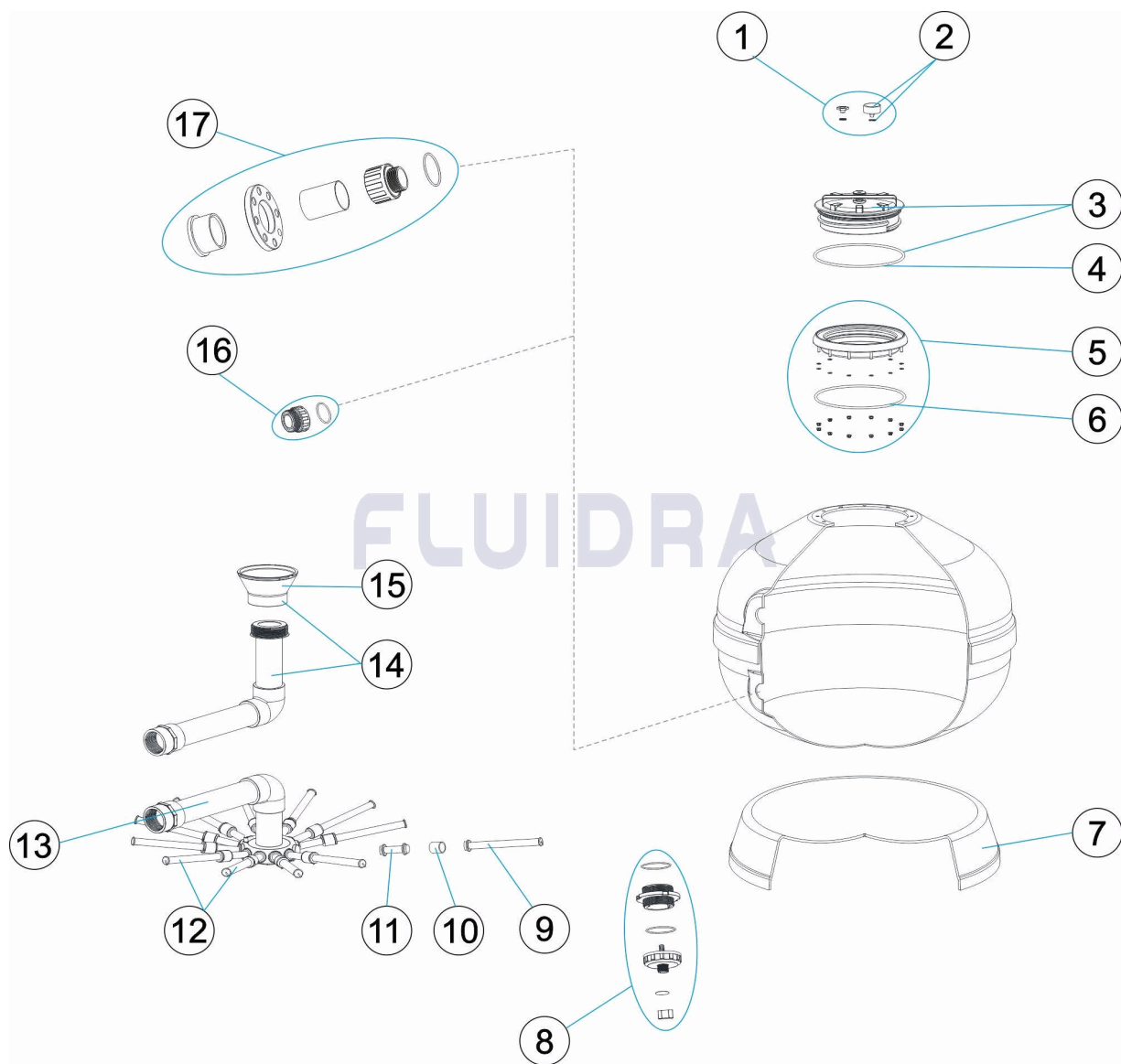
BLATT: 2/2

CODE **VFS-1050, VFS-1050-S, VFS-1200**BESCHREIBUNG: **FILTER TEIDE HALBINDUSTRIELLE ABDECKUNG 250**

HINWEISE

POS	CODE	HINWEISE
7	* SP-04-0504	FÜR: VFS-1050, VFS-1050-S
7	* SP-04-0505	FÜR: VFS-1200
13	* SP-04-0506	FÜR: VFS-1050
13	* SP-04-0507	FÜR: VFS-1050-S
13	* SP-04-0508	FÜR: VFS-1200
14	* SP-04-0509	FÜR: VFS-1050
14	* SP-04-0510	FÜR: VFS-1050-S
14	* SP-04-0511	FÜR: VFS-1200

CODIGO **VFS-1050, VFS-1050-S, VFS-1200**

 DESCRIÇÃO: **FILTROS TEIDE SEMI-INDUSTRIAL TAMPA 250**


PORTUGUES

POS	CODIGO	DESCRIÇÃO	JANTIDADE	POS	CODIGO	DESCRIÇÃO	JANTIDADE
1	SP-04-0512	CONJUNTO MANOMETRO 1/8"		11	SP-04-0145	BRAÇO COLECTOR 1" 100M "	
2	SP-04-0072	MANOMETRO 1/8" 3 KG./C "		12	SP-04-0316	CJTO. BRAÇO COLECTOR D.1200	
3	SP-04-0513	TAMPA FILTRO		13	* SP-04-0506	CJTO. COLECTOR D. 1050	
4	SP-04-0514	JUNTA TAMPA		13	* SP-04-0507	CJTO. COLECTOR D. 1050	
5	SP-04-0515	ARO TAMPA COMPLETO		13	* SP-04-0508	CJTO. COLECTOR D. 1200	
6	SP-04-0134	JUNTA TÓRICA 255X4		14	* SP-04-0509	CJTO. DIFUSOR D. 1050	
7	* SP-04-0504	PÉ FILTRO D.1050		14	* SP-04-0510	CJTO. DIFUSOR D. 1050	
7	* SP-04-0505	PÉ FILTRO D.1200		14	* SP-04-0511	CJTO. DIFUSOR D. 1200	
8	SP-04-0439	DESCARREGAAREIA - ÁGUA		15	SP-04-0181	CONO DIFUSOR D. 63	
9	SP-04-0150	BRAÇO COLECTOR 1" 265 M/M "		16	SP-04-0315	CONJUNTO SAÍDA D. 90 - 3"	
10	SP-04-0146	RACCORD UNIÃO 1"		17	SP-04-0144	RACORD DE SAIDA 2 1/2" + JUNTA TÓRIC "	



ITEM

REV.: 0

9175

DATA: 13/06/2022

FOLHA: 2/2

CODIGO **VFS-1050, VFS-1050-S, VFS-1200**DESCRICAÇÃO: **FILTROS TEIDE SEMI-INDUSTRIAL TAMPA 250**

OBSERVAÇÕES

POS	CODIGO	OBSERVAÇÕES
7	* SP-04-0504	PARA: VFS-1050, VFS-1050-S
7	* SP-04-0505	PARA: VFS-1200
13	* SP-04-0506	PARA: VFS-1050
13	* SP-04-0507	PARA: VFS-1050-S
13	* SP-04-0508	PARA: VFS-1200
14	* SP-04-0509	PARA: VFS-1050
14	* SP-04-0510	PARA: VFS-1050-S
14	* SP-04-0511	PARA: VFS-1200