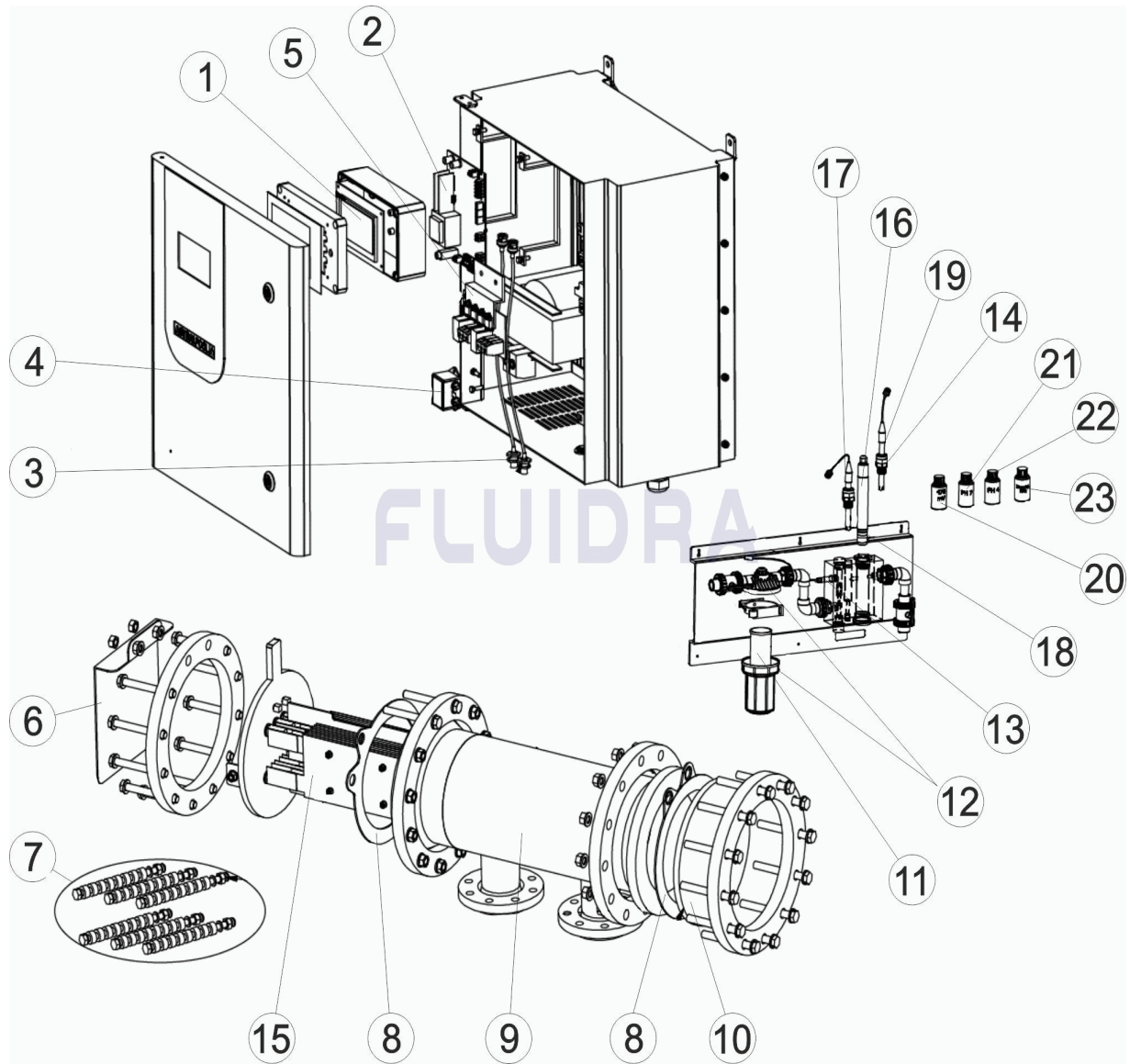


CODIGO 53810, 53815, 53820

DESCRIPCION: ELECTROLISIS PIS. COM. NATURE SALT



**ESPAÑOL**

POS	CODIGO	DESCRIPCION	CANTIDAD	POS	CODIGO	DESCRIPCION	CANTIDAD
1	* 4408040148	TARGETA VISUALIZADORA TACTIL DV1 EX		11	* 4408041537	FILTRO PORTASONDAS LAVABLE	
1	* 4408040149	TARGETA VISUALIZADORA TACTIL DV1 EX:		12	* 4408041538	PORTASONDAS E/S 1/2"	
1	* 4408040455	TARGETA VISUALIZADORA TACTIL EX V2		13	* 4408041541	SENSOR INDUCTIVO DE CAUDAL	
1	* 4408040456	TARGETA VISUALIZADORA TACTIL PH PPM		14	* 4408040604	PORTAELECTRODOS PE 12M/M-1/2"	
2	* 4408040080	PLACA CONTROL DV1-50 EX		15	60680	ELECTRODO AUTO-LIMPIANTE D-50 LS	
2	* 4408040081	PLACA CONTROL DV1-50 EXT-1/2		16	* 60645	SENSOR CLORO LIBRE	
3	* 4408040088	LATIGUILLO BNC 0,7 EXTERNO		17	* 60648	ELECTRODO COMBINADO PH	
4	4408041021	FILTRO 230V A-65/A-120 EX/PLUS		18	* 60647	CABEZAL MEMBRANA SENSOR CLORO LIB	
5	4408040087	TARJETA POTENCIA TIRISTORES DV1-50		19	* 60649	ELECTRODO ORP	
6	4408040078	PROTECTOR CONTACTOS D-120/180		20	* 60633	SOLUCION CALIBRACION 470MV.	
7	4408041410	CJTO. TORNILLOS ANCLAJE ELECTRODO		21	* 60618	TAMPON PH 7,0 50 M/L. (VERDE)	
8	4408041518	JUNTA BRIDA CELULA D-100/150EX/+		22	* 60632	TAMPON PH 4,0 50 ML. (ROJO)	
9	4408040127	CELULA SISTEME ELECTROLISIS D-50 LS		23	* 60646	ELECTROLITO ECC1/GEL SONDA CL	

CODIGO **53810, 53815, 53820**DESCRIPCION: **ELECTROLISIS PIS. COM. NATURE SALT**

10	4408041532	DISCO METACRILATO D.267/15 MM. D-100/			
----	------------	---------------------------------------	--	--	--

**CODIGO 53810, 53815, 53820**

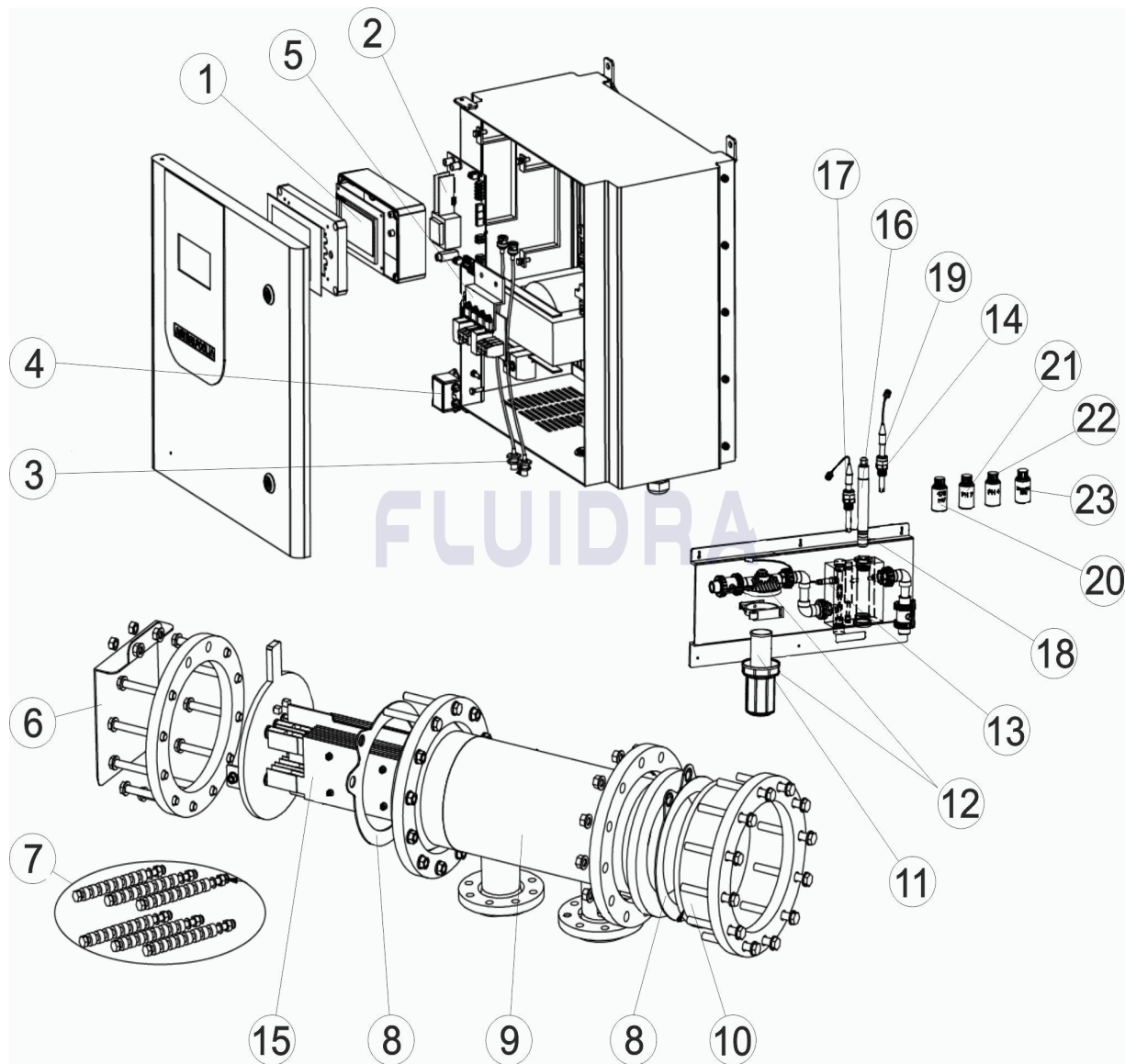
**DESCRIPCION: ELECTROLISIS PIS. COM. NATURE SALT**

## OBSERVACIONES

POS	CODIGO	OBSERVACIONES
1	* 4408040148	PARA: 53810, 53815 OLD MODEL
1	* 4408040149	PARA: 53820 OLD MODEL
1	* 4408040455	PARA: 53810, 53815 CURRENT MODEL
1	* 4408040456	PARA: 53820 CURRENT MODEL
2	* 4408040080	PARA: 53810
2	* 4408040081	PARA: 53815, 53820
3	* 4408040088	PARA: 53815, 53820
11	* 4408041537	PARA: 53820
12	* 4408041538	PARA: 53820
13	* 4408041541	PARA: 53820
14	* 4408040604	PARA: 53815, 53820
16	* 60645	PARA: 53820
17	* 60648	PARA: 53815, 53820
18	* 60647	PARA: 53820
19	* 60649	PARA: 53815
20	* 60633	PARA: 53815
21	* 60618	PARA: 53815, 53820
22	* 60632	PARA: 53815, 53820
23	* 60646	PARA: 53820

CODE 53810, 53815, 53820

DESCRIPTION: ÉLECTRO. PISC. COMP. NATURE SALT



FRANCAIS

POS	CODE	DESCRIPTION	QUANTITE	POS	CODE	DESCRIPTION	QUANTITE
1	* 4408040148	CARTE AFFICHEUR ÉLECTROLYSE DV1 E)		11	* 4408041537	FILTRE PORTE-SONDES LAVABLE	
1	* 4408040149	CARTE AFFICHEUR ÉLECTROLYSE DV1 E)		12	* 4408041538	PORTE-SONDES E/S 1/2"	
1	* 4408040455	CARTE AFFICHEUR ÉLECTROLYSE EX V2		13	* 4408041541	SONDE DE DÉBIT INDUCTIVE	
1	* 4408040456	CARTE AFFICHEUR ÉLECTROLYSE PH PPI		14	* 4408040604	PORTE-ÉLECTRODE PE 12M/M. 1/2"	
2	* 4408040080	PLAQUE CONTRÔLE DV1-50 EX		15	60680	ELECTRODE AUTO-NETTOYANTE D-50 LS	
2	* 4408040081	PLAQUE CONTRÔLE DV1-50 EXT-1/2		16	* 60645	SONDE DE CHLORE LIBRE	
3	* 4408040088	CÂBLE BNC 0,7		17	* 60648	ELECTRODE COMBINÉE PH	
4	4408041021	FILTRE 230V A-65/A-120 EX/PLUS		18	* 60647	CAPSULE MEMBRANE POUR SONDE CHLC	
5	4408040087	CARTE PUISSANCE DV1-50		19	* 60649	ELECTRODE ORP	
6	4408040078	PROTECTEUR CONTACTS D-80 EX		20	* 60633	SOLUTION CALIBRAGE 470 MV	
7	4408041410	KIT DE VIS POUR FIXATION D'ÉLECTRODE		21	* 60618	TAMPON PH 7,0 50 M/L. (VERT)	
8	4408041518	JOINT CELLULE D-100/150EX/+		22	* 60632	TAMPON PH 4,0 50 ML. (ROUGE)	
9	4408040127	CELLULE SYSTÈME ÉLECTROLYSE D-50 L		23	* 60646	ELECTROLYTE	

\* VOIR FICHE D'OBSERVATIONS

CODE **53810, 53815, 53820**

DESCRIPTION: **ÉLECTRO. PISC. COMP. NATURE SALT**

10	4408041532	DISQUE EN METACRYLATE D.267/15 MM.. I		
----	------------	---------------------------------------	--	--

CODE **53810, 53815, 53820**

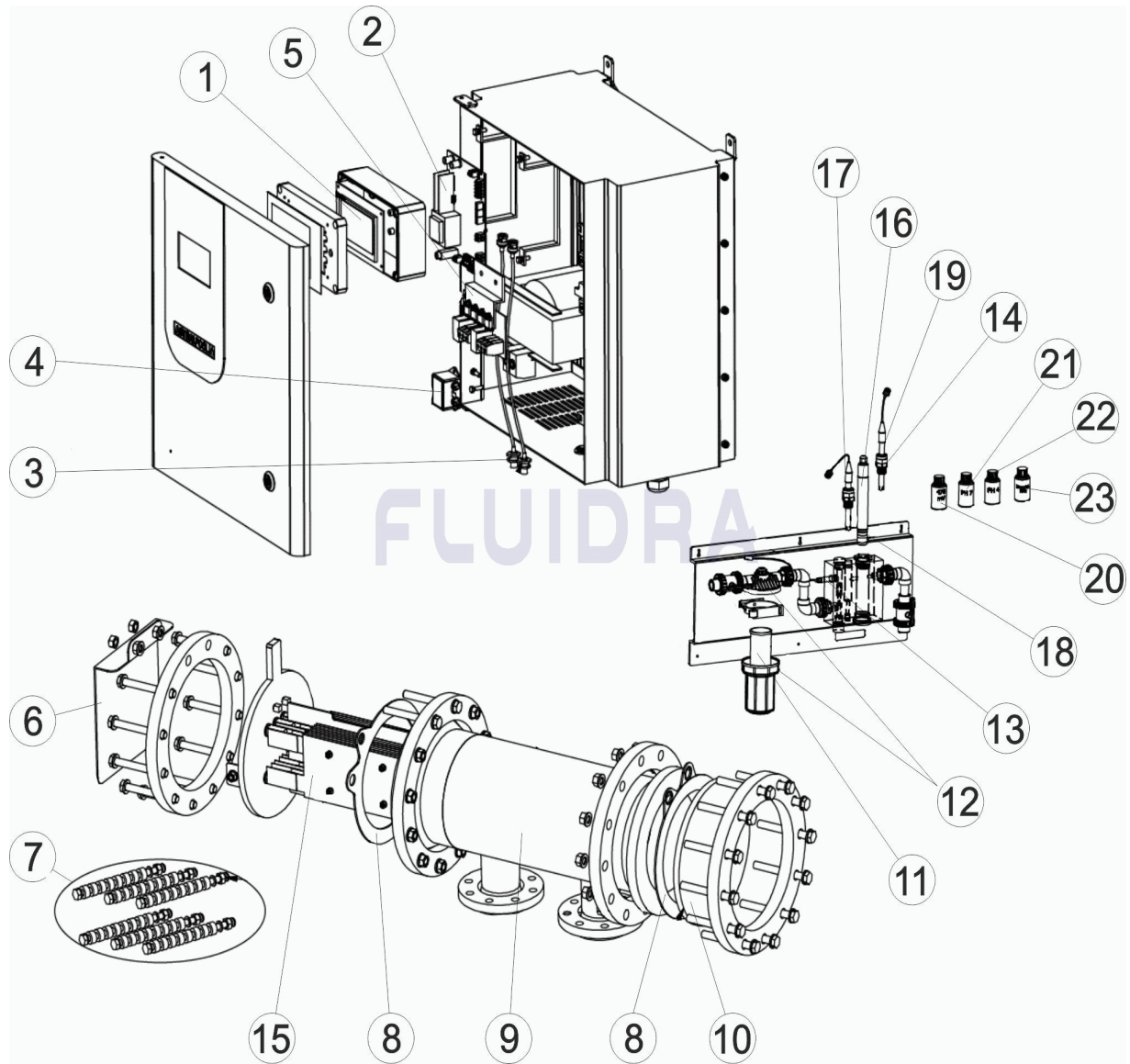
DESCRIPTION: **ÉLECTRO. PISC. COMP. NATURE SALT**

## OBSERVATIONS

POS	CODE	OBSERVATIONS
1	* 4408040148	POUR: 53810, 53815 OLD MODEL
1	* 4408040149	POUR: 53820 OLD MODEL
1	* 4408040455	POUR: 53810, 53815 CURRENT MODEL
1	* 4408040456	POUR: 53820 CURRENT MODEL
2	* 4408040080	POUR: 53810
2	* 4408040081	POUR: 53815, 53820
3	* 4408040088	POUR: 53815, 53820
11	* 4408041537	POUR: 53820
12	* 4408041538	POUR: 53820
13	* 4408041541	POUR: 53820
14	* 4408040604	POUR: 53815, 53820
16	* 60645	POUR: 53820
17	* 60648	POUR: 53815, 53820
18	* 60647	POUR: 53820
19	* 60649	POUR: 53815
20	* 60633	POUR: 53815
21	* 60618	POUR: 53815, 53820
22	* 60632	POUR: 53815, 53820
23	* 60646	POUR: 53820

CODE 53810, 53815, 53820

DESCRIPTION: ELECTROLYSIS COMP. POOL NATURE SALT



**ENGLISH**

POS	CODE	DESCRIPTION	QUANTITY	POS	CODE	DESCRIPTION	QUANTITY
1	* 4408040148	DV1 EX ELECTROLYSIS VIEWER CARD		11	* 4408041537	WASHABLE MAXIM CELL FILTER	
1	* 4408040149	DV1 EX2 ELECTROLYSIS VIEWER CARD		12	* 4408041538	MAXIM CELL E/S 1/2"	
1	* 4408040455	EX V2 ELECTROLYSIS VIEWER CARD		13	* 4408041541	INDUCTIVE FLOW SENSOR	
1	* 4408040456	PH PPM V2 ELECTROLYSIS VIEWER CARD		14	* 4408040604	ELECTRODE CARRIER PE 12M/M.-1/2"	
2	* 4408040080	ELECTRONIC CARD DV1-50 EX		15	60680	SELF-CLEANING D-50 LS	
2	* 4408040081	ELECTRONIC CARD DV1-50 EXT-1/2		16	* 60645	FREE CHLORINE SENSOR	
3	* 4408040088	BNC 0,7 EX CABLE		17	* 60648	ELECTRODE PH	
4	4408041021	FILTER 230V A-65/A-120 EX/PLUS		18	* 60647	MEMBRANE CAP FOR FREE CHLORINE SEI	
5	4408040087	POWER CARD DV1-50		19	* 60649	ORP ELECTRODE	
6	4408040078	CONTAC PROTECTION D-80 EX		20	* 60633	CALIBRATION SOLUTION ORP 470 MV	
7	4408041410	SCREW KIT FOR ELECTRODE FIXATION		21	* 60618	CALIBRATION SOLUTION PH 7,0 50 M/L. (GF	
8	4408041518	CELL GASKET D-100/150EX/+		22	* 60632	CALIBRATION SOLUTION PH 4,0 50 ML. (RE	
9	4408040127	ELECTROLYSIS CELL SYSTEM D-50 LS		23	* 60646	ELECTROLITE	

\* SEE OBSERVATIONS SHEET

CODE                    **53810, 53815, 53820**

DESCRIPTION: **ELECTROLYSIS COMP. POOL NATURE SALT**

10	4408041532	METHACRYLATE DISK D.267/15 MM.. D-10C			
----	------------	---------------------------------------	--	--	--



CODE **53810, 53815, 53820**

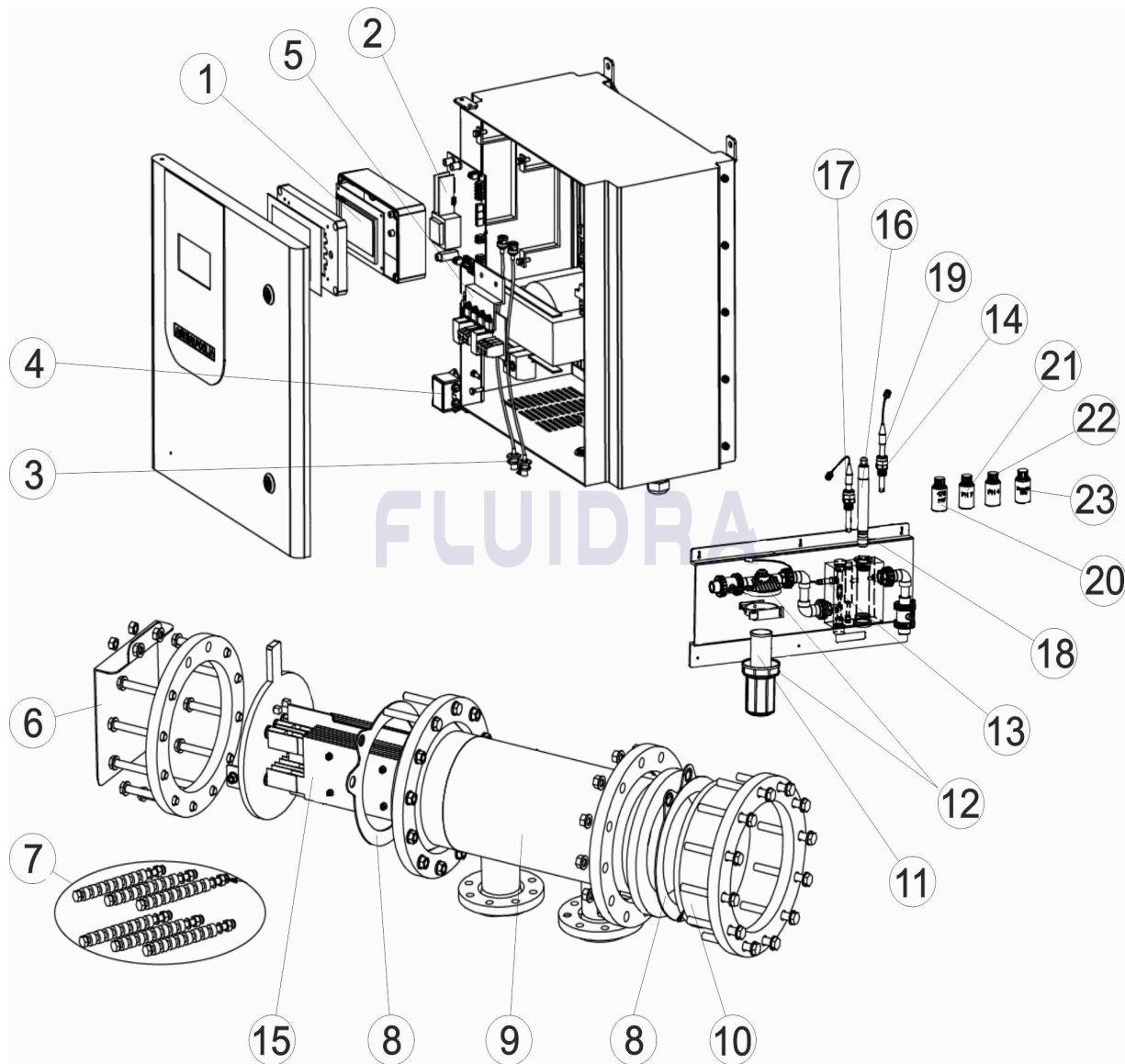
DESCRIPTION: **ELECTROLYSIS COMP. POOL NATURE SALT**

## OBSERVATIONS

POS	CODE	OBSERVATIONS
1	* 4408040148	FOR: 53810, 53815 OLD MODEL
1	* 4408040149	FOR: 53820 OLD MODEL
1	* 4408040455	FOR: 53810, 53815 CURRENT MODEL
1	* 4408040456	FOR: 53820 CURRENT MODEL
2	* 4408040080	FOR: 53810
2	* 4408040081	FOR: 53815, 53820
3	* 4408040088	FOR: 53815, 53820
11	* 4408041537	FOR: 53820
12	* 4408041538	FOR: 53820
13	* 4408041541	FOR: 53820
14	* 4408040604	FOR: 53815, 53820
16	* 60645	FOR: 53820
17	* 60648	FOR: 53815, 53820
18	* 60647	FOR: 53820
19	* 60649	FOR: 53815
20	* 60633	FOR: 53815
21	* 60618	FOR: 53815, 53820
22	* 60632	FOR: 53815, 53820
23	* 60646	FOR: 53820

CODICE 53810, 53815, 53820

DESCRIZIONE: Elettrolisi Pisc. Comp. Nature Salt



ITALIANO

POS	CODICE	DESCRIZIONE	QUANTITA'	POS	CODICE	DESCRIZIONE	QUANTITA'
1	* 4408040148	SCHEDA VISORE ELETTROLISI DV1 EX		11	* 4408041537	FILTRO PORTA-SONDE LAVABILE	
1	* 4408040149	SCHEDA VISORE ELETTROLISI DV1 EX2		12	* 4408041538	PORTA-SONDE E/S 1/2"	
1	* 4408040455	SCHEDA VISORE ELETTROLISI EX V2		13	* 4408041541	SONDA DI FLUSSO INDUTTIVA	
1	* 4408040456	SCHEDA VISORE ELETTROLISI PH PPM V2		14	* 4408040604	PORTAELETTODO PE 12M/M. X 1/2"	
2	* 4408040080	SCHEDA DV1-50 EX		15	60680	ELETTRODO AUTOPULENTI D-50 LS	
2	* 4408040081	SCHEDA DV1-50 EXT-1/2		16	* 60645	SONDA DI CLORO LIBERO	
3	* 4408040088	CAVO BNC 0,7		17	* 60648	ELETTRODO COMBINATO PH	
4	4408041021	FILTRE 230V A-65/A-120 EX/PLUS		18	* 60647	TAPPO MEMBRANA PER SONDA CLORO LI	
5	4408040087	CARTA POTENZA DV1-50		19	* 60649	ELETTRODO RX	
6	4408040078	PROTECTORE CONTATTI D-80 EX		20	* 60633	SOLUCIONE CALIBRAZIONE 470MV.	
7	4408041410	KIT DI VITI PER FISSAGGIO DELL'ELETTRODO		21	* 60618	SOLUCIONE TAMPONE PH 7,0 50 M/L. (VER	
8	4408041518	GIUNTA CELLULA D-100/150EX/+		22	* 60632	SOLUCIONE TAMPONE PH 4,0 50 ML. (ROS	
9	4408040127	CELLULA SISTEMA ELETTROLISI D-50 LS		23	* 60646	ELETTROLITO	

\* SI FACCIA RIFERIMENTO AL FOGLIO DELLE OSSERVAZIONI

CODICE                    **53810, 53815, 53820**

DESCRIZIONE: **ELETTROLISI PISC. COMP. NATURE SALT**

10	4408041532	DISC METACRILATO D.267/15 MM.. D-100/1		
----	------------	--	--	--

CODICE **53810, 53815, 53820**

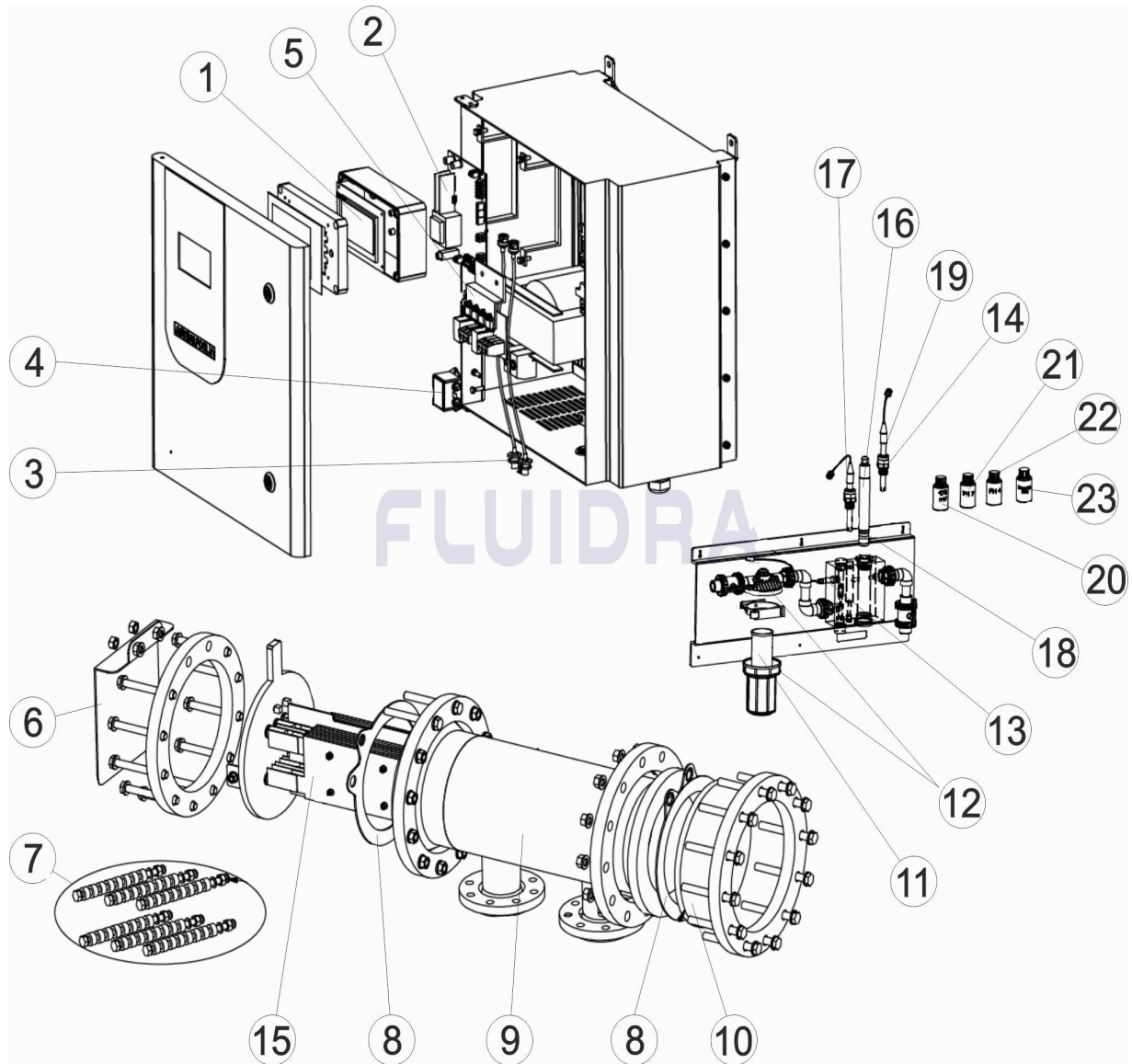
DESCRIZIONE: **ELETTROLISI PISC. COMP. NATURE SALT**

## OSSERVAZIONI

POS	CODICE	OSSERVAZIONI
1	* 4408040148	PER: 53810, 53815 OLD MODEL
1	* 4408040149	PER: 53820 OLD MODEL
1	* 4408040455	PER: 53810, 53815 CURRENT MODEL
1	* 4408040456	PER: 53820 CURRENT MODEL
2	* 4408040080	PER: 53810
2	* 4408040081	PER: 53815, 53820
3	* 4408040088	PER: 53815, 53820
11	* 4408041537	PER: 53820
12	* 4408041538	PER: 53820
13	* 4408041541	PER: 53820
14	* 4408040604	PER: 53815, 53820
16	* 60645	PER: 53820
17	* 60648	PER: 53815, 53820
18	* 60647	PER: 53820
19	* 60649	PER: 53815
20	* 60633	PER: 53815
21	* 60618	PER: 53815, 53820
22	* 60632	PER: 53815, 53820
23	* 60646	PER: 53820

CODE 53810, 53815, 53820

BESCHREIBUNG: ELEKTROLYSE ÖFFENTLICHES BECKEN NATURE SALT



DEUTSCH

POS	CODE	BESCHREIBUNG	MENGE	POS	CODE	BESCHREIBUNG	MENGE
1	* 4408040148	TOUCHSCREEN DV1 EX		11	* 4408041537	SONDENHALTERUNG FILTER WASCHBAR	
1	* 4408040149	TOUCHSCREEN DV1 EX 2		12	* 4408041538	SONDENHALTERUNG E/S 1/2"	
1	* 4408040455	TOUCHSCREEN EX V2		13	* 4408041541	INDUKTIVER DURCHFLUSSMESSER	
1	* 4408040456	TOUCHSCREEN PH PPM V2		14	* 4408040604	ELEKTRODENSITZ PE 12 MM-1/2"	
2	* 4408040080	STEUERPLATINE DV1 - 50 EX		15	60680	ELEKTRODE SELBSTREINIGEND D-50 LS	
2	* 4408040081	STEUERPLATINE DV1 - 50 EXT - 1/2		16	* 60645	FREICHLORMESSER	
3	* 4408040088	SCHLAUCHLEITUNG BNC 0,7 AUSSEN		17	* 60648	ELEKTRODE KOMBINIERT PH	
4	4408041021	FILTER 230 V A-65/A-120 EX/PLUS		18	* 60647	KOPFSTÜCK MEMBRAN FREICHLORMESSI	
5	4408040087	LEISTUNGSPLATINE DV1 - 50		19	* 60649	ORP-ELEKTRODE	
6	4408040078	KONTAKTSCHUTZ D-120/180		20	* 60633	KALIBRIERERLÖSUNG 47 0MV	
7	4408041410	SET VERANKERUNGSSCHRAUBEN ELEKT		21	* 60618	PUFFER PH 7,0 50 M/L (GRÜN)	
8	4408041518	DICHTUNG FLANSCH ZELLE D-100/150EX/		22	* 60632	PUFFER PH 4,0 50 ML (ROT)	
9	4408040127	ZELLE ELEKTROLYSE D-50 LS		23	* 60646	ELEKTROLYT ECC1/GEL SONDE CL	

\* SIEHE ANMERKUGSBLATT

CODE **53810, 53815, 53820**

BESCHREIBUNG: **ELEKTROLYSE ÖFFENTLICHES BECKEN NATURE SALT**

10	4408041532	SCHEIBE PLEXIGLAS D. 267/15 MM D-100/1			
----	------------	--	--	--	--

CODE **53810, 53815, 53820**

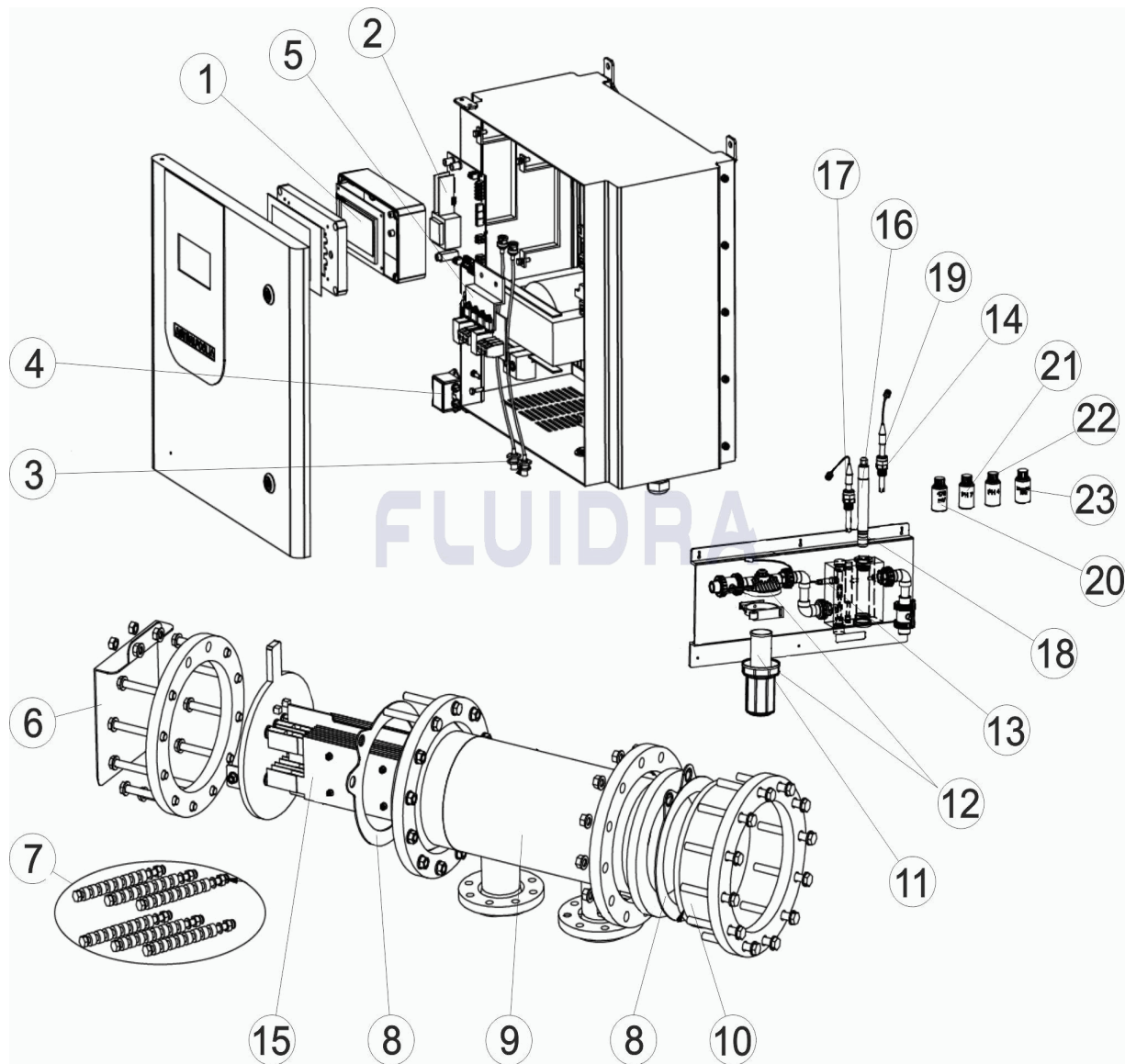
BESCHREIBUNG: **ELEKTROLYSE ÖFFENTLICHES BECKEN NATURE SALT**

## HINWEISE

POS	CODE	HINWEISE
1	* 4408040148	FÜR: 53810, 53815 OLD MODEL
1	* 4408040149	FÜR: 53820 OLD MODEL
1	* 4408040455	FÜR: 53810, 53815 CURRENT MODEL
1	* 4408040456	FÜR: 53820 CURRENT MODEL
2	* 4408040080	FÜR: 53810
2	* 4408040081	FÜR: 53815, 53820
3	* 4408040088	FÜR: 53815, 53820
11	* 4408041537	FÜR: 53820
12	* 4408041538	FÜR: 53820
13	* 4408041541	FÜR: 53820
14	* 4408040604	FÜR: 53815, 53820
16	* 60645	FÜR: 53820
17	* 60648	FÜR: 53815, 53820
18	* 60647	FÜR: 53820
19	* 60649	FÜR: 53815
20	* 60633	FÜR: 53815
21	* 60618	FÜR: 53815, 53820
22	* 60632	FÜR: 53815, 53820
23	* 60646	FÜR: 53820

CODIGO 53810, 53815, 53820

DESCRIÇÃO: ELETRÓLISE PIS. COM. NATURE SALT



PORTUGUES

POS	CODIGO	DESCRIÇÃO	JANTIDADE	POS	CODIGO	DESCRIÇÃO	JANTIDADE
1	* 4408040148	PLACA VISUALIZAÇÃO ELECTRÓLISE DV1		11	* 4408041537	FILTRO PORTA-SONDAS LAVÁVEL	
1	* 4408040149	PLACA VISUALIZAÇÃO ELECTRÓLISE DV1		12	* 4408041538	PORTA-SONDAS E/S 1/2"	
1	* 4408040455	PLACA VISUALIZAÇÃO ELECTRÓLISE EX V		13	* 4408041541	SONDA DE CAUDAL INDUTIVA	
1	* 4408040456	PLACA VISUALIZAÇÃO ELECTRÓLISE PH F		14	* 4408040604	PORTAELECTRODOS PE 12M/M-1/2"	
2	* 4408040080	PLACA CONTROLO DV1-50 EX		15	60680	ELECTRODO AUTO-LIMPANT. D-50 LS	
2	* 4408040081	PLACA CONTROLO DV1-50 EXT-1/2		16	* 60645	SONDA DE CLORO LIVRE	
3	* 4408040088	CABO BNC 0,7		17	* 60648	ELECTRODO COMBINADO PH	
4	4408041021	FILTRO 230V A-65/A-120 EX/PLUS		18	* 60647	CÁPSULA MEMBRANA PARA SONDA CLOR	
5	4408040087	TARJETA POTÊNCIA DV1-50		19	* 60649	ELECTRODO ORP	
6	4408040078	PROTECTOR CONTACTOS D-80 EX		20	* 60633	SOLUÇÃO TAMPÃO 470 MV	
7	4408041410	CJTO.PARAFUSOS DE FIXAÇÃO DE ELECT		21	* 60618	SOLUÇÃO TAMPÃO PH 7,0 50 ML. (VERDE)	
8	4408041518	JUNTA CELULA D-100/D-150EX/+		22	* 60632	SOLUÇÃO TAMPÃO PH 4,0 50 ML. (VERMEL)	
9	4408040127	CÉLULA SISTEMA ELETRÓLISE D-50 LS		23	* 60646	ELECTROLITO	



CODIGO **53810, 53815, 53820**

DESCRIÇÃO: **ELETRÓLISE PIS. COM. NATURE SALT**

10	4408041532	DISCO METACRILATO D.267/15 MM.. D-100.			
----	------------	--	--	--	--

**CODIGO 53810, 53815, 53820**

**DESCRIÇÃO: ELETRÓLISE PIS. COM. NATURE SALT**

## OBSERVAÇÕES

POS	CODIGO	OBSERVAÇÕES
1	* 4408040148	PARA: 53810, 53815 OLD MODEL
1	* 4408040149	PARA: 53820 OLD MODEL
1	* 4408040455	PARA: 53810, 53815 CURRENT MODEL
1	* 4408040456	PARA: 53820 CURRENT MODEL
2	* 4408040080	PARA: 53810
2	* 4408040081	PARA: 53815, 53820
3	* 4408040088	PARA: 53815, 53820
11	* 4408041537	PARA: 53820
12	* 4408041538	PARA: 53820
13	* 4408041541	PARA: 53820
14	* 4408040604	PARA: 53815, 53820
16	* 60645	PARA: 53820
17	* 60648	PARA: 53815, 53820
18	* 60647	PARA: 53820
19	* 60649	PARA: 53815
20	* 60633	PARA: 53815
21	* 60618	PARA: 53815, 53820
22	* 60632	PARA: 53815, 53820
23	* 60646	PARA: 53820