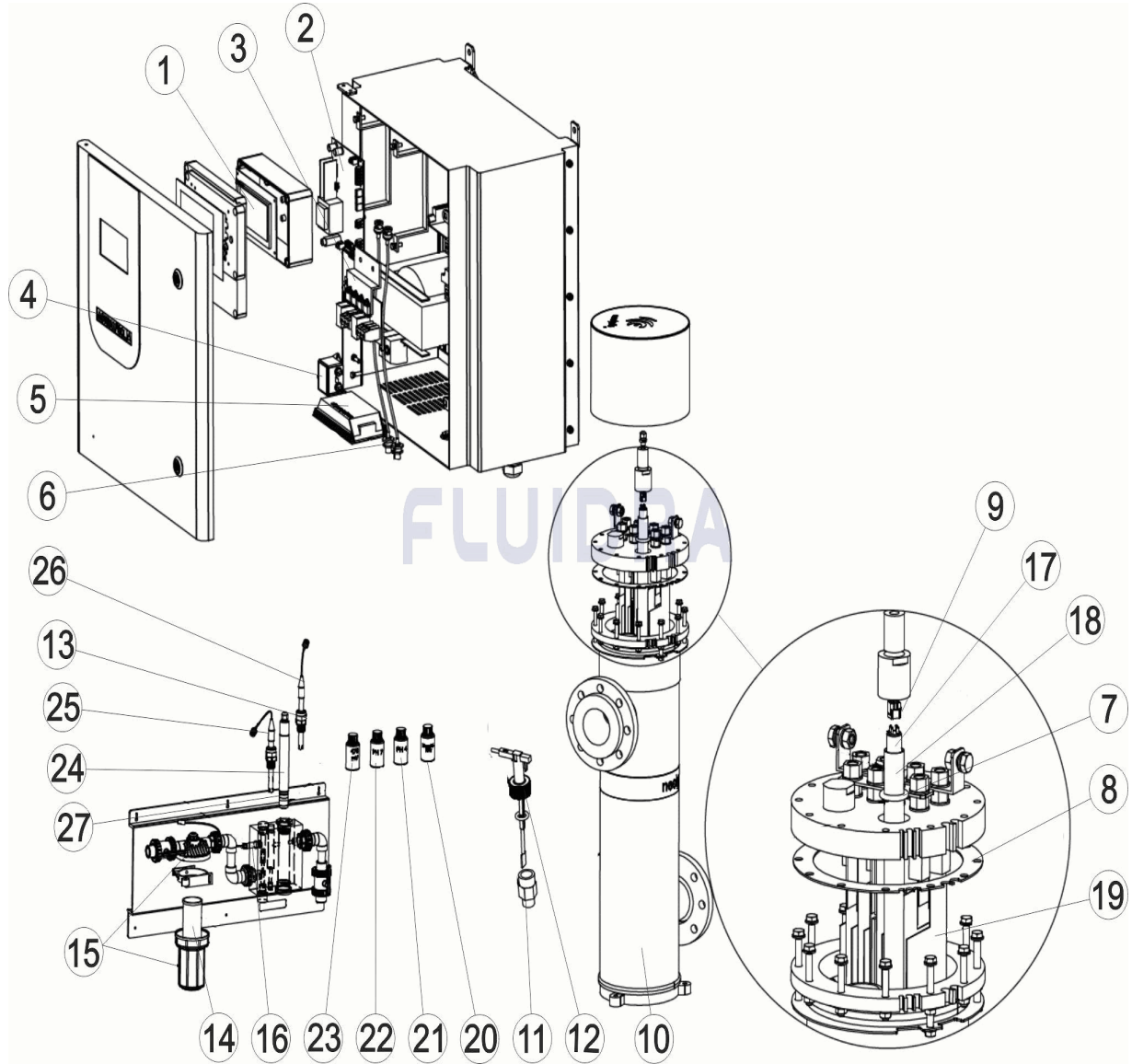


CODIGO **57753, 57763, 57766**

DESCRIPCION: **SISTEMA NEOLYSIS PISCINA COMERCIAL NEO-50**



ESPAÑOL

POS	CODIGO	DESCRIPCION	CANTIDAD	POS	CODIGO	DESCRIPCION	CANTIDAD
1	* 4408040150	TARGETA VISUALIZADORA TACTIL NV1 EX		11	4408041210	REDUCCION ROSCADA 3/4" 1/2"	
1	* 4408040151	TARGETA VISUALIZADORA TACTIL NV1 EX:		12	71124	FLUJOSTATO	
1	* 4408040457	TARGETA VISUALIZADORA TACTIL NEO V2		13	* 4408040604	PORTAELECTRODOS PE 12M/M-1/2"	
1	* 4408040458	TARGETA VISUALIZADORA TACTIL NEO PP		14	* 4408041537	FILTRO PORTASONDAS LAVABLE	
2	* 4408040080	PLACA CONTROL DV1-50 EX		15	* 4408041538	PORTASONDAS E/S 1/2"	
2	* 4408040081	PLACA CONTROL DV1-50 EXT-1/2		16	* 4408041541	SENSOR INDUCTIVO DE CAUDAL	
3	4408040087	TARJETA POTENCIA TIRISTORES DV1-50		17	60608	LAMPARA UV LP-20 (1X75W) Y LP30 V12 (2)	
4	4408041021	FILTRO 230V A-65/A-120 EX/PLUS		18	60631	CUARZO UV LP-20-25-30	
5	4408070062	BALASTRO LP 20, 25		19	61119	RECAMBIO ELECTRODO NEOLYSIS 50GR/l	
6	* 4408040088	LATIGUILLO BNC 0,7 EXTERNO		20	* 60646	ELECTROLITO ECC1/GEL Sonda CL	
6	* 4408040089	LATIGUILLO BNC EXT-2 BNC A PVA 24V		21	* 60632	TAMPON PH 4,0 50 ML. (ROJO)	
7	4408070077	JUNTA TORICA		22	* 60618	TAMPON PH 7,0 50 M/L. (VERDE)	
8	4408040135	JUNTA BRIDA CELULA NEOLYSIS EPDM		23	* 60633	SOLUCION CALIBRACION 470MV.	

CODIGO **57753, 57763, 57766**

DESCRIPCION: **SISTEMA NEOLYSIS PISCINA COMERCIAL NEO-50**

9	4408070059	CONECTOR 4PIN	24	* 60645	SENSOR CLORO LIBRE
10	4408040136	CELULA NEOLYSIS PIS. COMER.	25	* 60648	ELECTRODO COMBINADO PH
26	* 60649	ELECTRODO ORP			

CODIGO 57753, 57763, 57766

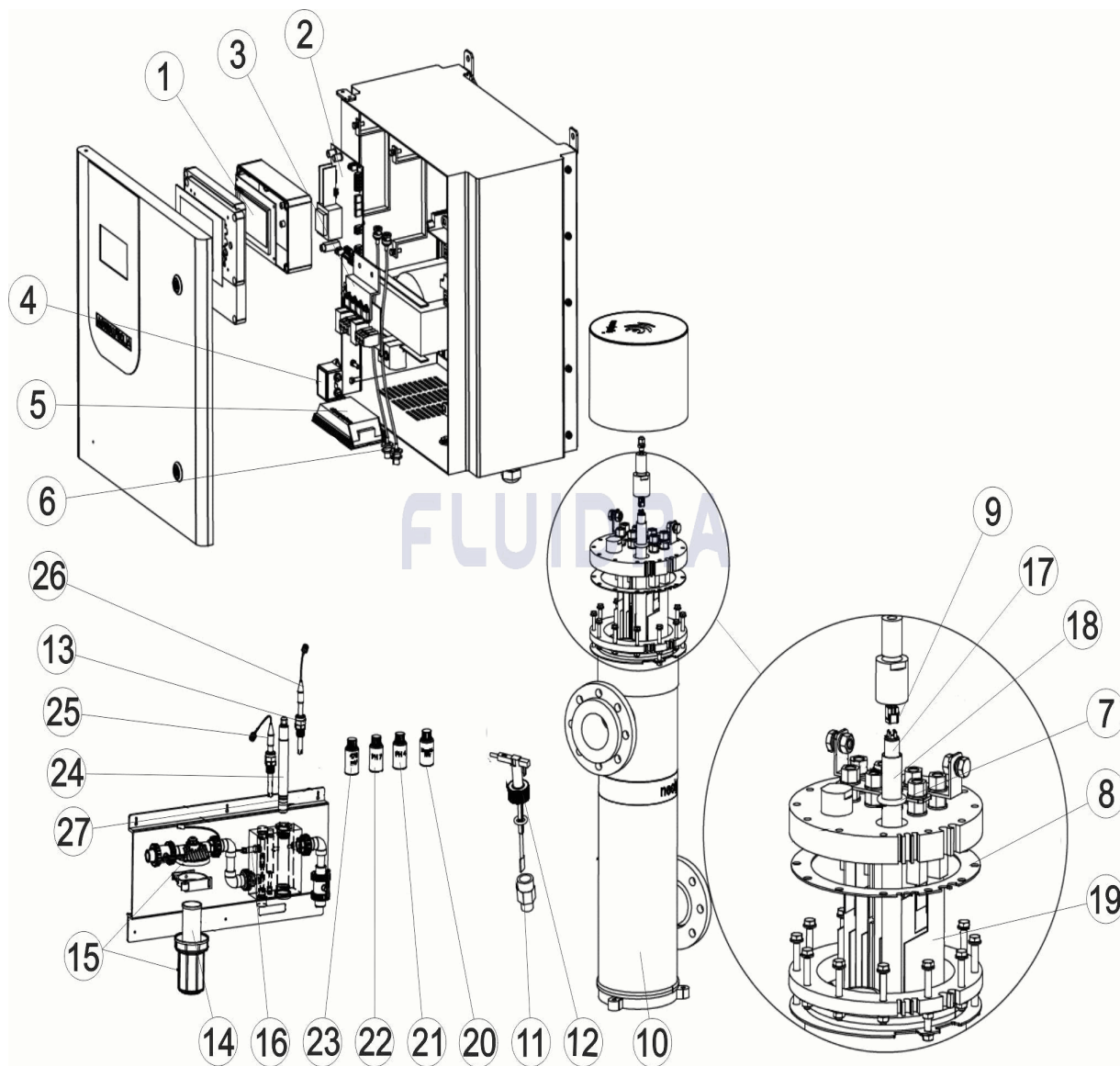
DESCRIPCION: SISTEMA NEOLYSIS PISCINA COMERCIAL NEO-50

OBSERVACIONES

POS	CODIGO	OBSERVACIONES
1	* 4408040150	PARA: 57753, 57763 OLD MODEL
1	* 4408040151	PARA: 57766 OLD MODEL
1	* 4408040457	PARA: 57753, 57763 CURRENT MODEL
1	* 4408040458	PARA: 57766
2	* 4408040080	PARA: 57753
2	* 4408040081	PARA: 57763, 57766
6	* 4408040088	PARA: 57763, 57766
6	* 4408040089	PARA: 57766
13	* 4408040604	PARA: 57763, 57766
14	* 4408041537	PARA: 57763, 57766
15	* 4408041538	PARA: 57763, 57766
16	* 4408041541	PARA: 57763, 57766
20	* 60646	PARA: 57766
21	* 60632	PARA: 57763, 57766
22	* 60618	PARA: 57763, 57766
23	* 60633	PARA: 57763
24	* 60645	PARA: 57766
25	* 60648	PARA: 57763, 57766
26	* 60649	PARA: 57763

CODE 57753, 57763, 57766

DESCRIPTION: SYSTÈME NEOLYSIS PISCINE COMMERCIALE NEO-50



FRANCAIS

POS	CODE	DESCRIPTION	QUANTITE	POS	CODE	DESCRIPTION	QUANTITE
1	* 4408040150	CARTE AFFICHEUR ÉLECTROLYSE NV1 E)		11	4408041210	MANCHON PE 1/2" - 3/4"	
1	* 4408040151	CARTE AFFICHEUR ÉLECTROLYSE NV1 E)		12	71124	CONTROLEUR DE DEBIT	
1	* 4408040457	CARTE AFFICHEUR ÉLECTROLYSE NEO V.		13	* 4408040604	PORTE-ÉLECTRODE PE 12M/M. 1/2"	
1	* 4408040458	CARTE AFFICHEUR ÉLECTROLYSE NEO PI		14	* 4408041537	FILTRE PORTE-SONDES LAVABLE	
2	* 4408040080	PLAQUE CONTRÔLE DV1-50 EX		15	* 4408041538	PORTE-SONDES E/S 1/2"	
2	* 4408040081	PLAQUE CONTRÔLE DV1-50 EXT-1/2		16	* 4408041541	SONDE DE DÉBIT INDUCTIVE	
3	4408040087	CARTE PUISSANCE DV1-50		17	60608	LAMPE UV LP-20 (1X75W) Y LP30 V12 (2X75	
4	4408041021	FILTRE 230V A-65/A-120 EX/PLUS		18	60631	GAINÉ QUARTZ LP 20, 25, 30	
5	4408070062	BALLAST LP 20, 25		19	61119	RECHANGE ÉLECTRODE NEOLYSIS 50GR/I	
6	* 4408040088	CÂBLE BNC 0,7		20	* 60646	ELECTROLYTE	
6	* 4408040089	CÂBLE BNC EXT-2 BNC A PVA 24V		21	* 60632	TAMPON PH 4,0 50 ML. (ROUGE)	
7	4408070077	JOINT TORIQUE		22	* 60618	TAMPON PH 7,0 50 M/L. (VERT)	
8	4408040135	JOINT CELLULE NEOLYSIS EPDM		23	* 60633	SOLUTION CALIBRAGE 470 MV	

* VOIR FICHE D'OBSERVATIONS

CODE **57753, 57763, 57766**

DESCRIPTION: **SYSTÈME NEOLYSIS PISCINE COMMERCIALE NEO-50**

9	4408070059	CONNECTEUR 4PIN	24	* 60645	SONDE DE CHLORE LIBRE
10	4408040136	CELLULE NEOLYSIS	25	* 60648	ELECTRODE COMBINÉE PH
26	* 60649	ELECTRODE ORP			

CODE **57753, 57763, 57766**

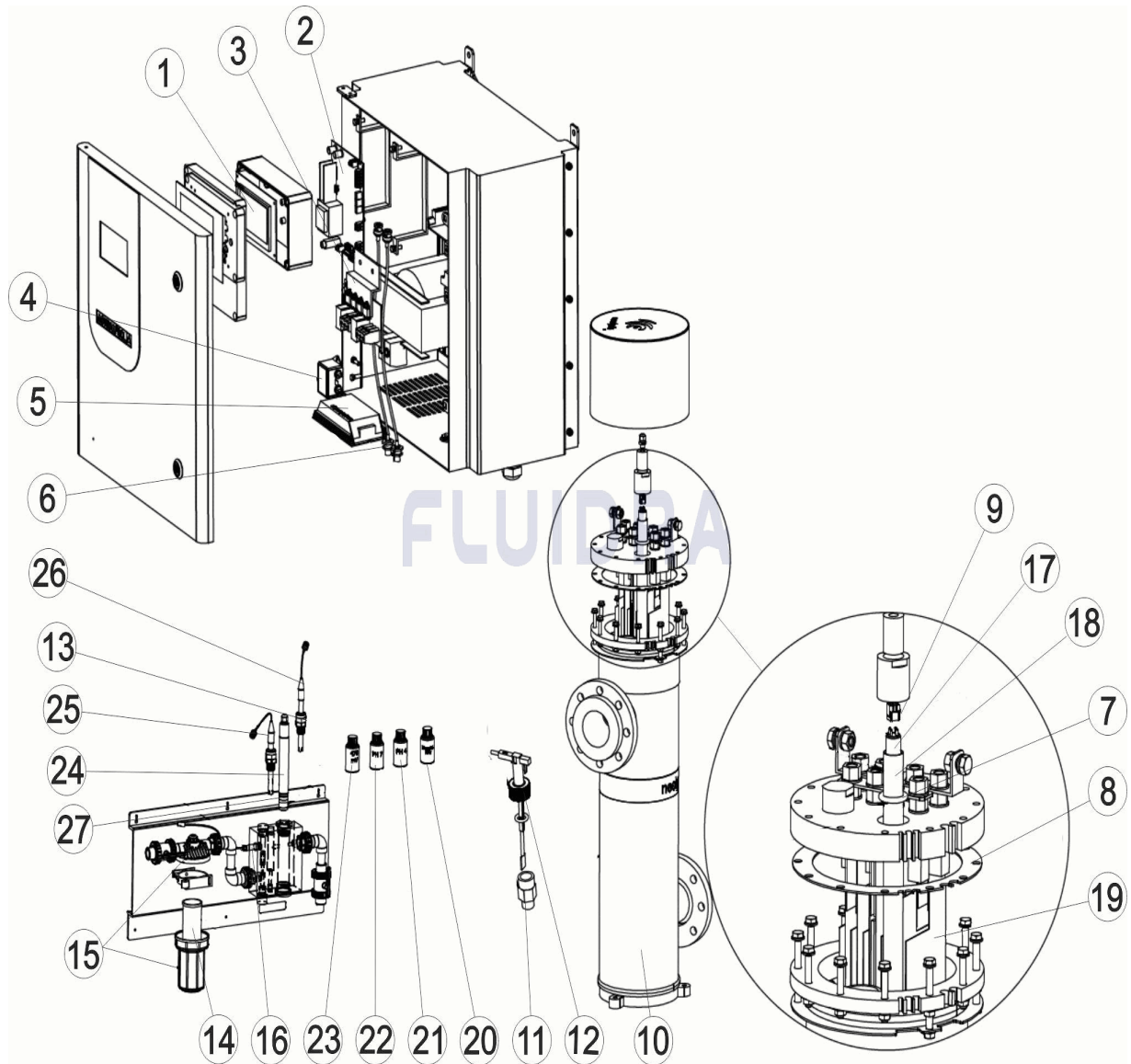
DESCRIPTION: **SYSTÈME NEOLYSIS PISCINE COMMERCIALE NEO-50**

OBSERVATIONS

POS	CODE	OBSERVATIONS
1	* 4408040150	POUR: 57753, 57763 OLD MODEL
1	* 4408040151	POUR: 57766 OLD MODEL
1	* 4408040457	POUR: 57753, 57763 CURRENT MODEL
1	* 4408040458	POUR: 57766
2	* 4408040080	POUR: 57753
2	* 4408040081	POUR: 57763, 57766
6	* 4408040088	POUR: 57763, 57766
6	* 4408040089	POUR: 57766
13	* 4408040604	POUR: 57763, 57766
14	* 4408041537	POUR: 57763, 57766
15	* 4408041538	POUR: 57763, 57766
16	* 4408041541	POUR: 57763, 57766
20	* 60646	POUR: 57766
21	* 60632	POUR: 57763, 57766
22	* 60618	POUR: 57763, 57766
23	* 60633	POUR: 57763
24	* 60645	POUR: 57766
25	* 60648	POUR: 57763, 57766
26	* 60649	POUR: 57763

CODE 57753, 57763, 57766

DESCRIPTION: NEOLYSIS SYSTEM FOR COMMERCIAL POOL NEO-50



ENGLISH

POS	CODE	DESCRIPTION	QUANTITY	POS	CODE	DESCRIPTION	QUANTITY
1	* 4408040150	NV1 EX ELECTROLYSIS VIEWER CARD		11	4408041210	ADAPTOR SOCKET PE 1/2" - 3/4	
1	* 4408040151	NV1 EX2 ELECTROLYSIS VIEWER CARD		12	71124	WATER FLOW SWITCH	
1	* 4408040457	NEO V2 ELECTROLYSIS VIEWER CARD		13	* 4408040604	ELECTRODE CARRIER PE 12M/M.-1/2"	
1	* 4408040458	NEO PPM V2 ELECTROLYSIS VIEWER CAF		14	* 4408041537	WASHABLE MAXIM CELL FILTER	
2	* 4408040080	ELECTRONIC CARD DV1-50 EX		15	* 4408041538	MAXIM CELL E/S 1/2"	
2	* 4408040081	ELECTRONIC CARD DV1-50 EXT-1/2		16	* 4408041541	INDUCTIVE FLOW SENSOR	
3	4408040087	POWER CARD DV1-50		17	60608	LAMPELC UV LP-20 (1X75W) Y LP30 V12 (2)	
4	4408041021	FILTER 230V A-65/A-120 EX/PLUS		18	60631	QUARTZ SLEEVE LP 20, 25, 30	
5	4408070062	BALLAST LP 20, 25		19	61119	ELECTRODE SPARE NEOLYSIS 50GR/H+ U ¹	
6	* 4408040088	BNC 0,7 EX CABLE		20	* 60646	ELECTROLITE	
6	* 4408040089	EXT-2 BNC A PVA 24V CABLE		21	* 60632	CALIBRATION SOLUTION PH 4,0 50 ML. (RE	
7	4408070077	O' RING		22	* 60618	CALIBRATION SOLUTION PH 7,0 50 M/L. (GF	
8	4408040135	CELL GASKET NEOLYSIS EPDM		23	* 60633	CALIBRATION SOLUTION ORP 470 MV	

CODE **57753, 57763, 57766**

DESCRIPTION: **NEOLYSIS SYSTEM FOR COMMERCIAL POOL NEO-50**

9	4408070059	4PIN CONNECTOR	24	* 60645	FREE CHLORINE SENSOR
10	4408040136	NEOLYSIS CELL	25	* 60648	ELECTRODE PH
26	* 60649	ORP ELECTRODE			

CODE **57753, 57763, 57766**

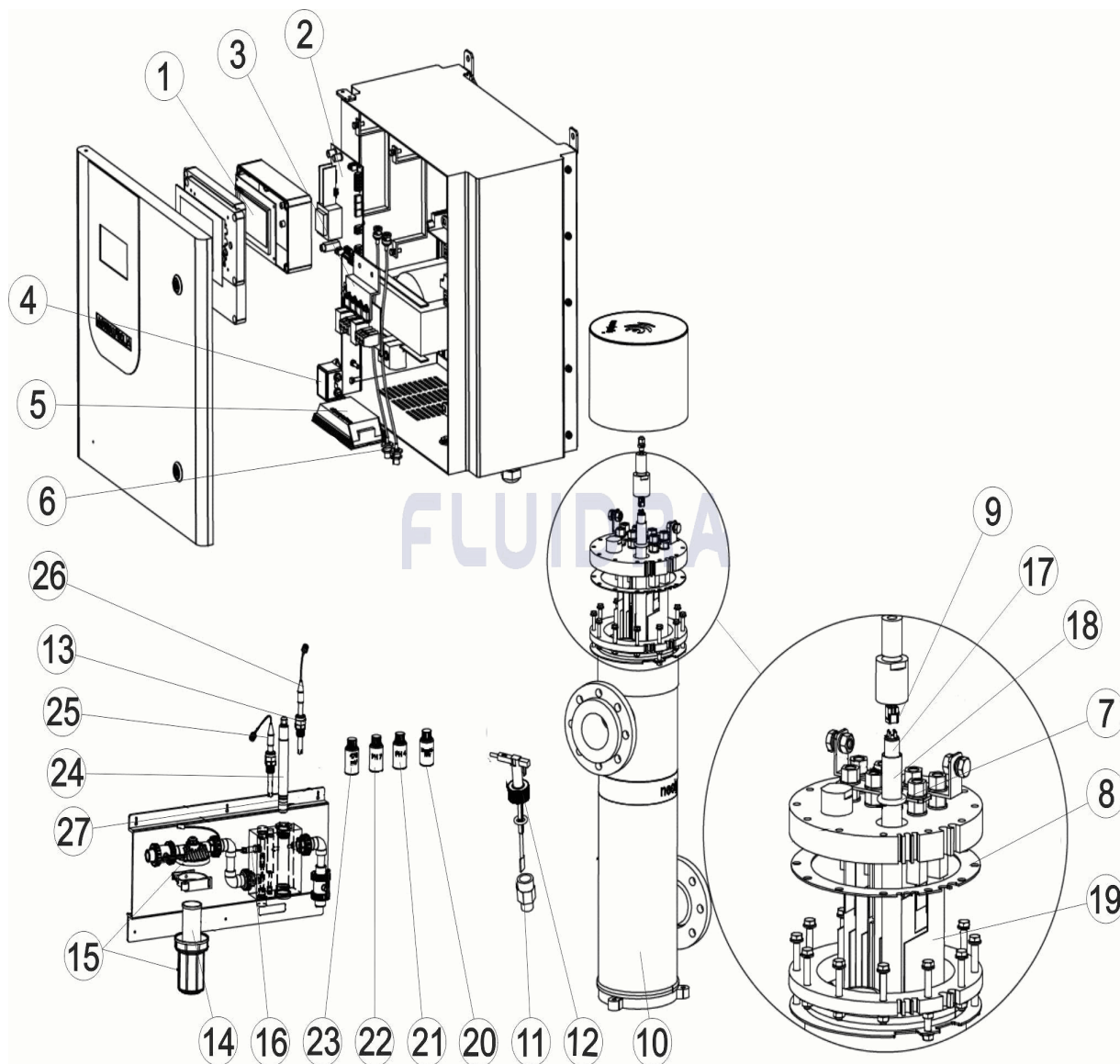
DESCRIPTION: **NEOLYSIS SYSTEM FOR COMMERCIAL POOL NEO-50**

OBSERVATIONS

POS	CODE	OBSERVATIONS
1	* 4408040150	FOR: 57753, 57763 OLD MODEL
1	* 4408040151	FOR: 57766 OLD MODEL
1	* 4408040457	FOR: 57753, 57763 CURRENT MODEL
1	* 4408040458	FOR: 57766
2	* 4408040080	FOR: 57753
2	* 4408040081	FOR: 57763, 57766
6	* 4408040088	FOR: 57763, 57766
6	* 4408040089	FOR: 57766
13	* 4408040604	FOR: 57763, 57766
14	* 4408041537	FOR: 57763, 57766
15	* 4408041538	FOR: 57763, 57766
16	* 4408041541	FOR: 57763, 57766
20	* 60646	FOR: 57766
21	* 60632	FOR: 57763, 57766
22	* 60618	FOR: 57763, 57766
23	* 60633	FOR: 57763
24	* 60645	FOR: 57766
25	* 60648	FOR: 57763, 57766
26	* 60649	FOR: 57763

CODICE 57753, 57763, 57766

DESCRIZIONE: SISTEMA NEOLISYS PISCINA COMMERCIALE NEO-50



ITALIANO

POS	CODICE	DESCRIZIONE	QUANTITA'	POS	CODICE	DESCRIZIONE	QUANTITA'
1	* 4408040150	SCHEDA VISORE ELETTROLISI NV1 EX		11	4408041210	MANICOTTO PE 1/2" - 3/4"	
1	* 4408040151	SCHEDA VISORE ELETTROLISI NV1 EX2		12	71124	FLUSSOSTATO	
1	* 4408040457	SCHEDA VISORE ELETTROLISI NEO V2		13	* 4408040604	PORTAELETTODO PE 12M/M. X 1/2"	
1	* 4408040458	SCHEDA VISORE ELETTROLISI NEO PPM \		14	* 4408041537	FILTRO PORTA-SONDE LAVABILE	
2	* 4408040080	SCHEDA DV1-50 EX		15	* 4408041538	PORTA-SONDE E/S 1/2"	
2	* 4408040081	SCHEDA DV1-50 EXT-1/2		16	* 4408041541	SONDA DI FLUSSO INDUTTIVA	
3	4408040087	CARTA POTENZA DV1-50		17	60608	LAMPADA UV LP-20 (1X75W) Y LP30 V12 (2)	
4	4408041021	FILTRE 230V A-65/A-120 EX/PLUS		18	60631	GUAINA DI QUARZO LP 20, 25, 30	
5	4408070062	REGOLATORE DI CORRENTE LP 20, 25		19	61119	RECAMBIO ELETTRODO NEOLYSIS 50GR/I	
6	* 4408040088	CAVO BNC 0,7		20	* 60646	ELETTROLITO	
6	* 4408040089	CAVO BNC EXT-2 BNC A PVA 24V		21	* 60632	SOLUCIONE TAMPONE PH 4,0 50 ML. (ROS)	
7	4408070077	O-RING		22	* 60618	SOLUCIONE TAMPONE PH 7,0 50 M/L. (VER)	
8	4408040135	GIUNTA CELLULA NEOLYSIS EPDM		23	* 60633	SOLUCIONE CALIBRAZIONE 470MV.	

* SI FACCIA RIFERIMENTO AL FOGLIO DELLE OSSERVAZIONI

CODICE **57753, 57763, 57766**

DESCRIZIONE: **SISTEMA NEOLISYS PISCINA COMMERCIALE NEO-50**

9	4408070059	CONNETTORE 4910	24	* 60645	SONDA DI CLORO LIBERO
10	4408040136	CELLULA NEOLISIS	25	* 60648	ELETTRODO COMBINATO PH
26	* 60649	ELETTRODO RX			

CODICE **57753, 57763, 57766**

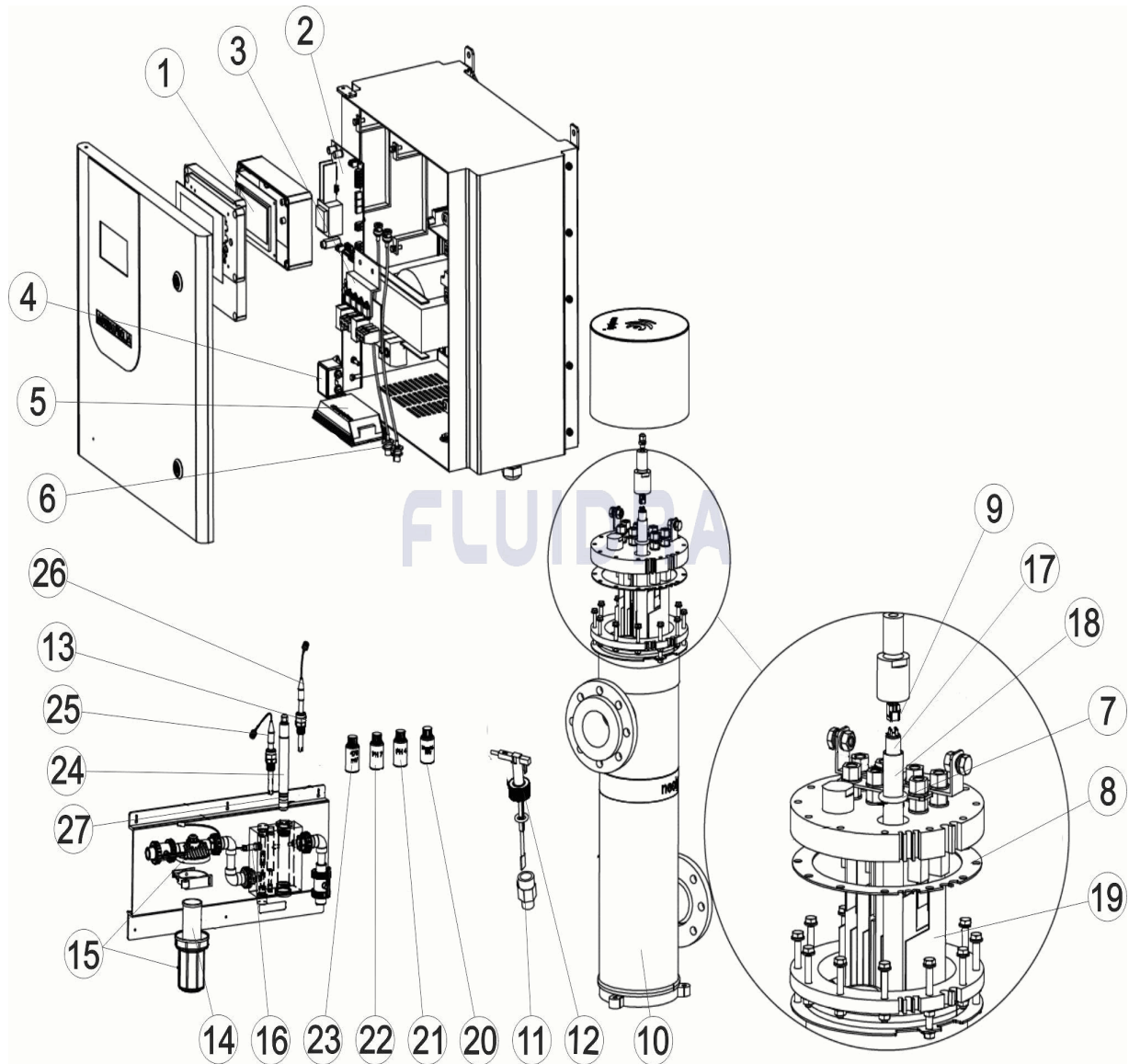
DESCRIZIONE: **SISTEMA NEOLISYS PISCINA COMMERCIALE NEO-50**

OSSERVAZIONI

POS	CODICE	OSSERVAZIONI
1	* 4408040150	PER: 57753, 57763 OLD MODEL
1	* 4408040151	PER: 57766 OLD MODEL
1	* 4408040457	PER: 57753, 57763 CURRENT MODEL
1	* 4408040458	PER: 57766
2	* 4408040080	PER: 57753
2	* 4408040081	PER: 57763, 57766
6	* 4408040088	PER: 57763, 57766
6	* 4408040089	PER: 57766
13	* 4408040604	PER: 57763, 57766
14	* 4408041537	PER: 57763, 57766
15	* 4408041538	PER: 57763, 57766
16	* 4408041541	PER: 57763, 57766
20	* 60646	PER: 57766
21	* 60632	PER: 57763, 57766
22	* 60618	PER: 57763, 57766
23	* 60633	PER: 57763
24	* 60645	PER: 57766
25	* 60648	PER: 57763, 57766
26	* 60649	PER: 57763

CODE 57753, 57763, 57766

BESCHREIBUNG: NEOLYSESYSTEM ÖFFENTLICHES BECKEN NEO-50



DEUTSCH

POS	CODE	BESCHREIBUNG	MENGE	POS	CODE	BESCHREIBUNG	MENGE
1	* 4408040150	TOUCHSCREEN NV1 EX		11	4408041210	REDUZIERSTÜCK GEWINDE 3/4" 1/2"	
1	* 4408040151	TOUCHSCREEN NV1 EX 2		12	71124	DURCHFLUSSMESSER	
1	* 4408040457	TOUCHSCREEN NEO V2		13	* 4408040604	ELEKTRODENSITZ PE 12 MM-1/2"	
1	* 4408040458	TOUCHSCREEN NEO PPM V2		14	* 4408041537	SONDENHALTERUNG FILTER WASCHBAR	
2	* 4408040080	STEUERPLATINE DV1 - 50 EX		15	* 4408041538	SONDENHALTERUNG E/S 1/2"	
2	* 4408040081	STEUERPLATINE DV1 - 50 EXT - 1/2		16	* 4408041541	INDUKTIVER DURCHFLUSSMESSER	
3	4408040087	LEISTUNGSPLATINE DV1 - 50		17	60608	LAMPE UV LP - 20 (1 X 75 W) UND LP30 V12	
4	4408041021	FILTER 230 V A-65/A-120 EX/PLUS		18	60631	QUARZRÖHRE UV LP - 20 - 25 - 30	
5	4408070062	VORSCHALTGERÄT LP 20, 25		19	61119	ERSATZTEIL ELEKTRODE NEOLYSE 50GR/I	
6	* 4408040088	SCHLAUCHLEITUNG BNC 0,7 AUSSEN		20	* 60646	ELEKTROLYT ECC1/GEL SONDE CL	
6	* 4408040089	SCHLAUCHLEITUNG BNC EXT-2 BNC A PV		21	* 60632	PUFFER PH 4,0 50 ML (ROT)	
7	4408070077	O-RING		22	* 60618	PUFFER PH 7,0 50 M/L (GRÜN)	
8	4408040135	DICHTUNG FLANSCH ZELLE NEOLYSE EPI		23	* 60633	KALIBRIERLÖSUNG 47 0MV	

CODE **57753, 57763, 57766**

BESCHREIBUNG: **NEOLYSESYSTEM ÖFFENTLICHES BECKEN NEO-50**

9	4408070059	STECKKUPPLUNG 4PIN	24	* 60645	FREICHLORMESSER
10	4408040136	ZELLE NEOLYSE ÖFFENTLICHES SCHWIM	25	* 60648	ELEKTRODE KOMBINIERT PH
26	* 60649	ORP-ELEKTRODE			

CODE **57753, 57763, 57766**

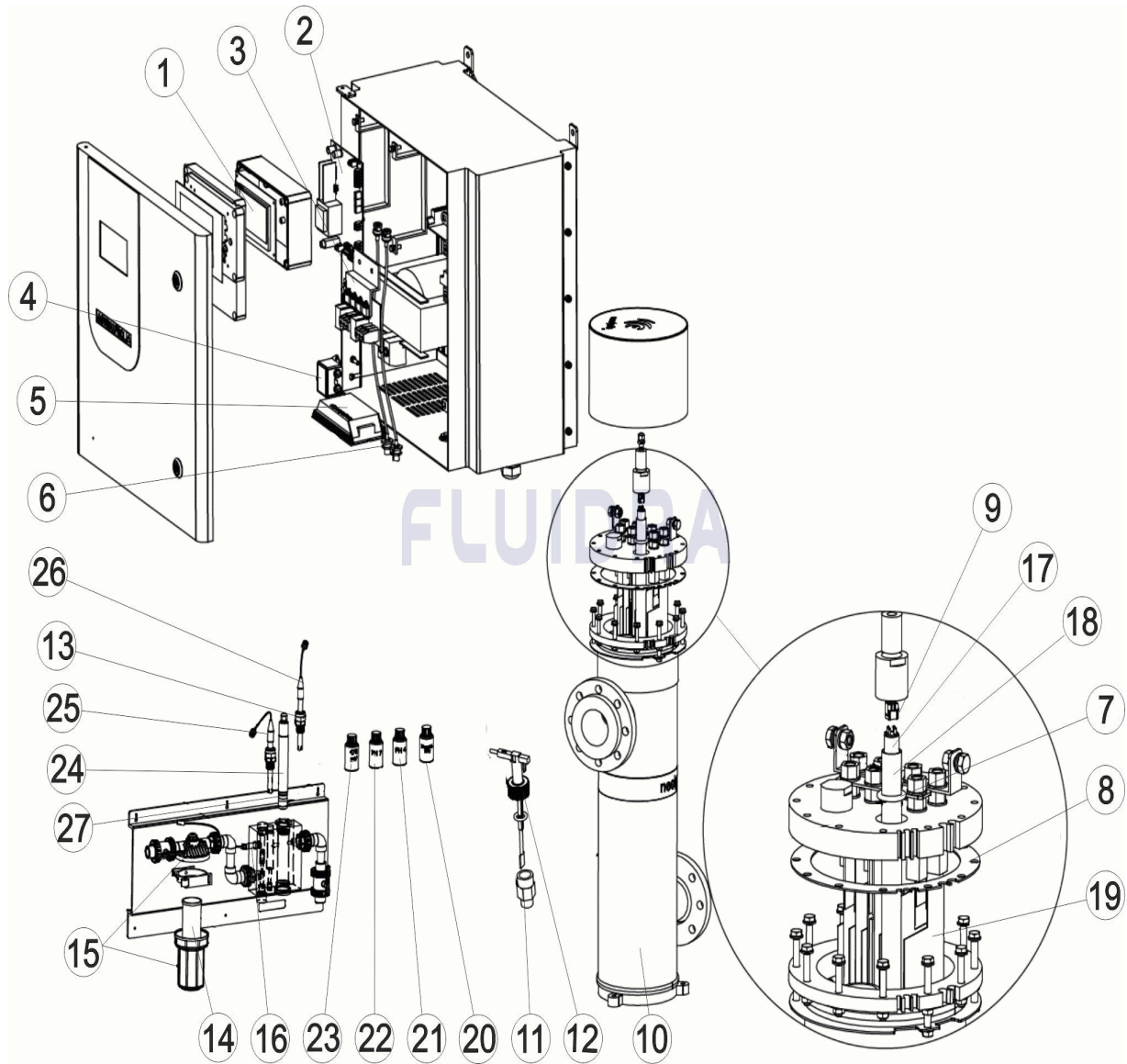
BESCHREIBUNG: **NEOLYSESYSTEM ÖFFENTLICHES BECKEN NEO-50**

HINWEISE

POS	CODE	HINWEISE
1	* 4408040150	FÜR: 57753, 57763 OLD MODEL
1	* 4408040151	FÜR: 57766 OLD MODEL
1	* 4408040457	FÜR: 57753, 57763 CURRENT MODEL
1	* 4408040458	FÜR: 57766
2	* 4408040080	FÜR: 57753
2	* 4408040081	FÜR: 57763, 57766
6	* 4408040088	FÜR: 57763, 57766
6	* 4408040089	FÜR: 57766
13	* 4408040604	FÜR: 57763, 57766
14	* 4408041537	FÜR: 57763, 57766
15	* 4408041538	FÜR: 57763, 57766
16	* 4408041541	FÜR: 57763, 57766
20	* 60646	FÜR: 57766
21	* 60632	FÜR: 57763, 57766
22	* 60618	FÜR: 57763, 57766
23	* 60633	FÜR: 57763
24	* 60645	FÜR: 57766
25	* 60648	FÜR: 57763, 57766
26	* 60649	FÜR: 57763

CODIGO 57753, 57763, 57766

DESCRIÇÃO: SISTEMA NEOLYSIS PISCINA COMERCIAL NEO-50



PORTUGUES

POS	CODIGO	DESCRIÇÃO	JANTIDADE	POS	CODIGO	DESCRIÇÃO	JANTIDADE
1	* 4408040150	PLACA VISUALIZAÇÃO ELECTRÓLISE NV1		11	4408041210	UNIÃO PE 1/2" - 3/4"	
1	* 4408040151	PLACA VISUALIZAÇÃO ELECTRÓLISE NV1		12	71124	FLUXO-ESTATO	
1	* 4408040457	PLACA VISUALIZAÇÃO ELECTRÓLISE NEO		13	* 4408040604	PORTAELECTRODOS PE 12M/M-1/2"	
1	* 4408040458	PLACA VISUALIZAÇÃO ELECTRÓLISE NEO		14	* 4408041537	FILTRO PORTA-SONDAS LAVÁVEL	
2	* 4408040080	PLACA CONTROLO DV1-50 EX		15	* 4408041538	PORTA-SONDAS E/S 1/2"	
2	* 4408040081	PLACA CONTROLO DV1-50 EXT-1/2		16	* 4408041541	SONDA DE CAUDAL INDUTIVA	
3	4408040087	TARJETA POTÊNCIA DV1-50		17	60608	LÂMPADA UV LP-20 (1X75W) Y LP30 V12 (2)	
4	4408041021	FILTRO 230V A-65/A-120 EX/PLUS		18	60631	TUBO DE QUARZO LP 20, 25, 30	
5	4408070062	BALASTRO LP 20, 25		19	61119	SOBRESSALENTE ELÉCTRODO NEOLYSIS	
6	* 4408040088	CABO BNC 0,7		20	* 60646	ELECTROLITO	
6	* 4408040089	CABO BNC EXT-2 BNC A PVA 24V		21	* 60632	SOLUÇÃO TAMPÃO PH 4,0 50 ML. (VERMEL	
7	4408070077	JUNTA TÓRICA		22	* 60618	SOLUÇÃO TAMPÃO PH 7,0 50 M/L. (VERDE)	
8	4408040135	JUNTA CELULA NEOLYSIS EPDM		23	* 60633	SOLUÇÃO TAMPÃO 470 MV	

* VEJA A FICHA DE OBSERVAÇÕES

CODIGO **57753, 57763, 57766**

DESCRIÇÃO: **SISTEMA NEOLYSIS PISCINA COMERCIAL NEO-50**

9	4408070059	LIGAÇÃO 4PIN	24	* 60645	SONDA DE CLORO LIVRE
10	4408040136	CÉLULA NEOLYSIS	25	* 60648	ELECTRODO COMBINADO PH
26	* 60649	ELECTRODO ORP			

CODIGO **57753, 57763, 57766**

DESCRIÇÃO: **SISTEMA NEOLYSIS PISCINA COMERCIAL NEO-50**

OBSERVAÇÕES

POS	CODIGO	OBSERVAÇÕES
1	* 4408040150	PARA: 57753, 57763 OLD MODEL
1	* 4408040151	PARA: 57766 OLD MODEL
1	* 4408040457	PARA: 57753, 57763 CURRENT MODEL
1	* 4408040458	PARA: 57766
2	* 4408040080	PARA: 57753
2	* 4408040081	PARA: 57763, 57766
6	* 4408040088	PARA: 57763, 57766
6	* 4408040089	PARA: 57766
13	* 4408040604	PARA: 57763, 57766
14	* 4408041537	PARA: 57763, 57766
15	* 4408041538	PARA: 57763, 57766
16	* 4408041541	PARA: 57763, 57766
20	* 60646	PARA: 57766
21	* 60632	PARA: 57763, 57766
22	* 60618	PARA: 57763, 57766
23	* 60633	PARA: 57763
24	* 60645	PARA: 57766
25	* 60648	PARA: 57763, 57766
26	* 60649	PARA: 57763