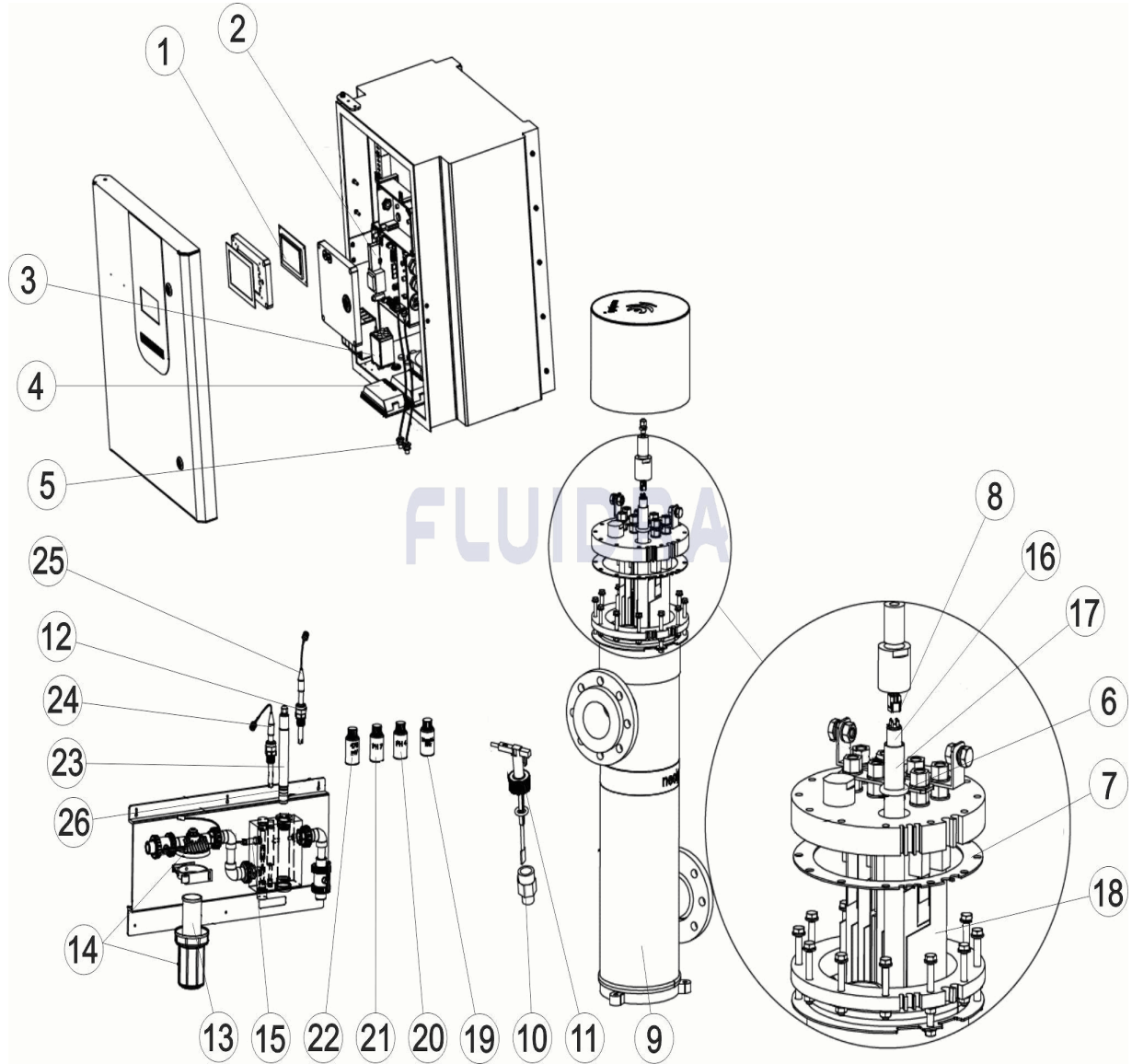


CODIGO **57761, 57764, 57767**

DESCRIPCION: **SISTEMA NEOLYSIS PISCINA COMERCIAL NEO-80**



ESPAÑOL

POS	CODIGO	DESCRIPCION	CANTIDAD	POS	CODIGO	DESCRIPCION	CANTIDAD
1	* 4408040150	TARGETA VISUALIZADORA TACTIL NV1 EX		11	71124	FLUJOSTATO	
1	* 4408040151	TARGETA VISUALIZADORA TACTIL NV1 EX:		12	* 4408040604	PORTAELECTRODOS PE 12M/M-1/2"	
1	* 4408040457	TARGETA VISUALIZADORA TACTIL NEO V2		13	* 4408041537	FILTRO PORTASONDAS LAVABLE	
1	* 4408040458	TARGETA VISUALIZADORA TACTIL NEO PP		14	* 4408041538	PORTASONDAS E/S 1/2"	
2	* 4408040138	PLACA CONTROL D80 V1		15	* 4408041541	SENSOR INDUCTIVO DE CAUDAL	
2	* 4408040143	PLACA CONTROL D80+ V1		16	60631	CUARZO UV LP-20-25-30	
3	4408041021	FILTRO 230V A-65/A-120 EX/PLUS		17	60609	LAMPARA UV LP-25	
4	4408070062	BALASTRO LP 20, 25		18	61120	RECAMBIO ELECTRODO NEOLYSIS 80GR/1	
5	* 4408040088	LATIGUILLO BNC 0,7 EXTERNO		19	* 60646	ELECTROLITO ECC1/GEL SONDA CL	
5	* 4408040089	LATIGUILLO BNC EXT-2 BNC A PVA 24V		20	* 60632	TAMPON PH 4,0 50 ML. (ROJO)	
6	4408070077	JUNTA TORICA		21	* 60618	TAMPON PH 7,0 50 M/L. (VERDE)	
7	4408040135	JUNTA BRIDA CELULA NEOLYSIS EPDM		22	* 60633	SOLUCION CALIBRACION 470MV.	
8	4408070059	CONECTOR 4PIN		23	* 60645	SENSOR CLORO LIBRE	

*** NOTA OBSERVACIONES**

CODIGO **57761, 57764, 57767**

DESCRIPCION: **SISTEMA NEOLYSIS PISCINA COMERCIAL NEO-80**

9	4408040136	CELULA NEOLYSIS PIS. COMER.	24	* 60648	ELECTRODO COMBINADO PH
10	4408041210	REDUCCION ROSCADA 3/4" 1/2"	25	* 60649	ELECTRODO ORP
26	* 60647	CABEZAL MEMBRANA SENSOR CLORO LIE			

CODIGO 57761, 57764, 57767

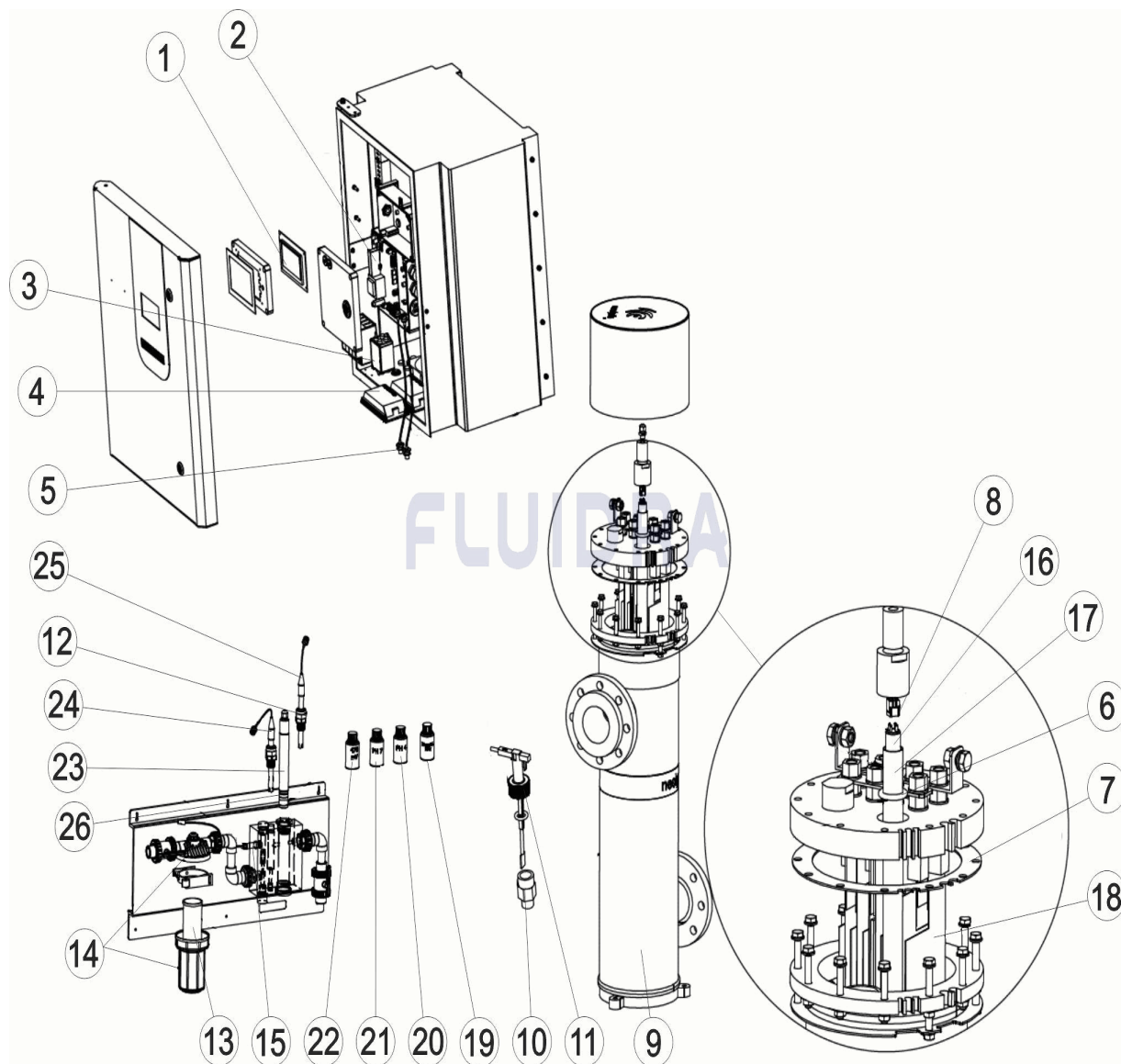
DESCRIPCION: SISTEMA NEOLYSIS PISCINA COMERCIAL NEO-80

OBSERVACIONES

POS	CODIGO	OBSERVACIONES
1	* 4408040150	PARA: 57761, 57764 OLD MODEL
1	* 4408040151	PARA: 57767 OLD MODEL
1	* 4408040457	PARA: 57761, 57764 CURRENT MODEL
1	* 4408040458	PARA: 57767 CURRENT MODEL
2	* 4408040138	PARA: 57761
2	* 4408040143	PARA: 57764, 57767
5	* 4408040088	PARA: 57764, 57767
5	* 4408040089	PARA: 57767
12	* 4408040604	PARA: 57764, 57767
13	* 4408041537	PARA: 57764, 57767
14	* 4408041538	PARA: 57764, 57767
15	* 4408041541	PARA: 57764, 57767
19	* 60646	PARA: 57767
20	* 60632	PARA: 57764, 57767
21	* 60618	PARA: 57764, 57767
22	* 60633	PARA: 57764
23	* 60645	PARA: 57767
24	* 60648	PARA: 57764, 57767
25	* 60649	PARA: 57764
26	* 60647	PARA: 57767

CODE 57761, 57764, 57767

DESCRIPTION: SYSTÈME NEOLYSIS PISCINE COMMERCIALE NEO-80



FRANCAIS

POS	CODE	DESCRIPTION	QUANTITE	POS	CODE	DESCRIPTION	QUANTITE
1	* 4408040150	CARTE AFFICHEUR ÉLECTROLYSE NV1 E)		11	71124	CONTROLEUR DE DEBIT	
1	* 4408040151	CARTE AFFICHEUR ÉLECTROLYSE NV1 E)		12	* 4408040604	PORTE-ÉLECTRODE PE 12M/M. 1/2"	
1	* 4408040457	CARTE AFFICHEUR ÉLECTROLYSE NEO V.		13	* 4408041537	FILTRE PORTE-SONDES LAVABLE	
1	* 4408040458	CARTE AFFICHEUR ÉLECTROLYSE NEO PI		14	* 4408041538	PORTE-SONDES E/S 1/2"	
2	* 4408040138	PLAQUE CONTRÔLE D80 V1		15	* 4408041541	SONDE DE DÉBIT INDUCTIVE	
2	* 4408040143	PLAQUE CONTRÔLE D80+ V1		16	60631	GAINÉ QUARTZ LP 20, 25, 30	
3	4408041021	FILTRE 230V A-65/A-120 EX/PLUS		17	60609	LAMPE UV LP-25	
4	4408070062	BALLAST LP 20, 25		18	61120	RECHANGE ÉLECTRODE NEOLYSIS 80GR/I	
5	* 4408040088	CÂBLE BNC 0,7		19	* 60646	ELECTROLYTE	
5	* 4408040089	CÂBLE BNC EXT-2 BNC A PVA 24V		20	* 60632	TAMPON PH 4,0 50 ML. (ROUGE)	
6	4408070077	JOINT TORIQUE		21	* 60618	TAMPON PH 7,0 50 M/L. (VERT)	
7	4408040135	JOINT CELLULE NEOLYSIS EPDM		22	* 60633	SOLUTION CALIBRAGE 470 MV	
8	4408070059	CONNECTEUR 4PIN		23	* 60645	SONDE DE CHLORE LIBRE	

* VOIR FICHE D'OBSERVATIONS

CODE **57761, 57764, 57767**

DESCRIPTION: **SYSTÈME NEOLYSIS PISCINE COMMERCIALE NEO-80**

9	4408040136	CELLULE NEOLYSIS	24	* 60648	ELECTRODE COMBINÉE PH
10	4408041210	MANCHON PE 1/2" - 3/4"	25	* 60649	ELECTRODE ORP
26	* 60647	CAPSULE MEMBRANE POUR SONDE CHL			

CODE **57761, 57764, 57767**

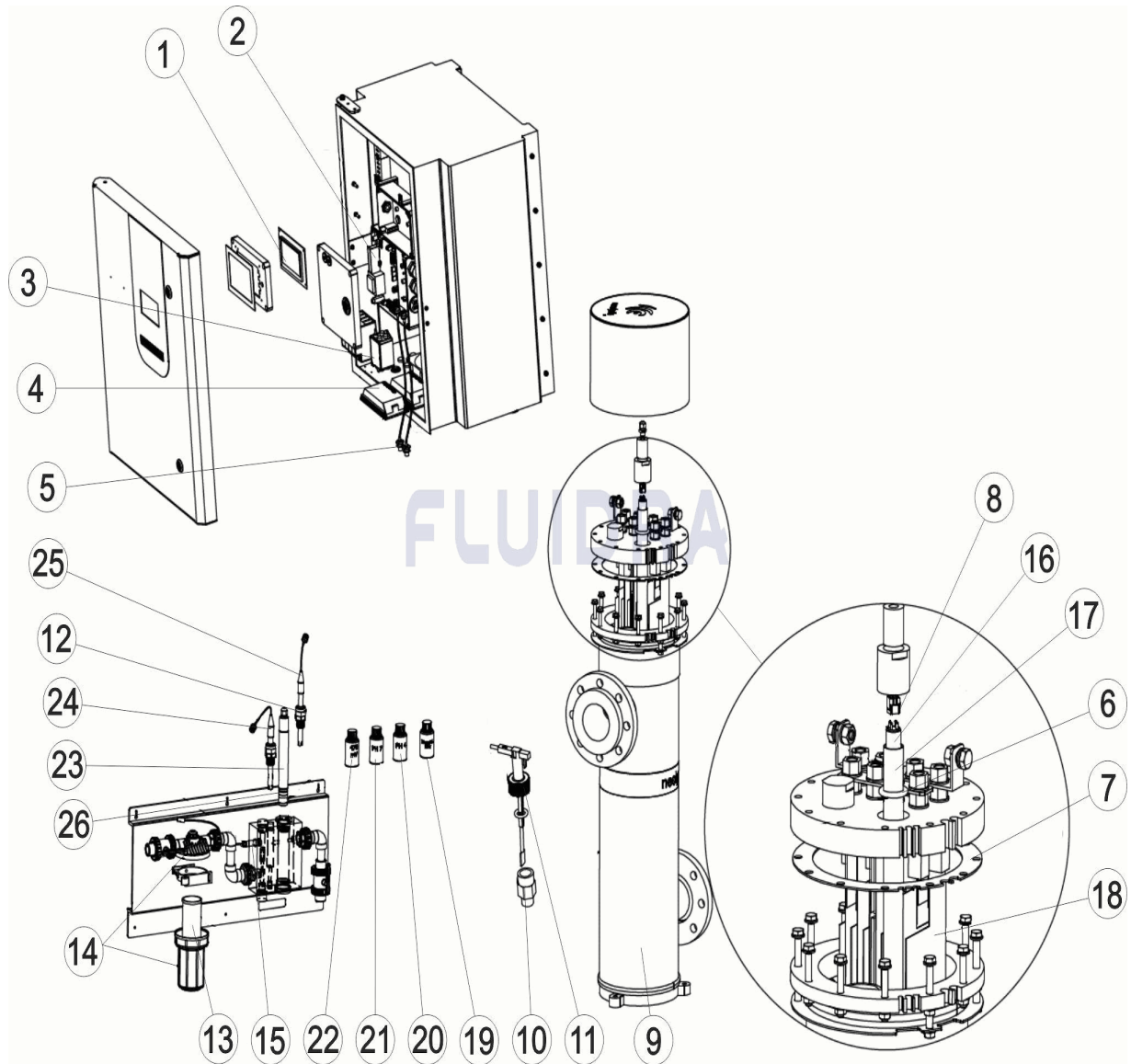
DESCRIPTION: **SYSTÈME NEOLYSIS PISCINE COMMERCIALE NEO-80**

OBSERVATIONS

POS	CODE	OBSERVATIONS
1	* 4408040150	POUR: 57761, 57764 OLD MODEL
1	* 4408040151	POUR: 57767 OLD MODEL
1	* 4408040457	POUR: 57761, 57764 CURRENT MODEL
1	* 4408040458	POUR: 57767 CURRENT MODEL
2	* 4408040138	POUR: 57761
2	* 4408040143	POUR: 57764, 57767
5	* 4408040088	POUR: 57764, 57767
5	* 4408040089	POUR: 57767
12	* 4408040604	POUR: 57764, 57767
13	* 4408041537	POUR: 57764, 57767
14	* 4408041538	POUR: 57764, 57767
15	* 4408041541	POUR: 57764, 57767
19	* 60646	POUR: 57767
20	* 60632	POUR: 57764, 57767
21	* 60618	POUR: 57764, 57767
22	* 60633	POUR: 57764
23	* 60645	POUR: 57767
24	* 60648	POUR: 57764, 57767
25	* 60649	POUR: 57764
26	* 60647	POUR: 57767

CODE **57761, 57764, 57767**

DESCRIPTION: **NEOLYSIS SYSTEM FOR COMMERCIAL POOL NEO-80**



ENGLISH

POS	CODE	DESCRIPTION	QUANTITY	POS	CODE	DESCRIPTION	QUANTITY
1	* 4408040150	NV1 EX ELECTROLYSIS VIEWER CARD		11	71124	WATER FLOW SWITCH	
1	* 4408040151	NV1 EX2 ELECTROLYSIS VIEWER CARD		12	* 4408040604	ELECTRODE CARRIER PE 12M/M.-1/2"	
1	* 4408040457	NEO V2 ELECTROLYSIS VIEWER CARD		13	* 4408041537	WASHABLE MAXIM CELL FILTER	
1	* 4408040458	NEO PPM V2 ELECTROLYSIS VIEWER CAF		14	* 4408041538	MAXIM CELL E/S 1/2"	
2	* 4408040138	ELECTRONIC CARD D80 V1		15	* 4408041541	INDUCTIVE FLOW SENSOR	
2	* 4408040143	ELECTRONIC CARD D80+ V1		16	60631	QUARTZ SLEEVE LP 20, 25, 30	
3	4408041021	FILTER 230V A-65/A-120 EX/PLUS		17	60609	LAMPELC UV LP-25	
4	4408070062	BALLAST LP 20, 25		18	61120	ELECTRODE SPARE NEOLYSIS 80GR/H+ U ¹	
5	* 4408040088	BNC 0,7 EX CABLE		19	* 60646	ELECTROLITE	
5	* 4408040089	EXT-2 BNC A PVA 24V CABLE		20	* 60632	CALIBRATION SOLUTION PH 4,0 50 ML. (RE	
6	4408070077	O' RING		21	* 60618	CALIBRATION SOLUTION PH 7,0 50 M/L. (GF	
7	4408040135	CELL GASKET NEOLYSIS EPDM		22	* 60633	CALIBRATION SOLUTION ORP 470 MV	
8	4408070059	4PIN CONNECTOR		23	* 60645	FREE CHLORINE SENSOR	

* SEE OBSERVATIONS SHEET

CODE **57761, 57764, 57767**

DESCRIPTION: **NEOLYSIS SYSTEM FOR COMMERCIAL POOL NEO-80**

9	4408040136	NEOLYSIS CELL	24	* 60648	ELECTRODE PH
10	4408041210	ADAPTOR SOCKET PE 1/2" - 3/4	25	* 60649	ORP ELECTRODE
26	* 60647	MEMBRANE CAP FOR FREE CHLORINE SE			

CODE **57761, 57764, 57767**

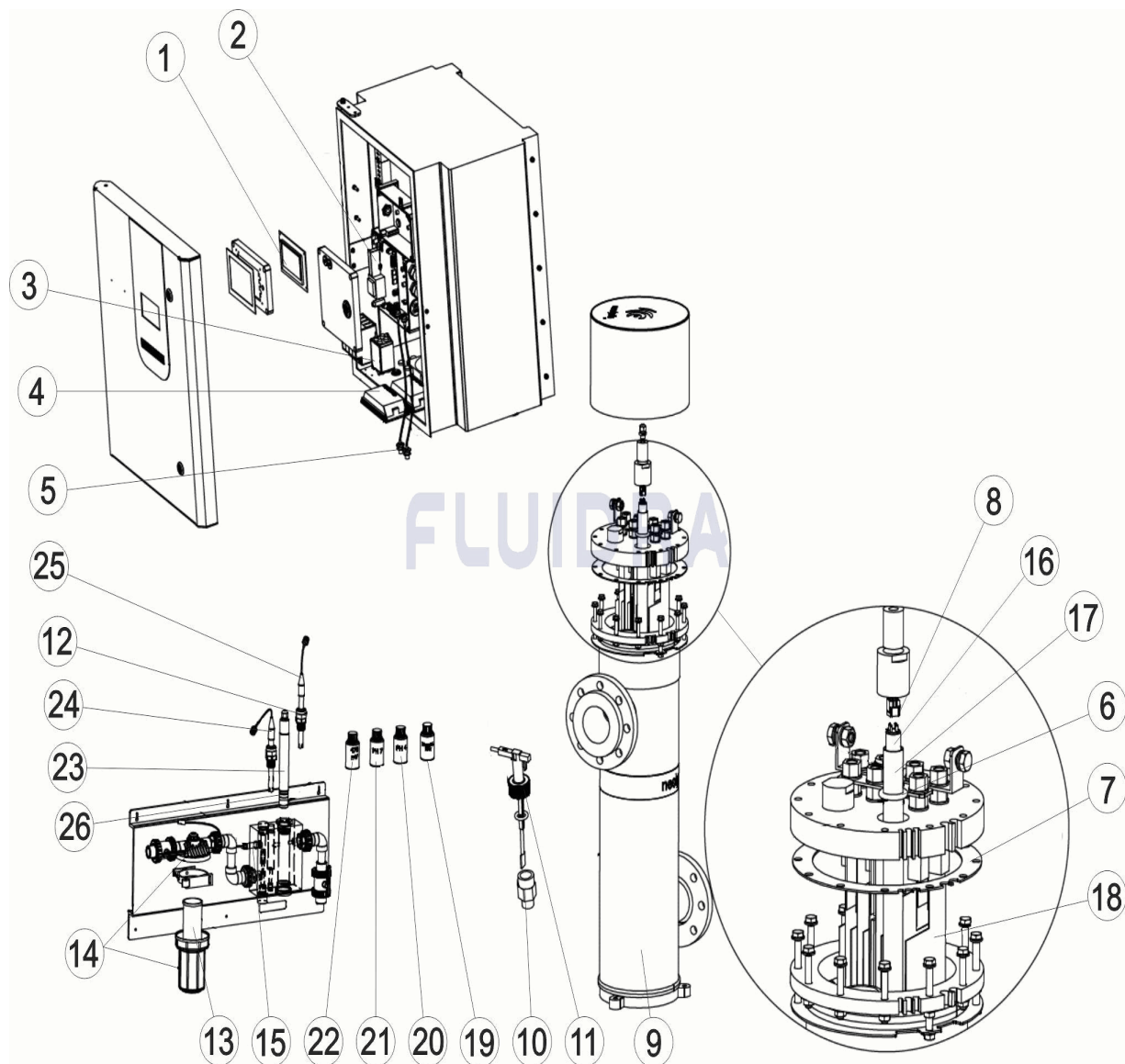
DESCRIPTION: **NEOLYSIS SYSTEM FOR COMMERCIAL POOL NEO-80**

OBSERVATIONS

POS	CODE	OBSERVATIONS
1	* 4408040150	FOR: 57761, 57764 OLD MODEL
1	* 4408040151	FOR: 57767 OLD MODEL
1	* 4408040457	FOR: 57761, 57764 CURRENT MODEL
1	* 4408040458	FOR: 57767 CURRENT MODEL
2	* 4408040138	FOR: 57761
2	* 4408040143	FOR: 57764, 57767
5	* 4408040088	FOR: 57764, 57767
5	* 4408040089	FOR: 57767
12	* 4408040604	FOR: 57764, 57767
13	* 4408041537	FOR: 57764, 57767
14	* 4408041538	FOR: 57764, 57767
15	* 4408041541	FOR: 57764, 57767
19	* 60646	FOR: 57767
20	* 60632	FOR: 57764, 57767
21	* 60618	FOR: 57764, 57767
22	* 60633	FOR: 57764
23	* 60645	FOR: 57767
24	* 60648	FOR: 57764, 57767
25	* 60649	FOR: 57764
26	* 60647	FOR: 57767

CODICE 57761, 57764, 57767

DESCRIZIONE: SISTEMA NEOLISYS PISCINA COMMERCIALE NEO-80



ITALIANO

POS	CODICE	DESCRIZIONE	QUANTITA'	POS	CODICE	DESCRIZIONE	QUANTITA'
1	* 4408040150	SCHEDA VISORE ELETTROLISI NV1 EX		11	71124	FLUSSOSTATO	
1	* 4408040151	SCHEDA VISORE ELETTROLISI NV1 EX2		12	* 4408040604	PORTAELETTODO PE 12M/M. X 1/2"	
1	* 4408040457	SCHEDA VISORE ELETTROLISI NEO V2		13	* 4408041537	FILTRO PORTA-SONDE LAVABILE	
1	* 4408040458	SCHEDA VISORE ELETTROLISI NEO PPM \		14	* 4408041538	PORTA-SONDE E/S 1/2"	
2	* 4408040138	SCHEDA D80 V1		15	* 4408041541	SONDA DI FLUSSO INDUTTIVA	
2	* 4408040143	SCHEDA D80+ V1		16	60631	GUAINA DI QUARZO LP 20, 25, 30	
3	4408041021	FILTRE 230V A-65/A-120 EX/PLUS		17	60609	LAMPADA UV LP-25	
4	4408070062	REGOLATORE DI CORRENTE LP 20, 25		18	61120	RECAMBIO ELETTRODO NEOLYSIS 80GR/H	
5	* 4408040088	CAVO BNC 0,7		19	* 60646	ELETTROLITO	
5	* 4408040089	CAVO BNC EXT-2 BNC A PVA 24V		20	* 60632	SOLUCIONE TAMPONE PH 4,0 50 ML. (ROS)	
6	4408070077	O-RING		21	* 60618	SOLUCIONE TAMPONE PH 7,0 50 M/L. (VER)	
7	4408040135	GIUNTA CELLULA NEOLYSIS EPDM		22	* 60633	SOLUCIONE CALIBRAZIONE 470MV.	
8	4408070059	CONNETTORE 4910		23	* 60645	SONDA DI CLORO LIBERO	

* SI FACCIA RIFERIMENTO AL FOGLIO DELLE OSSERVAZIONI

CODICE **57761, 57764, 57767**

DESCRIZIONE: **SISTEMA NEOLISYS PISCINA COMMERCIALE NEO-80**

9	4408040136	CELLULA NEOLISIS	24	* 60648	ELETTRODO COMBINATO PH
10	4408041210	MANICOTTO PE 1/2" - 3/4"	25	* 60649	ELETTRODO RX
26	* 60647	TAPPO MEMBRANA PER Sonda CLORO LI			

CODICE **57761, 57764, 57767**

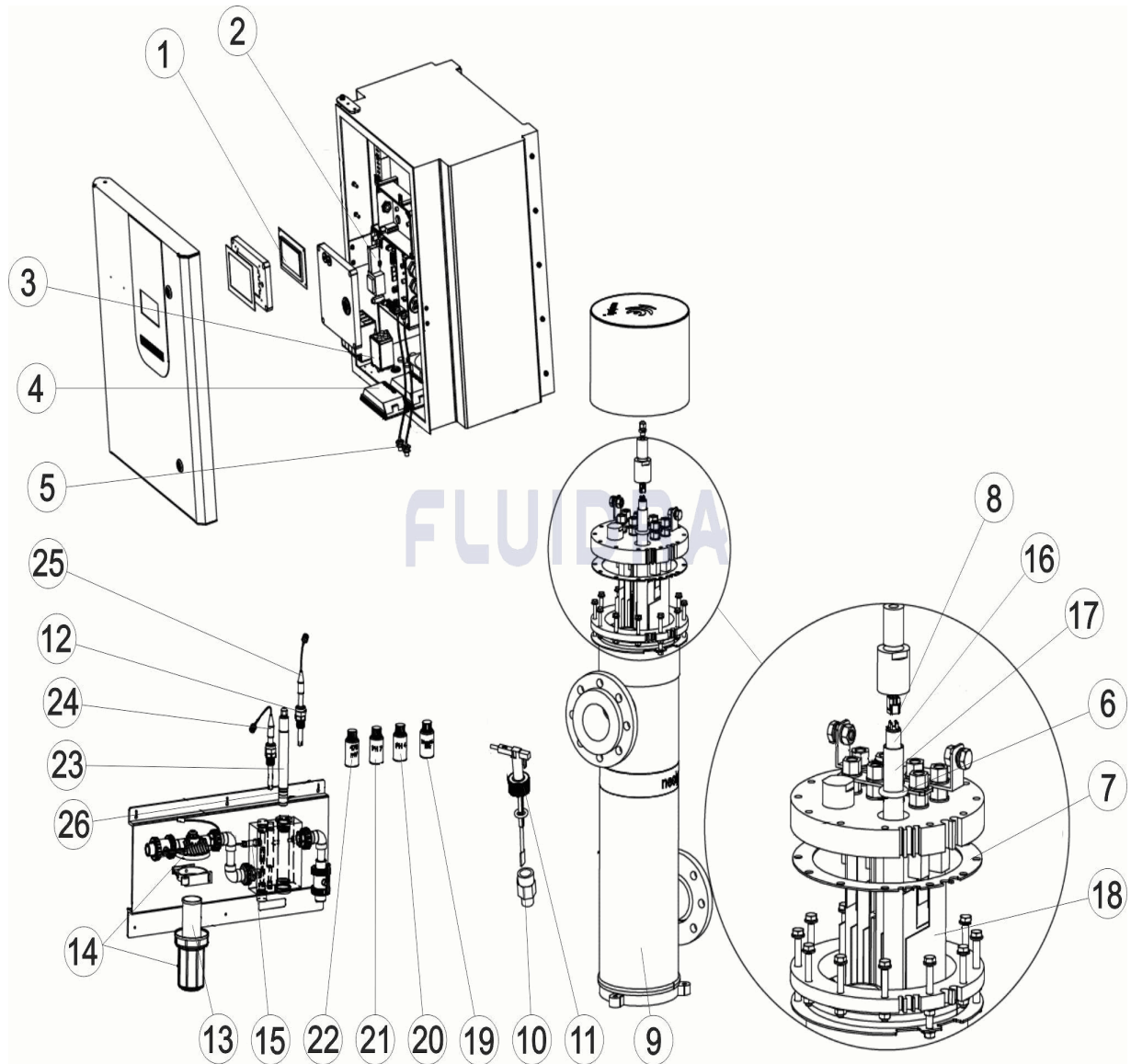
DESCRIZIONE: **SISTEMA NEOLISYS PISCINA COMMERCIALE NEO-80**

OSSERVAZIONI

POS	CODICE	OSSERVAZIONI
1	* 4408040150	PER: 57761, 57764 OLD MODEL
1	* 4408040151	PER: 57767 OLD MODEL
1	* 4408040457	PER: 57761, 57764 CURRENT MODEL
1	* 4408040458	PER: 57767 CURRENT MODEL
2	* 4408040138	PER: 57761
2	* 4408040143	PER: 57764, 57767
5	* 4408040088	PER: 57764, 57767
5	* 4408040089	PER: 57767
12	* 4408040604	PER: 57764, 57767
13	* 4408041537	PER: 57764, 57767
14	* 4408041538	PER: 57764, 57767
15	* 4408041541	PER: 57764, 57767
19	* 60646	PER: 57767
20	* 60632	PER: 57764, 57767
21	* 60618	PER: 57764, 57767
22	* 60633	PER: 57764
23	* 60645	PER: 57767
24	* 60648	PER: 57764, 57767
25	* 60649	PER: 57764
26	* 60647	PER: 57767

CODE 57761, 57764, 57767

BESCHREIBUNG: NEOLYSESYSTEM ÖFFENTLICHES BECKEN NEO-80



DEUTSCH

POS	CODE	BESCHREIBUNG	MENGE	POS	CODE	BESCHREIBUNG	MENGE
1	* 4408040150	TOUCHSCREEN NV1 EX		11	71124	DURCHFLUSSMESSER	
1	* 4408040151	TOUCHSCREEN NV1 EX 2		12	* 4408040604	ELEKTRODENSITZ PE 12 MM-1/2"	
1	* 4408040457	TOUCHSCREEN NEO V2		13	* 4408041537	SONDENHALTERUNG FILTER WASCHBAR	
1	* 4408040458	TOUCHSCREEN NEO PPM V2		14	* 4408041538	SONDENHALTERUNG E/S 1/2"	
2	* 4408040138	STEUERPLATINE D80 V1		15	* 4408041541	INDUKTIVER DURCHFLUSSMESSER	
2	* 4408040143	STEUERPLATINE D80+ V1		16	60631	QUARZRÖHRE UV LP - 20 - 25 - 30	
3	4408041021	FILTER 230 V A-65/A-120 EX/PLUS		17	60609	LAMPE UV LP - 25	
4	4408070062	VORSCHALTGERÄT LP 20, 25		18	61120	ERSATZTEIL ELEKTRODE NEOLYSE 80GR/I	
5	* 4408040088	SCHLAUCHLEITUNG BNC 0,7 AUSSEN		19	* 60646	ELEKTROLYT ECC1/GEL SONDE CL	
5	* 4408040089	SCHLAUCHLEITUNG BNC EXT-2 BNC A PV		20	* 60632	PUFFER PH 4,0 50 ML (ROT)	
6	4408070077	O-RING		21	* 60618	PUFFER PH 7,0 50 M/L (GRÜN)	
7	4408040135	DICHTUNG FLANSCH ZELLE NEOLYSE EPI		22	* 60633	KALIBRIERLÖSUNG 47 0MV	
8	4408070059	STECKKUPPLUNG 4PIN		23	* 60645	FREICHLORMESSER	

* SIEHE ANMERKUNGSBLATT

CODE **57761, 57764, 57767**

BESCHREIBUNG: **NEOLYSESYSTEM ÖFFENTLICHES BECKEN NEO-80**

9	4408040136	ZELLE NEOLYSE ÖFFENTLICHES SCHWIM	24	* 60648	ELEKTRODE KOMBINIERT PH
10	4408041210	REDUZIERSTÜCK GEWINDE 3/4" 1/2"	25	* 60649	ORP-ELEKTRODE
26	* 60647	KOPFSTÜCK MEMBRAN FREICHLORMESS			

CODE **57761, 57764, 57767**

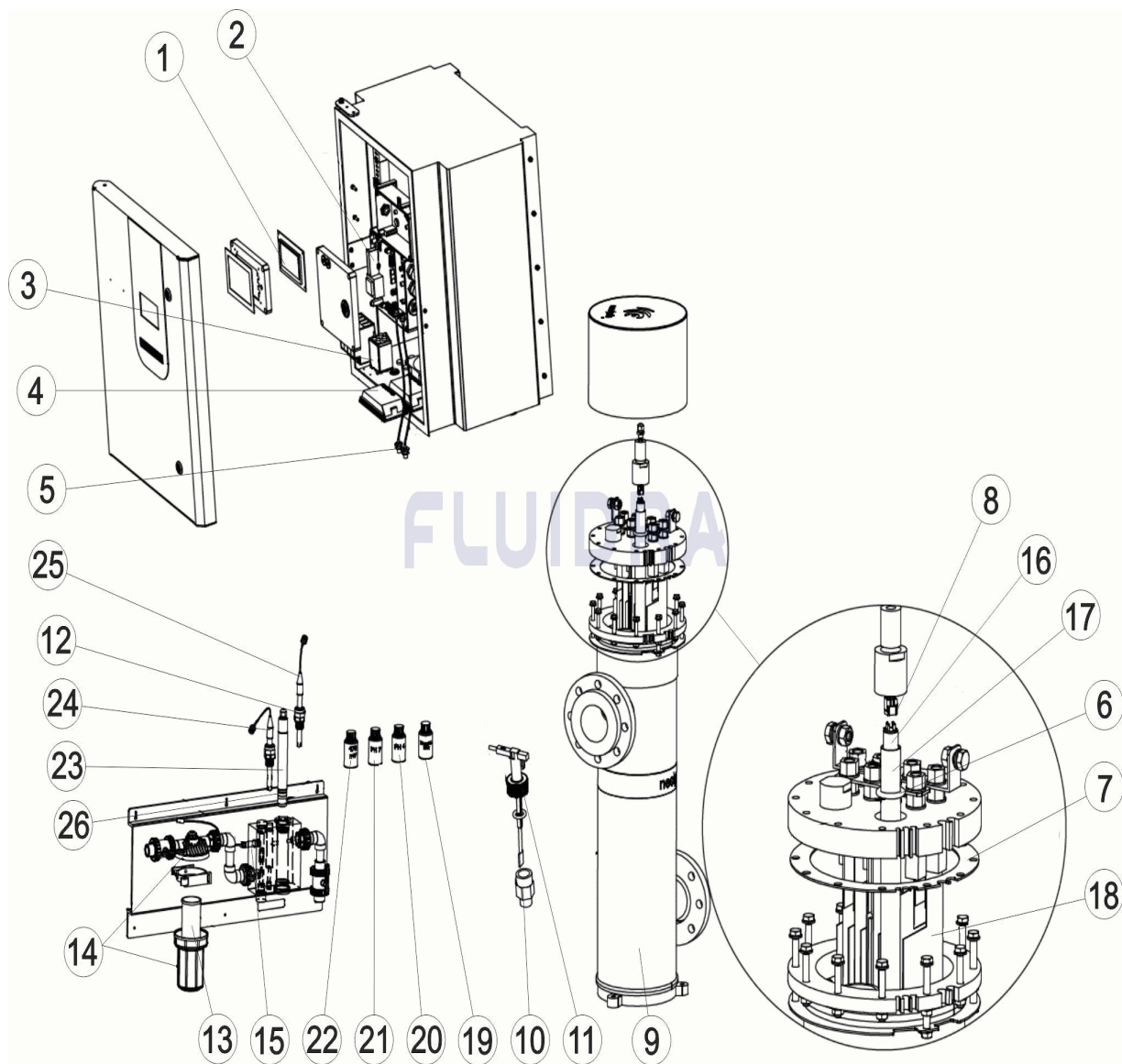
BESCHREIBUNG: **NEOLYSESYSTEM ÖFFENTLICHES BECKEN NEO-80**

HINWEISE

POS	CODE	HINWEISE
1	* 4408040150	FÜR: 57761, 57764 OLD MODEL
1	* 4408040151	FÜR: 57767 OLD MODEL
1	* 4408040457	FÜR: 57761, 57764 CURRENT MODEL
1	* 4408040458	FÜR: 57767 CURRENT MODEL
2	* 4408040138	FÜR: 57761
2	* 4408040143	FÜR: 57764, 57767
5	* 4408040088	FÜR: 57764, 57767
5	* 4408040089	FÜR: 57767
12	* 4408040604	FÜR: 57764, 57767
13	* 4408041537	FÜR: 57764, 57767
14	* 4408041538	FÜR: 57764, 57767
15	* 4408041541	FÜR: 57764, 57767
19	* 60646	FÜR: 57767
20	* 60632	FÜR: 57764, 57767
21	* 60618	FÜR: 57764, 57767
22	* 60633	FÜR: 57764
23	* 60645	FÜR: 57767
24	* 60648	FÜR: 57764, 57767
25	* 60649	FÜR: 57764
26	* 60647	FÜR: 57767

CODIGO 57761, 57764, 57767

DESCRIÇÃO: SISTEMA NEOLYSIS PISCINA COMERCIAL NEO-80



PORTUGUES

POS	CODIGO	DESCRIÇÃO	JANTIDADE	POS	CODIGO	DESCRIÇÃO	JANTIDADE
1	* 4408040150	PLACA VISUALIZAÇÃO ELECTRÓLISE NV1		11	71124	FLUXO-ESTATO	
1	* 4408040151	PLACA VISUALIZAÇÃO ELECTRÓLISE NV1		12	* 4408040604	PORTAELECTRODOS PE 12M/M-1/2"	
1	* 4408040457	PLACA VISUALIZAÇÃO ELECTRÓLISE NEO		13	* 4408041537	FILTRO PORTA-SONDAS LAVÁVEL	
1	* 4408040458	PLACA VISUALIZAÇÃO ELECTRÓLISE NEO		14	* 4408041538	PORTA-SONDAS E/S 1/2"	
2	* 4408040138	PLACA CONTROLO D80 V1		15	* 4408041541	SONDA DE CAUDAL INDUTIVA	
2	* 4408040143	PLACA CONTROLO D80+ V1		16	60631	TUBO DE QUARZO LP 20, 25, 30	
3	4408041021	FILTRO 230V A-65/A-120 EX/PLUS		17	60609	LÂMPADA UV LP-25	
4	4408070062	BALASTRO LP 20, 25		18	61120	SOBRESSALENTE ELÉCTRODO NEOLYSIS	
5	* 4408040088	CABO BNC 0,7		19	* 60646	ELECTROLITO	
5	* 4408040089	CABO BNC EXT-2 BNC A PVA 24V		20	* 60632	SOLUÇÃO TAMPÃO PH 4,0 50 ML. (VERMEL	
6	4408070077	JUNTA TÓRICA		21	* 60618	SOLUÇÃO TAMPÃO PH 7,0 50 M/L. (VERDE)	
7	4408040135	JUNTA CELULA NEOLYSIS EPDM		22	* 60633	SOLUÇÃO TAMPÃO 470 MV	
8	4408070059	LIGAÇÃO 4PIN		23	* 60645	SONDA DE CLORO LIVRE	

CODIGO **57761, 57764, 57767**

DESCRIÇÃO: **SISTEMA NEOLYSIS PISCINA COMERCIAL NEO-80**

9	4408040136	CÉLULA NEOLYSIS	24	* 60648	ELECTRODO COMBINADO PH
10	4408041210	UNIÃO PE 1/2" - 3/4"	25	* 60649	ELECTRODO ORP
26	* 60647	CÁPSULA MEMBRANA PARA SONDA CLOR			

CODIGO **57761, 57764, 57767**

DESCRIÇÃO: **SISTEMA NEOLYSIS PISCINA COMERCIAL NEO-80**

OBSERVAÇÕES

POS	CODIGO	OBSERVAÇÕES
1	* 4408040150	PARA: 57761, 57764 OLD MODEL
1	* 4408040151	PARA: 57767 OLD MODEL
1	* 4408040457	PARA: 57761, 57764 CURRENT MODEL
1	* 4408040458	PARA: 57767 CURRENT MODEL
2	* 4408040138	PARA: 57761
2	* 4408040143	PARA: 57764, 57767
5	* 4408040088	PARA: 57764, 57767
5	* 4408040089	PARA: 57767
12	* 4408040604	PARA: 57764, 57767
13	* 4408041537	PARA: 57764, 57767
14	* 4408041538	PARA: 57764, 57767
15	* 4408041541	PARA: 57764, 57767
19	* 60646	PARA: 57767
20	* 60632	PARA: 57764, 57767
21	* 60618	PARA: 57764, 57767
22	* 60633	PARA: 57764
23	* 60645	PARA: 57767
24	* 60648	PARA: 57764, 57767
25	* 60649	PARA: 57764
26	* 60647	PARA: 57767