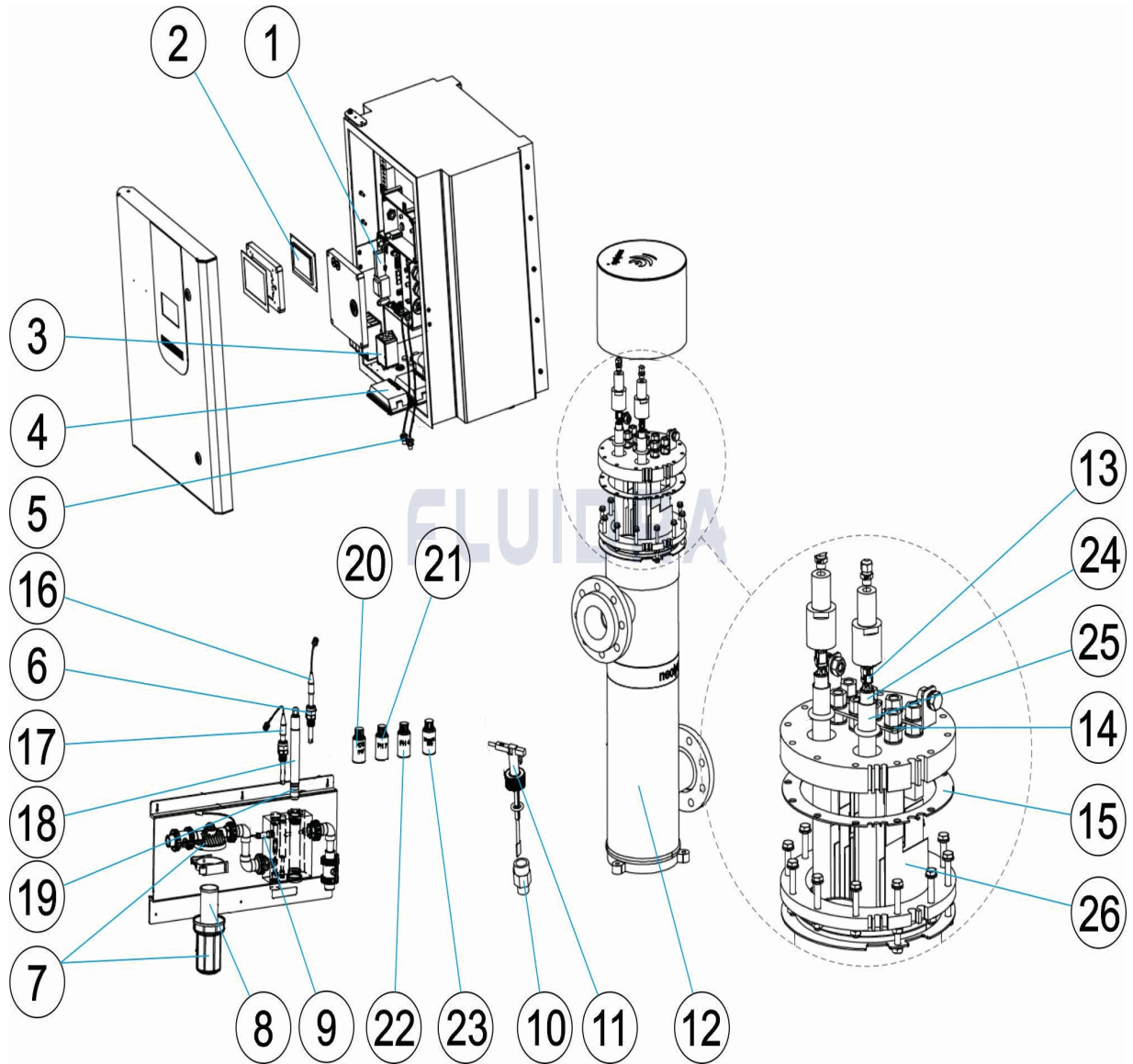


CODIGO 57762, 57765, 57768, 68117, 68118, 68119

DESCRIPCION: SISTEMA NEOLISYS PISCINA COMMERCIAL NEO-120/180



ESPAÑOL

POS	CODIGO	DESCRIPCION	CANTIDAD	POS	CODIGO	DESCRIPCION	CANTIDAD
1	* 4408040139	PLACA CONTROL D120 V1		8	* 4408041537	FILTRO PORTASONDAS LAVABLE	
1	* 4408040144	PLACA CONTROL D120+ V1		9	* 4408041541	SENSOR INDUCTIVO DE CAUDAL	
1	* 4408040140	PLACA CONTROL D180 V1		10	4408041210	REDUCCION ROSCADA 3/4" 1/2"	
1	* 4408040145	PLACA CONTROL D180+ V1		11	71124	FLUJOSTATO	
2	* 4408040150	TARGETA VISUALIZADORA TACTIL NV1 EX		12	* 4408040136	CELULA NEOLISIS PIS. COMER.	
2	* 4408040151	TARGETA VISUALIZADORA TACTIL NV1 EX.		12	* 4408070085	CELULA NEO-180	
2	* 4408040457	TARGETA VISUALIZADORA TACTIL NEO V2		13	4408070059	CONECTOR 4PIN	
2	* 4408040458	TARGETA VISUALIZADORA TACTIL NEO PP		14	4408070077	JUNTA TORICA	
3	* 4408041021	FILTRO 230V A-65/A-120 EX/PLUS		15	* 4408040135	JUNTA BRIDA CELULA NEOLYSIS EPDM	
3	* 4408041609	FILTRO 380V A-150/A-250/A-600 EX/PLUS		15	* 4408070084	JUNTA BRIDA NEO-180	
4	4408070062	BALASTRO LP 20, 25		16	* 60649	ELECTRODO ORP	
5	* 4408040088	LATIGUILLO BNC 0,7 EXTERNO		17	* 60648	ELECTRODO COMBINADO PH	
5	* 4408040089	LATIGUILLO BNC EXT-2 BNC A PVA 24V		18	* 60645	SENSOR CLORO LIBRE	

CODIGO 57762, 57765, 57768, 68117, 68118, 68119

DESCRIPCION: SISTEMA NEOLISYS PISCINA COMMERCIAL NEO-120/180

6	* 4408040604	PORTAELECTRODOS PE 12M/M-1/2"	19	* 60647	CABEZAL MEMBRANA SENSOR CLORO LIB
7	* 4408041538	PORTASONDAS E/S 1/2"	20	* 60633	SOLUCION CALIBRACION 470MV.
21	* 60618	TAMPON PH 7,0 50 M/L. (VERDE)	24	* 60609	LAMPARA UV LP-25
22	* 60632	TAMPON PH 4,0 50 ML. (ROJO)	25	60631	CUARZO UV LP-20-25-30
23	* 60646	ELECTROLITO ECC1/GEL SONDA CL	26	* 61121	RECAMBIO ELECTRODO NEOLYSIS 120GR.
24	* 60619	LAMPARA UV LP-2X90W	26	* 68126	RECAMBIO ELECTRODO NEO-180

CODIGO 57762, 57765, 57768, 68117, 68118, 68119

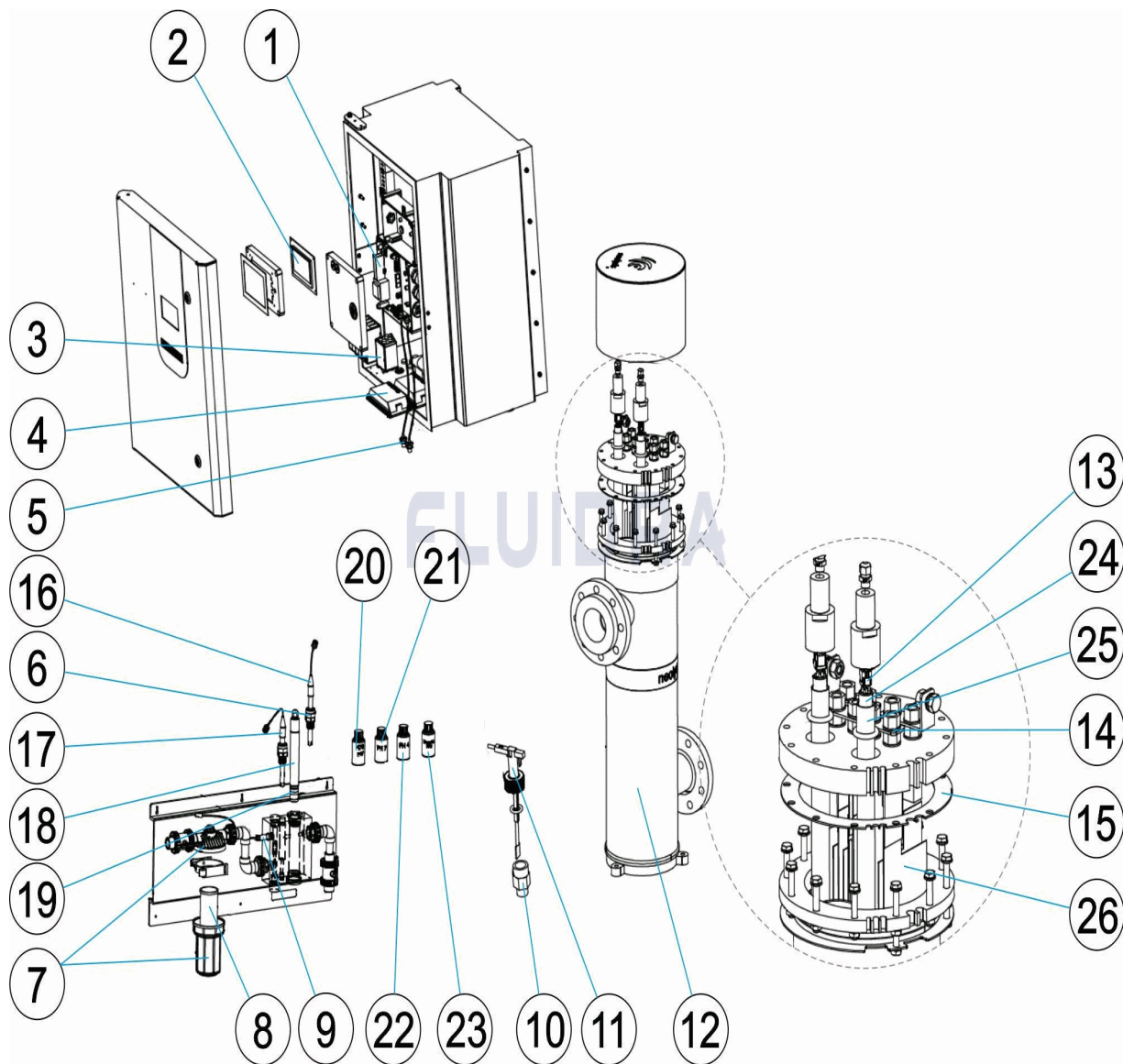
DESCRIPCION: SISTEMA NEOLISYS PISCINA COMMERCIAL NEO-120/180

OBSERVACIONES

POS	CODIGO	OBSERVACIONES
1	* 4408040139	PARA: 57762
1	* 4408040144	PARA: 57765, 57768
1	* 4408040140	PARA: 68117
1	* 4408040145	PARA: 68118, 68119
2	* 4408040150	PARA: 57762, 57765, 68117, 68118 OLD MODEL
2	* 4408040151	PARA: 57768, 68119 OLD MODEL
2	* 4408040457	PARA: 57762, 57765, 68117, 68118 CURRENT MODEL
2	* 4408040458	PARA: 57768, 68119 CURRENT MODEL
3	* 4408041021	PARA: 57762, 57765, 57768
3	* 4408041609	PARA: 68117, 68118, 68119
5	* 4408040088	PARA: 57765, 57768, 68118, 68119
5	* 4408040089	PARA: 57768, 68119
6	* 4408040604	PARA: 57765, 57768, 68118, 68119
7	* 4408041538	PARA: 57765, 57768, 68119
8	* 4408041537	PARA: 57765, 57768, 68119
9	* 4408041541	PARA: 57765, 57768, 68119
12	* 4408040136	PARA: 57762, 57765, 57768
12	* 4408070085	PARA: 68117, 68118, 68119
15	* 4408040135	PARA: 57762, 57765, 57768
15	* 4408070084	PARA: 68117, 68118, 68119
16	* 60649	PARA: 57765, 68118
17	* 60648	PARA: 57765, 57768, 68118, 68119
18	* 60645	PARA: 57768, 68119
19	* 60647	PARA: 57768, 68119
20	* 60633	PARA: 57765, 68118
21	* 60618	PARA: 57765, 57768, 68118, 68119
22	* 60632	PARA: 57765, 57768, 68118, 68119
23	* 60646	PARA: 57768, 68119
24	* 60619	PARA: 57762, 57765, 57768
24	* 60609	PARA: 68117, 68118, 68119
26	* 61121	PARA: 57762, 57765, 57768
26	* 68126	PARA: 68117, 68118, 68119

CODE 57762, 57765, 57768, 68117, 68118, 68119

DESCRIPTION: SYSTÈME NEOLYSIS PISCINE COMMERCIALE NEO-120/180



FRANCAIS

POS	CODE	DESCRIPTION	QUANTITE	POS	CODE	DESCRIPTION	QUANTITE
1	* 4408040139	PLAQUE CONTRÔLE D120 V1		8	* 4408041537	FILTRE PORTE-SONDES LAVABLE	
1	* 4408040144	PLAQUE CONTRÔLE D120+ V1		9	* 4408041541	SONDE DE DÉBIT INDUCTIVE	
1	* 4408040140	PLAQUE CONTRÔLE D180 V1		10	4408041210	MANCHON PE 1/2" - 3/4"	
1	* 4408040145	PLAQUE CONTRÔLE D180+ V1		11	71124	CONTROLEUR DE DEBIT	
2	* 4408040150	CARTE AFFICHEUR ÉLECTROLYSE NV1 E)		12	* 4408040136	CELLULE NEOLYSIS	
2	* 4408040151	CARTE AFFICHEUR ÉLECTROLYSE NV1 E)		12	* 4408070085	CELLULE NEO-180	
2	* 4408040457	CARTE AFFICHEUR ÉLECTROLYSE NEO V.		13	4408070059	CONNECTEUR 4PIN	
2	* 4408040458	CARTE AFFICHEUR ÉLECTROLYSE NEO PI		14	4408070077	JOINT TORIQUE	
3	* 4408041021	FILTRE 230V A-65/A-120 EX/PLUS		15	* 4408040135	JOINT CELLULE NEOLYSIS EPDM	
3	* 4408041609	FILTRE 380V A-150/A-250/A-600 EX/PLUS		15	* 4408070084	JOINT CELLULE NEO-180	
4	4408070062	BALLAST LP 20, 25		16	* 60649	ELECTRODE ORP	
5	* 4408040088	CÂBLE BNC 0,7		17	* 60648	ELECTRODE COMBINÉE PH	
5	* 4408040089	CÂBLE BNC EXT-2 BNC A PVA 24V		18	* 60645	SONDE DE CHLORE LIBRE	

* VOIR FICHE D'OBSERVATIONS

CODE **57762, 57765, 57768, 68117, 68118, 68119**

DESCRIPTION: **SYSTÈME NEOLYSIS PISCINE COMMERCIALE NEO-120/180**

6	* 4408040604	PORTE-ÉLECTRODE PE 12M/M. 1/2"	19	* 60647	CAPSULE MEMBRANE POUR SONDÉ CHLC
7	* 4408041538	PORTE-SONDES E/S 1/2"	20	* 60633	SOLUTION CALIBRAGE 470 MV
21	* 60618	TAMPON PH 7,0 50 M/L. (VERT)	24	* 60609	LAMPE UV LP-25
22	* 60632	TAMPON PH 4,0 50 ML. (ROUGE)	25	60631	GAINÉ QUARTZ LP 20, 25, 30
23	* 60646	ELECTROLYTE	26	* 61121	RECHANGÉ ÉLECTRODE NEOLYSIS 120GR
24	* 60619	LAMPE UV LP-2X90W	26	* 68126	RECHANGÉ ÉLECTRODE NEO-180

CODE **57762, 57765, 57768, 68117, 68118, 68119**

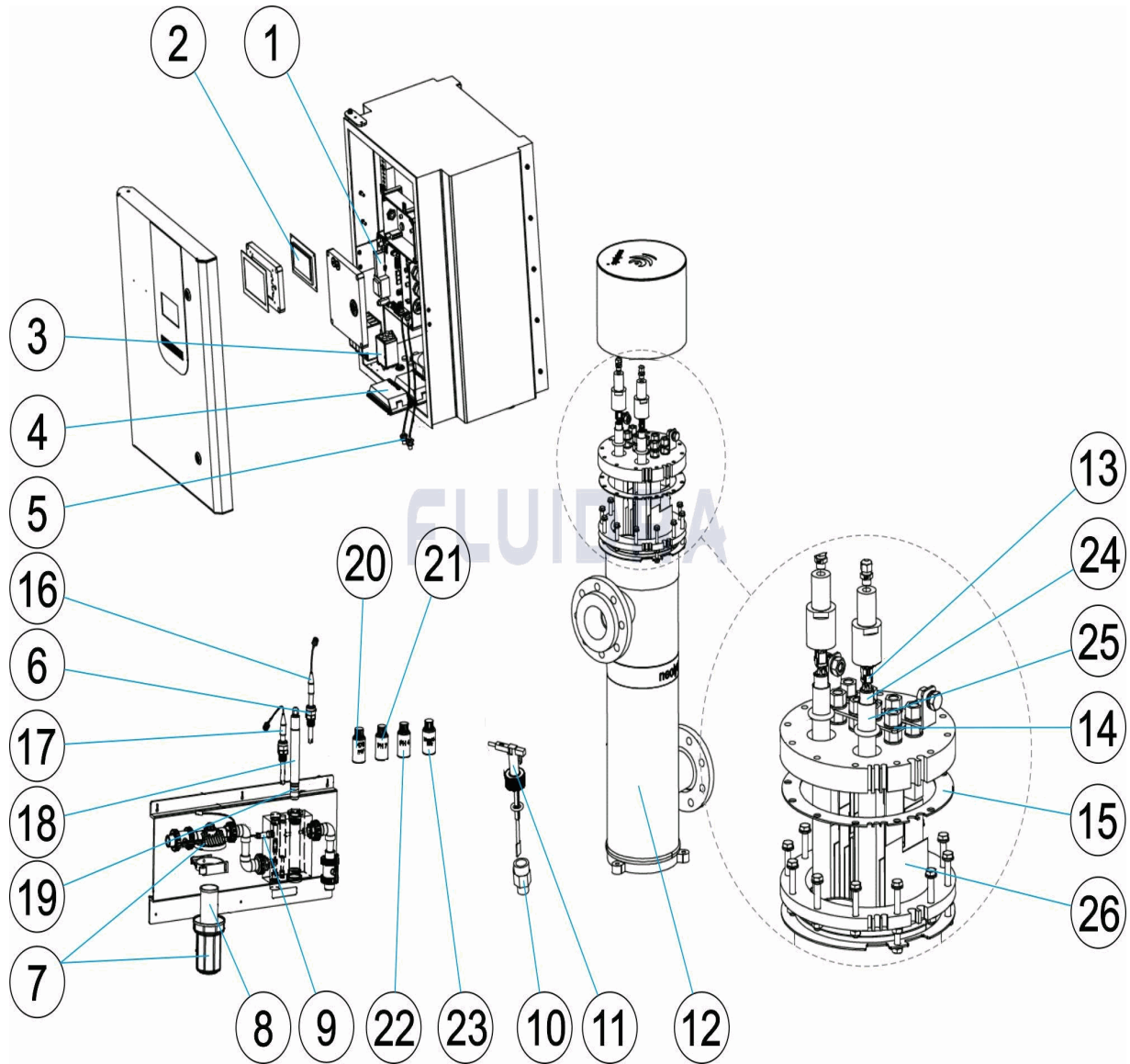
DESCRIPTION: **SYSTÈME NEOLYSIS PISCINE COMMERCIALE NEO-120/180**

OBSERVATIONS

POS	CODE	OBSERVATIONS
1	* 4408040139	POUR: 57762
1	* 4408040144	POUR: 57765, 57768
1	* 4408040140	POUR: 68117
1	* 4408040145	POUR: 68118, 68119
2	* 4408040150	POUR: 57762, 57765, 68117, 68118 OLD MODEL
2	* 4408040151	POUR: 57768, 68119 OLD MODEL
2	* 4408040457	POUR: 57762, 57765, 68117, 68118 CURRENT MODEL
2	* 4408040458	POUR: 57768, 68119 CURRENT MODEL
3	* 4408041021	POUR: 57762, 57765, 57768
3	* 4408041609	POUR: 68117, 68118, 68119
5	* 4408040088	POUR: 57765, 57768, 68118, 68119
5	* 4408040089	POUR: 57768, 68119
6	* 4408040604	POUR: 57765, 57768, 68118, 68119
7	* 4408041538	POUR: 57765, 57768, 68119
8	* 4408041537	POUR: 57765, 57768, 68119
9	* 4408041541	POUR: 57765, 57768, 68119
12	* 4408040136	POUR: 57762, 57765, 57768
12	* 4408070085	POUR: 68117, 68118, 68119
15	* 4408040135	POUR: 57762, 57765, 57768
15	* 4408070084	POUR: 68117, 68118, 68119
16	* 60649	POUR: 57765, 68118
17	* 60648	POUR: 57765, 57768, 68118, 68119
18	* 60645	POUR: 57768, 68119
19	* 60647	POUR: 57768, 68119
20	* 60633	POUR: 57765, 68118
21	* 60618	POUR: 57765, 57768, 68118, 68119
22	* 60632	POUR: 57765, 57768, 68118, 68119
23	* 60646	POUR: 57768, 68119
24	* 60619	POUR: 57762, 57765, 57768
24	* 60609	POUR: 68117, 68118, 68119
26	* 61121	POUR: 57762, 57765, 57768
26	* 68126	POUR: 68117, 68118, 68119

CODE 57762, 57765, 57768, 68117, 68118, 68119

DESCRIPTION: NEOLYSIS SYSTEM FOR COMMERCIAL POOL NEO-120/180



ENGLISH

POS	CODE	DESCRIPTION	QUANTITY	POS	CODE	DESCRIPTION	QUANTITY
1	* 4408040139	ELECTRONIC CARD D120 V1		8	* 4408041537	WASHABLE MAXIM CELL FILTER	
1	* 4408040144	ELECTRONIC CARD D120+ V1		9	* 4408041541	INDUCTIVE FLOW SENSOR	
1	* 4408040140	ELECTRONIC CARD D180 V1		10	4408041210	ADAPTOR SOCKET PE 1/2" - 3/4	
1	* 4408040145	ELECTRONIC CARD D180+ V1		11	71124	WATER FLOW SWITCH	
2	* 4408040150	NV1 EX ELECTROLYSIS VIEWER CARD		12	* 4408040136	NEOLYSIS CELL	
2	* 4408040151	NV1 EX2 ELECTROLYSIS VIEWER CARD		12	* 4408070085	NEO-180 CELL	
2	* 4408040457	NEO V2 ELECTROLYSIS VIEWER CARD		13	4408070059	4PIN CONNECTOR	
2	* 4408040458	NEO PPM V2 ELECTROLYSIS VIEWER CAF		14	4408070077	O' RING	
3	* 4408041021	FILTER 230V A-65/A-120 EX/PLUS		15	* 4408040135	CELL GASKET NEOLYSIS EPDM	
3	* 4408041609	FILTER 380V A-150/A-250/A-600 EX/PLUS		15	* 4408070084	CELL GASKET NEO-180	
4	4408070062	BALLAST LP 20, 25		16	* 60649	ORP ELECTRODE	
5	* 4408040088	BNC 0,7 EX CABLE		17	* 60648	ELECTRODE PH	
5	* 4408040089	EXT-2 BNC A PVA 24V CABLE		18	* 60645	FREE CHLORINE SENSOR	

CODE **57762, 57765, 57768, 68117, 68118, 68119**

DESCRIPTION: **NEOLYSIS SYSTEM FOR COMMERCIAL POOL NEO-120/180**

6	* 4408040604	ELECTRODE CARRIER PE 12M/M.-1/2"	19	* 60647	MEMBRANE CAP FOR FREE CHLORINE SEI
7	* 4408041538	MAXIM CELL E/S 1/2"	20	* 60633	CALIBRATION SOLUTION ORP 470 MV
21	* 60618	CALIBRATION SOLUTION PH 7,0 50 M/L. (G	24	* 60609	LAMPELC UV LP-25
22	* 60632	CALIBRATION SOLUTION PH 4,0 50 ML. (RE	25	60631	QUARTZ SLEEVE LP 20, 25, 30
23	* 60646	ELECTROLITE	26	* 61121	ELECTRODE SPARE NEOLYSIS 120GR/H+ L
24	* 60619	LAMPELC UV LP-2X90W	26	* 68126	ELECTRODE SPARE NEO-180

CODE **57762, 57765, 57768, 68117, 68118, 68119**

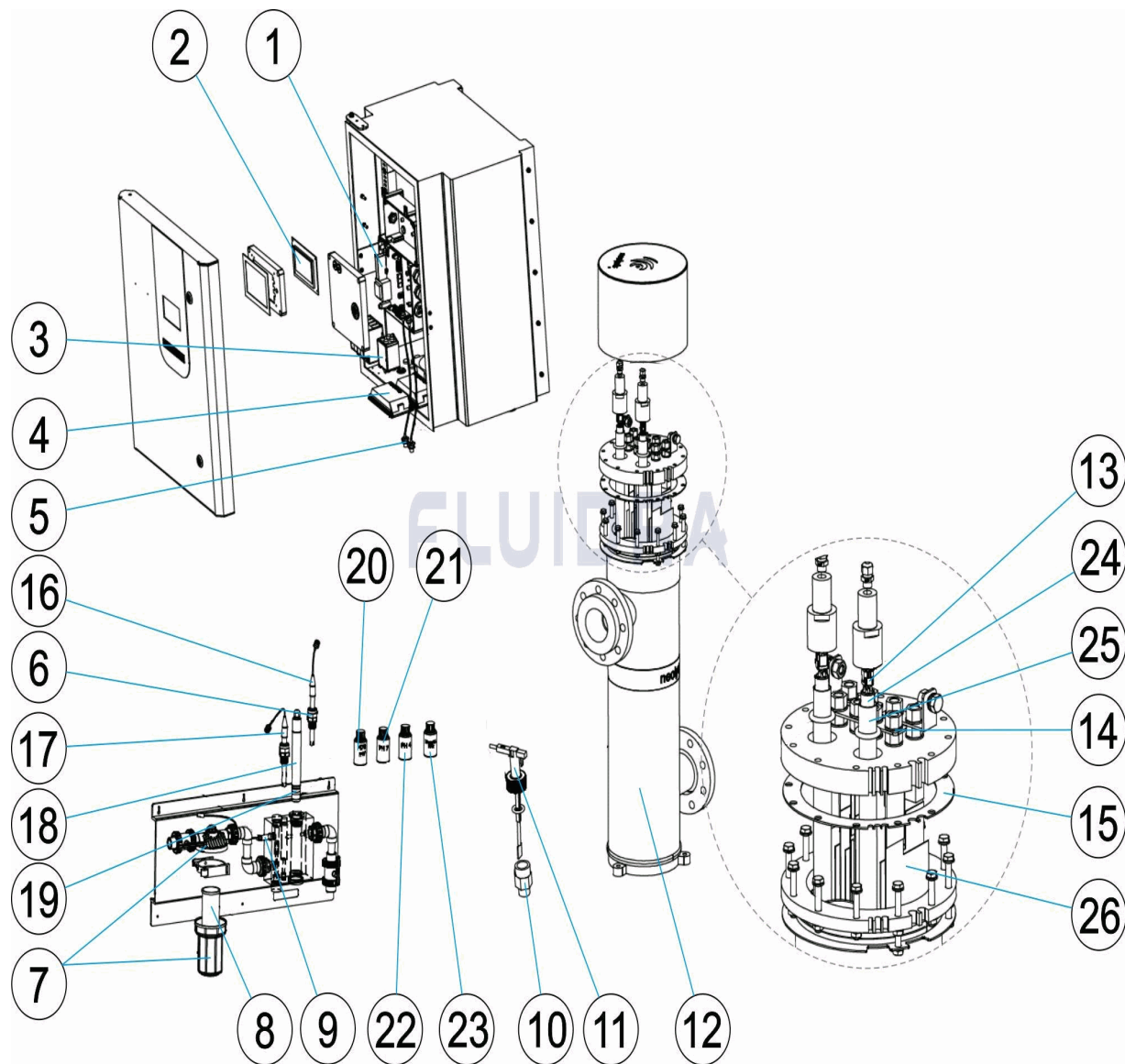
DESCRIPTION: **NEOLYSIS SYSTEM FOR COMMERCIAL POOL NEO-120/180**

OBSERVATIONS

POS	CODE	OBSERVATIONS
1	* 4408040139	FOR: 57762
1	* 4408040144	FOR: 57765, 57768
1	* 4408040140	FOR: 68117
1	* 4408040145	FOR: 68118, 68119
2	* 4408040150	FOR: 57762, 57765, 68117, 68118 OLD MODEL
2	* 4408040151	FOR: 57768, 68119 OLD MODEL
2	* 4408040457	FOR: 57762, 57765, 68117, 68118 CURRENT MODEL
2	* 4408040458	FOR: 57768, 68119 CURRENT MODEL
3	* 4408041021	FOR: 57762, 57765, 57768
3	* 4408041609	FOR: 68117, 68118, 68119
5	* 4408040088	FOR: 57765, 57768, 68118, 68119
5	* 4408040089	FOR: 57768, 68119
6	* 4408040604	FOR: 57765, 57768, 68118, 68119
7	* 4408041538	FOR: 57765, 57768, 68119
8	* 4408041537	FOR: 57765, 57768, 68119
9	* 4408041541	FOR: 57765, 57768, 68119
12	* 4408040136	FOR: 57762, 57765, 57768
12	* 4408070085	FOR: 68117, 68118, 68119
15	* 4408040135	FOR: 57762, 57765, 57768
15	* 4408070084	FOR: 68117, 68118, 68119
16	* 60649	FOR: 57765, 68118
17	* 60648	FOR: 57765, 57768, 68118, 68119
18	* 60645	FOR: 57768, 68119
19	* 60647	FOR: 57768, 68119
20	* 60633	FOR: 57765, 68118
21	* 60618	FOR: 57765, 57768, 68118, 68119
22	* 60632	FOR: 57765, 57768, 68118, 68119
23	* 60646	FOR: 57768, 68119
24	* 60619	FOR: 57762, 57765, 57768
24	* 60609	FOR: 68117, 68118, 68119
26	* 61121	FOR: 57762, 57765, 57768
26	* 68126	FOR: 68117, 68118, 68119

CODICE 57762, 57765, 57768, 68117, 68118, 68119

DESCRIZIONE: SISTEMA NEOLISYS PISCINA COMMERCIALE NEO-120/180



ITALIANO

POS	CODICE	DESCRIZIONE	QUANTITA'	POS	CODICE	DESCRIZIONE	QUANTITA'
1	* 4408040139	SCHEDA D120 V1		8	* 4408041537	FILTRO PORTA-SONDE LAVABILE	
1	* 4408040144	SCHEDA D120+ V1		9	* 4408041541	SONDA DI FLUSSO INDUTTIVA	
1	* 4408040140	SCHEDA D180 V1		10	4408041210	MANICOTTO PE 1/2" - 3/4"	
1	* 4408040145	SCHEDA D180+ V1		11	71124	FLUSSOSTATO	
2	* 4408040150	SCHEDA VISORE ELETTROLISI NV1 EX		12	* 4408040136	CELLULA NEOLISYS	
2	* 4408040151	SCHEDA VISORE ELETTROLISI NV1 EX2		12	* 4408070085	CELLULA NEO-180	
2	* 4408040457	SCHEDA VISORE ELETTROLISI NEO V2		13	4408070059	CONNETTORE 4910	
2	* 4408040458	SCHEDA VISORE ELETTROLISI NEO PPM \		14	4408070077	O-RING	
3	* 4408041021	FILTRE 230V A-65/A-120 EX/PLUS		15	* 4408040135	GIUNTA CELLULA NEOLYSIS EPDM	
3	* 4408041609	FILTRE 380V A-150/A-250/A-600 EX/PLUS		15	* 4408070084	GIUNTA CELLULA NEO-180	
4	4408070062	REGOLATORE DI CORRENTE LP 20, 25		16	* 60649	ELETTRODO RX	
5	* 4408040088	CAVO BNC 0,7		17	* 60648	ELETTRODO COMBINATO PH	
5	* 4408040089	CAVO BNC EXT-2 BNC A PVA 24V		18	* 60645	SONDA DI CLORO LIBERO	

CODICE **57762, 57765, 57768, 68117, 68118, 68119**

DESCRIZIONE: **SISTEMA NEOLISYS PISCINA COMMERCIALE NEO-120/180**

6	* 4408040604	PORTAELETTODO PE 12M/M. X 1/2"	19	* 60647	TAPPO MEMBRANA PER SONDA CLORO LI
7	* 4408041538	PORTA-SONDE E/S 1/2"	20	* 60633	SOLUCIONE CALIBRACIONE 470MV.
21	* 60618	SOLUCIONE TAMPONE PH 7,0 50 M/L. (VEF	24	* 60609	LAMPADA UV LP-25
22	* 60632	SOLUCIONE TAMPONE PH 4,0 50 ML. (ROS	25	60631	GUAINA DI QUARZO LP 20, 25, 30
23	* 60646	ELETTROLITO	26	* 61121	RECAMBIO ELETTRODO NEOLYSIS 120GR/
24	* 60619	LAMPADA UV LP-2X90W	26	* 68126	RECAMBIO ELETTRODO NEO-180

CODICE **57762, 57765, 57768, 68117, 68118, 68119**

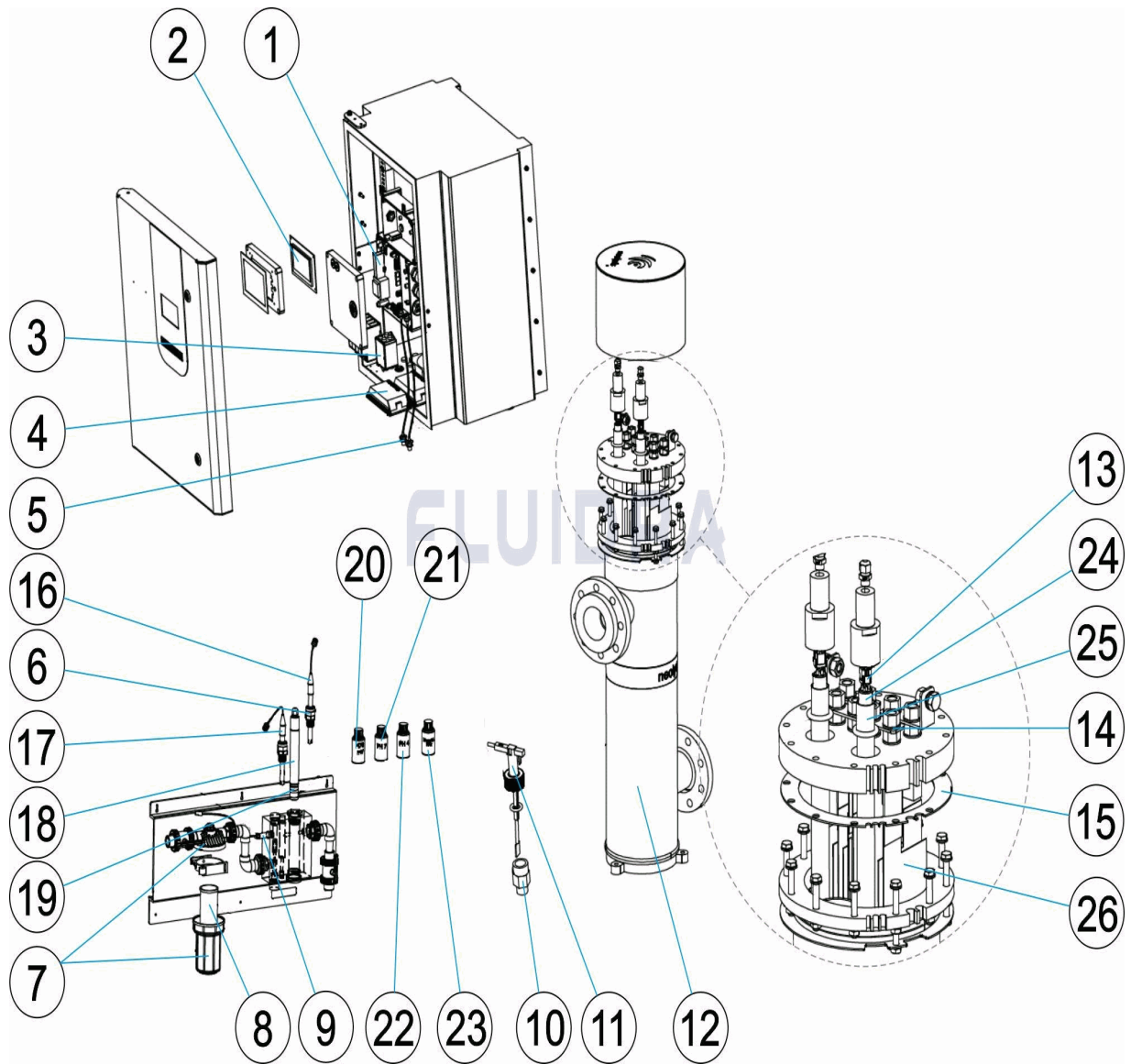
DESCRIZIONE: **SISTEMA NEOLISYS PISCINA COMMERCIALE NEO-120/180**

OSSERVAZIONI

POS	CODICE	OSSERVAZIONI
1	* 4408040139	PER: 57762
1	* 4408040144	PER: 57765, 57768
1	* 4408040140	PER: 68117
1	* 4408040145	PER: 68118, 68119
2	* 4408040150	PER: 57762, 57765, 68117, 68118 OLD MODEL
2	* 4408040151	PER: 57768, 68119 OLD MODEL
2	* 4408040457	PER: 57762, 57765, 68117, 68118 CURRENT MODEL
2	* 4408040458	PER: 57768, 68119 CURRENT MODEL
3	* 4408041021	PER: 57762, 57765, 57768
3	* 4408041609	PER: 68117, 68118, 68119
5	* 4408040088	PER: 57765, 57768, 68118, 68119
5	* 4408040089	PER: 57768, 68119
6	* 4408040604	PER: 57765, 57768, 68118, 68119
7	* 4408041538	PER: 57765, 57768, 68119
8	* 4408041537	PER: 57765, 57768, 68119
9	* 4408041541	PER: 57765, 57768, 68119
12	* 4408040136	PER: 57762, 57765, 57768
12	* 4408070085	PER: 68117, 68118, 68119
15	* 4408040135	PER: 57762, 57765, 57768
15	* 4408070084	PER: 68117, 68118, 68119
16	* 60649	PER: 57765, 68118
17	* 60648	PER: 57765, 57768, 68118, 68119
18	* 60645	PER: 57768, 68119
19	* 60647	PER: 57768, 68119
20	* 60633	PER: 57765, 68118
21	* 60618	PER: 57765, 57768, 68118, 68119
22	* 60632	PER: 57765, 57768, 68118, 68119
23	* 60646	PER: 57768, 68119
24	* 60619	PER: 57762, 57765, 57768
24	* 60609	PER: 68117, 68118, 68119
26	* 61121	PER: 57762, 57765, 57768
26	* 68126	PER: 68117, 68118, 68119

CODE 57762, 57765, 57768, 68117, 68118, 68119

BESCHREIBUNG: NEOLYSESYSTEM ÖFFENTLICHES BECKEN NEO-120/180



DEUTSCH

POS	CODE	BESCHREIBUNG	MENGE	POS	CODE	BESCHREIBUNG	MENGE
1	* 4408040139	STEUERPLATINE D120 V1		8	* 4408041537	SONDENHALTERUNG FILTER WASCHBAR	
1	* 4408040144	STEUERPLATINE D120+ V1		9	* 4408041541	INDUKTIVER DURCHFLUSSMESSER	
1	* 4408040140	STEUERPLATINE D180 V1		10	4408041210	REDUZIERSTÜCK GEWINDE 3/4" 1/2"	
1	* 4408040145	STEUERPLATINE D180+ V1		11	71124	DURCHFLUSSMESSER	
2	* 4408040150	TOUCHSCREEN NV1 EX		12	* 4408040136	ZELLE NEOLYSE ÖFFENTLICHES SCHWIMM	
2	* 4408040151	TOUCHSCREEN NV1 EX 2		12	* 4408070085	ZELLE NEO-180 ÖFFENTLICHES SCHWIMM	
2	* 4408040457	TOUCHSCREEN NEO V2		13	4408070059	STECKKUPPLUNG 4PIN	
2	* 4408040458	TOUCHSCREEN NEO PPM V2		14	4408070077	O-RING	
3	* 4408041021	FILTER 230 V A-65/A-120 EX/PLUS		15	* 4408040135	DICHTUNG FLANSCH ZELLE NEOLYSE EPC	
3	* 4408041609	FILTER 380 V A-150/A-250/A-600 EX/PLUS		15	* 4408070084	DICHTUNG FLANSCH ZELLE NEO-180	
4	4408070062	VORSCHALTGERÄT LP 20, 25		16	* 60649	ORP-ELEKTRODE	
5	* 4408040088	SCHLAUCHLEITUNG BNC 0,7 AUSSEN		17	* 60648	ELEKTRODE KOMBINIERT PH	
5	* 4408040089	SCHLAUCHLEITUNG BNC EXT-2 BNC A PV/		18	* 60645	FREICHLORMESSER	

CODE **57762, 57765, 57768, 68117, 68118, 68119**

BESCHREIBUNG: **NEOLYSESYSTEM ÖFFENTLICHES BECKEN NEO-120/180**

6	* 4408040604	ELEKTRODENSITZ PE 12 MM-1/2"	19	* 60647	KOPFSTÜCK MEMBRAN FREICHLORMESSI
7	* 4408041538	SONDENHALTERUNG E/S 1/2"	20	* 60633	KALIBRIERLÖSUNG 47 0MV
21	* 60618	PUFFER PH 7,0 50 M/L (GRÜN)	24	* 60609	LAMPE UV LP - 25
22	* 60632	PUFFER PH 4,0 50 ML (ROT)	25	60631	QUARZRÖHRE UV LP - 20 - 25 - 30
23	* 60646	ELEKTROLYT ECC1/GEL SONDE CL	26	* 61121	ERSATZTEIL ELEKTRODE NEOLYSE 120GR
24	* 60619	LAMPE UV LP - 2 X 90 W	26	* 68126	ERSATZTEIL ELEKTRODE NEO-180

CODE **57762, 57765, 57768, 68117, 68118, 68119**

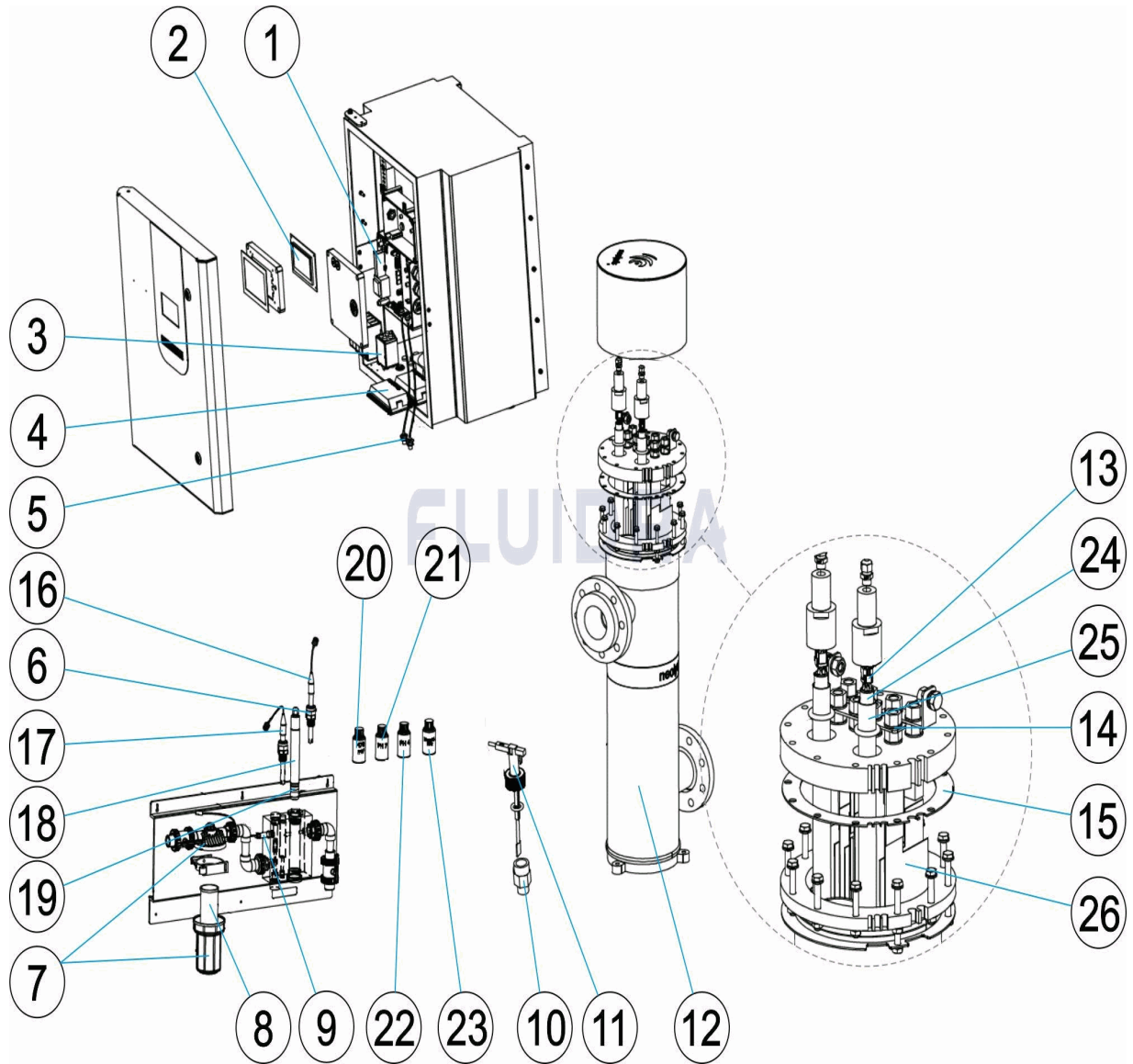
BESCHREIBUNG: **NEOLYSESYSTEM ÖFFENTLICHES BECKEN NEO-120/180**

HINWEISE

POS	CODE	HINWEISE
1	* 4408040139	FÜR: 57762
1	* 4408040144	FÜR: 57765, 57768
1	* 4408040140	FÜR: 68117
1	* 4408040145	FÜR: 68118, 68119
2	* 4408040150	FÜR: 57762, 57765, 68117, 68118 OLD MODEL
2	* 4408040151	FÜR: 57768, 68119 OLD MODEL
2	* 4408040457	FÜR: 57762, 57765, 68117, 68118 CURRENT MODEL
2	* 4408040458	FÜR: 57768, 68119 CURRENT MODEL
3	* 4408041021	FÜR: 57762, 57765, 57768
3	* 4408041609	FÜR: 68117, 68118, 68119
5	* 4408040088	FÜR: 57765, 57768, 68118, 68119
5	* 4408040089	FÜR: 57768, 68119
6	* 4408040604	FÜR: 57765, 57768, 68118, 68119
7	* 4408041538	FÜR: 57765, 57768, 68119
8	* 4408041537	FÜR: 57765, 57768, 68119
9	* 4408041541	FÜR: 57765, 57768, 68119
12	* 4408040136	FÜR: 57762, 57765, 57768
12	* 4408070085	FÜR: 68117, 68118, 68119
15	* 4408040135	FÜR: 57762, 57765, 57768
15	* 4408070084	FÜR: 68117, 68118, 68119
16	* 60649	FÜR: 57765, 68118
17	* 60648	FÜR: 57765, 57768, 68118, 68119
18	* 60645	FÜR: 57768, 68119
19	* 60647	FÜR: 57768, 68119
20	* 60633	FÜR: 57765, 68118
21	* 60618	FÜR: 57765, 57768, 68118, 68119
22	* 60632	FÜR: 57765, 57768, 68118, 68119
23	* 60646	FÜR: 57768, 68119
24	* 60619	FÜR: 57762, 57765, 57768
24	* 60609	FÜR: 68117, 68118, 68119
26	* 61121	FÜR: 57762, 57765, 57768
26	* 68126	FÜR: 68117, 68118, 68119

CODIGO 57762, 57765, 57768, 68117, 68118, 68119

DESCRIÇÃO: SISTEMA NEOLYSIS PISCINA COMERCIAL NEO-120/180



PORTUGUES

POS	CODIGO	DESCRIÇÃO	JANTIDADE	POS	CODIGO	DESCRIÇÃO	JANTIDADE
1	* 4408040139	PLACA CONTROLO D120 V1		8	* 4408041537	FILTRO PORTA-SONDAS LAVÁVEL	
1	* 4408040144	PLACA CONTROLO D120+ V1		9	* 4408041541	SONDA DE CAUDAL INDUTIVA	
1	* 4408040140	PLACA CONTROLO D180 V1		10	4408041210	UNIÃO PE 1/2" - 3/4"	
1	* 4408040145	PLACA CONTROLO D180+ V1		11	71124	FLUXO-ESTATO	
2	* 4408040150	PLACA VISUALIZAÇÃO ELECTRÓLISE NV1		12	* 4408040136	CÉLULA NEOLYSIS	
2	* 4408040151	PLACA VISUALIZAÇÃO ELECTRÓLISE NV1		12	* 4408070085	CÉLULA NEO-180	
2	* 4408040457	PLACA VISUALIZAÇÃO ELECTRÓLISE NEO		13	4408070059	LIGAÇÃO 4PIN	
2	* 4408040458	PLACA VISUALIZAÇÃO ELECTRÓLISE NEO		14	4408070077	JUNTA TÓRICA	
3	* 4408041021	FILTRO 230V A-65/A-120 EX/PLUS		15	* 4408040135	JUNTA CELULA NEOLYSIS EPDM	
3	* 4408041609	FILTRO 380V A-150/A-250/A-600 EX/PLUS		15	* 4408070084	JUNTA CELULA NEO-180	
4	4408070062	BALASTRO LP 20, 25		16	* 60649	ELECTRODO ORP	
5	* 4408040088	CABO BNC 0,7		17	* 60648	ELECTRODO COMBINADO PH	
5	* 4408040089	CABO BNC EXT-2 BNC A PVA 24V		18	* 60645	SONDA DE CLORO LIVRE	

*** VEJA A FICHA DE OBSERVAÇÕES**

CODIGO 57762, 57765, 57768, 68117, 68118, 68119

DESCRIÇÃO: SISTEMA NEOLYSIS PISCINA COMERCIAL NEO-120/180

6	* 4408040604	PORTAELECTRODOS PE 12M/M-1/2"	19	* 60647	CÁPSULA MEMBRANA PARA Sonda CLORC
7	* 4408041538	PORTA-SONDAS E/S 1/2"	20	* 60633	SOLUÇÃO TAMPÃO 470 MV
21	* 60618	SOLUÇÃO TAMPÃO PH 7,0 50 M/L. (VERDE)	24	* 60609	LÂMPADA UV LP-25
22	* 60632	SOLUÇÃO TAMPÃO PH 4,0 50 ML. (VERMEI)	25	60631	TUBO DE QUARZO LP 20, 25, 30
23	* 60646	ELECTROLITO	26	* 61121	SOBRESSALENTE ELÉCTRODO NEOLYSIS
24	* 60619	LÂMPADA UV LP-2X90W	26	* 68126	SOBRESSALENTE ELÉCTRODO NEO-180

CODIGO 57762, 57765, 57768, 68117, 68118, 68119

DESCRIÇÃO: SISTEMA NEOLYSIS PISCINA COMERCIAL NEO-120/180

OBSERVAÇÕES

POS	CODIGO	OBSERVAÇÕES
1	* 4408040139	PARA: 57762
1	* 4408040144	PARA: 57765, 57768
1	* 4408040140	PARA: 68117
1	* 4408040145	PARA: 68118, 68119
2	* 4408040150	PARA: 57762, 57765, 68117, 68118 OLD MODEL
2	* 4408040151	PARA: 57768, 68119 OLD MODEL
2	* 4408040457	PARA: 57762, 57765, 68117, 68118 CURRENT MODEL
2	* 4408040458	PARA: 57768, 68119 CURRENT MODEL
3	* 4408041021	PARA: 57762, 57765, 57768
3	* 4408041609	PARA: 68117, 68118, 68119
5	* 4408040088	PARA: 57765, 57768, 68118, 68119
5	* 4408040089	PARA: 57768, 68119
6	* 4408040604	PARA: 57765, 57768, 68118, 68119
7	* 4408041538	PARA: 57765, 57768, 68119
8	* 4408041537	PARA: 57765, 57768, 68119
9	* 4408041541	PARA: 57765, 57768, 68119
12	* 4408040136	PARA: 57762, 57765, 57768
12	* 4408070085	PARA: 68117, 68118, 68119
15	* 4408040135	PARA: 57762, 57765, 57768
15	* 4408070084	PARA: 68117, 68118, 68119
16	* 60649	PARA: 57765, 68118
17	* 60648	PARA: 57765, 57768, 68118, 68119
18	* 60645	PARA: 57768, 68119
19	* 60647	PARA: 57768, 68119
20	* 60633	PARA: 57765, 68118
21	* 60618	PARA: 57765, 57768, 68118, 68119
22	* 60632	PARA: 57765, 57768, 68118, 68119
23	* 60646	PARA: 57768, 68119
24	* 60619	PARA: 57762, 57765, 57768
24	* 60609	PARA: 68117, 68118, 68119
26	* 61121	PARA: 57762, 57765, 57768
26	* 68126	PARA: 68117, 68118, 68119