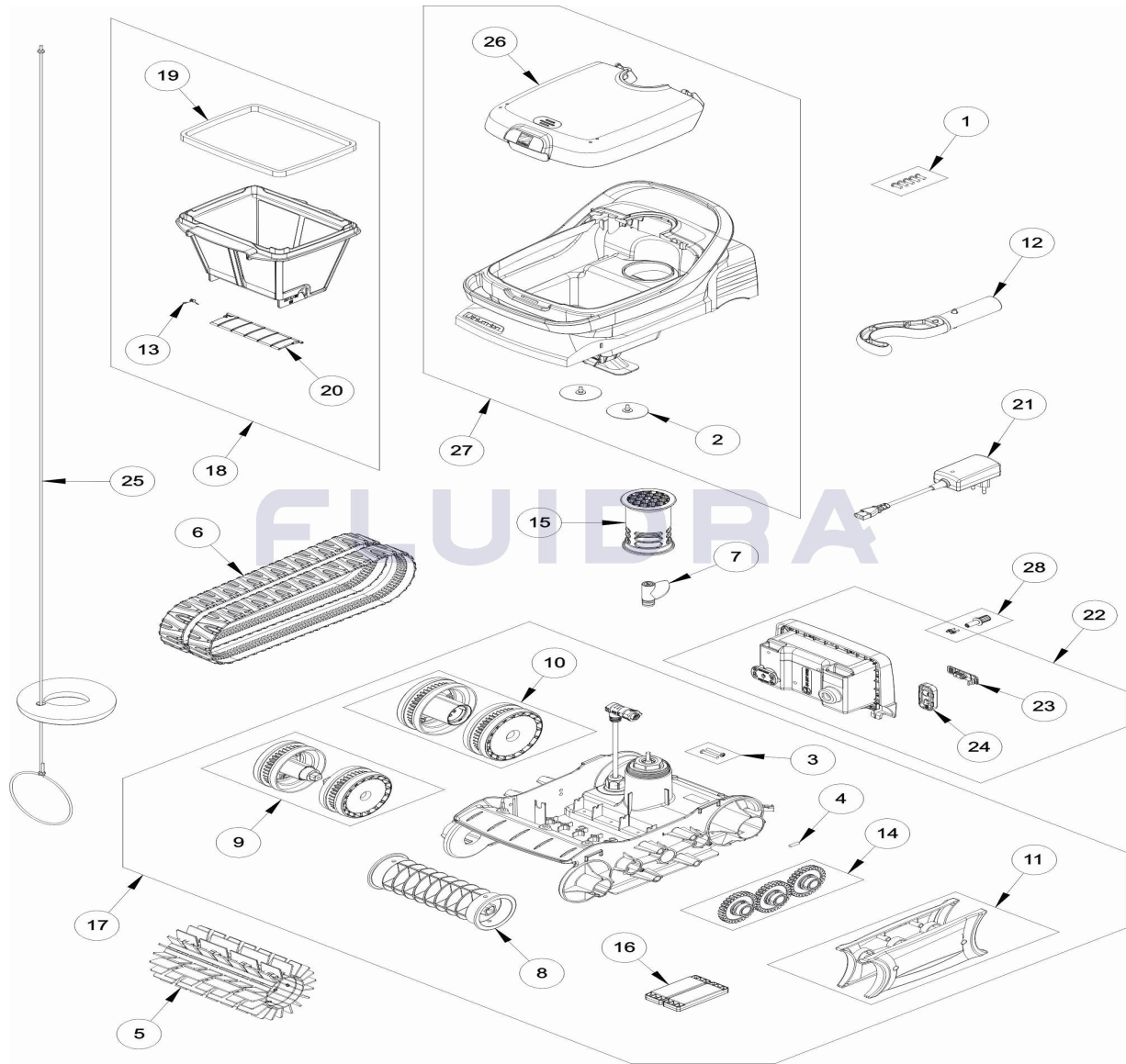


CODIGO **WR000504**

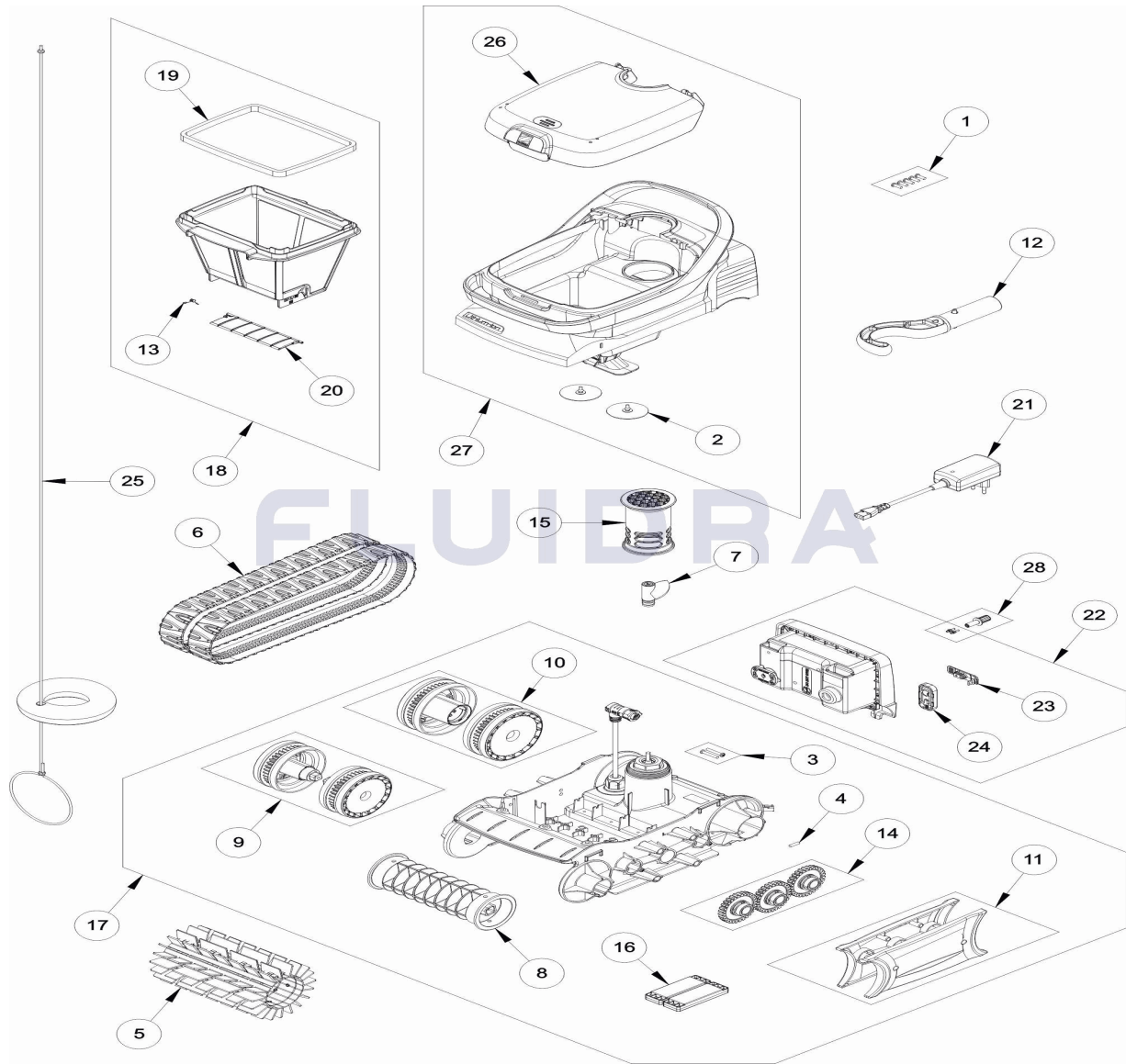
 DESCRIPCION: **OP-Li 2100**

ESPAÑOL

POS	CODIGO	DESCRIPCION	CANTIDAD	POS	CODIGO	DESCRIPCION	CANTIDAD
1	R0516700	TORNILLO 4*12 MM (PACK DE 5 UN.)	1	15	R1065700	CANALIZADOR DE FLUJO TB AMARILLO	1
2	R0633300	GOMA DE EVACUACIÓN CYCLONX (Pack 3	1	16	R1065900	LASTRE GRANDE	1
3	R0638900	TORNILLO 4*25 MM (Pack 5 UN)	1	17	R1066000	BLOQUE TRACCION COMPLETO	1
4	R0657900	PASADOR ø4 EJE BLOQUE MOTOR (PACK	1	18	R1066200	CONJUNTO DE FILTRO 150 TB	1
5	R0764900	CEPILLOS R9022	1	19	R1066400	JUNTA TAPA FILTRO TB	1
6	R0765600	ORUGAS (PACK DE 2 UN)	1	20	R1066500	TAPA VALVULA DEL FILTRO TB	1
7	R0766200	HÉLICE	1	21	R1066600	CABLE DE CARGA, TB UE	1
8	R0767000	SOPORTE CEPILLOS	1	22	R1066900	BLOQUE DE BATERÍA TB	1
9	R0771800	RUEDAS DELANTERAS COMPLETAS (PACI	1	23	R1067000	TAPA DE CARGA TB	1
10	R0771900	RUEDAS TRASERAS COMPLETAS (PACK D	1	24	R1067100	INTERRUPTOR DE ALIMENTACIÓN	1
11	R0772000	TAPAS LATERALES	1	25	R1067200	FLOTADOR DONUT COMPLETO TB	1
12	R0972500	GANCHO CB EU	1	26	R1067300	TAPA TRANSPARENTE TB	1
13	R1008400	MUELLE FILTRO TB	1	27	R1067400	CUERPO A TB GRIS	1

CODIGO **WR000504**DESCRIPCION: **OP-Li 2100**

14	R1065600	SISTEMA COMPLETO ENGRANAJES TB	1	28	R1067700	JUEGO DE PINES EXTRAÍBLES TB	1
----	----------	--------------------------------	---	----	----------	------------------------------	---

CODE **WR000504**

 DESCRIPTION: **OP-Li 2100**


FRANCAIS

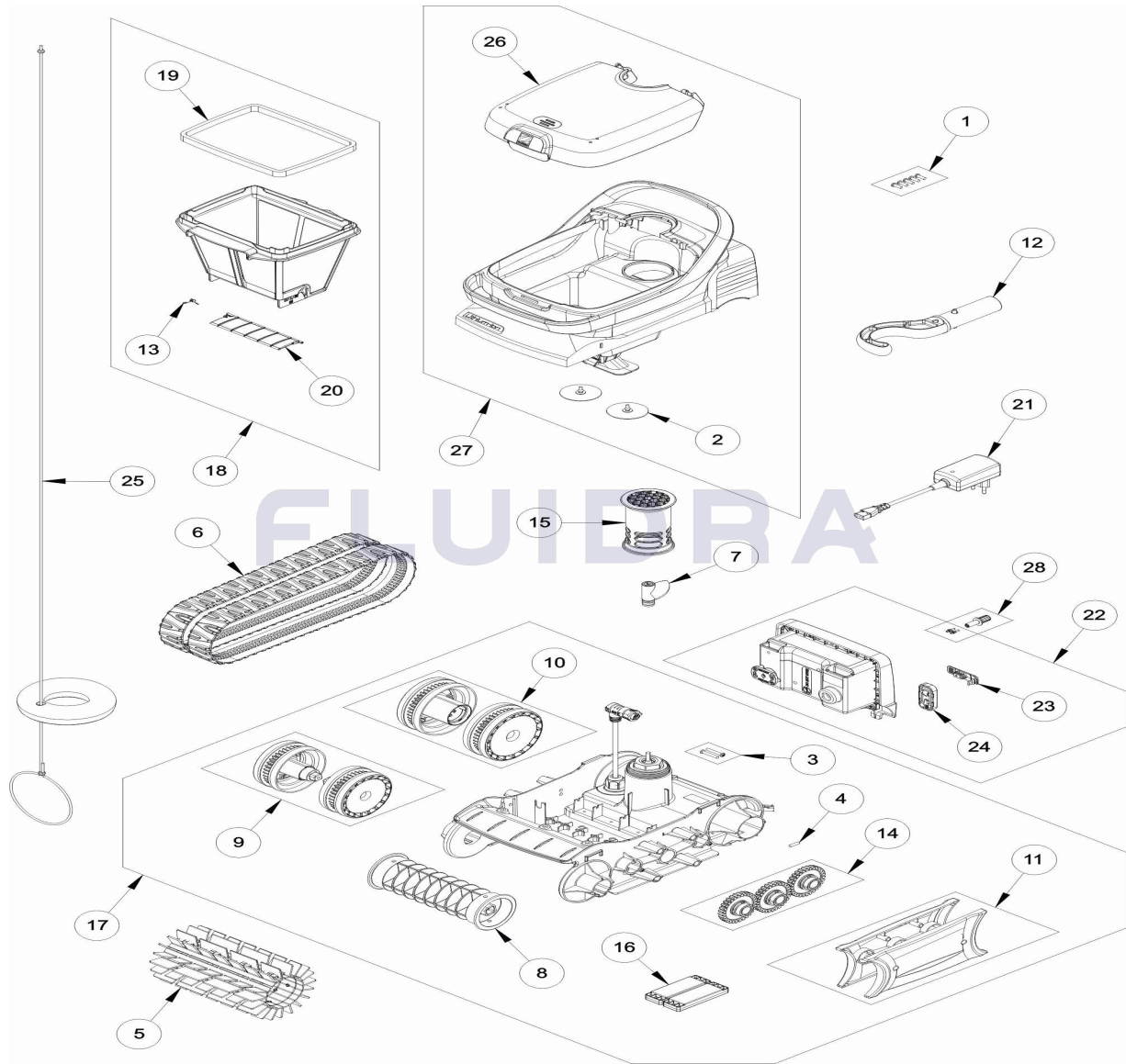
POS	CODE	DESCRIPTION	QUANTITE	POS	CODE	DESCRIPTION	QUANTITE
1	R0516700	VIS 4*12 MM (X5)	1	15	R1065700	CANAL DE FLUX JAUNE TB	1
2	R0633300	CLAPET EVACUATION CYCLONX (*3)	1	16	R1065900	GROS BALLAST	1
3	R0638900	VIS 4*25 MM (*5)	1	17	R1066000	CHÂSSIS COMPLET GRIS CLAIR TB	1
4	R0657900	GOUPILLE Ø4 AXE BLOC MOTEUR (*5)	1	18	R1066200	ENSEMBLE FILTRE 150 TB	1
5	R0764900	BROSSE R9022	1	19	R1066400	JOINT COUVERCLE TB	1
6	R0765600	CHENILLES (*2)	1	20	R1066500	CLAPET FILTRE TB	1
7	R0766200	HELICE	1	21	R1066600	CÂBLE DE CHARGE, TB EU	1
8	R0767000	SUPPORT BROSSE	1	22	R1066900	BLOC BATTERIE TB	1
9	R0771800	ROUES AVANT COMPLETES (*2)	1	23	R1067000	BOUCHON DE CHARGE TB	1
10	R0771900	ROUES ARRIERE COMPLETES (*2)	1	24	R1067100	INTERRUPTEUR	1
11	R0772000	FLASQUES	1	25	R1067200	FLOTTEUR DONUT COMPLET TB	1
12	R0972500	CROCHET CB UE	1	26	R1067300	COUVERCLE TRANSPARENT TB	1
13	R1008400	RESSORT CLAPET FILTRE TB	1	27	R1067400	CORPS A TB GRIS	1

CODE **WR000504**DESCRIPTION: **OP-Li 2100**

14	R1065600	SYSTÈME COMPLET D'ENGRENAGES TB	1	28	R1067700	JEU DE GOUPILLES AMOVIBLES TB	1
----	----------	---------------------------------	---	----	----------	-------------------------------	---

CODE **WR000504**

DESCRIPTION: **OP-Li 2100**



ENGLISH

POS	CODE	DESCRIPTION	QUANTITY	POS	CODE	DESCRIPTION	QUANTITY
1	R0516700	SCREWS 4*12 MM (X5)	1	15	R1065700	TB YELLOW FLOW CHANNEL	1
2	R0633300	EXHAUST VALVE CYCLONX (SET OF 3)	1	16	R1065900	BALLAST LARGER	1
3	R0638900	SCREW 4*25 MM (SET OF 5)	1	17	R1066000	COMPLETE CHASSIS LIGHT GREY TB	1
4	R0657900	MOTOR BLOCK SHAFT PIN Ø4 (SET OF 5)	1	18	R1066200	FILTER ASSEMBLY 150 TB	1
5	R0764900	BRUSH R9022	1	19	R1066400	SEAL FILTER TB	1
6	R0765600	TRACKS (SET OF 2)	1	20	R1066500	FLAP FILTER TB	1
7	R0766200	IMPELLER	1	21	R1066600	CHARGING CORD, TB EU	1
8	R0767000	BRUSH HOLDER	1	22	R1066900	BATTERY BLOCK TB	1
9	R0771800	COMPLETE FRONT WHEELS (SET OF 2)	1	23	R1067000	CHARGING CAP TB	1
10	R0771900	COMPLETE BACK WHEELS (SET OF 2)	1	24	R1067100	POWER SWITCH	1
11	R0772000	FLANGES	1	25	R1067200	COMPLETE DONUT FLOAT TB	1
12	R0972500	HOOK CB EU	1	26	R1067300	COVER CLEAR TB	1
13	R1008400	SPRING FILTER TB	1	27	R1067400	BODY A TB GREY	1



PARTS BREAKDOWN

REV.: 0
DATE: 06/05/2024
SHEET: 6/12

10117

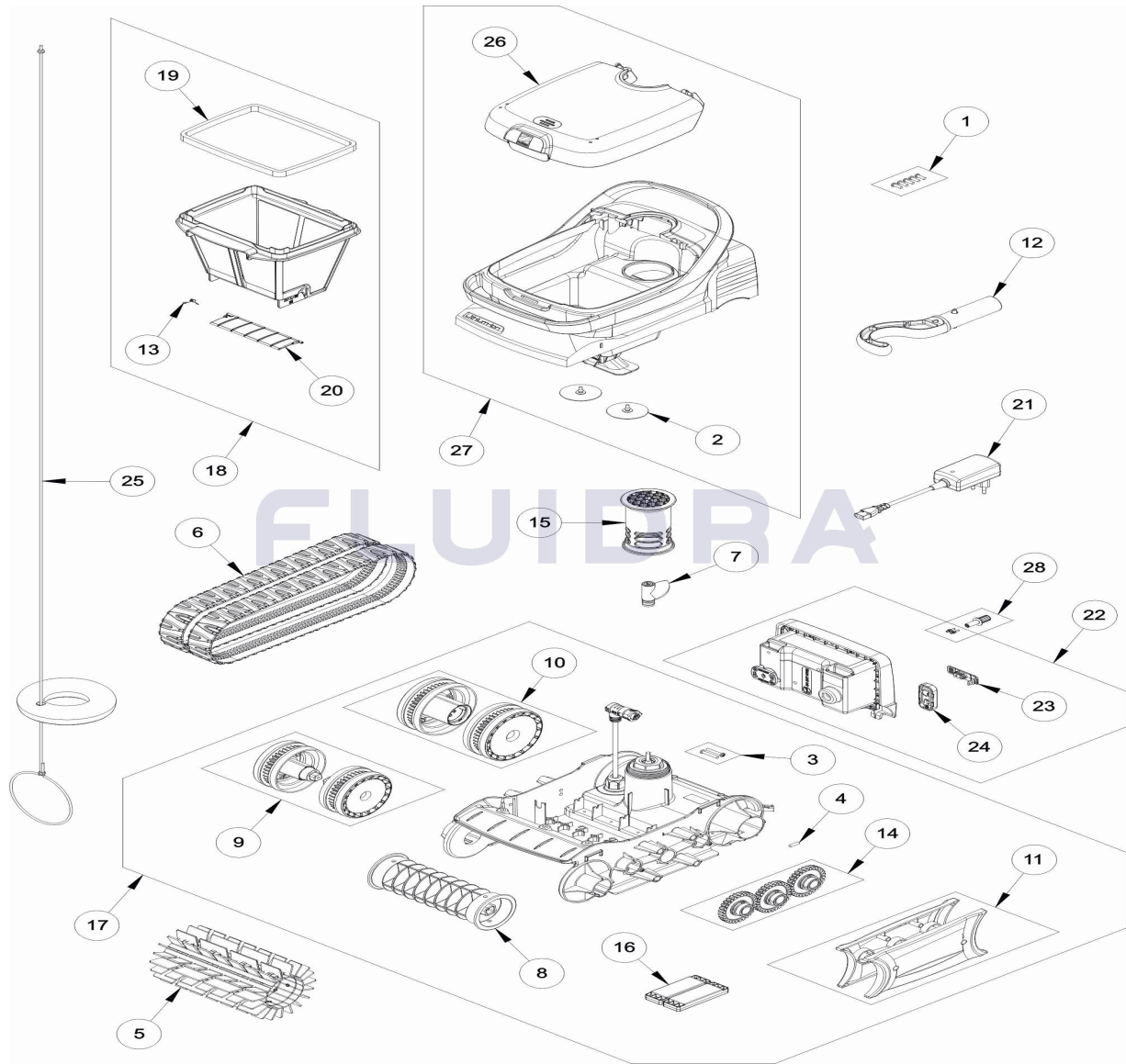
CODE **WR000504**

DESCRIPTION: **OP-Li 2100**

14	R1065600	COMPLETE TB GEAR SYSTEM	1	28	R1067700	REMOVABLE PINS SET TB	1
----	----------	-------------------------	---	----	----------	-----------------------	---

CODICE **WR000504**

DESCRIZIONE: **OP-Li 2100**



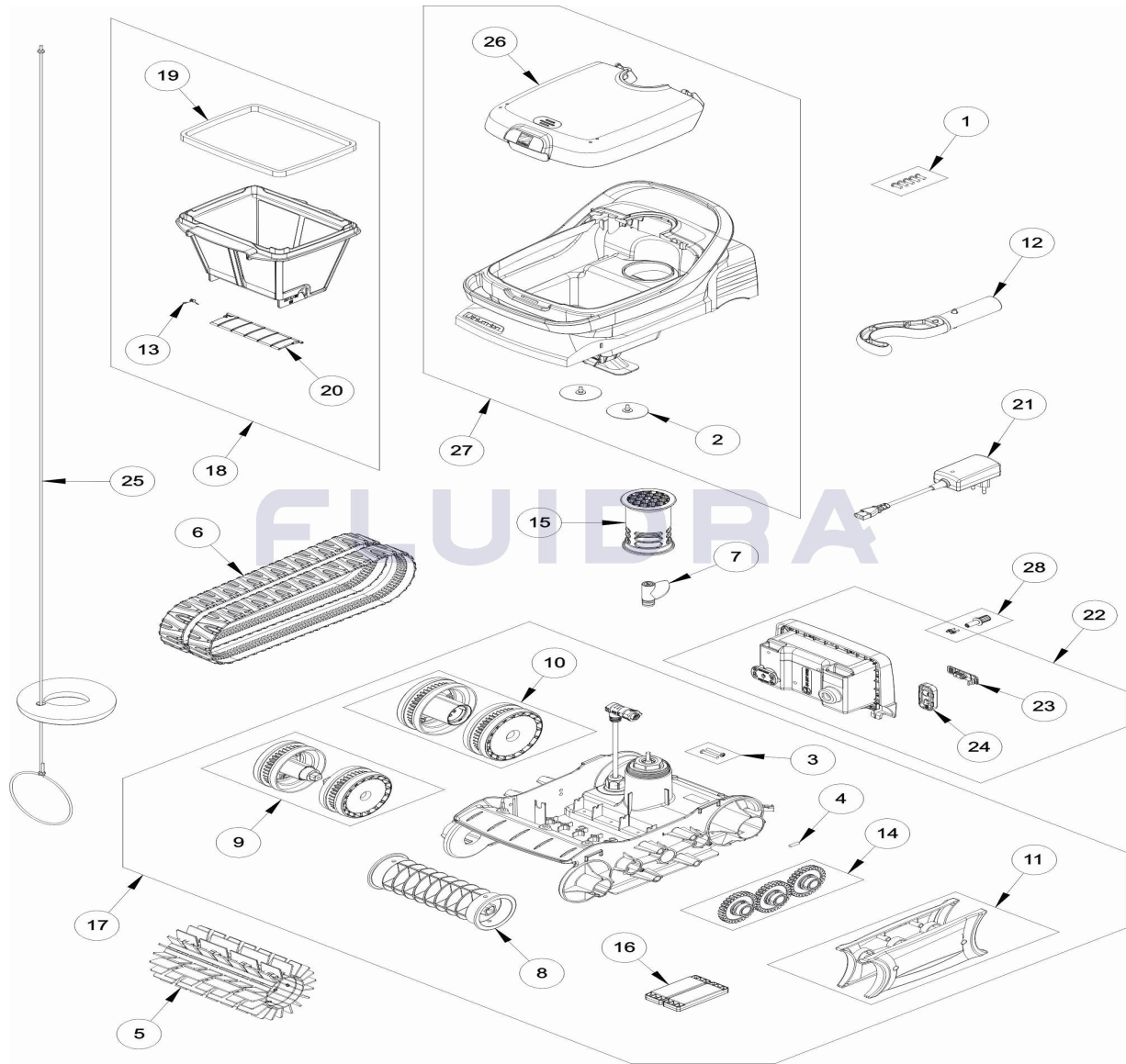
ITALIANO

POS	CODICE	DESCRIZIONE	QUANTITA'	POS	CODICE	DESCRIZIONE	QUANTITA'
1	R0516700	VITE 4*12 MM (*5)	1	15	R1065700	TB CANALE DI FLUSSO GIALLO	1
2	R0633300	VALVOLA DI EVACUAZIONE CYCLONX (*3)	1	16	R1065900	CONTRAPPESI GRANDE	1
3	R0638900	VITE 4*25 MM (*5)	1	17	R1066000	TELAIO COMPLETO GRIGIO CHIARO TB	1
4	R0657900	KIT 5 PIN ALBERO MOTORE	1	18	R1066200	GRUPPO FILTRO 150 TB	1
5	R0764900	SPAZZOLA R9022	1	19	R1066400	GUARNIZIONE COPERCHIO TB	1
6	R0765600	CINGOLI (KIT 2*)	1	20	R1066500	CLAPET FILTRO TB	1
7	R0766200	ELICA	1	21	R1066600	CAVO DI RICARICA, TB EU	1
8	R0767000	SUPPORTO SPAZZOLA	1	22	R1066900	BLOCCO BATTERIA TB	1
9	R0771800	RUOTE ANTERIORI COMPLETE (KIT 2*)	1	23	R1067000	TAPPO DI RICARICA TB	1
10	R0771900	RUOTE POSTERIORI COMPLETE (KIT 2*)	1	24	R1067100	INTERRUTTORE DI POTENZA	1
11	R0772000	FLANGE	1	25	R1067200	GALLEGGIANTE CIAMBELLA COMPLETO TB	1
12	R0972500	GANCIO CB UE	1	26	R1067300	COPERCHIO TRASPARENTE TB	1
13	R1008400	MOLLA CLAPET FILTRO TB	1	27	R1067400	CORPO A TB GRIGIO	1

CODICE **WR000504**DESCRIZIONE: **OP-Li 2100**

14	R1065600	SISTEMA DI INGRANAGGI TB COMPLETO	1	28	R1067700	SET PERNI RIMOVIBILI TB	1
----	----------	-----------------------------------	---	----	----------	-------------------------	---

CODE **WR000504**

 BESCHREIBUNG: **OP-Li 2100**


DEUTSCH

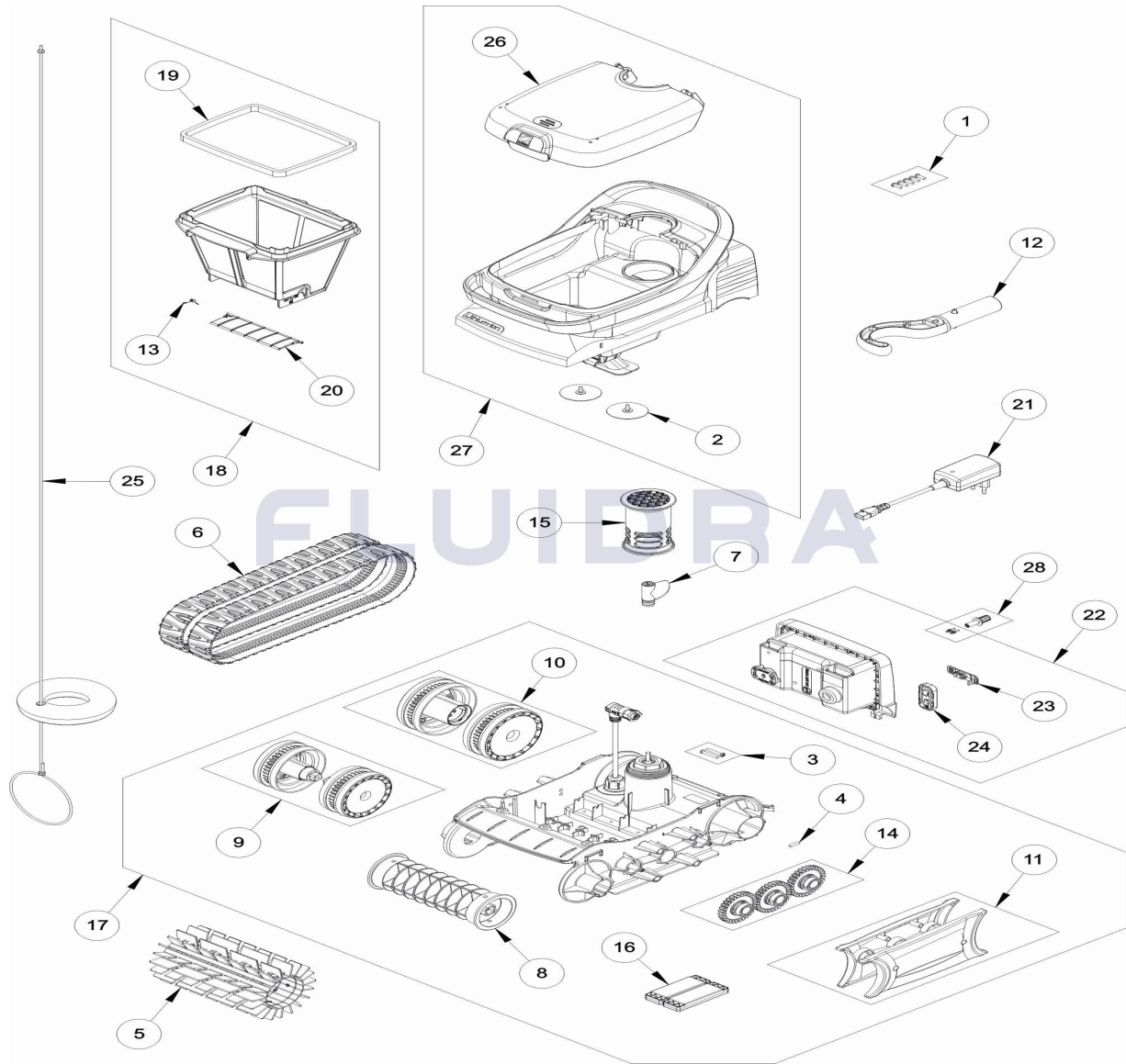
POS	CODE	BESCHREIBUNG	MENGE	POS	CODE	BESCHREIBUNG	MENGE
1	R0516700	SCHRAUBE 4 * 12 MM(SET mit 5 Stk.)	1	15	R1065700	TB GELBER STRÖMUNGSKANAL	1
2	R0633300	AUSLASSVENTIL CYCLONX (SET mit 3 Stk)	1	16	R1065900	GROSSER BALLAST	1
3	R0638900	SCHRAUBE 4 * 25 MM, A2 (SET mit 5 Stk.)	1	17	R1066000	KOMPLETTES FAHRGESTELL HELLGRAU T	1
4	R0657900	BEFESTIGUNGSSTIFT FÜR MOTORBLOCK	1	18	R1066200	FILTERBAUGRUPPE 150 TB	1
5	R0764900	BÜRSTE R9022	1	19	R1066400	FILTERDECKELDICHTUNG TB	1
6	R0765600	RAUPENBAND (SET MIT 2 STÜCK)	1	20	R1066500	FILTERVENTILDECKEL TB	1
7	R0766200	PROPELLER	1	21	R1066600	LADEKABEL, TB EU	1
8	R0767000	BÜRSTENHALTER	1	22	R1066900	BATTERIEBLOCK TB	1
9	R0771800	KOMPLETTE VORDERRÄDER (SET MIT 2 S	1	23	R1067000	LADEKAPPE TB	1
10	R0771900	KOMPLETTE HINTERRÄDER (SET MIT 2 ST	1	24	R1067100	STROMSCHALTER	1
11	R0772000	SEITENTEILE (RECHTS / LINKS)	1	25	R1067200	KOMPLETTES DONUT FLOAT TB	1
12	R0972500	HAKEN CB EU	1	26	R1067300	TRANSPARENTER DECKEL TB	1
13	R1008400	FILTER VENTIL ABDECKUNGS FEDER	1	27	R1067400	KÖRPER A TB GRAU	1

CODE **WR000504**BESCHREIBUNG: **OP-Li 2100**

14	R1065600	KOMPLETTES TB-GETRIEBESYSTEM	1	28	R1067700	ABNEHMBARE STIFTE SET TB	1
----	----------	------------------------------	---	----	----------	--------------------------	---

CODIGO **WR000504**

DESCRIÇÃO: **OP-LI 2100**



PORTUGUES

POS	CODIGO	DESCRIÇÃO	JANTIDADE	POS	CODIGO	DESCRIÇÃO	JANTIDADE
1	R0516700	PARAFUSO 4*12 MM (Pack 5 UN)	1	15	R1065700	CANAL DE FLUXO AMARELO TB	1
2	R0633300	BORRACHA DE EVACUAÇÃO CYCLONX (P)	1	16	R1065900	GRANDE LASTRO	1
3	R0638900	PARAFUSO 4*25 MM (Pack 5 UN)	1	17	R1066000	CHASSIS COMPLETO CINZENTO CLARO TE	1
4	R0657900	PASSADOR Ø4 EIXO BLOCO MOTOR (PACK 2 UN)	1	18	R1066200	CONJUNTO DE FILTRO 150 TB	1
5	R0764900	ESCOVAS R9022	1	19	R1066400	JUNTA DE TAMPA TB	1
6	R0765600	LAGARTAS (PACK 2 UN)	1	20	R1066500	VÁLVULA DO FILTRO TB	1
7	R0766200	HÉLICE	1	21	R1066600	CABO DE CARREGAMENTO, TB UEE	1
8	R0767000	SUPORTE ESCOVAS	1	22	R1066900	BLOCO DE BATERIA TB	1
9	R0771800	RODAS DIANTEIRAS COMPLETAS (PACK 2 UN)	1	23	R1067000	TAMPA DE CARREGAMENTO TB	1
10	R0771900	RODAS TRASEIRAS COMPLETAS (PACK 2 UN)	1	24	R1067100	INTERRUPTOR DE ALIMENTAÇÃO	1
11	R0772000	TAMPAS LATERAIS	1	25	R1067200	KOMPLETTES DONUT FLOAT TB	1
12	R0972500	GANCHO CB UE	1	26	R1067300	TAMPA TRANSPARENTE TB	1
13	R1008400	MOLA DA VÁLVULA DO FILTRO TB	1	27	R1067400	CORPO UM TB CINZA	1



ITEM

REV.: 0
DATA: 06/05/2024
FOLHA: 12/12

10117

CODIGO **WR000504**

DESCRIÇÃO: **OP-LI 2100**

14	R1065600	SISTEMA DE ENGENHAGEM COMPLETO T	1	28	R1067700	CONJUNTO DE PINOS REMOVÍVEIS TB	1
----	----------	----------------------------------	---	----	----------	---------------------------------	---