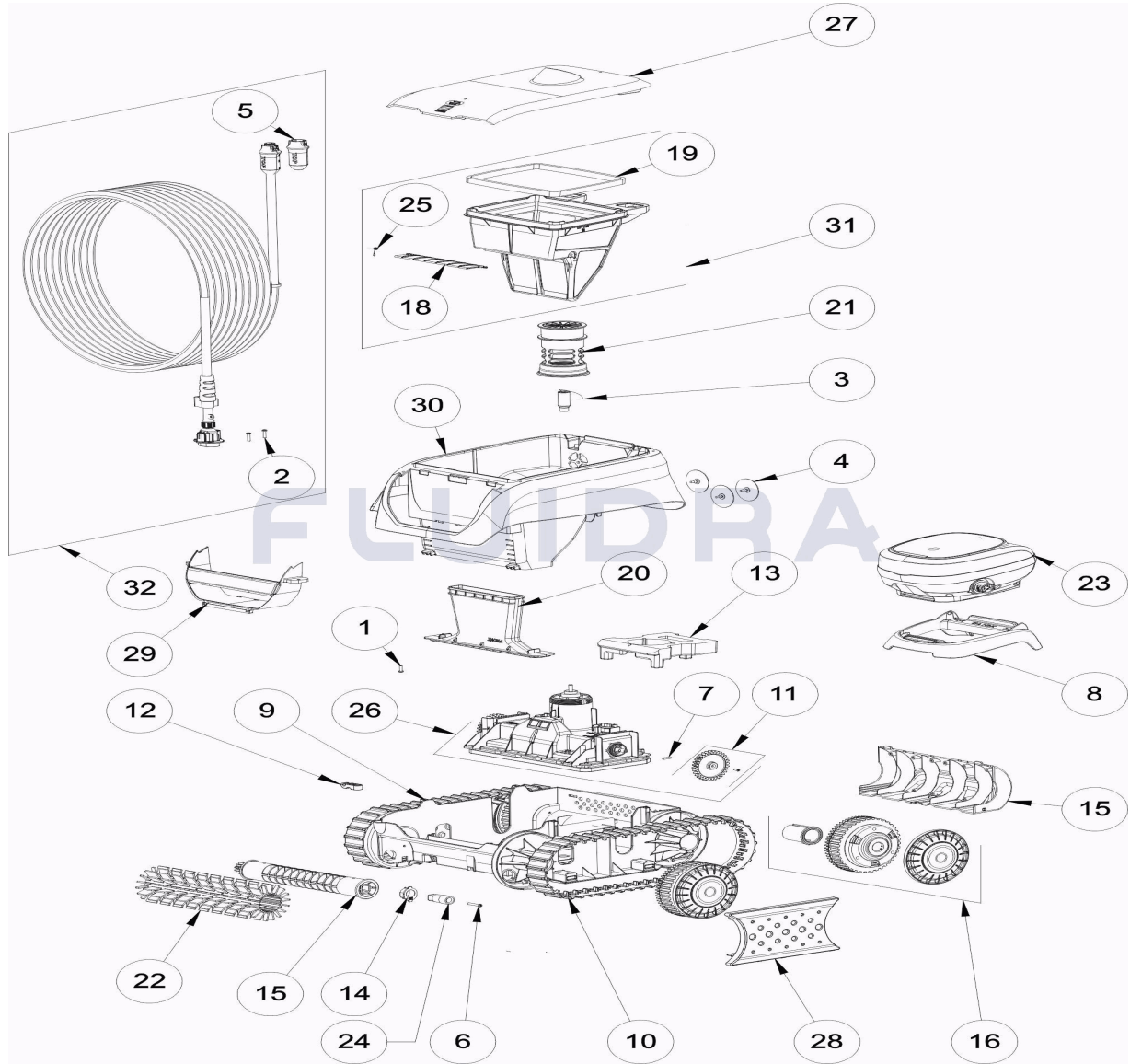


CODIGO **WR000583**

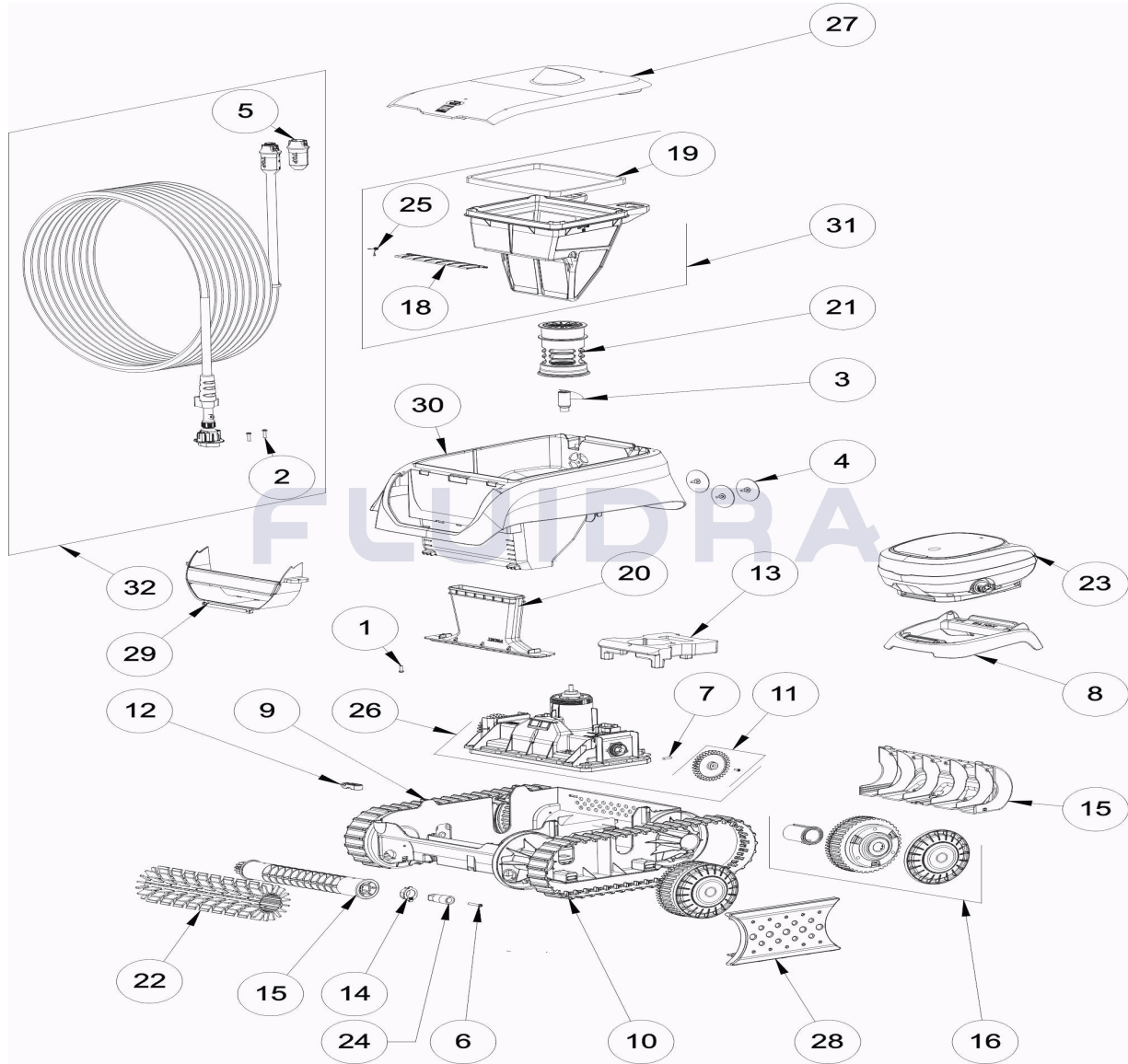
 DESCRIPCION: **SWY 3500**

ESPAÑOL

POS	CODIGO	DESCRIPCION	CANTIDAD	POS	CODIGO	DESCRIPCION	CANTIDAD
1	R0516700	TORNILLO 4*12 MM (PACK DE 5 UN.)	1	16	R0897300	RUEDA CN	4
2	R0608500	TORNILLO 4*16 MM (PACK DE 5 UN)	1	17	R0940400	GRANDE RODILLO PORTACEPILLOS CN	1
3	R0633200	HÉLICE CYCLONX	1	18	R0999800	TAPA VALVULA DEL FILTRO CN F	1
4	R0633300	GOMA DE EVACUACIÓN CYCLONX (Pack 3	1	19	R0999900	JUNTA TAPA DEL FILTRO CN F	1
5	R0634100	CUERPO CONECTOR 3 PINS	1	20	R1000000	PEQUEÑO CANALIZADOR DE ASPIRACION	1
6	R0638900	TORNILLO 4*25 MM (Pack 5 UN)	1	21	R1000100	PEQUEÑO CANALIZADOR DE FLUJO CN F	1
7	R0657900	PASADOR ø4 EJE BLOQUE MOTOR (PACK	1	22	R1000200	GRANDE CEPILLOS CN GRIS CLARO	1
8	R0662600	SOPORTE UNIDAD DE CONTROL	1	23	R1000600	UNIDAD DE CONTROL CN TYPE 6 EU	1
9	R0895100	CHASIS CN	1	24	R1005500	KIT PIÑÓN CN (*2)	1
10	R0895200	ORUGA CN (*2)	1	25	R1008400	MUELLE FILTRO TB	1
11	R0895600	PIÑÓN CN (*2)	1	26	R1009300	BLOQUE MOTOR CN TIPO 6	1
12	R0896200	BRIDA FIJACION DEL CABLE CN	1	27	R1070900	TAPA COMPLETA BODY G GRIS OSCURO R	1
13	R0896300	FLOTADOR CHASIS CN	1	28	R1071100	CUERPO BRIDA D RAL 7021 CN *2	1

CODIGO **WR000583**DESCRIPCION: **SWY 3500**

14	R0896600	KIT CASQUILLOS EJE CEPILLO EXTERIOR	1	29	R1071200	EMPUÑADURA AZUL CIAN GRIS BODY G CI	1
15	R0896800	TAPA TRASERA CHASIS CN	1	30	R1071400	BODY G GRIS OSCURO PMS SIN VENTANA	1
31	R1071700	FILTRO PEQUEÑO GRUESO 100M CN KIT	1	32	R1071800	CABLE FLOTANTE CN 14M	1

CODE **WR000583**

 DESCRIPTION: **SWY 3500**


FRANCAIS

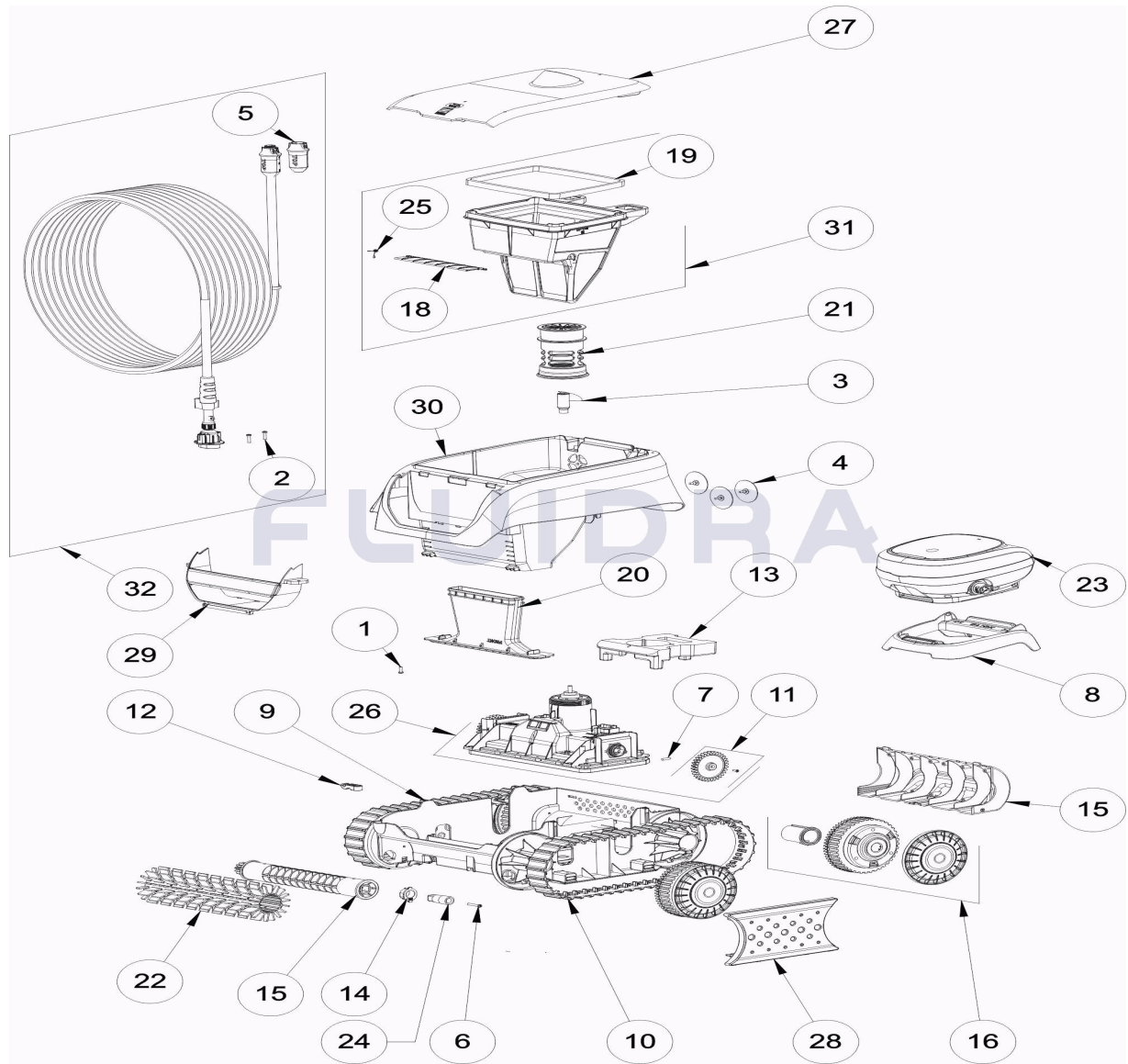
POS	CODE	DESCRIPTION	QUANTITE	POS	CODE	DESCRIPTION	QUANTITE
1	R0516700	VIS 4*12 MM (X5)	1	16	R0897300	ROUE CN	4
2	R0608500	VIS 4*16 MM A4 (*5)	1	17	R0940400	SUPPORT BROSSE LARGE CN	1
3	R0633200	HELICE CYCLONX	1	18	R0999800	CLAPET FILTRE CN F	1
4	R0633300	CLAPET EVACUATION CYCLONX (*3)	1	19	R0999900	JOINT COUVERCLE CN F	1
5	R0634100	CAPOT CONNECTEUR 3 PTS	1	20	R1000000	PETIT CONDUIT ASPIRATION CN F	1
6	R0638900	VIS 4*25 MM (*5)	1	21	R1000100	PETIT GUIDE FLUX CN F	1
7	R0657900	GOUPILLE ø4 AXE BLOC MOTEUR (*5)	1	22	R1000200	BROSSE LARGE CN GRIS CLAIR	1
8	R0662600	SOCLE COFFRET COMMANDE	1	23	R1000600	COFFRET DE COMMANDE CN TYPE 6 EU	1
9	R0895100	CHASSIS CN	1	24	R1005500	PIGNON BROSSE CN (*2)	1
10	R0895200	CHENILLE CN (*2)	1	25	R1008400	RESSORT CLAPET FILTRE TB	1
11	R0895600	PIGNON CN (*2)	1	26	R1009300	BLOC MOTEUR CN TYPE 6	1
12	R0896200	ATTACHE CABLE CN	1	27	R1070900	COUVERCLE COMPLET BODY G GRIS FON	1
13	R0896300	FLOTTEUR CHASSIS CN	1	28	R1071100	CORPS DE BRIDE D RAL 7021 CN *2	1

CODE **WR000583**DESCRIPTION: **SWY 3500**

14	R0896600	PALIER EXTERIEUR CN (*2)	1	29	R1071200	POIGNEE BLEU CYAN GRIS BODY G CN	1
15	R0896800	CACHE BROSSE ARRIERE CN	1	30	R1071400	BODY G GRIS FONCÉ PMS SANS FENÊTRE	1
31	R1071700	KIT PETIT FILTRE GROS 100M CN	1	32	R1071800	CABLE FLOTTANT CN 14M	1

CODE **WR000583**

DESCRIPTION: **SWY 3500**



ENGLISH

POS	CODE	DESCRIPTION	QUANTITY	POS	CODE	DESCRIPTION	QUANTITY
1	R0516700	SCREWS 4*12 MM (X5)	1	16	R0897300	WHEEL CN, BLACK	4
2	R0608500	SCREW 4*16MM (set of 5)	1	17	R0940400	LARGE BRUSH ROLLER CN	1
3	R0633200	IMPELLER CYCLONX	1	18	R0999800	FLAP FILTER BODY F CN	1
4	R0633300	EXHAUST VALVE CYCLONX (SET OF 3)	1	19	R0999900	SEAL FILTER BODY F CN	1
5	R0634100	CONNECTOR 3PTS BODY	1	20	R1000000	INLET CHANNEL SMALL CN	1
6	R0638900	SCREW 4*25 MM (SET OF 5)	1	21	R1000100	FLOW OUTLET SMALL CN	1
7	R0657900	MOTOR BLOCK SHAFT PIN Ø4 (SET OF 5)	1	22	R1000200	LARGE BRUSH CLASSIC LIGHT GREY CN	1
8	R0662600	CONTROL UNIT BASE	1	23	R1000600	CONTROL BOX CN TYPE 6 UNBRANDED EL	1
9	R0895100	LOWER HOUSING CHASSIS CN	1	24	R1005500	GEAR BRUSH MACHINED CN (*2)	1
10	R0895200	TRACK CN (*2)	1	25	R1008400	SPRING FILTER TB	1
11	R0895600	DRIVE GEAR KIT (*2)	1	26	R1009300	MOTOR BLOCK CN TYPE 6	1
12	R0896200	CABLE STRAIN RELIEF CN	1	27	R1070900	COMPLETE COVER BODY G DARK GRAY R	1
13	R0896300	CHASSIS FLOAT CN	1	28	R1071100	FLANGE BODY D RAL 7021 CN *2	1



PARTS BREAKDOWN

REV.: 0
DATE: 06/05/2024
SHEET: 6/12

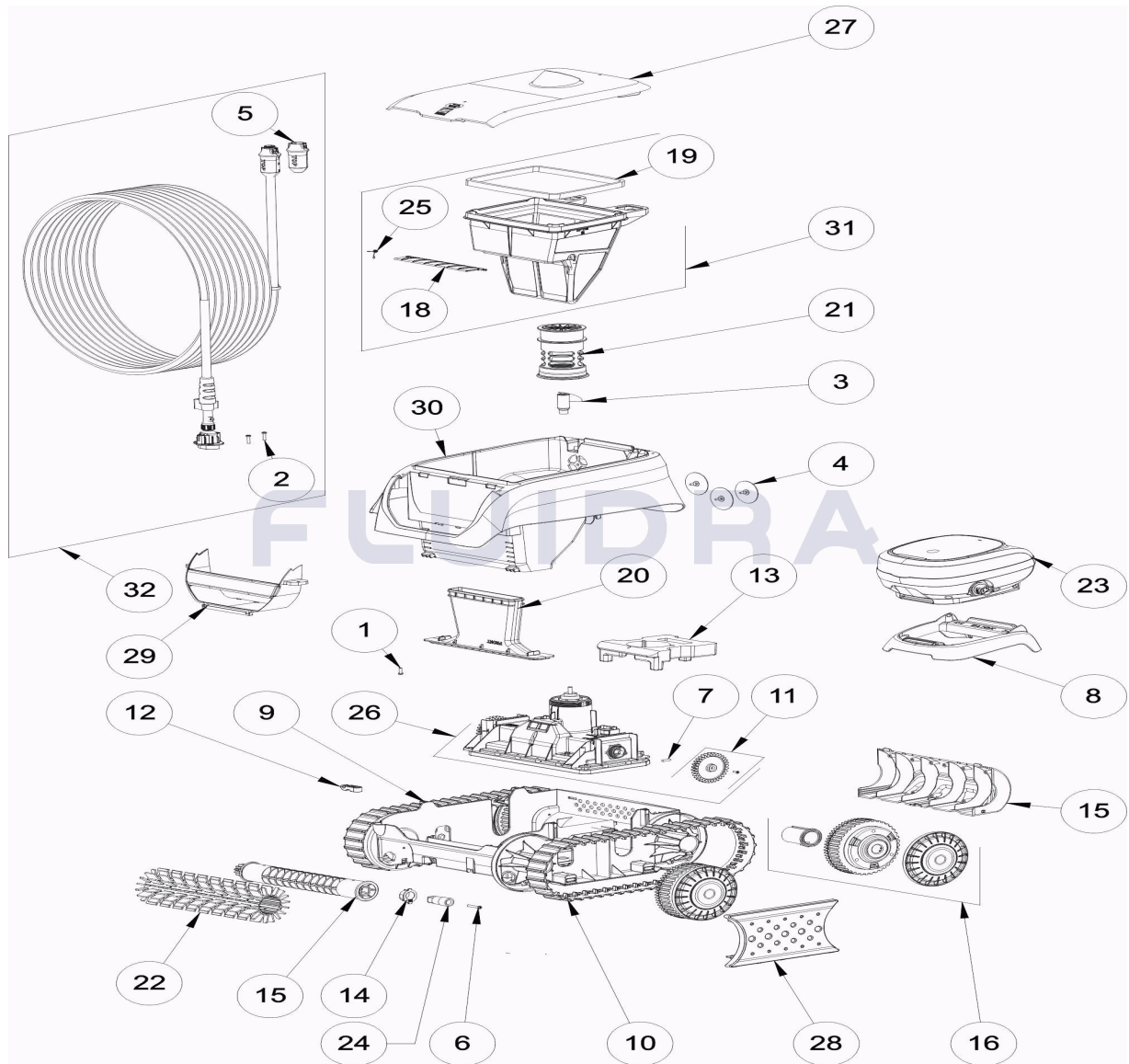
10118

CODE **WR000583**

DESCRIPTION: **SWY 3500**

14	R0896600	OUTER BEARING CN, (*2)	1	29	R1071200	HANDLE CYAN BLUE GREY BODY G CN	1
15	R0896800	REAR CHASSIS COVER CN	1	30	R1071400	BODY G DARK GREY PMS W/O WINDOW	1
31	R1071700	SMALL FILTER COARSE 100M CN KIT	1	32	R1071800	FLOATING CABLE CN, 14M	1

CODICE **WR000583**

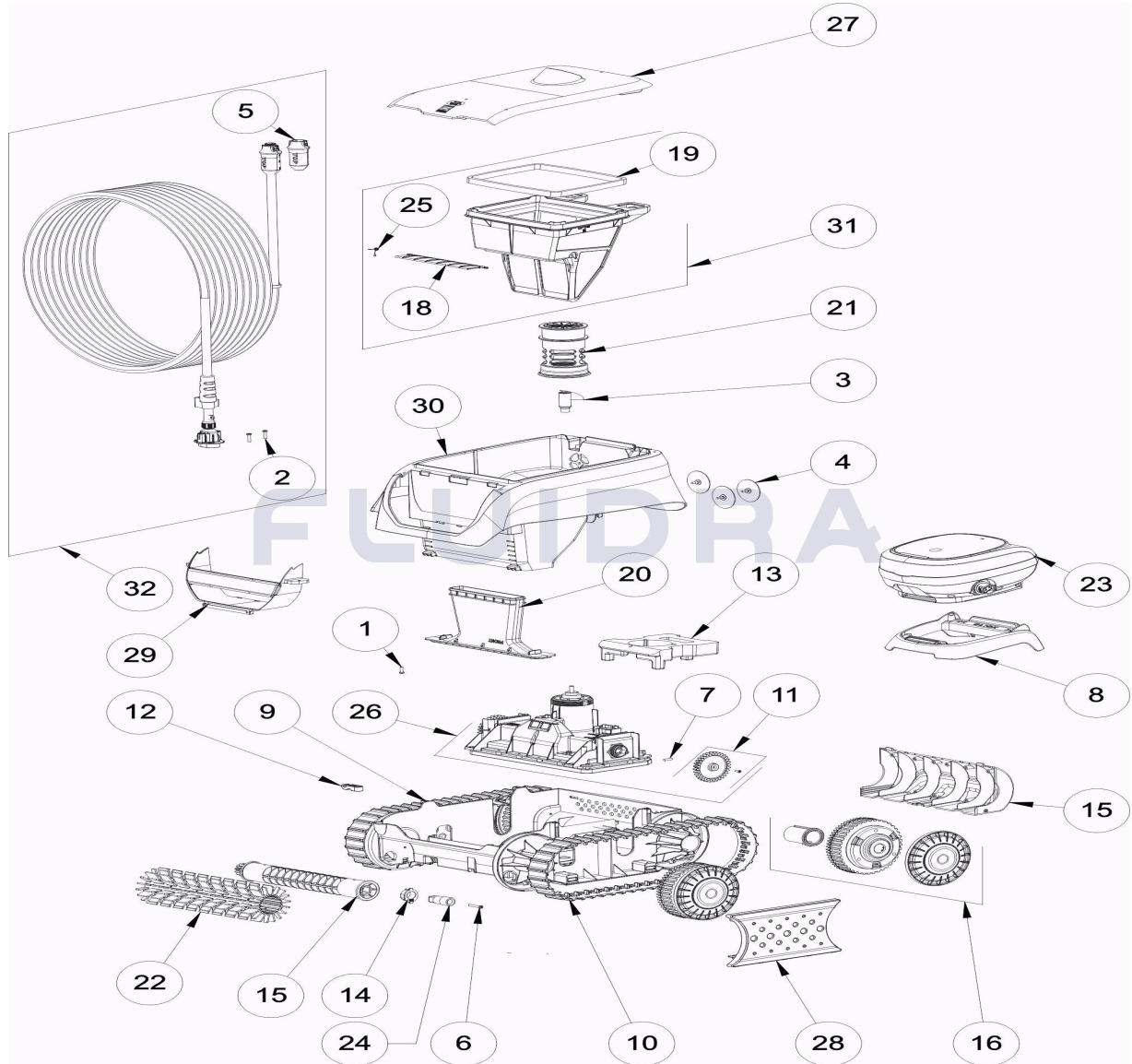
 DESCRIZIONE: **SWY 3500**

ITALIANO

POS	CODICE	DESCRIZIONE	QUANTITA'	POS	CODICE	DESCRIZIONE	QUANTITA'
1	R0516700	VITE 4*12 MM (*5)	1	16	R0897300	RUOTA CN	4
2	R0608500	VITE 4*16 MM A4 (*5)	1	17	R0940400	GRANDE SUPPORTO SPAZZOLA CN	1
3	R0633200	ELICA CYCLONX	1	18	R0999800	CLAPET FILTRO CN F	1
4	R0633300	VALVOLA DI EVACUAZIONE CYCLONX (*3)	1	19	R0999900	GUARNIZIONE COPERCHIO CN F	1
5	R0634100	ADATTATORE CAVO 3 PTS	1	20	R1000000	PICCOLO CONDOTTO ASPIRAZIONE CN F	1
6	R0638900	VITE 4*25 MM (*5)	1	21	R1000100	PICCOLO GUIDA FLUSSO CN F	1
7	R0657900	KIT 5 PIN ALBERO MOTORE	1	22	R1000200	GRANDE SPAZZOLE CN GRIGIO CHIARO	1
8	R0662600	PIEDISTALLO QUADRO COMANDI	1	23	R1000600	QUADRO COMANDI CN TYPE 6 EU	1
9	R0895100	TELAIO	1	24	R1005500	PIGNONE SPAZZOLA CN (*2)	1
10	R0895200	CINGOLI CN (*2)	1	25	R1008400	MOLLA CLAPET FILTRO TB	1
11	R0895600	PIGNONE CN (*2)	1	26	R1009300	BLOCCO MOTORE CN TIPO 6	1
12	R0896200	AGGANCIO CAVO CN	1	27	R1070900	COVER BODY G GRIGIO SCURO RAL 7021	1
13	R0896300	FLOTTANTE TELAIO CN	1	28	R1071100	CORPO FLANGIA D RAL 7021 CN *2	1

CODICE **WR000583**DESCRIZIONE: **SWY 3500**

14	R0896600	CUSCINETTO ESTERNO CN (*2)	1	29	R1071200	MANIGLIA BLU AZZURRO GRIGIO BODY G (1
15	R0896800	COPERCHIO POSTERIORE TELAIO CN	1	30	R1071400	BODY G GRIGIO SCURO PMS SENZA FINE€	1
31	R1071700	KIT FILTRO PICCOLO GROSSO 100M CN	1	32	R1071800	CAVO GALLEGGIANTE CN 14M	1

CODE **WR000583**

 BESCHREIBUNG: **SWY 3500**

DEUTSCH

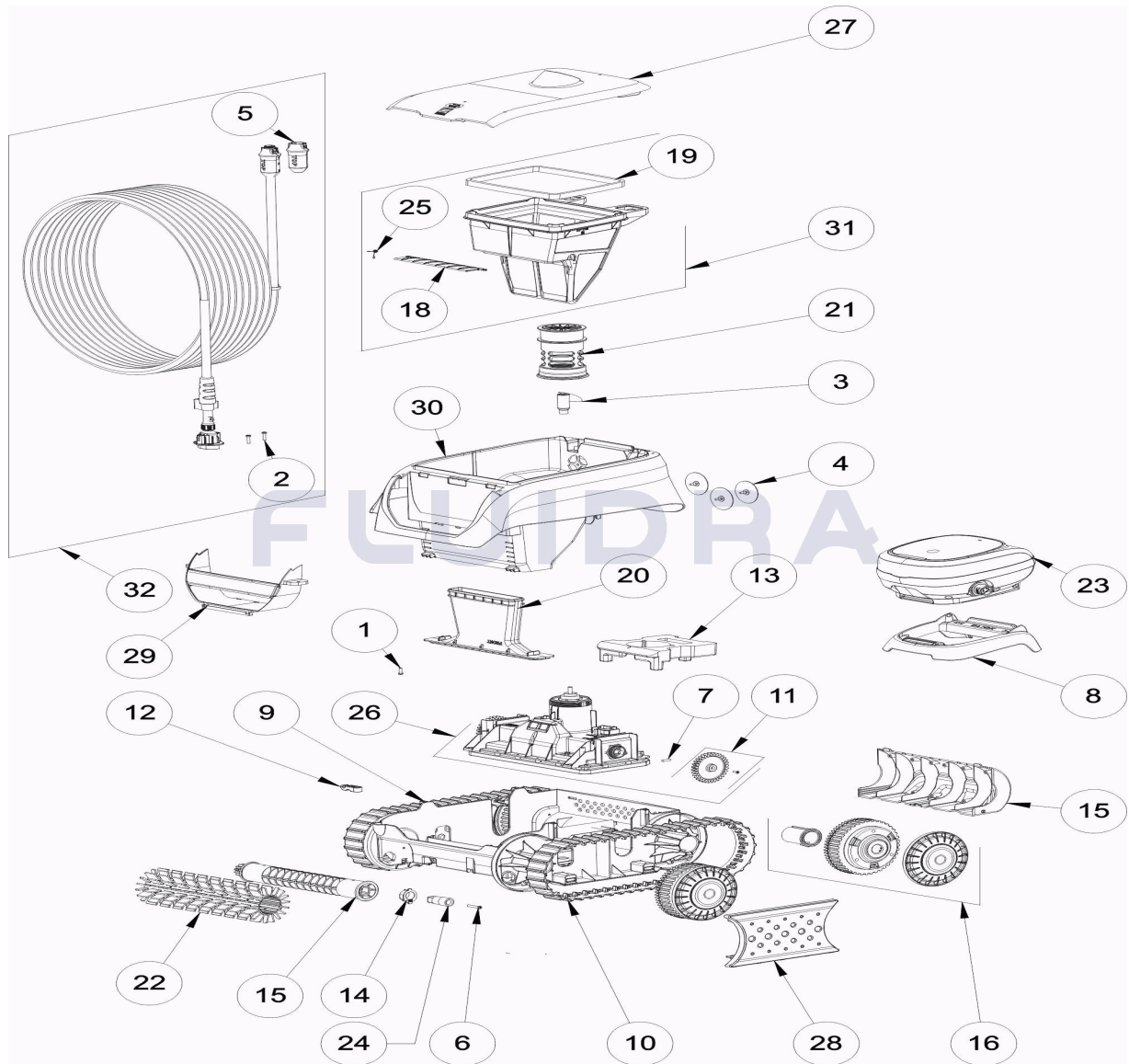
POS	CODE	BESCHREIBUNG	MENGE	POS	CODE	BESCHREIBUNG	MENGE
1	R0516700	SCHRAUBE 4 * 12 MM(SET mit 5 Stk.)	1	16	R0897300	LENKRAD CN	4
2	R0608500	SCHRAUBE 4 * 16 MM, A4 (SET mit 5 Stk.)	1	17	R0940400	GROSSE BÜRSTENROLLE CN	1
3	R0633200	TURBINE (CYCLONX)	1	18	R0999800	FILTERVENTILDECKEL CN F	1
4	R0633300	AUSLASSVENTIL CYCLONX (SET mit 3 Stk)	1	19	R0999900	FILTERDECKELDICHTUNG CN F	1
5	R0634100	STECKERGEHÄUSE (CYCLONX)	1	20	R1000000	EINLASSKANAL KLEIN CN F	1
6	R0638900	SCHRAUBE 4 * 25 MM, A2 (SET mit 5 Stk.)	1	21	R1000100	DURCHFLUSSAUSLASS KLEIN CN F	1
7	R0657900	BEFESTIGUNGSSTIFT FÜR MOTORBLOCK	1	22	R1000200	GROSSER PINSEL HELLGRAU CN	1
8	R0662600	HALTERUNG STEUERBOX	1	23	R1000600	CONTROL BOX CN TYP 6 EU	1
9	R0895100	GEHÄUSE UNTERTEIL CN	1	24	R1005500	ZAHNRADBÜRSTE CN (*2)	1
10	R0895200	RAUPENBAND CN (*2)	1	25	R1008400	FILTER VENTIL ABDECKUNGS FEDER	1
11	R0895600	ZAHNRAD CN (*2)	1	26	R1009300	MOTORBLOCK CN TYP 6	1
12	R0896200	KABELZUGENTLASTUNG CN	1	27	R1070900	GEHÄUSEDECKEL KOMPLETT BODY G DUNI	1
13	R0896300	SCHWIMMKÖRPER CHASSIS CN	1	28	R1071100	FLANSCHKÖRPER D RAL 7021 CN *2	1

CODE **WR000583**BESCHREIBUNG: **SWY 3500**

14	R0896600	LAGER AUSSEN CN (* 2)	1	29	R1071200	GRIFFSTÜCK CYAN BLAU BODY G CN	1
15	R0896800	GEHÄUSEABDECKUNG HINTEN CN	1	30	R1071400	BODY G DUNKELGRAU PMS OHNE FENSTE	1
31	R1071700	KLEINER FILTER GROB 100M CN KIT	1	32	R1071800	SCHWIMMKABEL KOMPLETT CN 14M	1

CODIGO **WR000583**

DESCRIÇÃO: **SWY 3500**



PORTUGUES

POS	CODIGO	DESCRIÇÃO	JANTIDADE	POS	CODIGO	DESCRIÇÃO	JANTIDADE
1	R0516700	PARAFUSO 4*12 MM (Pack 5 UN)	1	16	R0897300	RODA CN	4
2	R0608500	PARAFUSO 4*16 MM A4 (Pack 5 UN)	1	17	R0940400	GRANDE ROLO PORTA-ESCOVAS	1
3	R0633200	HÉLICE CYCLONX	1	18	R0999800	VÁLVULA DO FILTRO CN F	1
4	R0633300	BORRACHA DE EVACUAÇÃO CYCLONX (P)	1	19	R0999900	JUNTA DE TAMPA CN F	1
5	R0634100	CORPO LIGAÇÃO 3 PINS	1	20	R1000000	PEQUENA BOCA DE ASPIRAÇÃO CN F	1
6	R0638900	PARAFUSO 4*25 MM (Pack 5 UN)	1	21	R1000100	PEQUENO CANALIZADOR DE FLUXO CN F	1
7	R0657900	PASSADOR Ø4 EIXO BLOCO MOTOR (PAC)	1	22	R1000200	GRANDE ESCOVAS CN CINZA CLARO	1
8	R0662600	SUPORTE CAIXA DE COMANDOS	1	23	R1000600	UNIDADE DE CONTROLO CN TYPE 6 EU	1
9	R0895100	CHASSIS	1	24	R1005500	PINHÃO, CN (*2)	1
10	R0895200	LAGARTAS CN (*2)	1	25	R1008400	MOLA DA VÁLVULA DO FILTRO TB	1
11	R0895600	RODA DENTADA CN (*2)	1	26	R1009300	BLOCO MOTOR CN TIPO 6	1
12	R0896200	FLANGE DE FIXAÇÃO DE CABO CN	1	27	R1070900	CAPA COMPLETA BODY G CINZA ESCURO I	1
13	R0896300	FLUTUADOR CHASSIS CN	1	28	R1071100	CORPO FLANGE D RAL 7021 CN *2	1

CODIGO **WR000583**DESCRIÇÃO: **SWY 3500**

14	R0896600	ROLAMENTO EXTERIOR CN (*2)	1	29	R1071200	ADERÊNCIA AZUL CIANO CINZA BODY G CI	1
15	R0896800	TAMPA TRASEIRA CHASSIS CN	1	30	R1071400	BODY G CINZA ESCURO PMS S/ JANELA	1
31	R1071700	KIT PEQUENO FILTRO GROSSO 100M CN	1	32	R1071800	CABO FLUTUANTE CN 14M	1