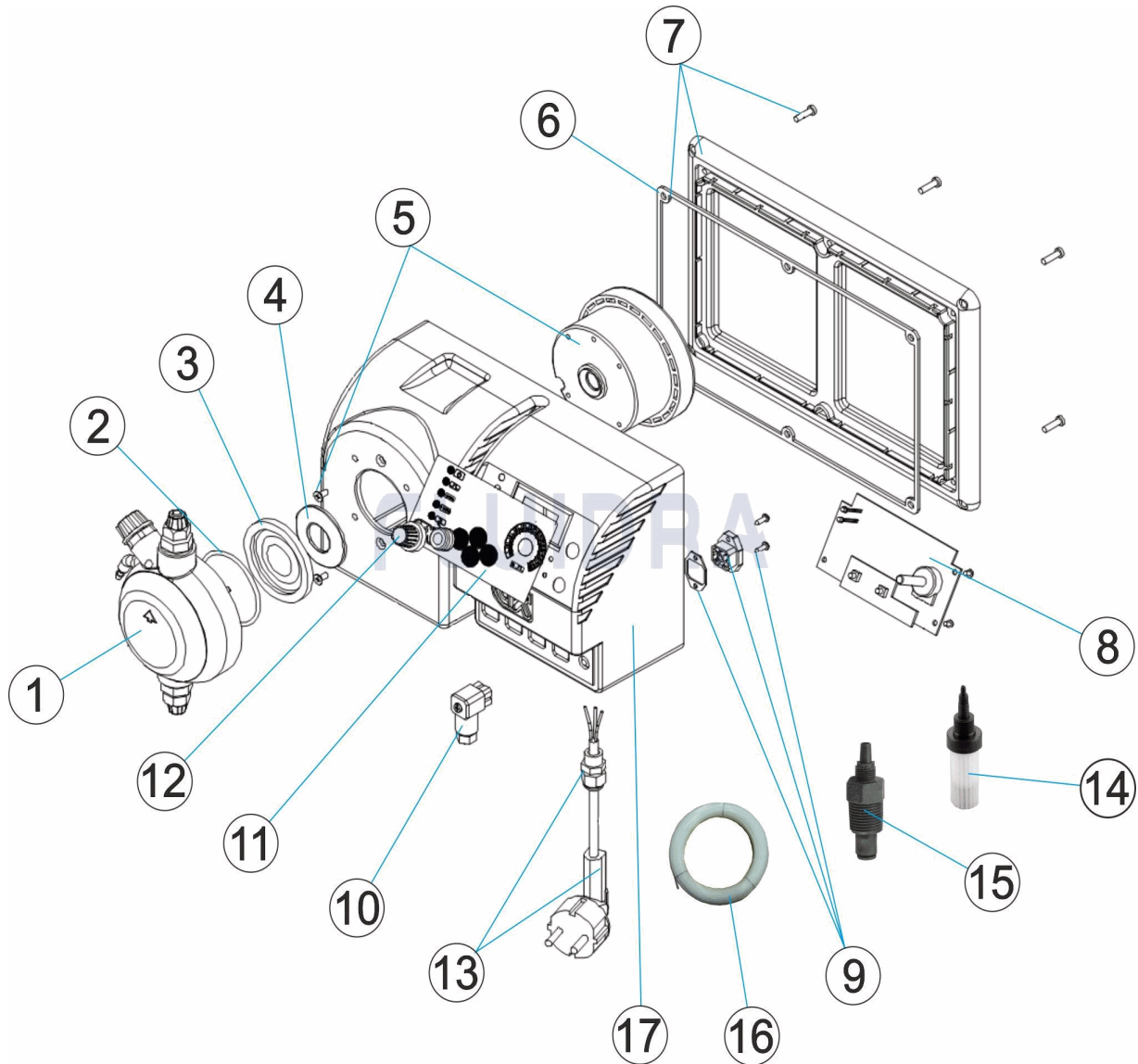


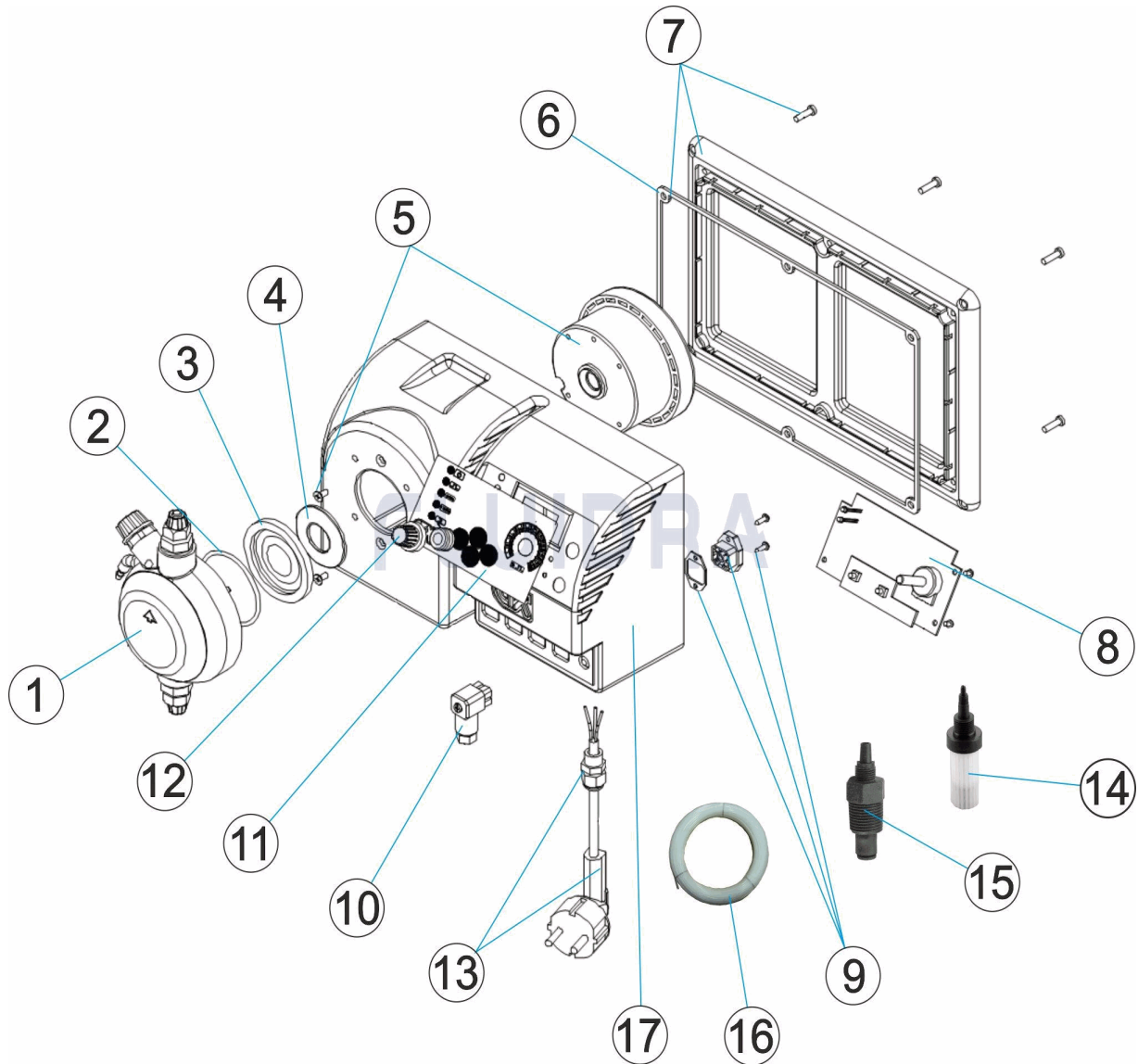
CODIGO **14247**

 DESCRIPCION: **BOMBA DOSIFICADORA CLASS ON-OFF 5L-H. 7 BAR**

ESPAÑOL

POS	CODIGO	DESCRIPCION	CANTIDAD	POS	CODIGO	DESCRIPCION	CANTIDAD
1	CE08031205	CABEZAL COMPLETO		10	CE08031729	CONECTOR DE NIVEL	
2	CE08030111	JUNTA TORICA CABEZAL		11	CE08031118	CARATULA COMANDO MA/A2L	
3	CE08030119	MEMBRANA COMPLETA		12	CE08031806	ARANDELA Y MANDO POTENCIOMETRO	
4	CE08031119	ARANDELA PISTON 2L 5KG - 2L 10KG - 5L 1		13	CE08031221	CABLE ALIMENTACION	
5	CE08030118	ELECTROIMAN COMPLETO 5L 7KG		14	CE08030123	FILTRO ASPIRACION COMPLETO	
6	CE08033108	JUNTA TAPA		15	CE08030121	VALVULA INYECCION COMPLETA	
7	CE08033109	TAPA TRASERA BOMBA		16	CE08030122	TUBO ASPIRACION/IMPULSION	
8	CE08030035	CIRCUITO ELECTRONICO MA/ADL + NIVEL		17	46771R0002	CAJA BOMBA	
9	CE08031113	CJTO. CONECTOR DE NIVEL					

CODE 14247

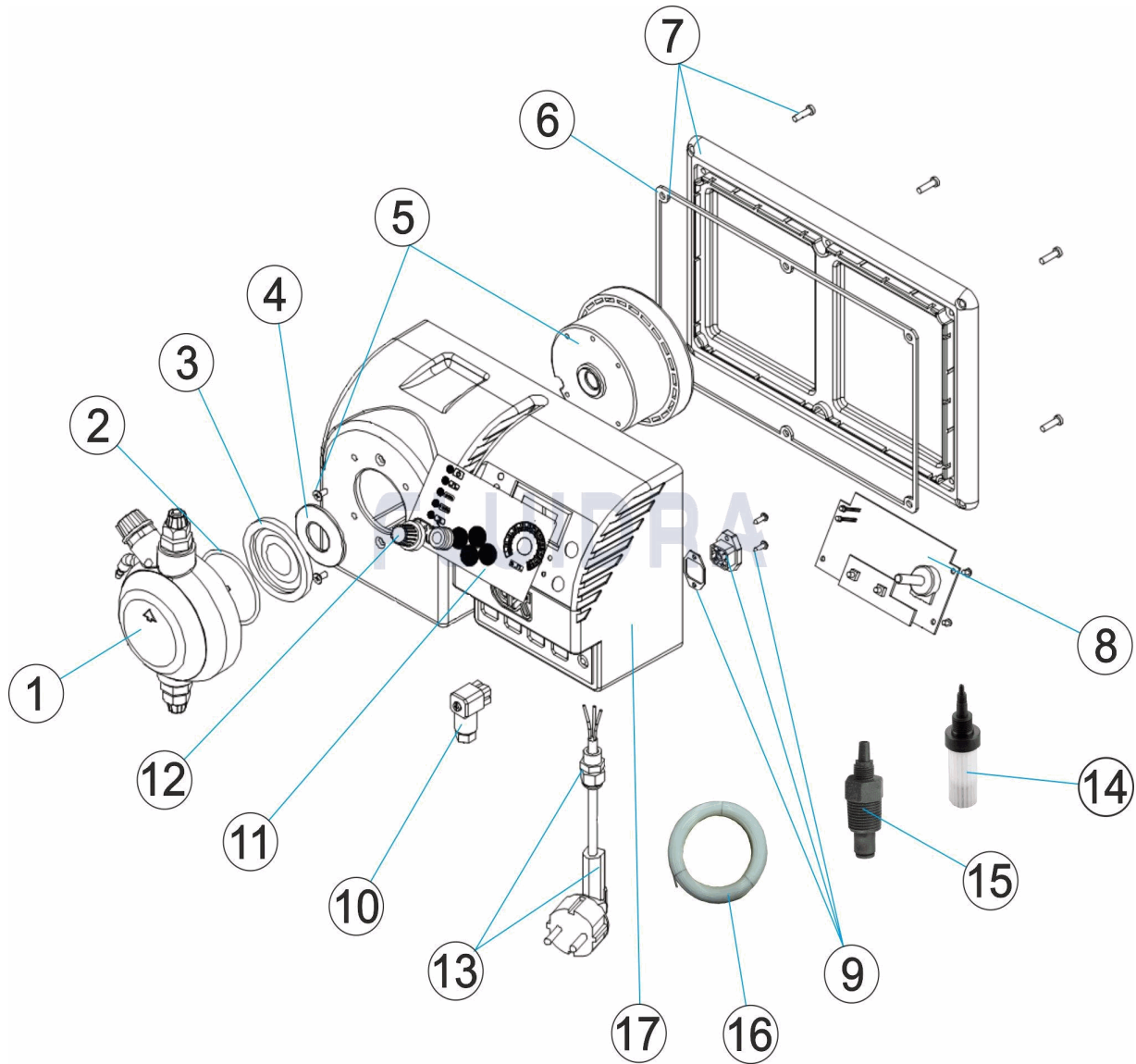
DESCRIPTION: POMPA DOSIFICATRICE CLASS ON-OFF 5L-H. 7 BAR


FRANCAIS

POS	CODE	DESCRIPTION	QUANTITE	POS	CODE	DESCRIPTION	QUANTITE
1	CE08031205	TETE COMPLET		10	CE08031729	CONECTEUR DE NIVEAU	
2	CE08030111	JOINT TORIQUE TETE		11	CE08031118	BOÎTIER COMMANDES MA/A2L	
3	CE08030119	MEMBRANE COMPLETE		12	CE08031806	RONDELLE ET TÉLÉCOMMANDE POTENTIK	
4	CE08031119	RONDELLE PISTON 2L 5KG - 2L 10KG - 5L		13	CE08031221	CABLE ALIMENTATION	
5	CE08030118	ELECTROAIMANT COMPLETO 5L 7KG		14	CE08030123	FILTRE ASPIRATION COMPLETE	
6	CE08033108	JOINT DE COUVERCLE		15	CE08030121	VANNE INJECTION COMPLETE	
7	CE08033109	COUVERCLE POMPE		16	CE08030122	TUBE ASPIRATION/IMPULSION	
8	CE08030035	CIRCUIT ELECTRONIQUE MA/ADL		17	46771R0002	BOITIER DE POMPE	
9	CE08031113	CONECTEUR DE NIVEAU					

CODE **14247**

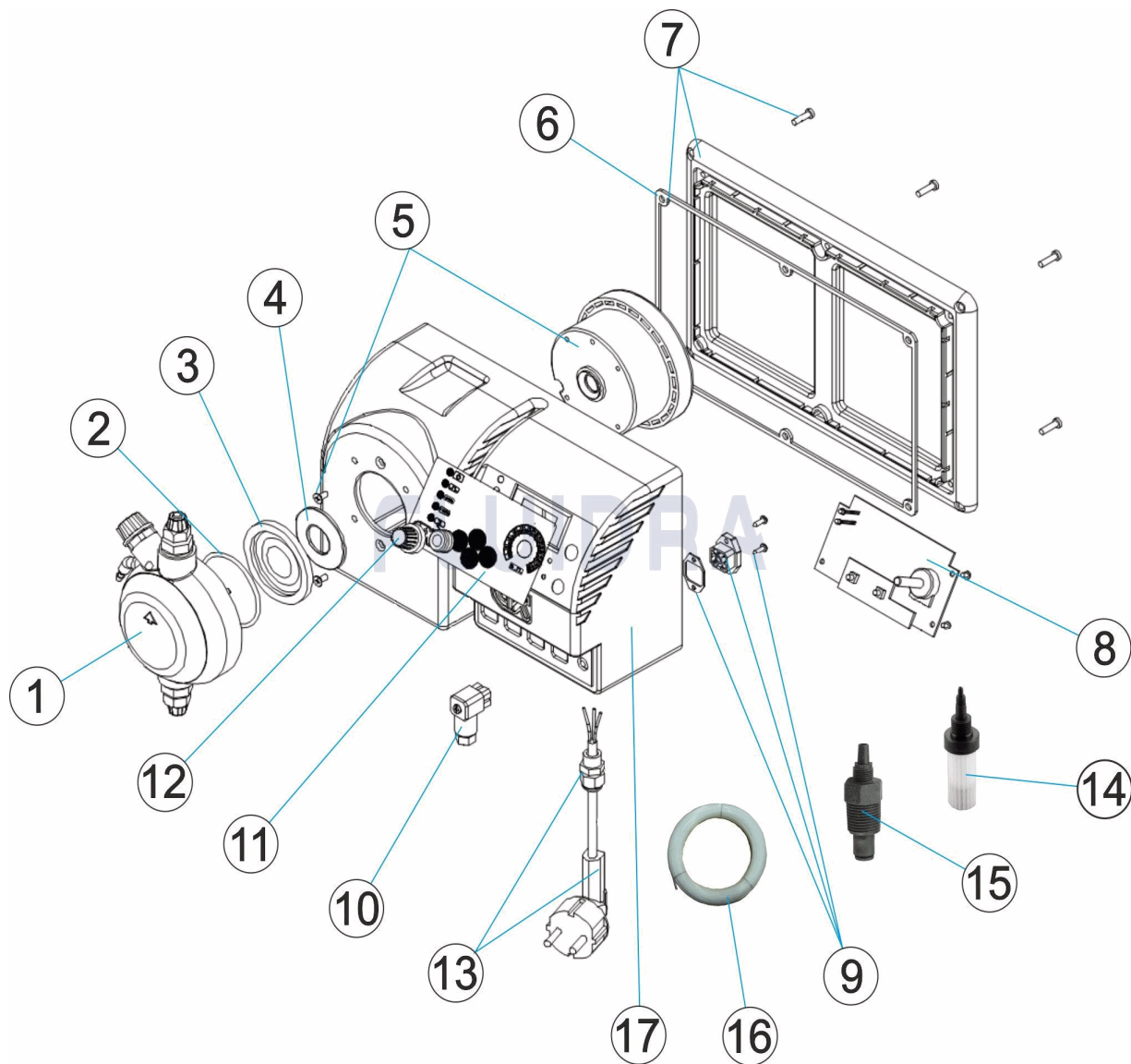
DESCRIPTION: **POMPE DOSEUSE CLASS ON-OFF 5L-H. 7 BAR**



ENGLISH

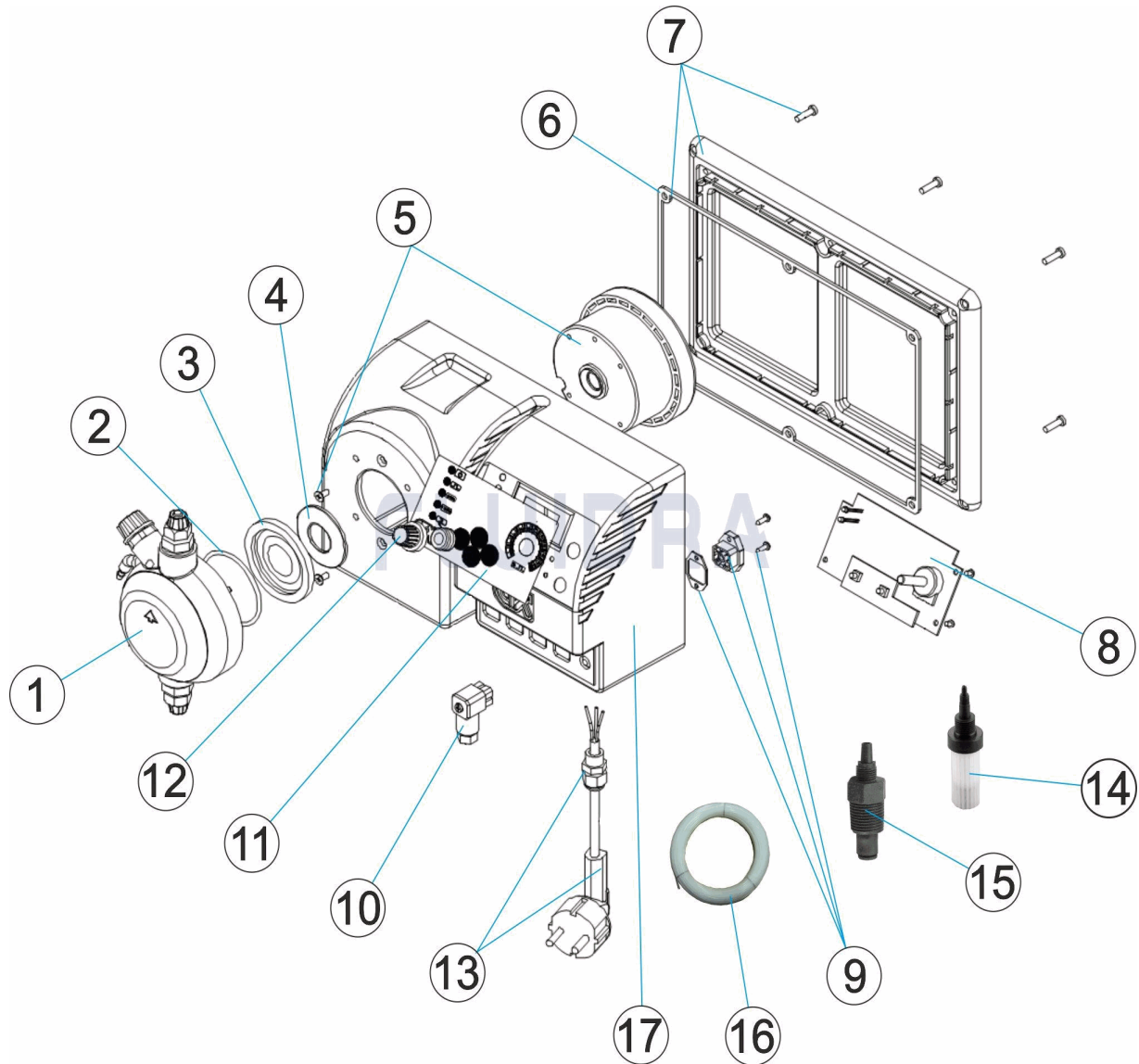
POS	CODE	DESCRIPTION	QUANTITY	POS	CODE	DESCRIPTION	QUANTITY
1	CE08031205	COMPLETE HEAD ASSEMBLY		10	CE08031729	FEMALE CONNECTOR BCN	
2	CE08030111	HEAD O RING		11	CE08031118	CONTROL FACEPLATE MA/A2L	
3	CE08030119	DIAPHRAM COMPLETE		12	CE08031806	WASHER AND POTENTIOMETER KNOB	
4	CE08031119	PISTON WASHER 2L 5KG - 2L 10KG - 5L 10l		13	CE08031221	SUPPLY CABLE	
5	CE08030118	ELECTROMAGNET ASSEMBLY COMPLETE		14	CE08030123	FILTER ASSEMBLY	
6	CE08033108	LID GASKET		15	CE08030121	INJECTOR VALVE ASSEMBLY	
7	CE08033109	PUMP REAR COVER		16	CE08030122	SUCTION/RETURN TUBE	
8	CE08030035	ELECTRONIC CIRCUIT MA/ADL		17	46771R0002	PUMP BOX	
9	CE08031113	FEMALE CONNECTOR BCN					

CODICE **14247**

 DESCRIZIONE: **DOSIERPUMPE CLASS ON-OFF 5L-H. 7 BAR**

ITALIANO

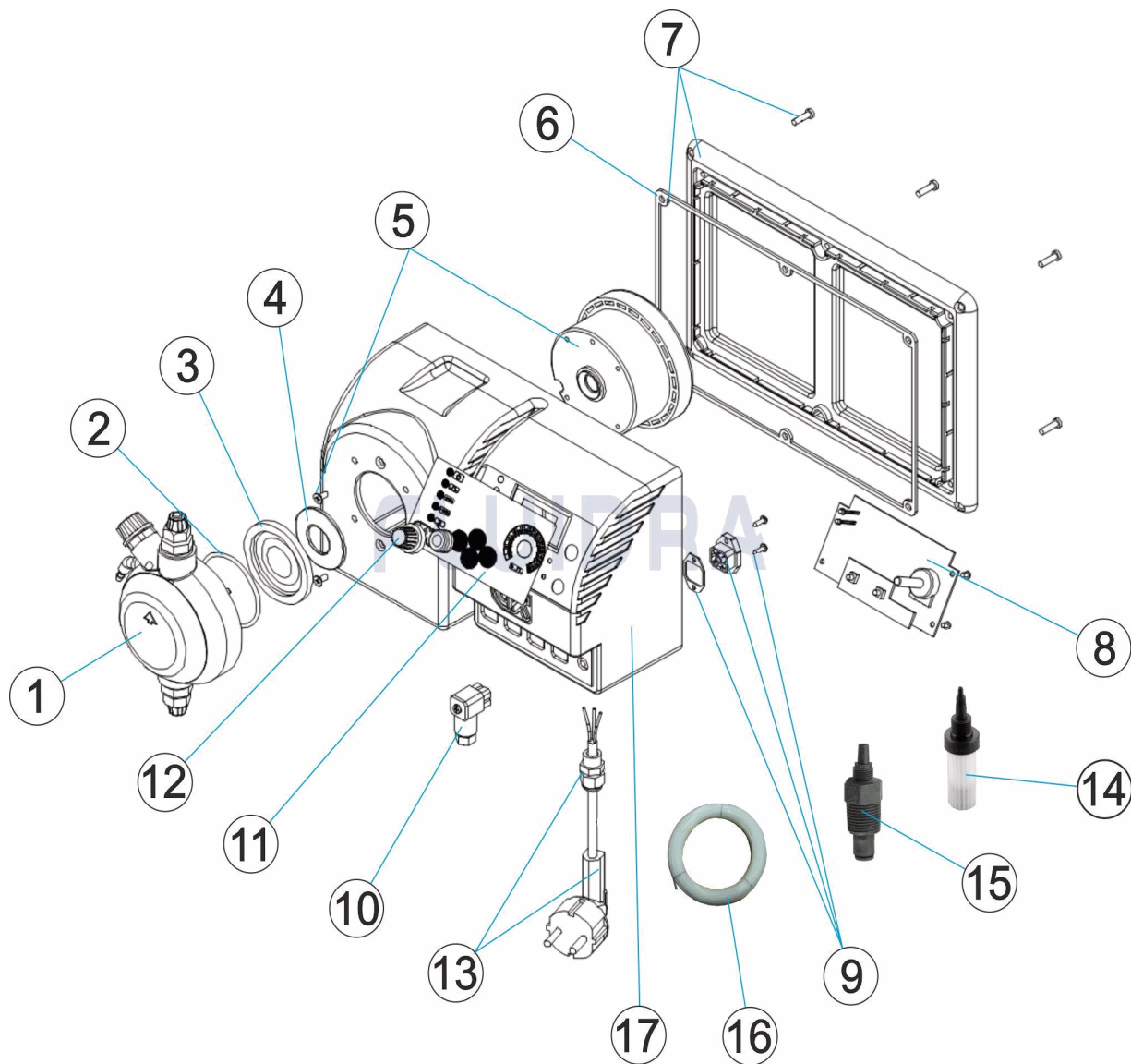
POS	CODICE	DESCRIZIONE	QUANTITA'	POS	CODICE	DESCRIZIONE	QUANTITA'
1	CE08031205	TESTA COMPLETA		10	CE08031729	CONNETTORE DI LIVELLO	
2	CE08030111	O-RING PER TESTA		11	CE08031118	PANNELLO COMANDO P MA/A2L	
3	CE08030119	MEMBRANA COMPLETA		12	CE08031806	RONDELLA E COMANDO POTENZIOMETRICO	
4	CE08031119	RONDELLA PISTONE 2L 5KG - 2L 10KG - 5L		13	CE08031221	CAVO DI ALIMENTAZIONE	
5	CE08030118	ELETTROCALAMITA COMPLETA 5L 7KG		14	CE08030123	FILTRO ASPIRAZIONE COMPLETO	
6	CE08033108	GUARNIZIONE COPERCHIO		15	CE08030121	VALVOLA INIEZIONE COMPLETA	
7	CE08033109	COPRIVENTOLA POMPA		16	CE08030122	TUBO DI ASPIRAZIONE/ MANDATA	
8	CE08030035	CIRCUITO ELETTRONICO MA/ADL		17	46771R0002	CARCASSA POMPA	
9	CE08031113	CONNETTORE DI LIVELLO					

CODE **14247**

 BESCHREIBUNG: **DOSIERPUMPE CLASS ON-OFF 5L-H. 7 BAR**

DEUTSCH

POS	CODE	BESCHREIBUNG	MENGE	POS	CODE	BESCHREIBUNG	MENGE
1	CE08031205	KOPFSTÜCK KOMPLETT		10	CE08031729	VERBINDUNGSTÜCK FÜLLSTAND	
2	CE08030111	O-RING KOPFSTÜCK		11	CE08031118	BEDIENFELD STEUERUNG MA/A2L	
3	CE08030119	KOMPLETTMEMBERAN		12	CE08031806	UNTERLEGSCHEIBE UND STEUERUNG PO	
4	CE08031119	KOLBENSCHIBE 2 L 5 KG - 2 L 10 KG - 5 L		13	CE08031221	VERSORUNGSKABEL	
5	CE08030118	ELEKTROMAGNET KOMPLETT 5 L 7 KG		14	CE08030123	SAUGFILTER KOMPLETT	
6	CE08033108	DICHTUNG ABDECKUNG		15	CE08030121	INJEKTORVENTIL KOMPLETT	
7	CE08033109	ABDECKUNG HINTEN PUMPE		16	CE08030122	ROHR SAUG/DRUCK	
8	CE08030035	PLATINE SCHALTKREIS MA/ADL MIT FÜLLE		17	46771R0002	PUMPENGEHÄUSE	
9	CE08031113	SET VERBINDUNGSTÜCK FÜLLSTAND					

CODIGO **14247**

 DESCRIÇÃO: **BOMBA DOSEADORA CLASS ON-OFF 5L-H. 7 BAR**


PORTUGUES

POS	CODIGO	DESCRIÇÃO	JANTIDADE	POS	CODIGO	DESCRIÇÃO	JANTIDADE
1	CE08031205	CABEÇAL COMPLETO		10	CE08031729	LIGAÇÃO NIVEL	
2	CE08030111	JUNTA TORICA CABEÇAL		11	CE08031118	PAINEL COMANDO MA/A2L	
3	CE08030119	MEMBRANA COMPLETA		12	CE08031806	ANILHA E COMANDO POTENCIOMETRO	
4	CE08031119	ANILHA PISTON 2L 5KG - 2L 10KG - 5L 10K		13	CE08031221	CABO ALIMENTAÇÃO	
5	CE08030118	ELECTROIMAN COMPLETO 5L 7KG		14	CE08030123	FILTRO ASPIRAÇÃO COMPLETO	
6	CE08033108	JUNTA TAMPA		15	CE08030121	INJECTOR COMPLETO	
7	CE08033109	TAMPA TRASEIRA BOMBA		16	CE08030122	TUBO ASPIRAÇÃO/IMPULSÃO	
8	CE08030035	CIRCUITO ELECTRONICO MA/ADL		17	46771R0002	CAIXA BOMBA	
9	CE08031113	LIGAÇÃO NIVEL					