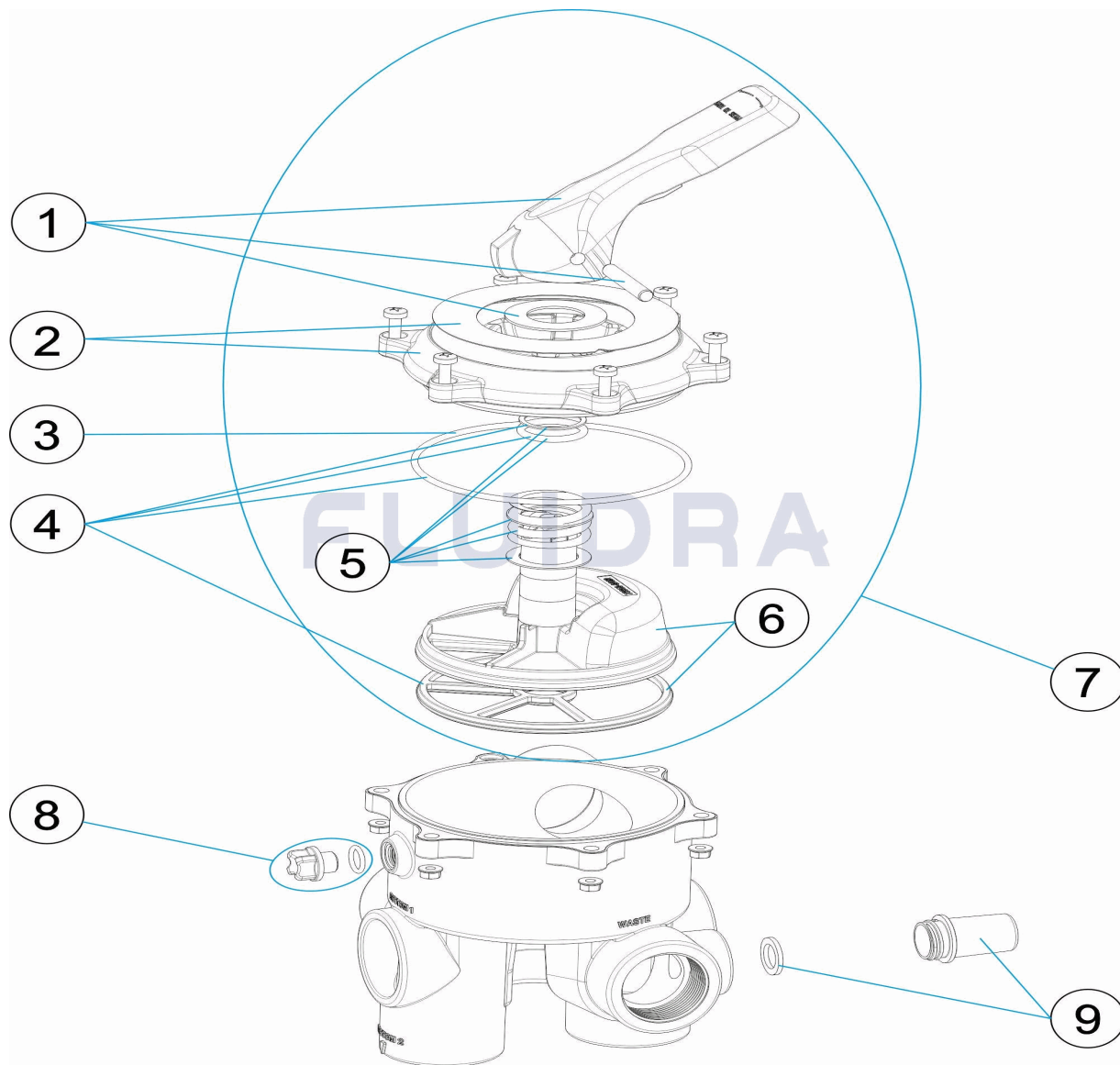


CODIGO 76148, 76150

DESCRIPCION: VALVULA SELECTORA 1 1/2"

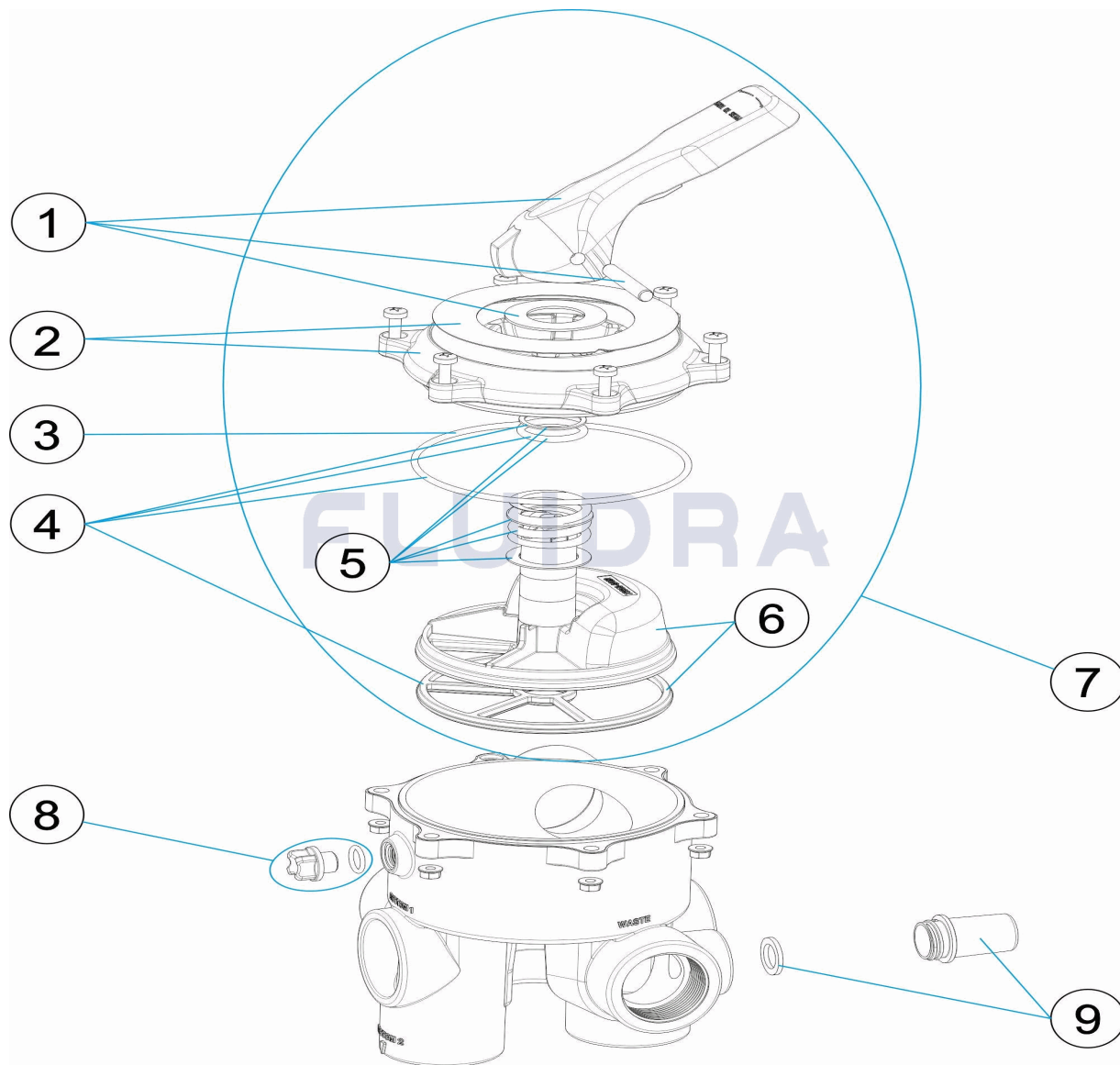


ESPAÑOL

POS	CODIGO	DESCRIPCION	CANTIDAD	POS	CODIGO	DESCRIPCION	CANTIDAD
1	4404120102	MANETA NEGRA 1 1/2'-2'		6	4404120097	DISTRIBUIDOR CON JUNTA	
2	4404120095	TAPA VALVULA SELECTORA 1 1/2"		7	4404120098	CJTO. SUPERIOR 1 1/2"	
3	4404120023	JUNTA TORICA TAPA 1 1/2"		8	4404121107	TAPON 1/4" VALVULA	
4	4404120096	JUNTAS VALVULA 1 1/2"		9	4404120113	VISOR CON JUNTA	
5	4404121103	RESORTE VALVULA					

CODE 76148, 76150

DESCRIPTION: SÉLECTEUR 1 1/2"

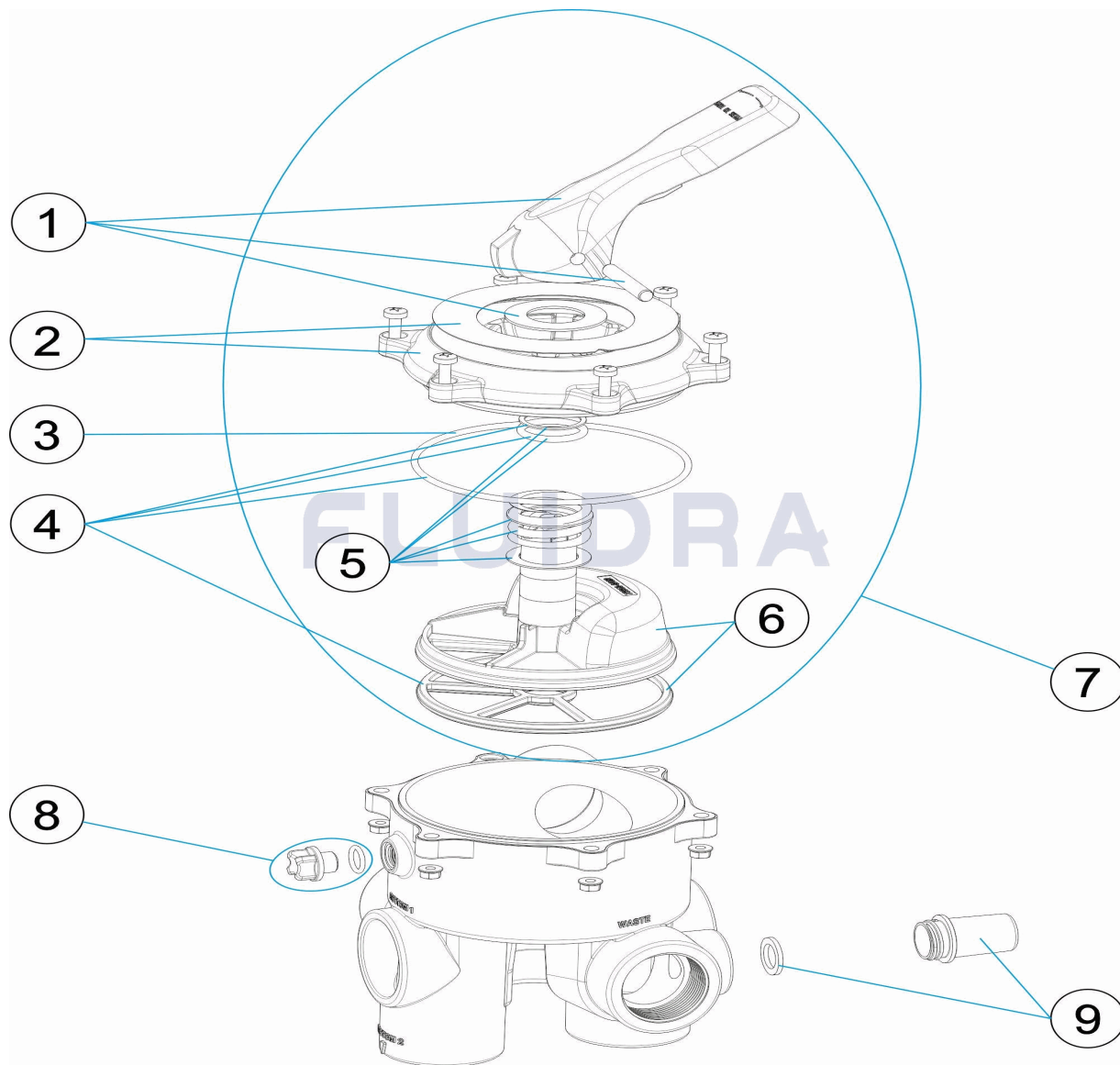


FRANCAIS

POS	CODE	DESCRIPTION	QUANTITE	POS	CODE	DESCRIPTION	QUANTITE
1	4404120102	POIGNEE NOIRE 1 1/2' ET 2'		6	4404120097	BOISSEAU AVEC JOINT	
2	4404120095	DESSUS DE VANNE 1 1/2"		7	4404120098	ENSEMBLE SUPÉRIEUR 1 1/2"	
3	4404120023	JOINT TORIQUE COUVERCLE 1 1/2"		8	4404121107	BOUCHON 1/4' DE VANNE	
4	4404120096	JOINTS VANNE 1 1/2'		9	4404120113	VOYANT ET JOINT	
5	4404121103	RESSORT DE VANNE					

CODE 76148, 76150

DESCRIPTION: MULTIPORT VALVE 1 1/2"

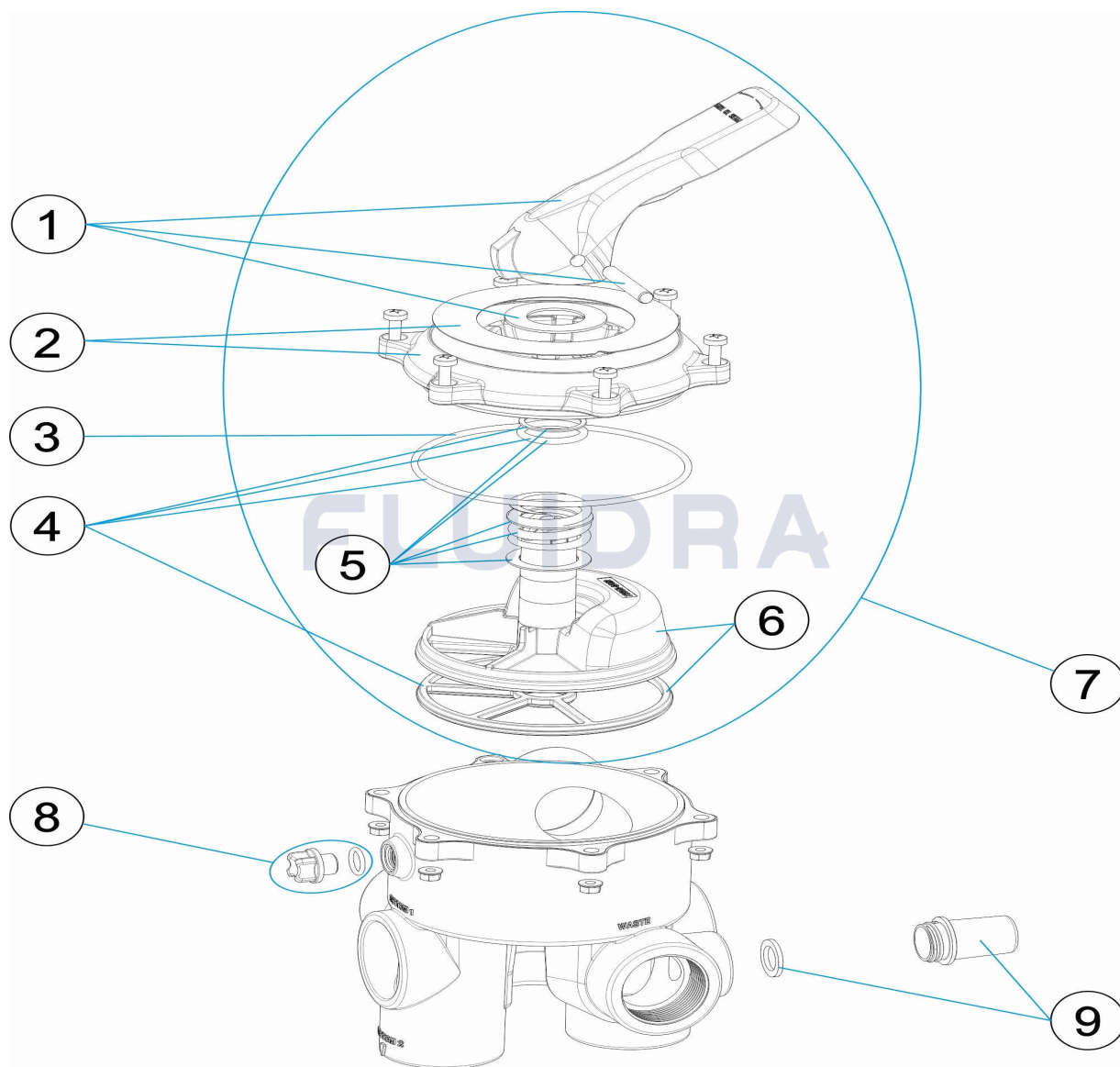


ENGLISH

POS	CODE	DESCRIPTION	QUANTITY	POS	CODE	DESCRIPTION	QUANTITY
1	4404120102	BLACK HANDLE 11/2'-2'		6	4404120097	DISTRIBUTOR WITH GASKETS	
2	4404120095	COVERS SELECTOR VALVE 1 1/2"		7	4404120098	UPPER PART 1 1/2" CLOSING	
3	4404120023	1 1/2" LID 'O' RIN "		8	4404121107	PLUG 1/4'	
4	4404120096	GASKETS 1 1/2'		9	4404120113	VISOR WITH SEAL	
5	4404121103	SPRING					

CODICE **76148, 76150**

DESCRIZIONE: **VALVOLA SELETRICE 1 1/2"**

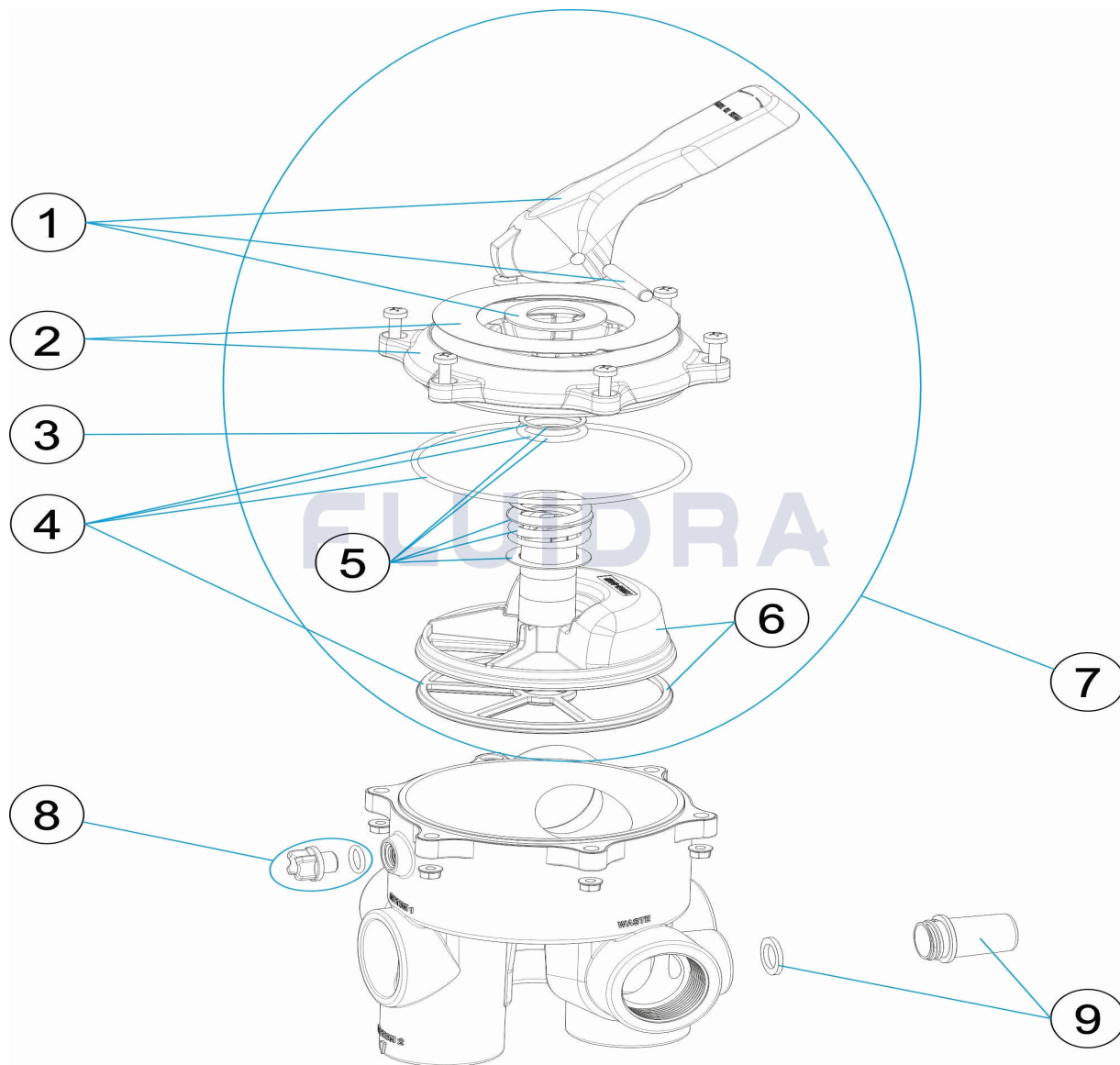


ITALIANO

POS	CODICE	DESCRIZIONE	QUANTITA'	POS	CODICE	DESCRIZIONE	QUANTITA'
1	4404120102	MANIGLIA NERA 1 1/2' - 2'		6	4404120097	DISTRIBUTORE CON GUARNIZIONE	
2	4404120095	COPERCHIO VALVOLA 1 1/2"		7	4404120098	KIT SUPERIORE DA 1 1/2"	
3	4404120023	O-RING COPERCHIO 1 1/2"		8	4404121107	COPERCHIO 1/4' VALVOLA	
4	4404120096	GUARNIZIONI VALVOLA 1 1/2'		9	4404120113	VISORE CON GUARNIZIONE	
5	4404121103	MOLLA VALVOLA					

CODE 76148, 76150

BESCHREIBUNG: MEHRWEGVENTIL 1 1/2"

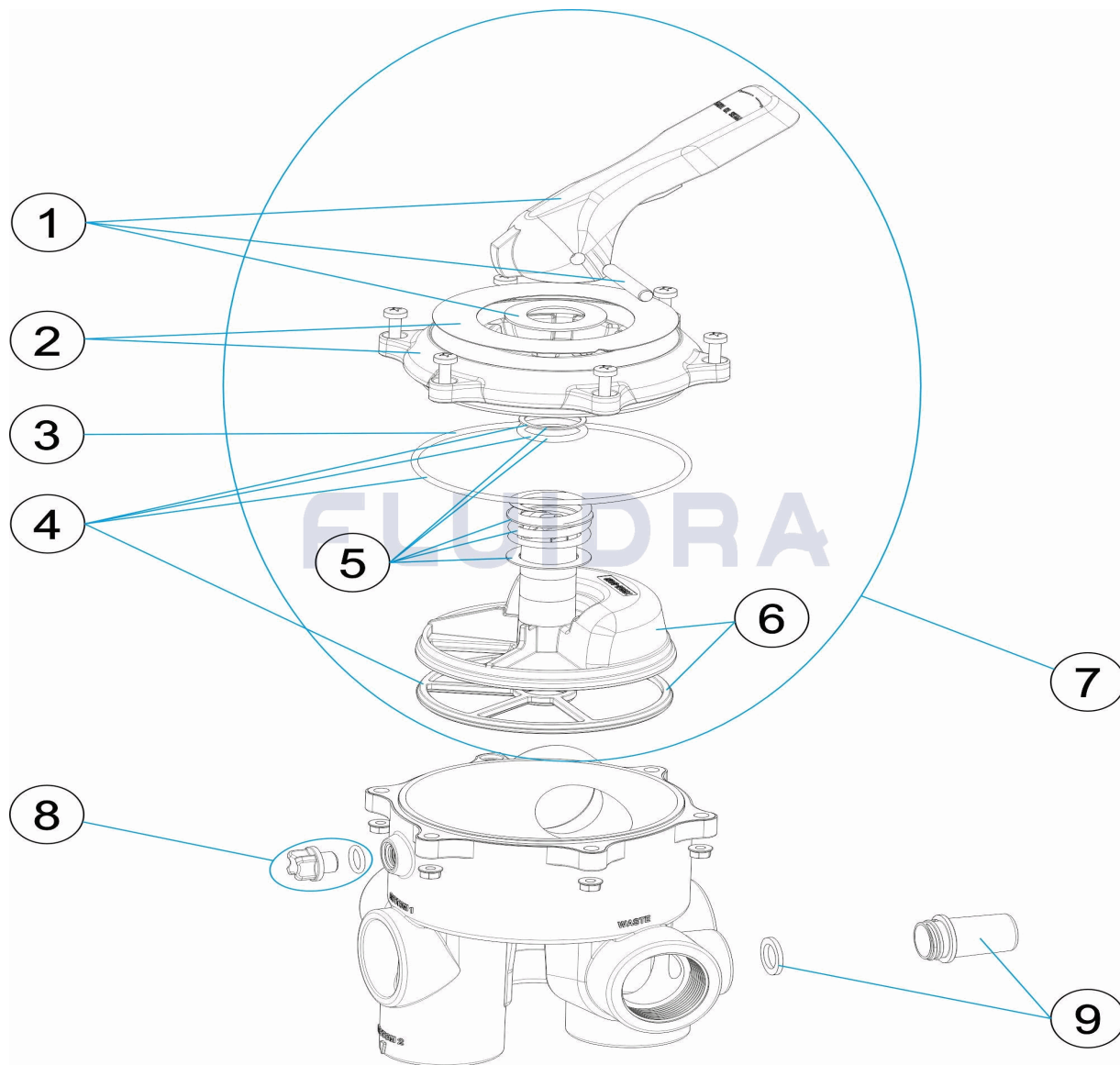


DEUTSCH

POS	CODE	BESCHREIBUNG	MENGE	POS	CODE	BESCHREIBUNG	MENGE
1	4404120102	GRIF F SCHWARZ 1 1/2' - 2'		6	4404120097	VERTEILER UND DICHTUNG	
2	4404120095	ABDECKUNG MEHRWEGVENTIL 1 1/2"		7	4404120098	SET OBEN 1 1/2"	
3	4404120023	O-RING ABDECKUNG 1 1/2"		8	4404121107	STOPFEN 1/4' VENTIL	
4	4404120096	VENTILDICHTUNGEN 1 1/2'		9	4404120113	SCHAUGLAS UND DICHTUNG	
5	4404121103	VENTILFEDER					

CODIGO **76148, 76150**

DESCRIÇÃO: **VÁLVULA SELECTORA 1 ½"**



PORTUGUES

POS	CODIGO	DESCRIÇÃO	JANTIDADE	POS	CODIGO	DESCRIÇÃO	JANTIDADE
1	4404120102	MANIPULO PRETO 1 1/2'-2'		6	4404120097	DISTRIBUIDORCOM JUNTA	
2	4404120095	TAMPA VALVULA 1 1/2"		7	4404120098	CJTO. SUPERIOR 1 ½"	
3	4404120023	JUNTA TÓRICA TAMPA 1 1/2"		8	4404121107	TAMPÃO 1/4' VÁLVULA	
4	4404120096	JUNTAS VÁLVULA 1 1/2'		9	4404120113	VISOR COM JUNTA	
5	4404121103	TAMPA PARAFUSOS					