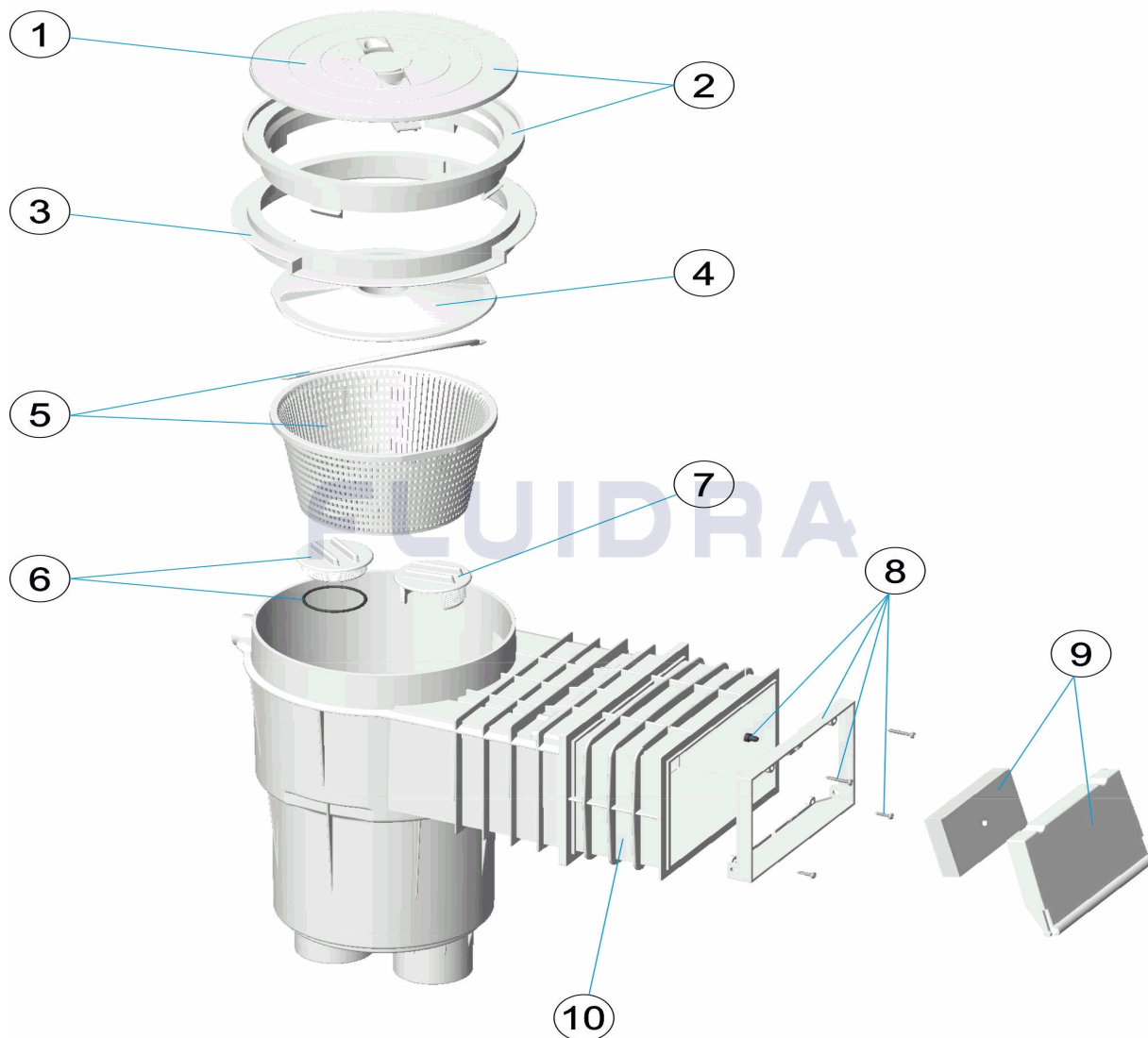


CODIGO **45735**

DESCRIPCION: **SKIMMER 17,5L ALARGO+BOCA STD. NPT**

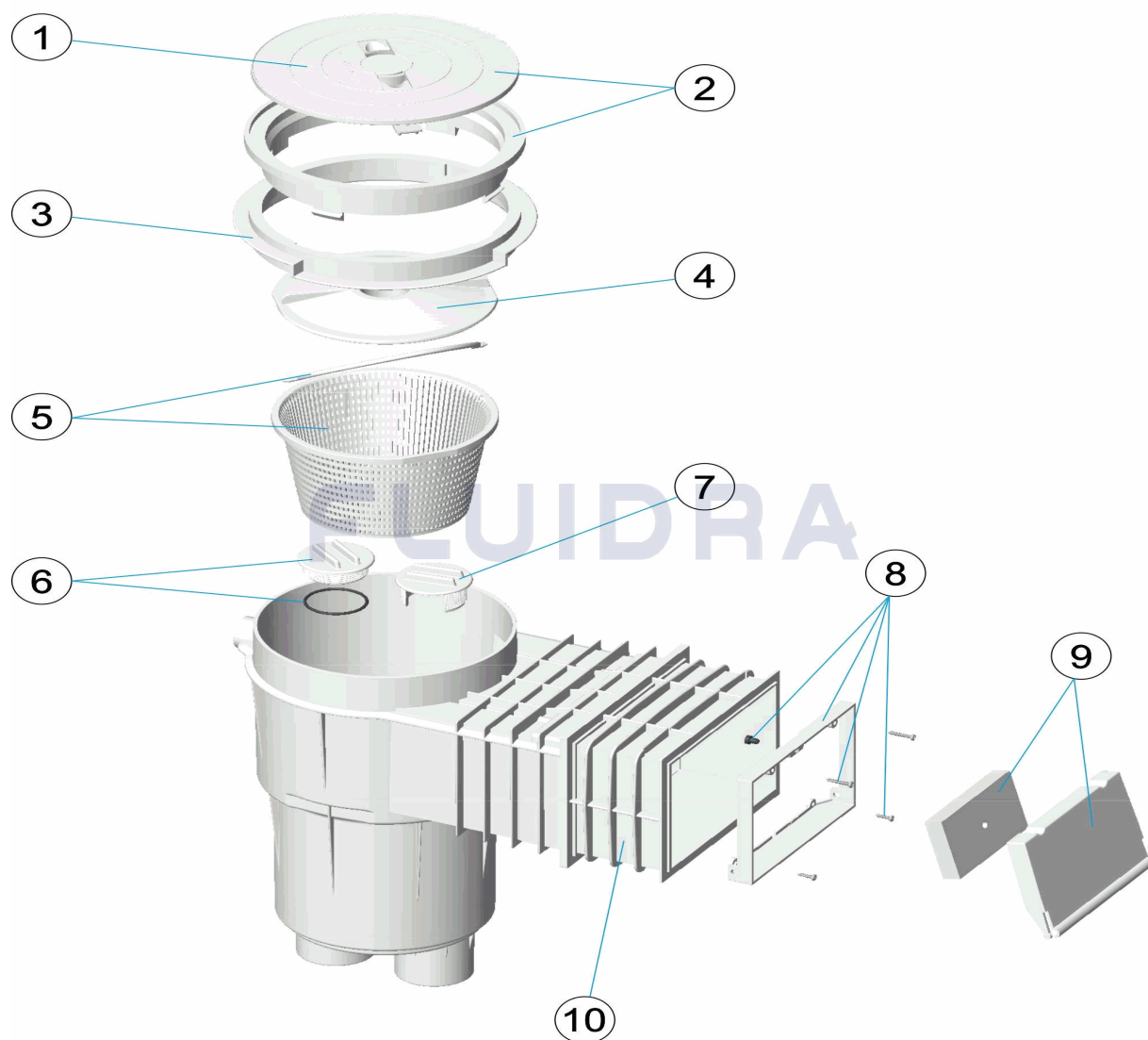


ESPAÑOL

POS	CODIGO	DESCRIPCION	CANTIDAD	POS	CODIGO	DESCRIPCION	CANTIDAD
1	4402010509	TAPA SKIMMER		6	4402010057	TAPON CON JUNTA	
2	4402010507	ARO CON TAPA SKIMMER		7	4402010502	TAPON REGULADOR	
3	4402010506	ANILLO DISTANCIADOR SKIMMER		8	4402010508	MARCO COMPUERTA SKIMMER	
4	4402010505	TAPA CESTO SKIMMER		9	4402010501	COMPUERTA SKIMMER CON CLIP	
5	4402010504	CESTO SKIMMER 17,5 LTS.		10	4402010082	BOCA INTERMEDIA SKIMMER	

CODE **45735**

DESCRIPTION: **SKIMMER 17,5L EXTENSION + B. STD. C. CIRC. NPT**

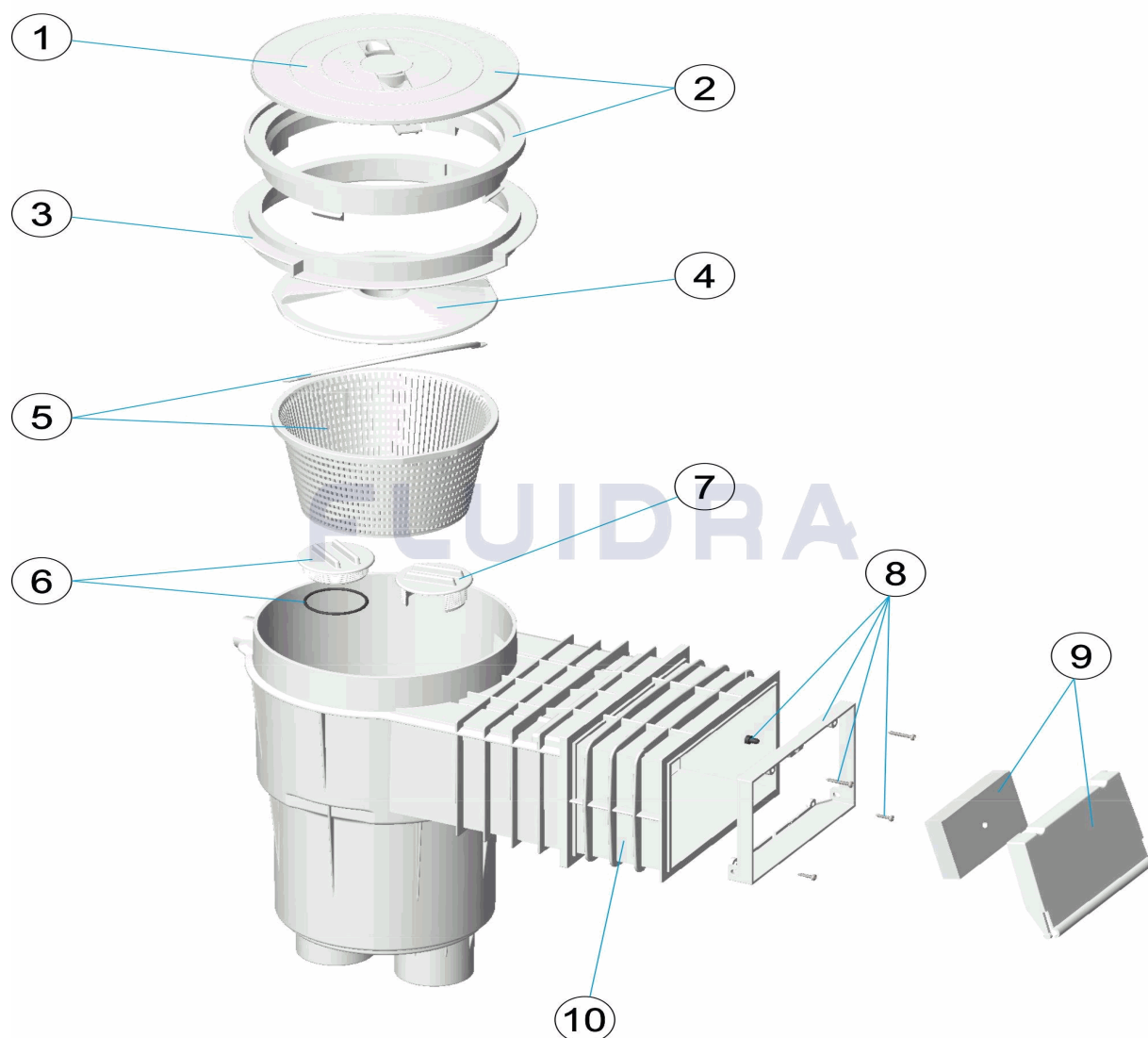


FRANCAIS

POS	CODE	DESCRIPTION	QUANTITE	POS	CODE	DESCRIPTION	QUANTITE
1	4402010509	COUVERCLE ROND DE SKIMMER	6	4402010057	BOUCHON SKIMMER AVEC JOINT		
2	4402010507	COUVERCLE ET CADRE DE SKIMMER	7	4402010502	BOUCHON REGULATEUR		
3	4402010506	CADRE REHAUSSE COUVERCLE	8	4402010508	CADRE VOLET SKIMMER		
4	4402010505	COUVERCLE PANIER SKIMMER	9	4402010501	VOLET DE SKIMMER		
5	4402010504	PANIER SKIMMER 17,5 LTS	10	4402010082	BOUCHE INTERMEDIAIRE RALLONGE SKIN		

CODE **45735**

DESCRIPTION: **SKIMMER 17,5L VERLÄNGERUNG + MÜNDUNG STANDARD DECKEL RUND**

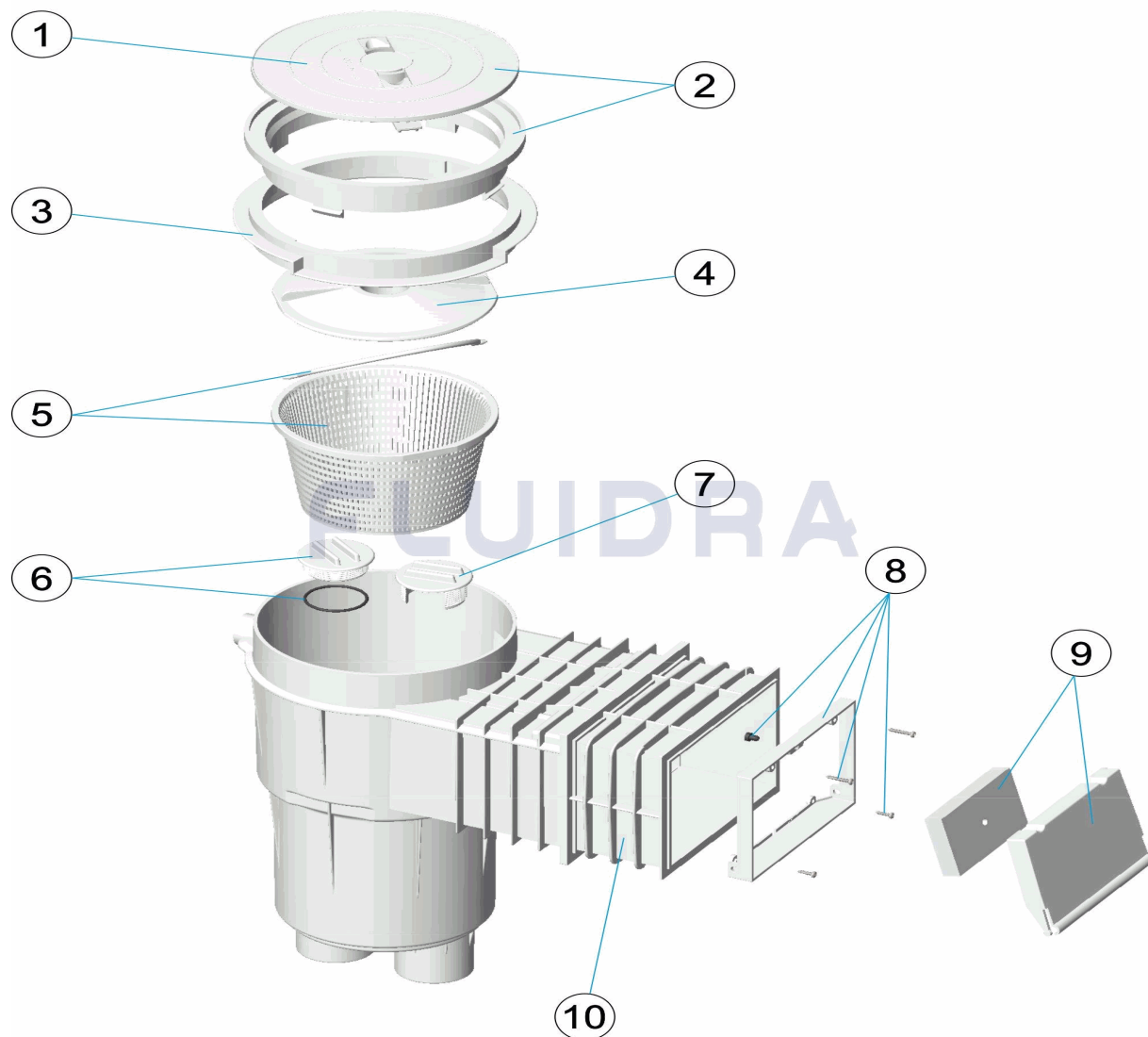


ENGLISH

POS	CODE	DESCRIPTION	QUANTITY	POS	CODE	DESCRIPTION	QUANTITY
1	4402010509	SKIMMER LID		6	4402010057	BLANKING PLUG AND 'O' RING	
2	4402010507	LID AND FRAME		7	4402010502	REGULATING PLUG	
3	4402010506	COLLAR EXTENSION RING		8	4402010508	FLAP FRAME	
4	4402010505	VACUUM PLATE		9	4402010501	SKIMMER FLAP	
5	4402010504	BASKET 17,5 LITRES		10	4402010082	SKIMMER THROAT	

CODICE **45735**

DESCRIZIONE: **SKIMMER 17,5L ESTENSIONE + B. STD. T. CIRC. NPT**

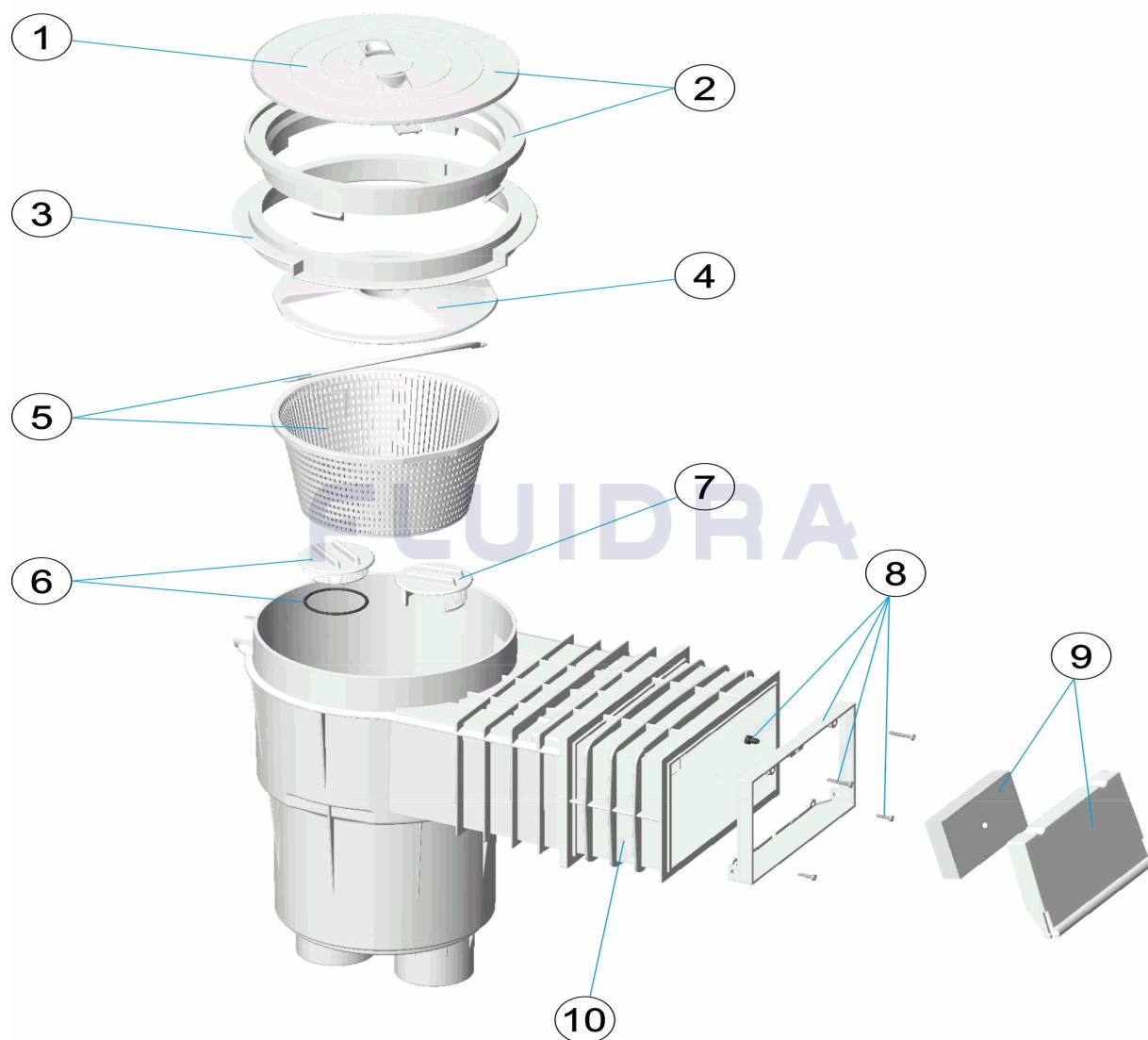


ITALIANO

POS	CODICE	DESCRIZIONE	QUANTITA'	POS	CODICE	DESCRIZIONE	QUANTITA'
1	4402010509	COPERCHIO SKIMMER		6	4402010057	TAPPO CON GUARNIZIONE	
2	4402010507	CORNICE CON COPERCHIO SKIMMER		7	4402010502	TAPPO DI REGOLAZIONE	
3	4402010506	ANELLO DISTANZIATORE SKIMMER		8	4402010508	CORNICE BATTENTE SKIMMER	
4	4402010505	COPERCHIO CESTELLO SKIMMER		9	4402010501	BATTENTE SKIMMER CON CLIP	
5	4402010504	CESTELLO SKIMMER DA 17,5 LITRI		10	4402010082	BOCCA INTERMEDIA SKIMMER	

CODE **45735**

BESCHREIBUNG: **SKIMMER 17,5 L VERLÄNGERUNG + EINLASS STANDARD NPT**

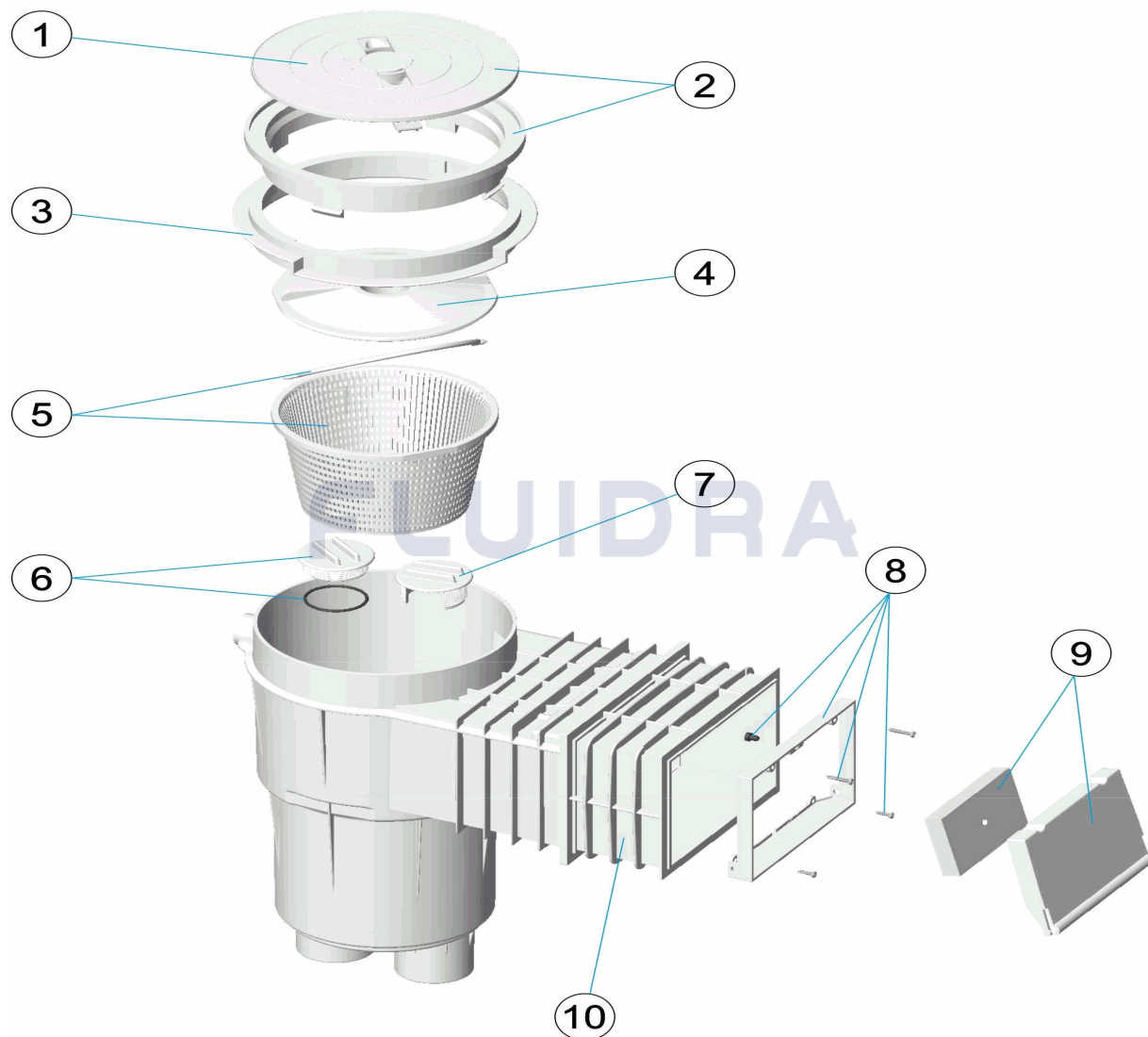


DEUTSCH

POS	CODE	BESCHREIBUNG	MENGE	POS	CODE	BESCHREIBUNG	MENGE
1	4402010509	SKIMMERDECKEL		6	4402010057	STOPFEN UND DICHTUNG	
2	4402010507	RING MIT SKIMMERDECKEL		7	4402010502	STOPFEN REGULIERUNG	
3	4402010506	DISTANZRING SKIMMER		8	4402010508	RAHMEN SKIMMERKLAPPE	
4	4402010505	ABDECKUNG SKIMMKORB		9	4402010501	SKIMMERKLAPPE MIT CLIP	
5	4402010504	SKIMMERKORB 17,5 L		10	4402010082	EINLASS MITTIG SKIMMER	

CODIGO **45735**

DESCRIÇÃO: **SKIMMER 17,5L EXTENSÃO + B. STD. T. CIRC. NPT**



PORTUGUES

POS	CODIGO	DESCRIÇÃO	JANTIDADE	POS	CODIGO	DESCRIÇÃO	JANTIDADE
1	4402010509	TAMPA SKIMMER		6	4402010057	TAMPA COM JUNTA	
2	4402010507	ARO COM TAMPA SKIMMER		7	4402010502	TAMPA REGULADORA	
3	4402010506	ANEL DISTANCIADOR SKIMMER		8	4402010508	CAIXILHO COMPORTA SKIMMER	
4	4402010505	TAMPA CESTO SKIMMER		9	4402010501	COMPORTA SKIMMER CLIP	
5	4402010504	CESTO SKIMMER 17,5 LTS		10	4402010082	BOCA INTERMÉDIA DE SKIMMER	