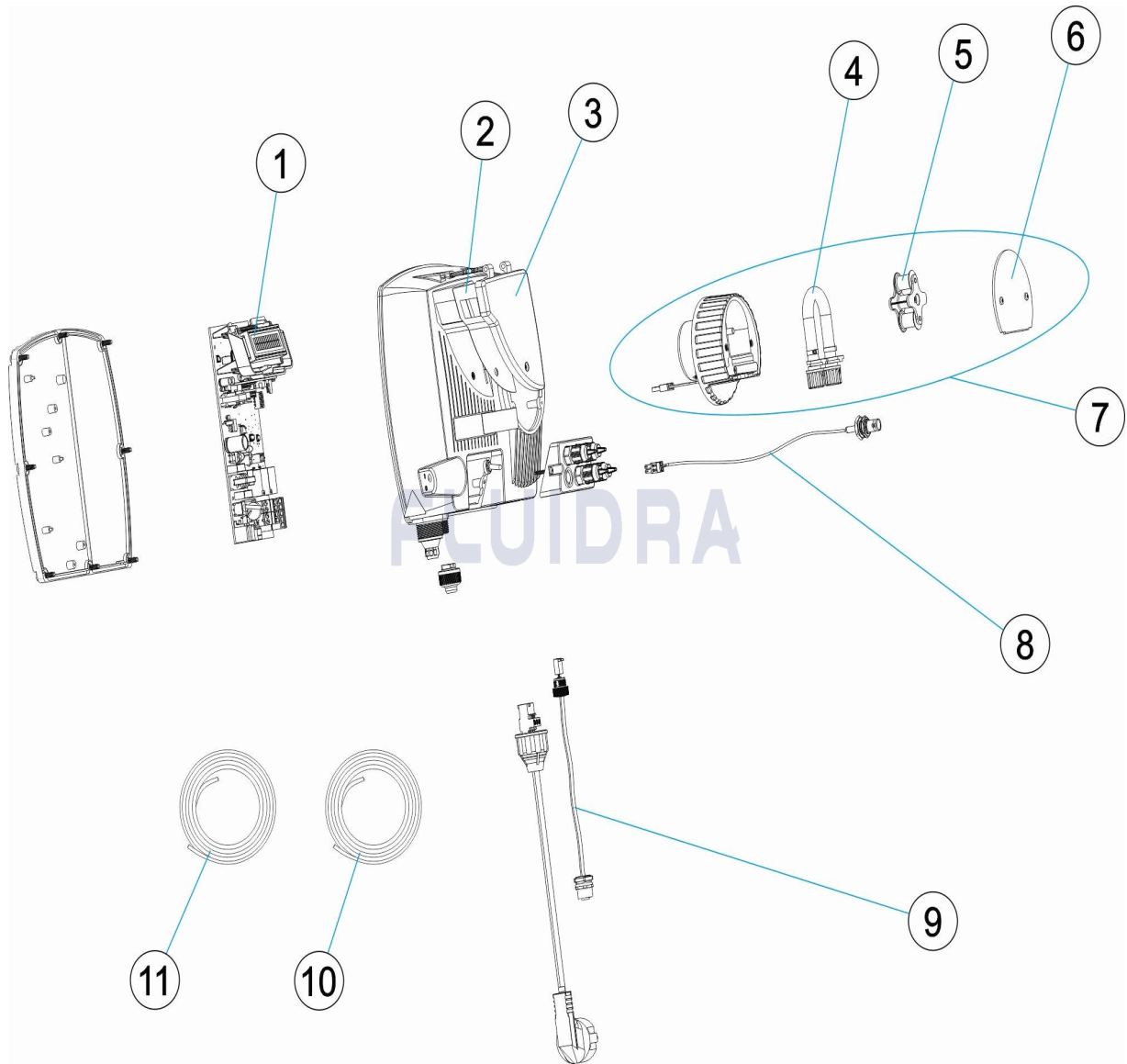


CODIGO **57129, 57130, 66159, 66160**

DESCRIPCION: **CONTROL BASIC 1,5 L/H 5 L/H**



**ESPAÑOL**

POS	CODIGO	DESCRIPCION	CANTIDAD	POS	CODIGO	DESCRIPCION	CANTIDAD
1	* 36002R0001	CIRCUITO ELECTRONICO		7	* 57129R0006	CJTO. CABEZAL PERISTALTICA 1,5 L/H.	
1	* 66159R0001	CIRCUITO DIGITAL CONNECT		7	* 57130R0006	CJTO. CABEZAL PERISTALTICA 5 L/H.	
2	36002R0002	TECLADO		8	57129R0007	CABLE COAXIAL RG174A/U 20CM	
3	36002R0003	TAPA FRONTAL		9	* 66159R0009	CABLE L=35CM	
4	57129R0004	TUBO PERISTALTICO		10	27883R0007	TUBO ASP. PVC 4X6 LONG.100M	
5	57129R0005	PORTA-RODILLOS		11	27883R0008	TUBO IMP. PE 4X6 LONG.100M	
6	36002R0005	TAPA FRONTAL CABEZAL					

**CODIGO 57129, 57130, 66159, 66160**

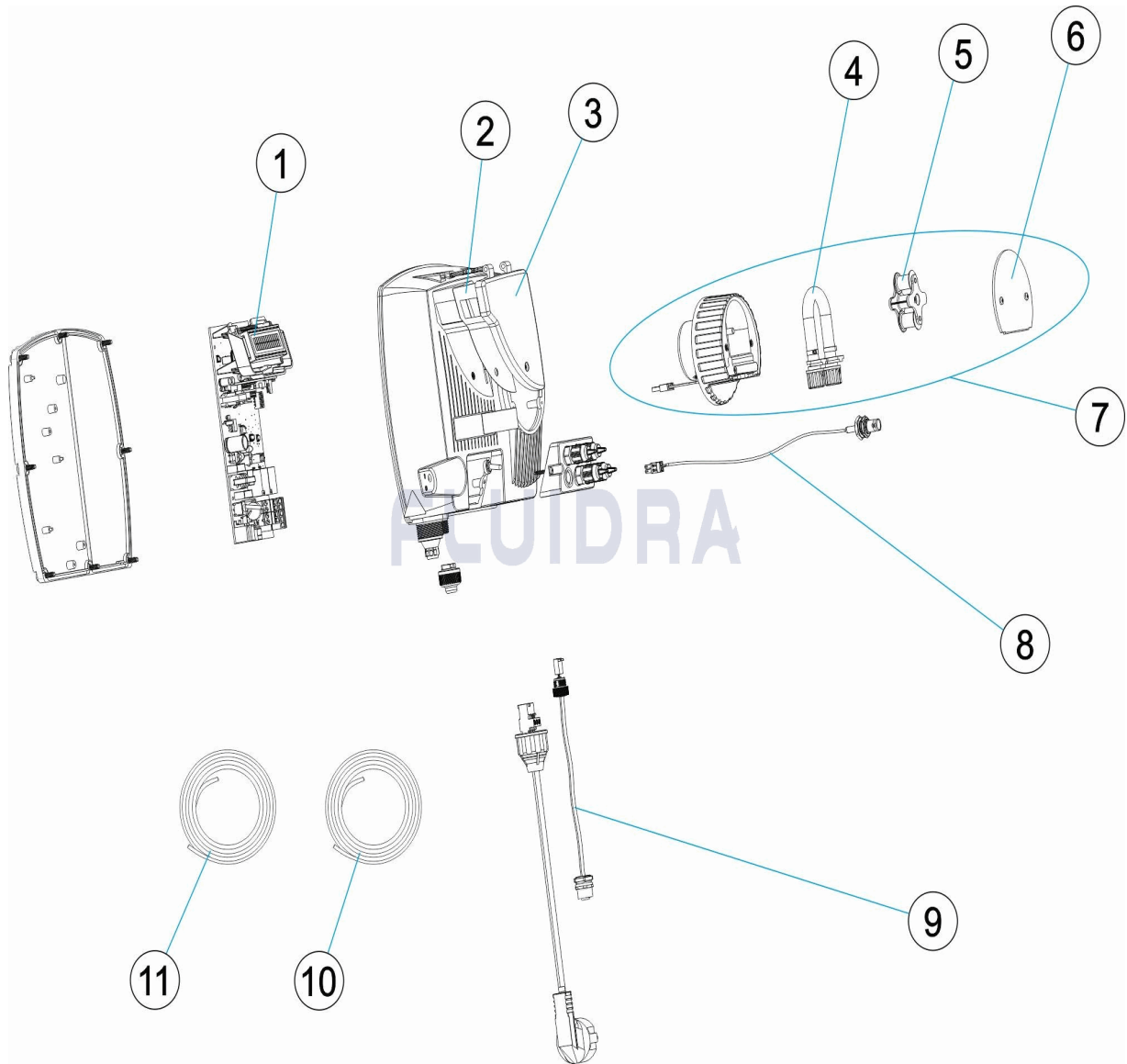
**DESCRIPCION: CONTROL BASIC 1,5 L/H 5 L/H**

### OBSERVACIONES

POS	CODIGO	OBSERVACIONES
1	* 36002R0001	PARA: 57129, 57130
1	* 66159R0001	PARA: 66159, 66160
7	* 57129R0006	PARA: 57129, 66159
7	* 57130R0006	PARA: 57130, 66160
9	* 66159R0009	PARA: 66159, 66160

CODE 57129, 57130, 66159, 66160

DESCRIPTION: CONTRÔLE BASIC 1,5 L/H 5 L/H



**FRANCAIS**

POS	CODE	DESCRIPTION	QUANTITE	POS	CODE	DESCRIPTION	QUANTITE
1	* 36002R0001	CIRCUIT ELECTRONIQUE		7	* 57129R0006	ENSEMBLE TETE PERISTALTIQUE 1,5L/H	
1	* 66159R0001	CIRCUIT DIGITAL CONNECT		7	* 57130R0006	ENSEMBLE TETE PERISTALTIQUE 5L/H	
2	36002R0002	CLAVIER		8	57129R0007	CABLE COAXIAL RG174A/U 20CM	
3	36002R0003	COUVERCLE FRONTAL		9	* 66159R0009	CABLE L=35CM	
4	57129R0004	TUBE PÉRISTALTIQUE		10	27883R0007	TUBE ASP. PVC 4X6 L100M	
5	57129R0005	SUPPORT GALETS		11	27883R0008	TUBE IMP. PE 4X6 L100M	
6	36002R0005	COUVERCLE FRONTAL TETE					

CODE **57129, 57130, 66159, 66160**

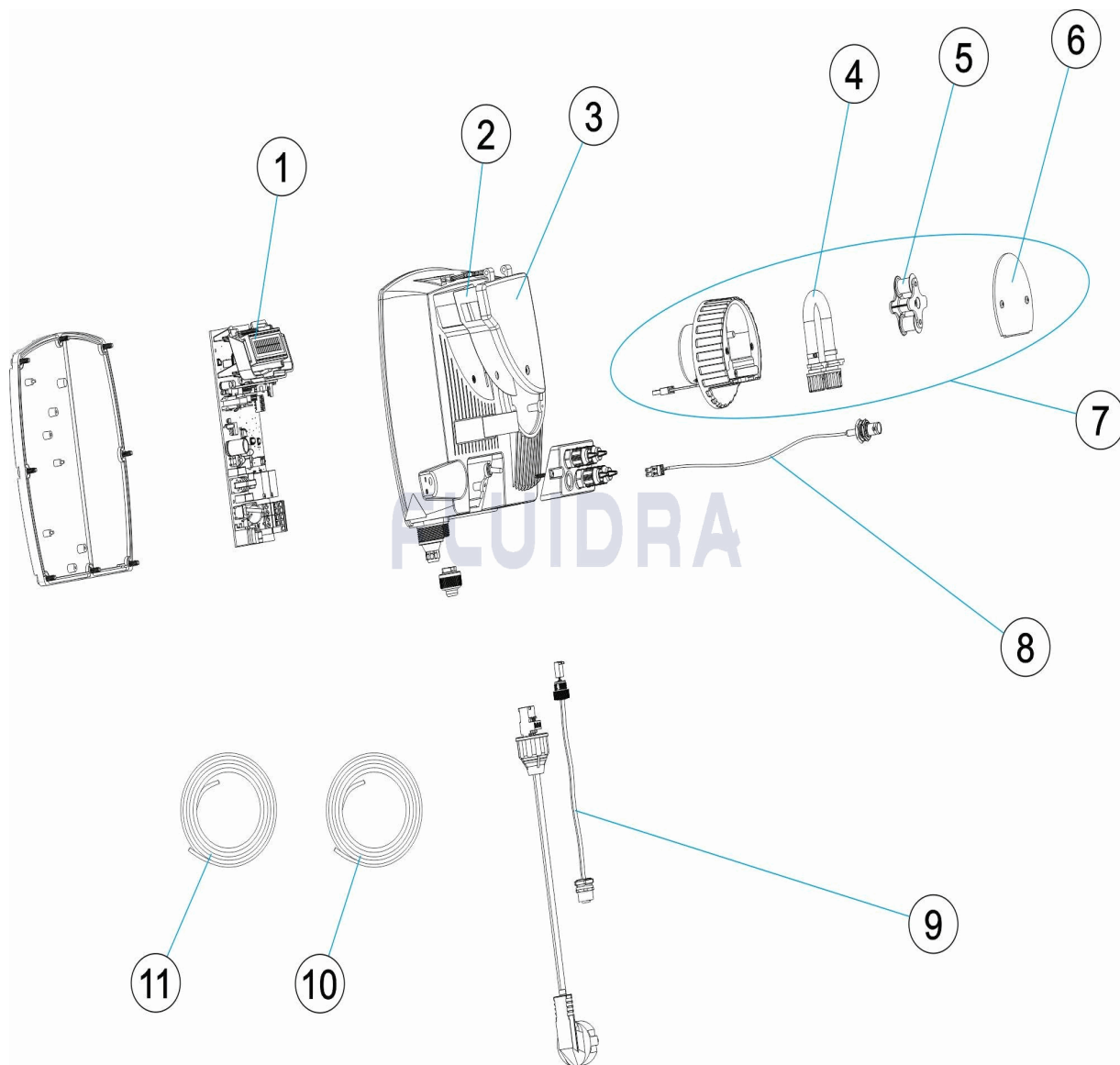
DESCRIPTION: **CONTRÔLE BASIC 1,5 L/H 5 L/H**

**OBSERVATIONS**

POS	CODE	OBSERVATIONS
1	* 36002R0001	POUR: 57129, 57130
1	* 66159R0001	POUR: 66159, 66160
7	* 57129R0006	POUR: 57129, 66159
7	* 57130R0006	POUR: 57130, 66160
9	* 66159R0009	POUR: 66159, 66160

CODE **57129, 57130, 66159, 66160**

DESCRIPTION: **CONTROL BASIC 1.5 L/H 5 L/H**



**ENGLISH**

POS	CODE	DESCRIPTION	QUANTITY	POS	CODE	DESCRIPTION	QUANTITY
1	* 36002R0001	ELECTRONIC CIRCUIT		7	* 57129R0006	1,5 L/H PERISTALTIC HEAD KIT	
1	* 66159R0001	CONNECT DIGITAL CIRCUIT		7	* 57130R0006	5 L/H PERISTALTIC HEAD KIT	
2	36002R0002	KEYPAD		8	57129R0007	COAXIAL CABLE RG174A/U 20CM	
3	36002R0003	FRONT COVER		9	* 66159R0009	CABLE L=35CM	
4	57129R0004	PERISTALTIC TUBE		10	27883R0007	4X6 LENG.100M PVC SUCTION PIPE	
5	57129R0005	COMPLETE ROLLER HOLDER		11	27883R0008	4X6 LENG.100M PE RETURN PIPE	
6	36002R0005	HEAD FRONT COVER					

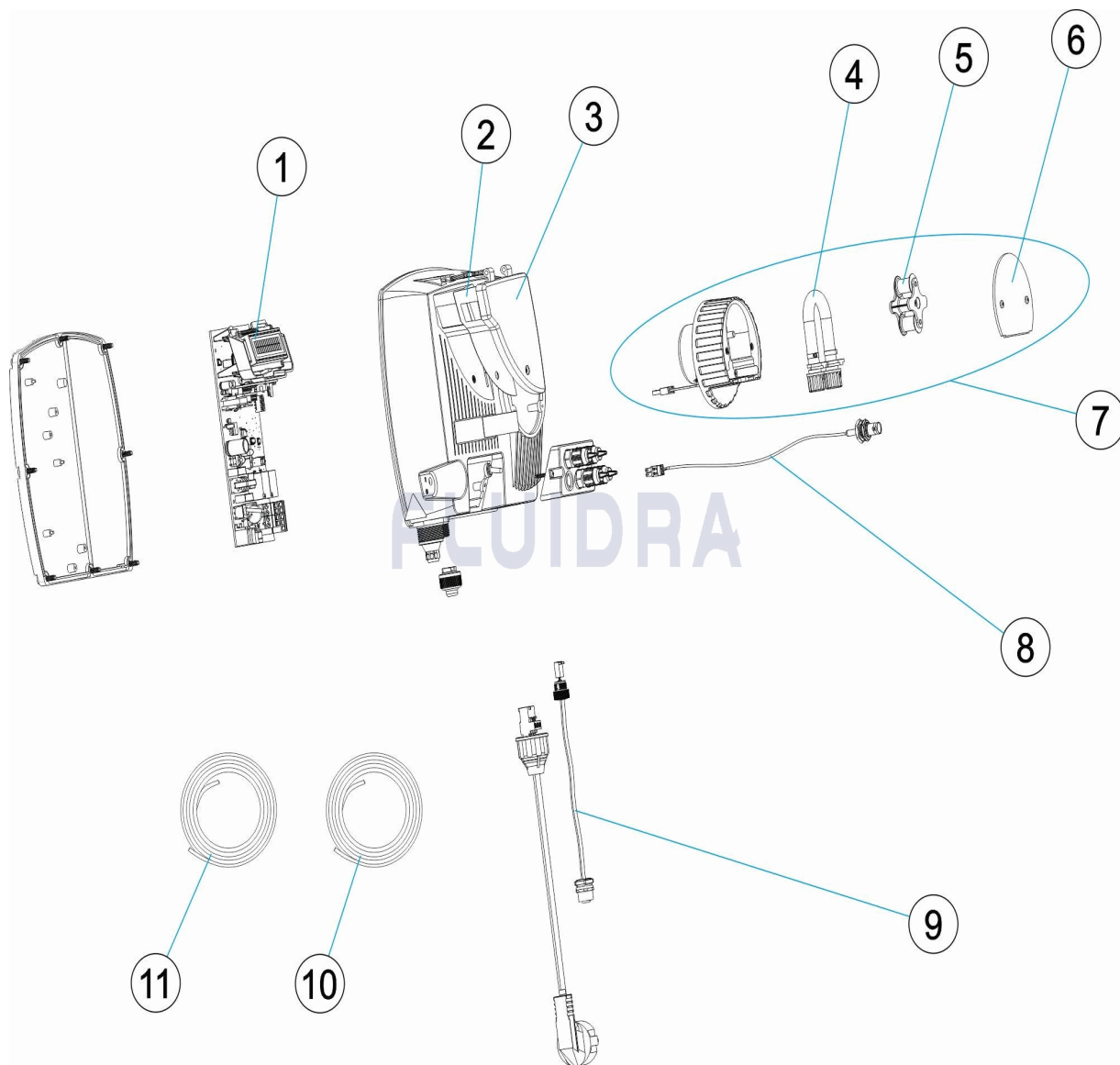
CODE                    **57129, 57130, 66159, 66160**DESCRIPTION: **CONTROL BASIC 1.5 L/H 5 L/H**

## OBSERVATIONS

POS	CODE	OBSERVATIONS
1	* 36002R0001	FOR: 57129, 57130
1	* 66159R0001	FOR: 66159, 66160
7	* 57129R0006	FOR: 57129, 66159
7	* 57130R0006	FOR: 57130, 66160
9	* 66159R0009	FOR: 66159, 66160

CODICE **57129, 57130, 66159, 66160**

DESCRIZIONE: **CONTROL BASIC 1,5 L/H 5 L/H**



**ITALIANO**

POS	CODICE	DESCRIZIONE	QUANTITA'	POS	CODICE	DESCRIZIONE	QUANTITA'
1	* 36002R0001	CIRCUITO ELETTRONICO		7	* 57129R0006	KIT TESTA POMPA 1,5 L/H	
1	* 66159R0001	CIRCUITO DIGITALE CONNECT		7	* 57130R0006	KIT TESTA POMPA 5 L/H	
2	36002R0002	PULSANTIERA		8	57129R0007	CAVO COASSIALE RG174A/U 20CM	
3	36002R0003	COPERCHIO FRONTALE		9	* 66159R0009	CAVO L=35CM	
4	57129R0004	TUBO PERISTALTICO		10	27883R0007	TUBO ASPIRAZIONE PVC 4X6 L 100M	
5	57129R0005	PORTA RULLO		11	27883R0008	TUBO MANDATA PE 4X6 L 100M	
6	36002R0005	COPERCHIO FRONTALE					

CODICE **57129, 57130, 66159, 66160**

DESCRIZIONE: **CONTROL BASIC 1,5 L/H 5 L/H**

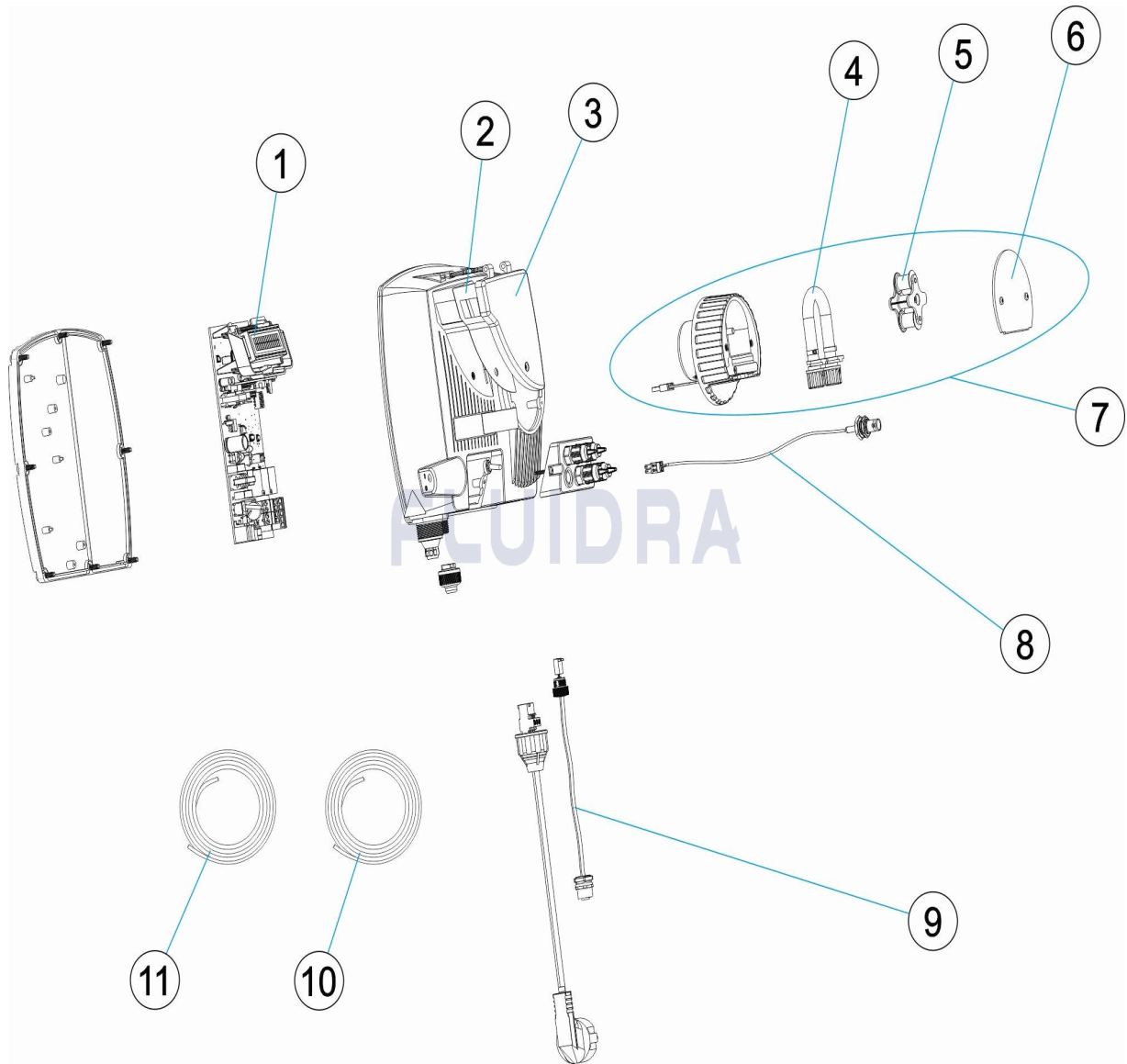
**OSSERVAZIONI**

POS	CODICE	OSSERVAZIONI
1	* 36002R0001	PER: 57129, 57130
1	* 66159R0001	PER: 66159, 66160
7	* 57129R0006	PER: 57129, 66159
7	* 57130R0006	PER: 57130, 66160
9	* 66159R0009	PER: 66159, 66160



CODE **57129, 57130, 66159, 66160**

BESCHREIBUNG: **STEUERUNG BASIC 1,5 L/H 5 L/H**



**DEUTSCH**

POS	CODE	BESCHREIBUNG	MENGE	POS	CODE	BESCHREIBUNG	MENGE
1	* 36002R0001	PLATINE SCHALTKREIS		7	* 57129R0006	SET KOPFSTÜCK PERISTALTIKpumpe 1,5 l	
1	* 66159R0001	DIGITALER SCHALTKREIS CONNECT		7	* 57130R0006	SET KOPFSTÜCK PERISTALTIKpumpe 5 L/H	
2	36002R0002	TASTATUR		8	57129R0007	KOAXIALKABEL RG174A/U 20CM	
3	36002R0003	FRONTDECKEL		9	* 66159R0009	KABEL L=35CM	
4	57129R0004	PERISTALTIKschlauch		10	27883R0007	SAUGROHR PVC 4 X 6 L=100M	
5	57129R0005	ROLLENTRÄGER		11	27883R0008	ROHR ANTRIEB PE 4 X 6 L=100 M	
6	36002R0005	FRONTDECKEL KOPFSTÜCK					

CODE **57129, 57130, 66159, 66160**

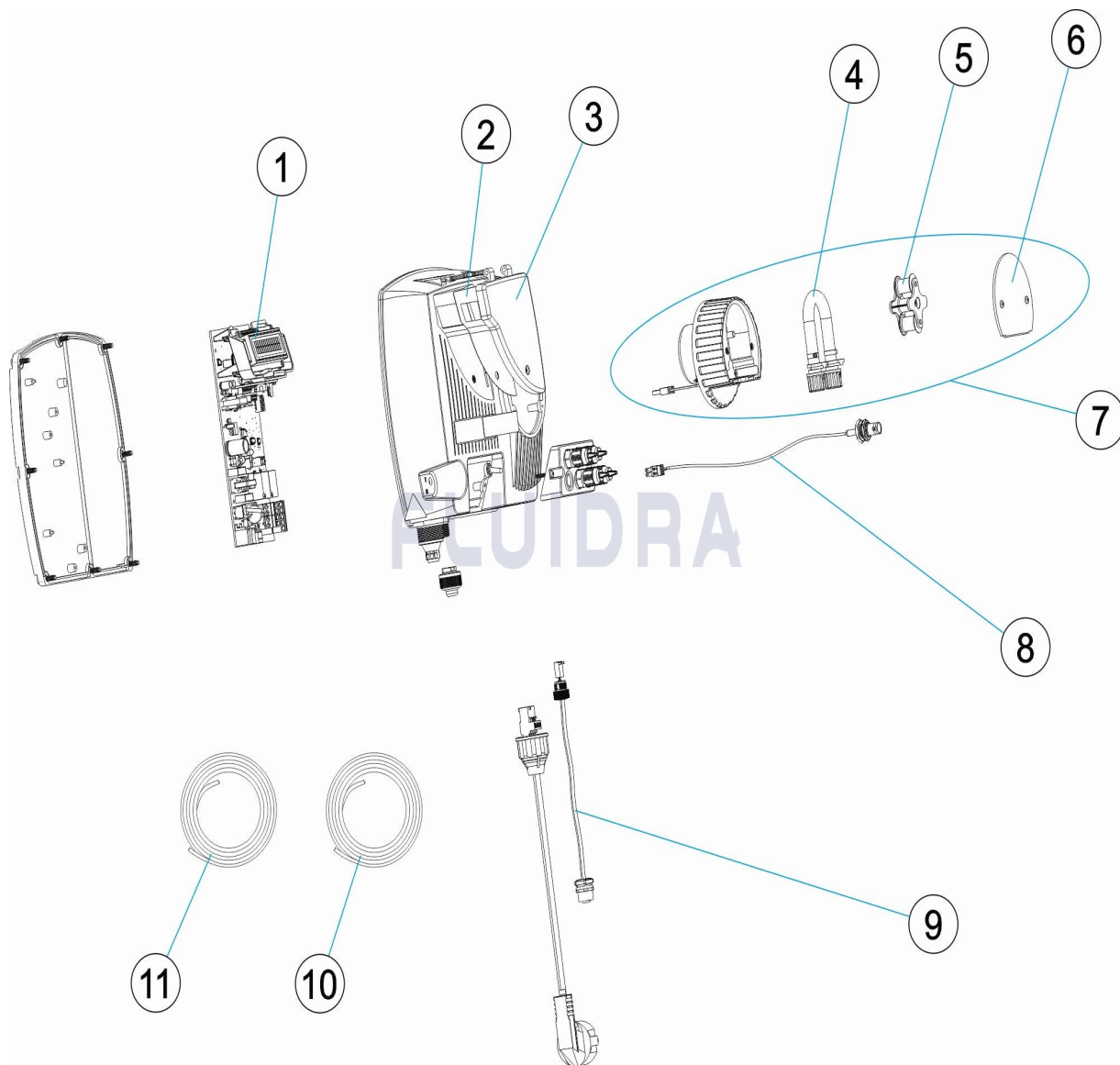
BESCHREIBUNG: **STEUERUNG BASIC 1,5 L/H 5 L/H**

## HINWEISE

POS	CODE	HINWEISE
1	* 36002R0001	FÜR: 57129, 57130
1	* 66159R0001	FÜR: 66159, 66160
7	* 57129R0006	FÜR: 57129, 66159
7	* 57130R0006	FÜR: 57130, 66160
9	* 66159R0009	FÜR: 66159, 66160

CODIGO **57129, 57130, 66159, 66160**

DESCRIÇÃO: **CONTROL BASIC 1,5 L/H 5 L/H**



**PORTUGUES**

POS	CODIGO	DESCRIÇÃO	JANTIDADE	POS	CODIGO	DESCRIÇÃO	JANTIDADE
1	* 36002R0001	CIRCUITO ELECTRONICO		7	* 57129R0006	CONJ.CABEÇAL PERISTALTICA 1,5 L/H	
1	* 66159R0001	CIRCUITO DIGITAL CONNECT		7	* 57130R0006	CONJ.CABEÇAL PERISTALTICA 5 L/H	
2	36002R0002	TECLADO		8	57129R0007	CABO COAXIAL RG174A/U 20CM	
3	36002R0003	TAMPA FRONTAL		9	* 66159R0009	CABO L=35CM	
4	57129R0004	TUBO PERISTÁLTICO		10	27883R0007	TUBO ASP.PVC 4X6 COMP.100 M	
5	57129R0005	PORTA-RODÍZIOS		11	27883R0008	TUBO IMP. PE 4X6 COMP.100 M	
6	36002R0005	TAMPA FRONTAL CABEÇAL					

CODIGO **57129, 57130, 66159, 66160**

DESCRIÇÃO: **CONTROL BASIC 1,5 L/H 5 L/H**

## OBSERVAÇÕES

POS	CODIGO	OBSERVAÇÕES
1	* 36002R0001	PARA: 57129, 57130
1	* 66159R0001	PARA: 66159, 66160
7	* 57129R0006	PARA: 57129, 66159
7	* 57130R0006	PARA: 57130, 66160
9	* 66159R0009	PARA: 66159, 66160