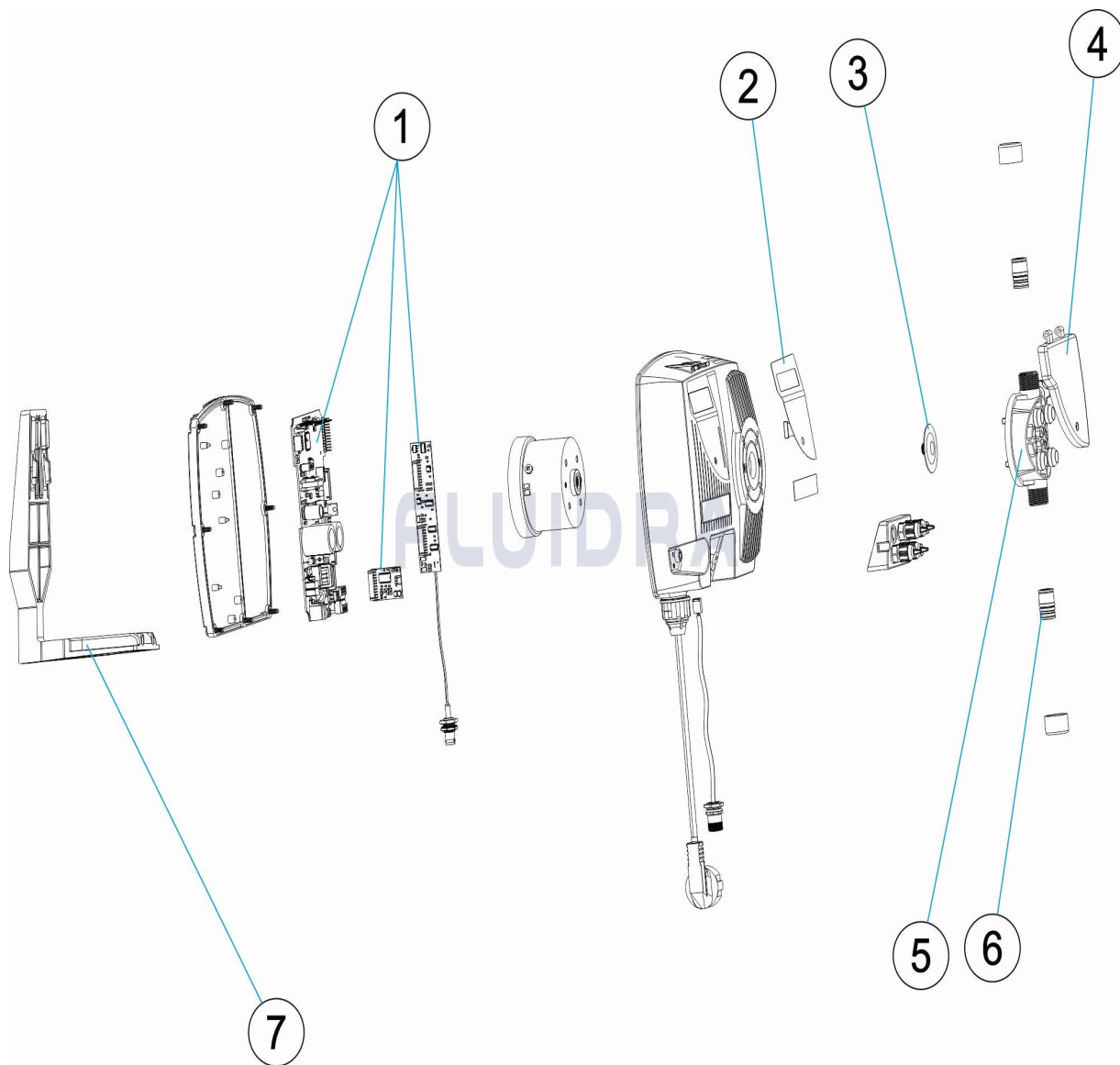


CODIGO **57140, 66179**

DESCRIPCION: **BOMBA OPTIMA PLUS (PH/REDOX)**



**ESPAÑOL**

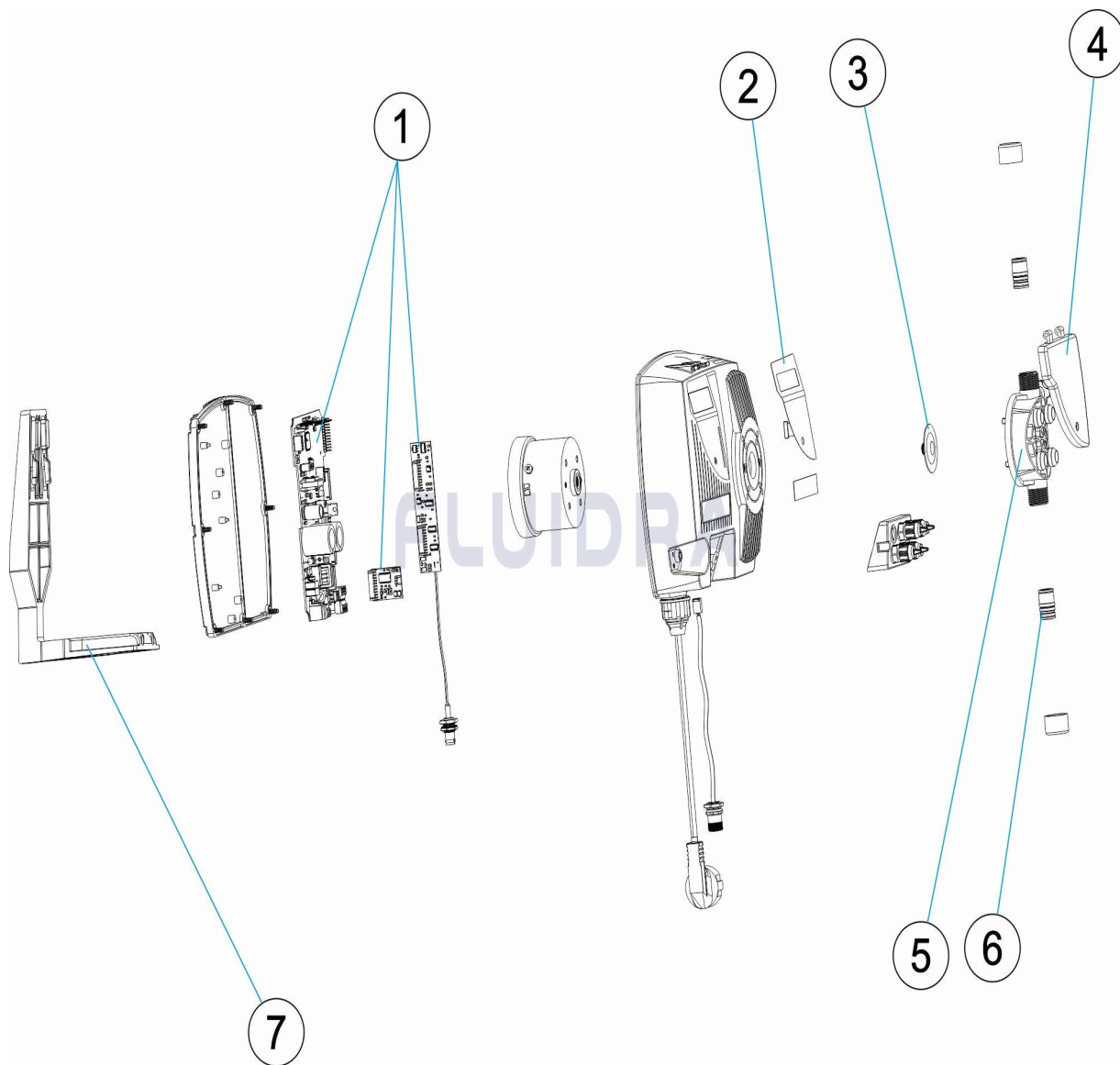
POS	CODIGO	DESCRIPCION	CANTIDAD	POS	CODIGO	DESCRIPCION	CANTIDAD
1	* 36013R0012	CIRCUITO DIGITAL 10 L/H. PLUS		4	36007R0010	TAPA	
1	* 66179R0001	CIRCUITO DIGITAL CONNECT		5	36007R0004	CABEZAL PVDF. FPM. BOLAS CERAMICA 5-	
2	57140R0005	TECLADO		6	57140R0003	VÁLVULA KOMPACT PVDF-T/FPM	
3	57140R0004	DIAFRAGMA		7	36830	PIE SOPORTE	

CODIGO **57140, 66179**DESCRIPCION: **BOMBA OPTIMA PLUS (PH/REDOX)****OBSERVACIONES**

POS	CODIGO	OBSERVACIONES
1	* 36013R0012	PARA: 57140
1	* 66179R0001	PARA: 66179

CODE 57140, 66179

DESCRIPTION: POMPE OPTIMA PLUS (PH/REDOX)



FRANCAIS

POS	CODE	DESCRIPTION	QUANTITE	POS	CODE	DESCRIPTION	QUANTITE
1	* 36013R0012	CIRCUIT DIGITAL 10 L/H PLUS		4	36007R0010	COUVERCLE	
1	* 66179R0001	CIRCUIT DIGITAL CONNECT		5	36007R0004	TETE PVDF FPM BOISSEUX CERAMIQUE	
2	57140R0005	CLAVIER		6	57140R0003	VANNE KOMPACT PVDF-T/FPM	
3	57140R0004	DIAPHRAGME		7	36830	PIED SUPPORT	

CODE **57140, 66179**

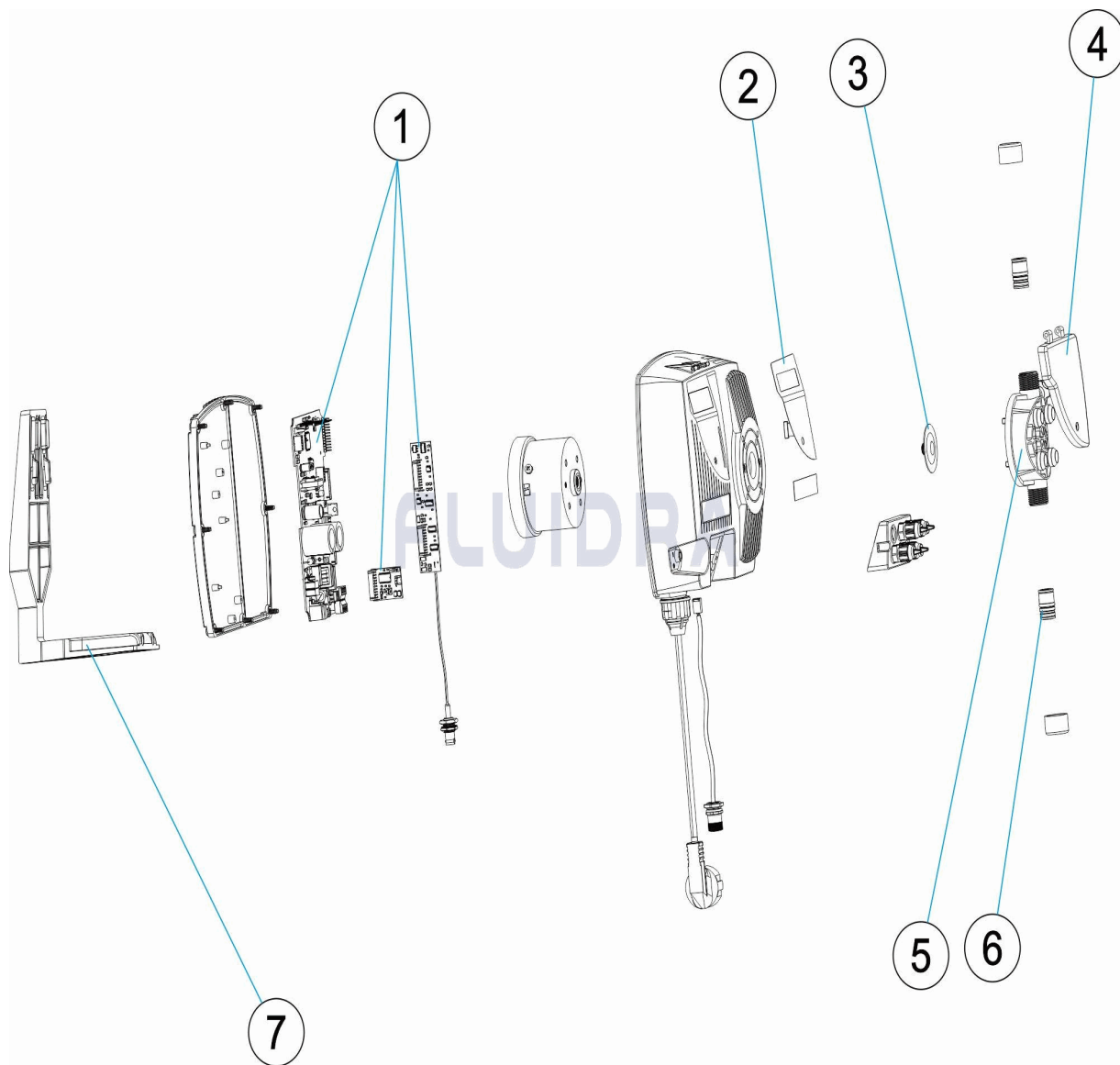
DESCRIPTION: **POMPE OPTIMA PLUS (PH/REDOX)**

**OBSERVATIONS**

POS	CODE	OBSERVATIONS
1	* 36013R0012	POUR: 57140
1	* 66179R0001	POUR: 66179

CODE **57140, 66179**

DESCRIPTION: **OPTIMA PLUS PUMP (PH/REDOX)**



**ENGLISH**

POS	CODE	DESCRIPTION	QUANTITY	POS	CODE	DESCRIPTION	QUANTITY
1	* 36013R0012	10 L/H DIGITAL CIRCUIT PLUS		4	36007R0010	COVER	
1	* 66179R0001	CONNECT DIGITAL CIRCUIT		5	36007R0004	5-10 L/H CERAMIC BALLS. PVDF HEAD. FPM	
2	57140R0005	KEYPAD		6	57140R0003	KOMPACT PVDF-T/FPM VALVE	
3	57140R0004	DIAPHRAGM		7	36830	SUPPORT FOOT	

CODE                    **57140, 66179**

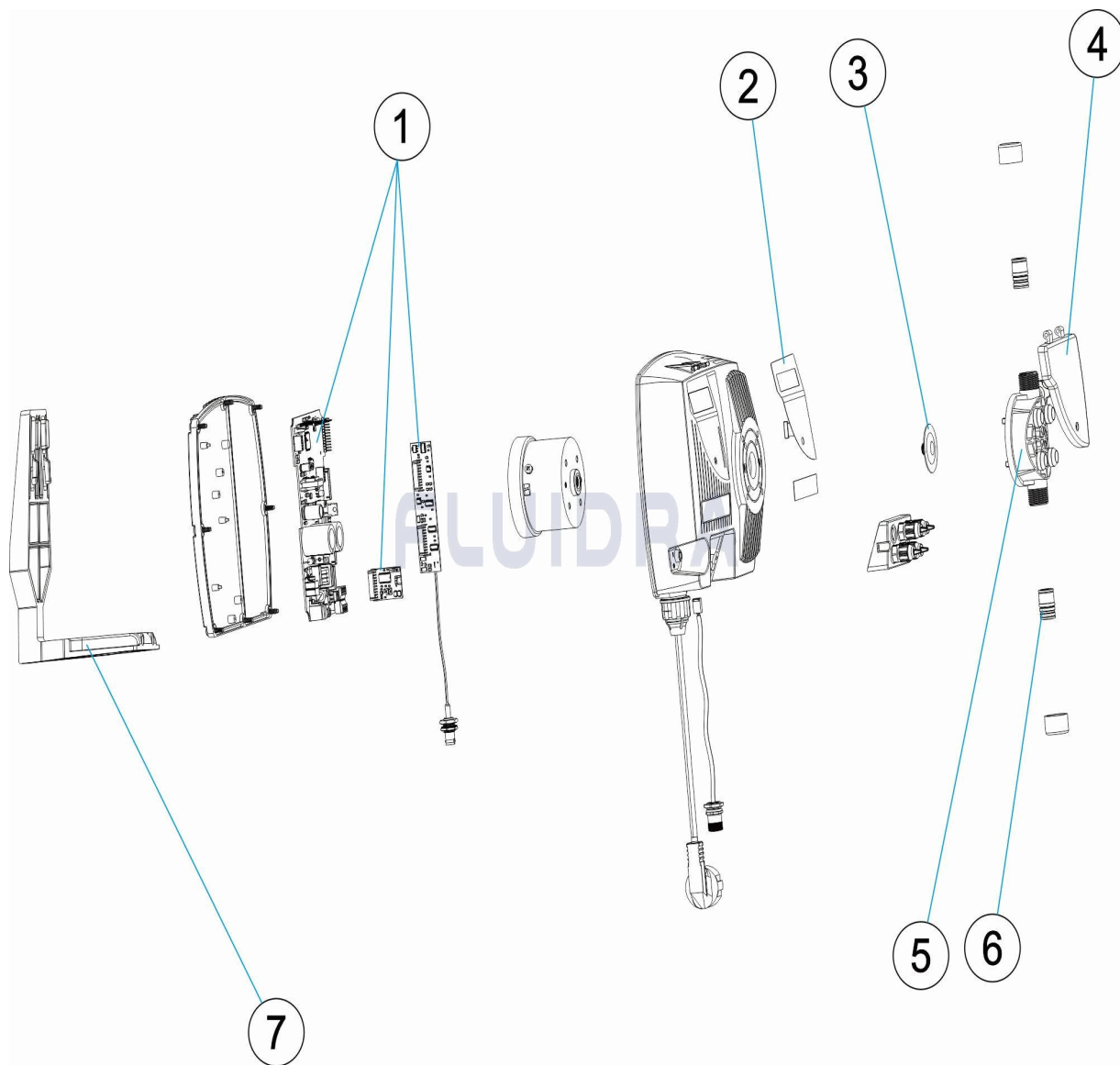
DESCRIPTION: **OPTIMA PLUS PUMP (PH/REDOX)**

### OBSERVATIONS

POS	CODE	OBSERVATIONS
1	* 36013R0012	FOR: 57140
1	* 66179R0001	FOR: 66179

CODICE **57140, 66179**

DESCRIZIONE: **POMPA OPTIMA PLUS (PH/REDOX)**



**ITALIANO**

POS	CODICE	DESCRIZIONE	QUANTITA'	POS	CODICE	DESCRIZIONE	QUANTITA'
1	* 36013R0012	CIRCUITO DIGITALE 10 L/H. PLUS		4	36007R0010	COPERCHIO	
1	* 66179R0001	CIRCUITO DIGITALE CONNECT		5	36007R0004	TESTINA PVDF. FPM. SFERE CERAMICA 5-'	
2	57140R0005	PULSANTIERA		6	57140R0003	VALVOLA KOMPACT PVDF-T/FPM	
3	57140R0004	DIAFRAMMA		7	36830	PIEDE SUPPORTO	

**CODICE 57140, 66179**

**DESCRIZIONE: POMPA OPTIMA PLUS (PH/REDOX)**

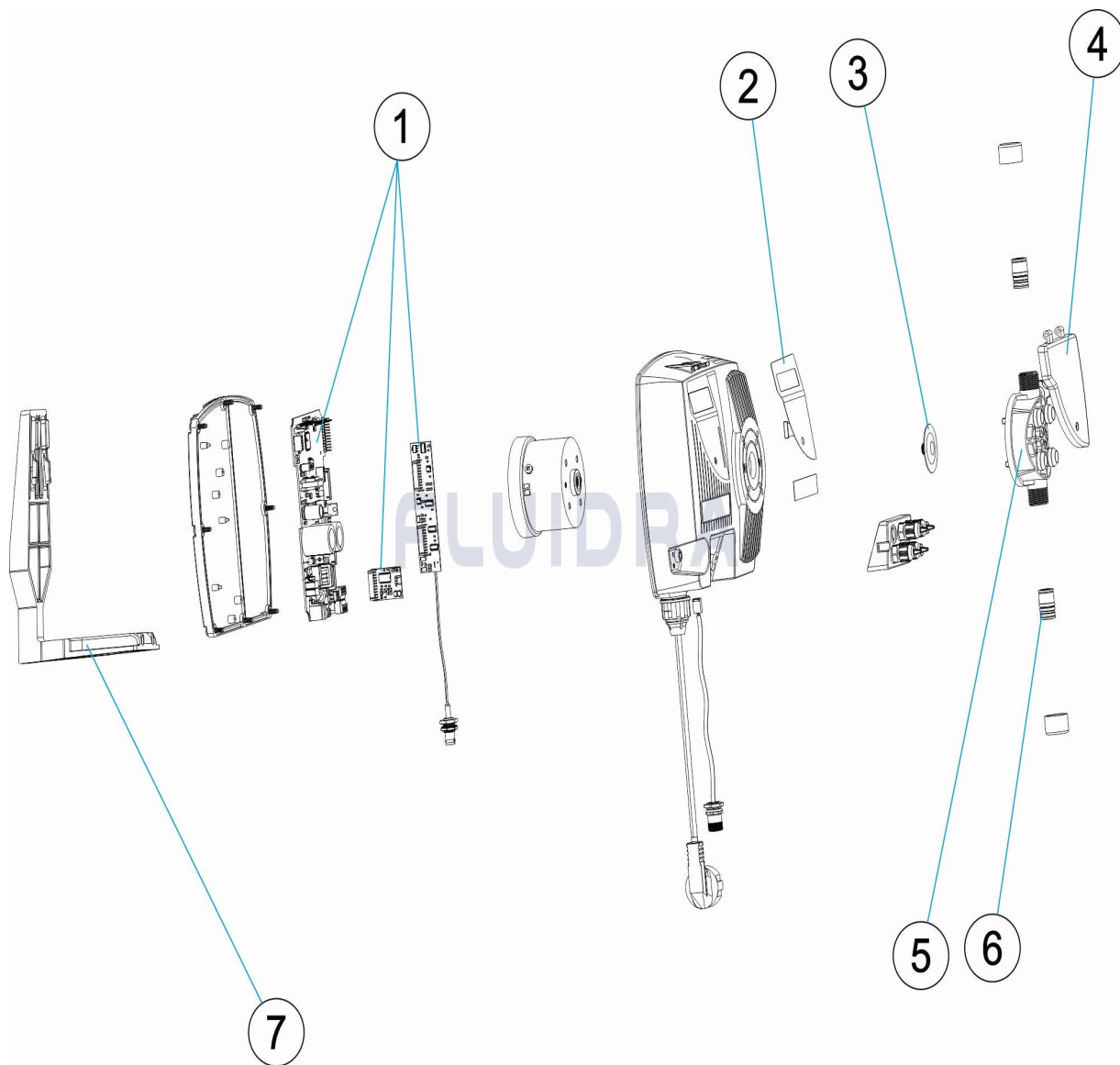
**OSSERVAZIONI**

POS	CODICE	OSSERVAZIONI
1	* 36013R0012	PER: 57140
1	* 66179R0001	PER: 66179



CODE 57140, 66179

BESCHREIBUNG: PUMPE OPTIMA PLUS (PH/REDOX)



**DEUTSCH**

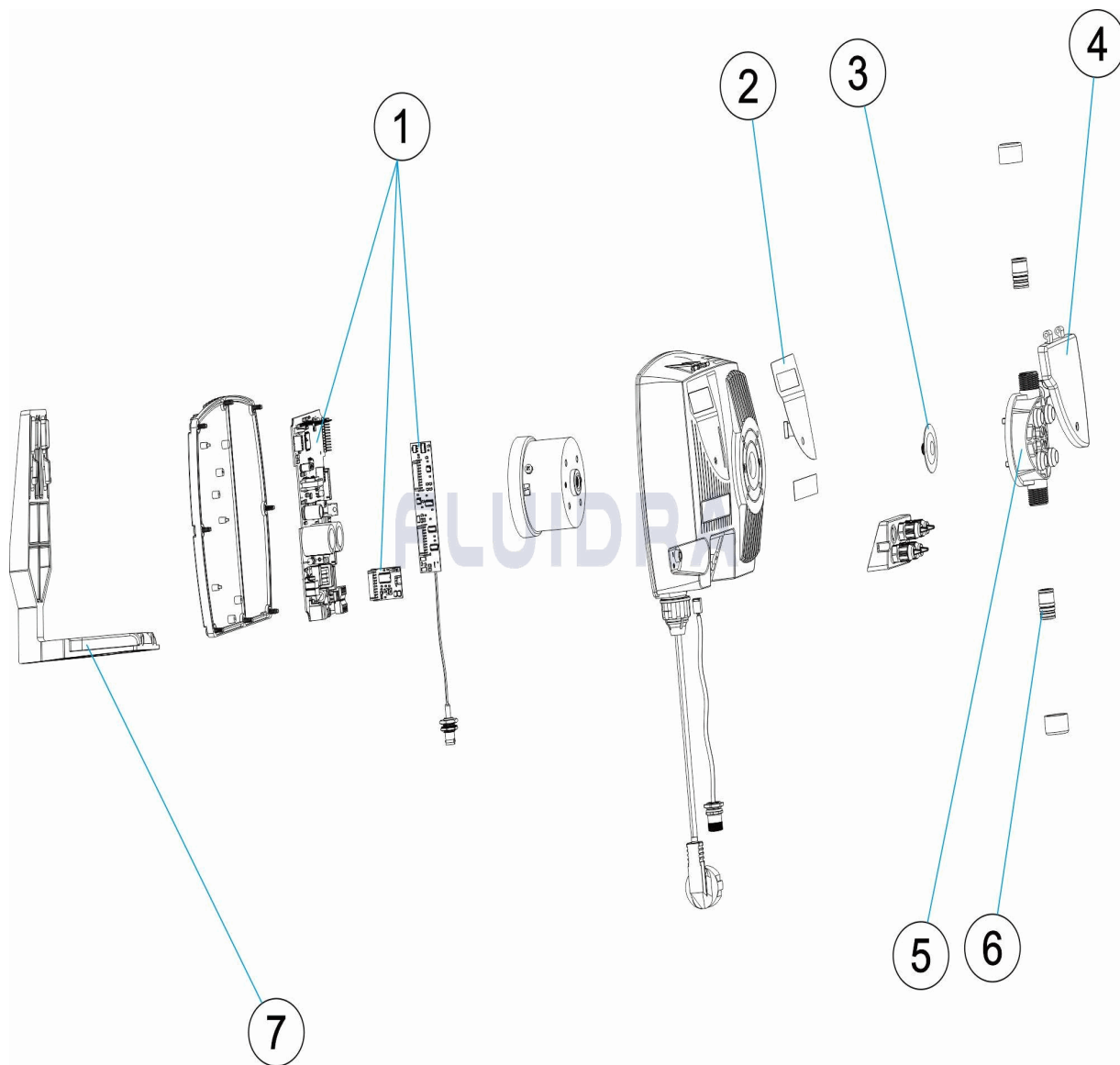
POS	CODE	BESCHREIBUNG	MENGE	POS	CODE	BESCHREIBUNG	MENGE
1	* 36013R0012	SCHALTKREIS DIGITAL 10 L/H PLUS		4	36007R0010	ABDECKUNG	
1	* 66179R0001	DIGITALER SCHALTKREIS CONNECT		5	36007R0004	KOPFSTÜCK PVDF. FPM. KUGELN KERAMII	
2	57140R0005	TASTENFELD		6	57140R0003	VENTIL KOMPACT PVDF-T/FPM	
3	57140R0004	MEMBRAN		7	36830	STÜTZFUSS	

CODE **57140, 66179**BESCHREIBUNG: **PUMPE OPTIMA PLUS (PH/REDOX)****HINWEISE**

POS	CODE	HINWEISE
1	* 36013R0012	FÜR: 57140
1	* 66179R0001	FÜR: 66179

CODIGO 57140, 66179

DESCRIÇÃO: BOMBA OPTIMA PLUS (PH/REDOX)



**PORTUGUES**

POS	CODIGO	DESCRIÇÃO	JANTIDADE	POS	CODIGO	DESCRIÇÃO	JANTIDADE
1	* 36013R0012	CIRCUITO DIGITAL 10 L/H. PLUS		4	36007R0010	TAMPA	
1	* 66179R0001	CIRCUITO DIGITAL CONNECT		5	36007R0004	CABEÇAL PVDF FPM BOLAS CERAMICA 5-1	
2	57140R0005	TECLADO		6	57140R0003	VALVULA KOMPACT PVDF-T/FPM	
3	57140R0004	DIAFRAGMA		7	36830	SUPORTE DA BASE	

**CODIGO 57140, 66179**

**DESCRIÇÃO: BOMBA OPTIMA PLUS (PH/REDOX)**

**OBSERVAÇÕES**

POS	CODIGO	OBSERVAÇÕES
1	* 36013R0012	PARA: 57140
1	* 66179R0001	PARA: 66179