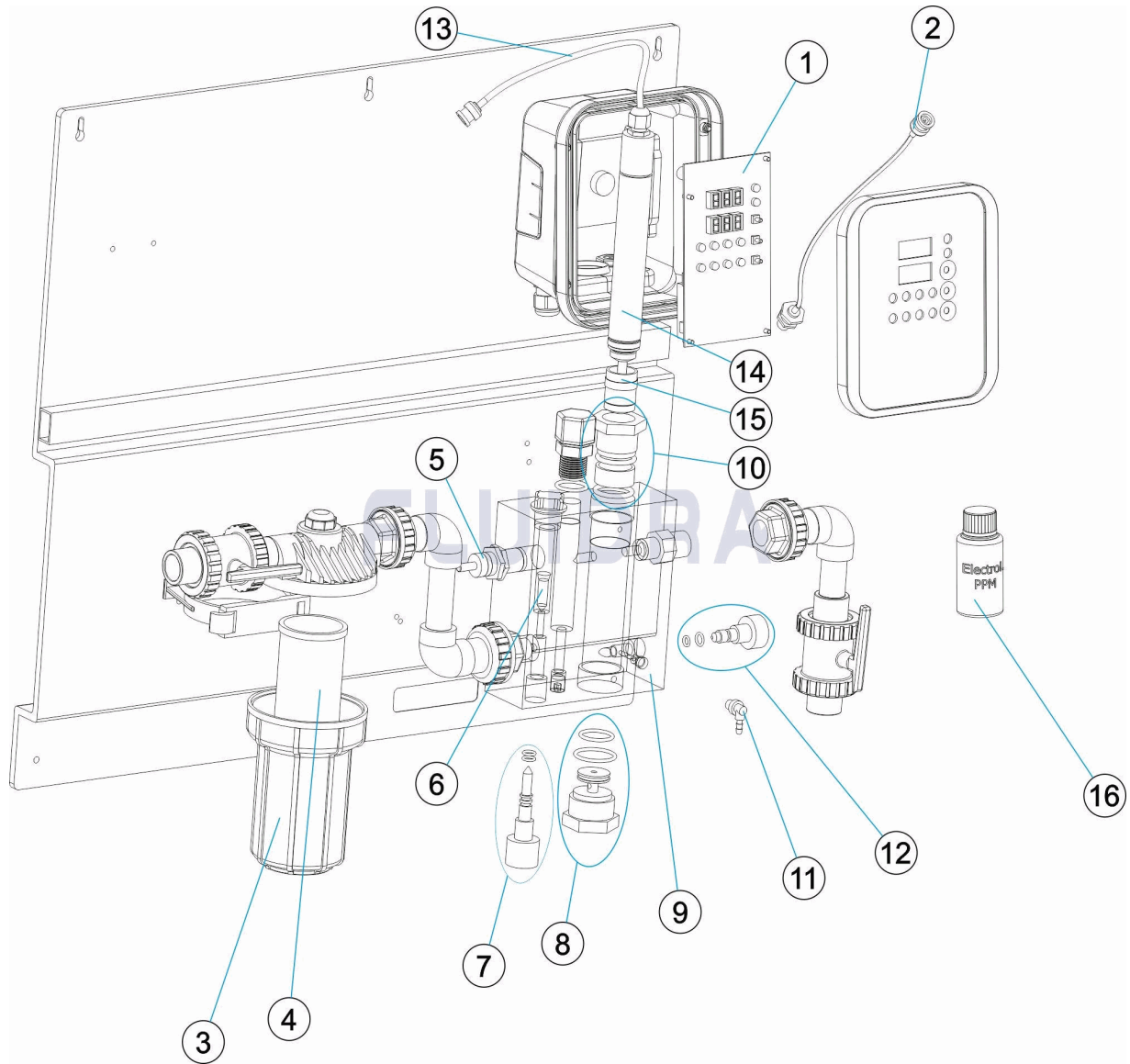


CODIGO **60362**

DESCRIPCION: **AP PR-204 CL2 PPM**

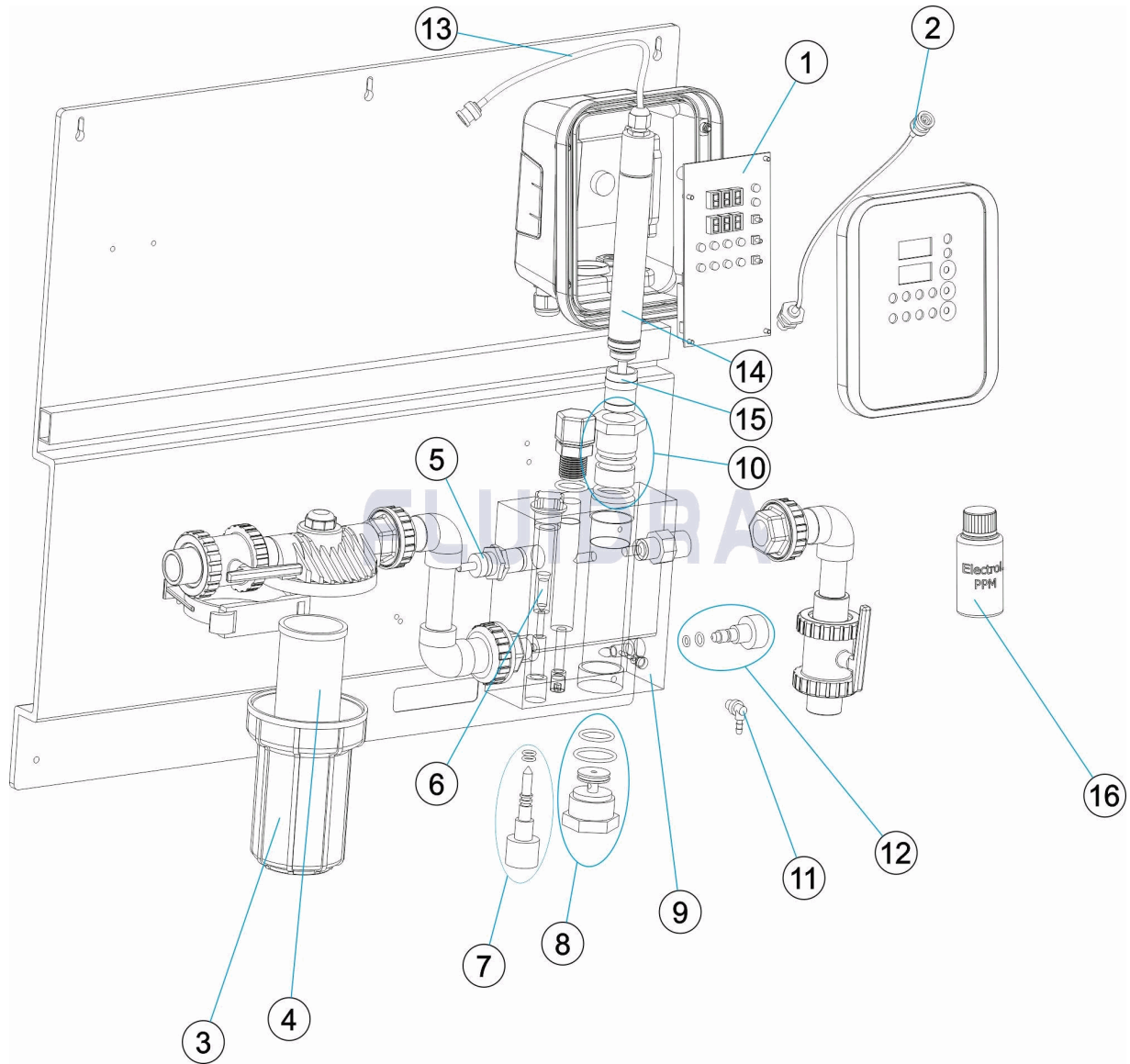


ESPAÑOL

POS	CODIGO	DESCRIPCION	CANTIDAD	POS	CODIGO	DESCRIPCION	CANTIDAD
1	4408040152	PLACA CONTROL PPM		9	4408041540	PORTASONDAS PH + CL	
2	4408070069	CONECTOR BNC		10	4408040161	RACOR + JUNTA TORICA	
3	4408041538	PORTASONDAS E/S 1/2"		11	4408040158	SALIDA DESAGÜE TOMA MUESTRAS	
4	4408041537	FILTRO PORTASONDAS LAVABLE		12	4408040157	VÁLVULA TOMA MUESTRAS	
5	4408041541	SENSOR INDUCTIVO DE CAUDAL		13	4408040216	CABLE BNC MACHO 2 HILOS A Sonda PPM	
6	4408040159	FLOTADOR DETECTOR CAUDAL		14	60645	SENSOR CLORO LIBRE	
7	4408040156	VALVULA CAUDAL + JUNTA TORICA		15	60647	CABEZAL MEMBRANA SENSOR CLORO LIB	
8	4408040160	TAPÓN INFERIOR Sonda AMPEROMÉTRIC		16	60646	ELECTROLITO ECC1/GEL Sonda CL	

CODE 60362

DESCRIPTION: AP PR-204 CL2 PPM

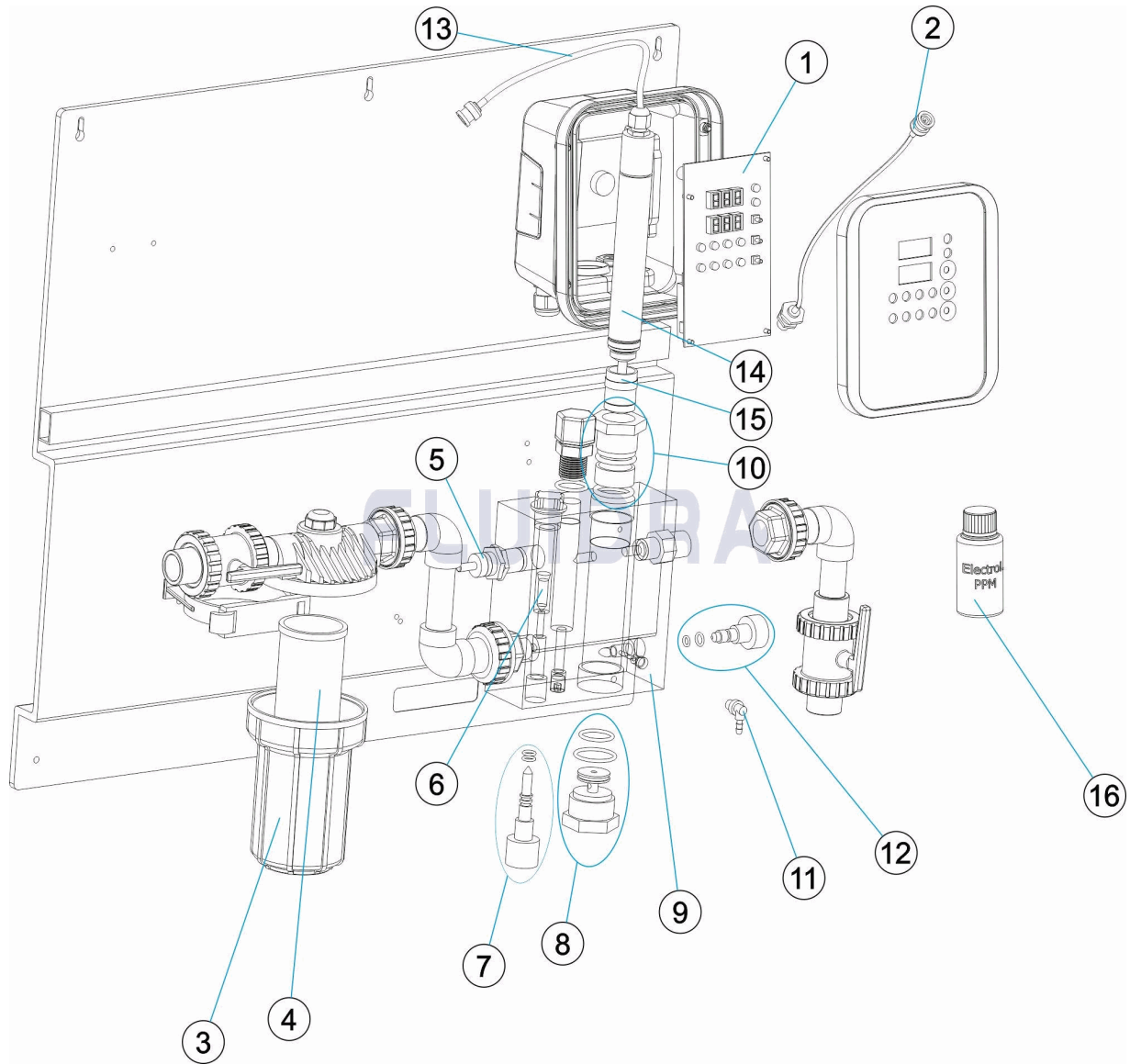


FRANCAIS

POS	CODE	DESCRIPTION	QUANTITE	POS	CODE	DESCRIPTION	QUANTITE
1	4408040152	PLAQUE CONTRÔLE PPM		9	4408041540	PORTE-SONDES PH + CL	
2	4408070069	CONNECTEUR BNC		10	4408040161	RACCORD + JOINT TORIQUE	
3	4408041538	PORTE-SONDES E/S 1/2"		11	4408040158	SORTIE DRAINAGE PRISE ÉCHANTILLONS	
4	4408041537	FILTRE PORTE-SONDES LAVABLE		12	4408040157	VANNE PRISE ÉCHANTILLONS	
5	4408041541	SONDE DE DÉBIT INDUCTIVE		13	4408040216	CABLE BNC MÂLE 2 FILS À SONDE PPM	
6	4408040159	FLOTTEUR DÉTECTEUR DÉBIT		14	60645	SONDE DE CHLORE LIBRE	
7	4408040156	VANNE REGULATION DE DEBIT + JOINT TC		15	60647	CAPSULE MEMBRANE POUR SONDE CHLC	
8	4408040160	BOUCHON INF. CAPTEUR AMPÉROMÉTRIK		16	60646	ELECTROLYTE	

CODE **60362**

DESCRIPTION: **AP PR-204 CL2 PPM**

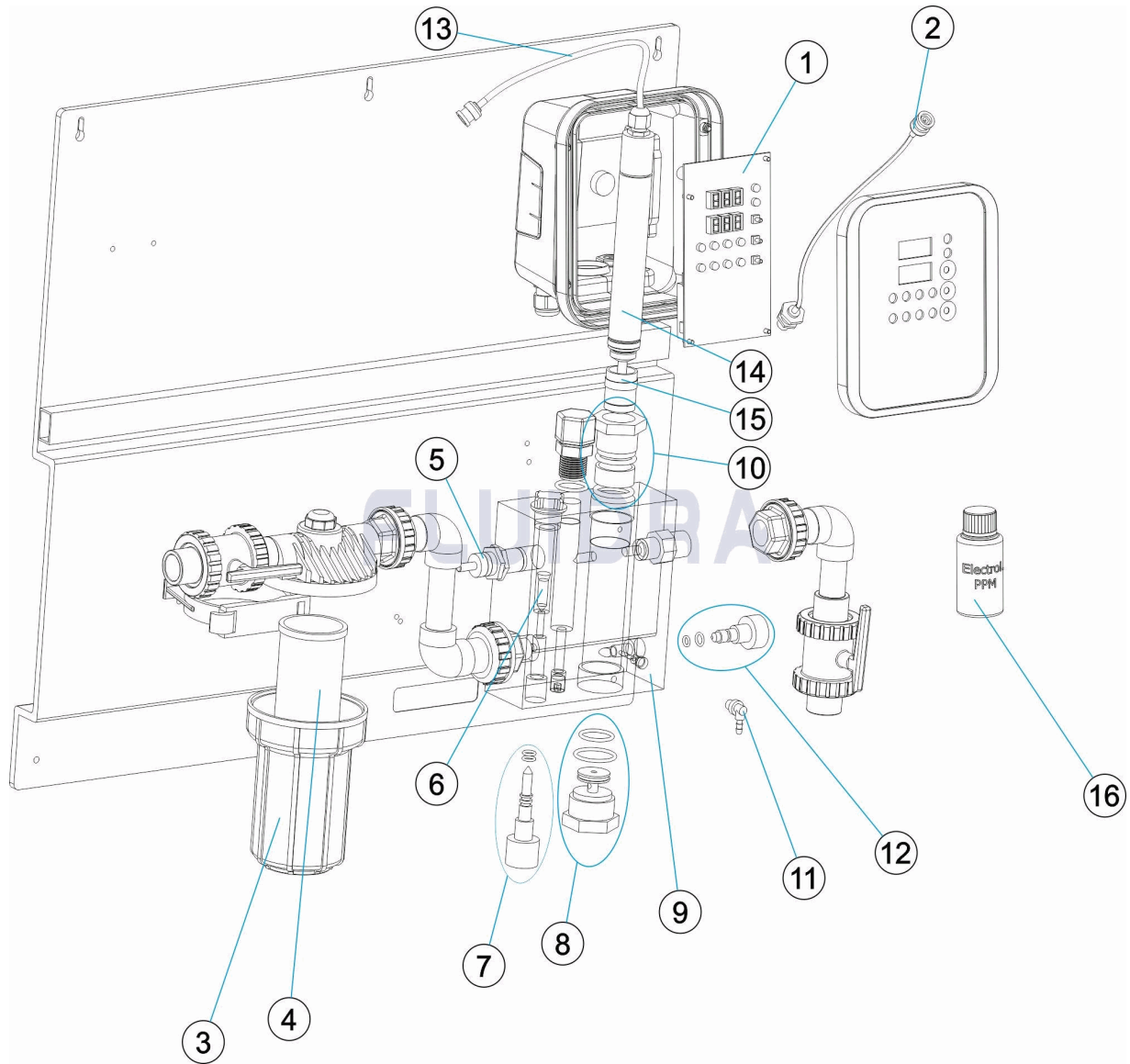


ENGLISH

POS	CODE	DESCRIPTION	QUANTITY	POS	CODE	DESCRIPTION	QUANTITY
1	4408040152	ELECTRONIC CARD PPM		9	4408041540	SENSOR HOLDER PH + CL	
2	4408070069	BNC CONNECTOR		10	4408040161	ADAPTOR + O' RING	
3	4408041538	MAXIM CELL E/S 1/2"		11	4408040158	SAMPLING DRAIN OUTLET	
4	4408041537	WASHABLE MAXIM CELL FILTER		12	4408040157	SAMPLING VALVE	
5	4408041541	INDUCTIVE FLOW SENSOR		13	4408040216	2 WIRE MALE BNC CABLE TO PPM PROBE	
6	4408040159	FLOW DETECTOR FLOAT		14	60645	FREE CHLORINE SENSOR	
7	4408040156	CONTROL VALVE + O' RING		15	60647	MEMBRANE CAP FOR FREE CHLORINE SEI	
8	4408040160	LOWER CAP AMPEROMETRIC PROBE		16	60646	ELECTROLITE	

CODICE 60362

DESCRIZIONE: AP PR-204 CL2 PPM

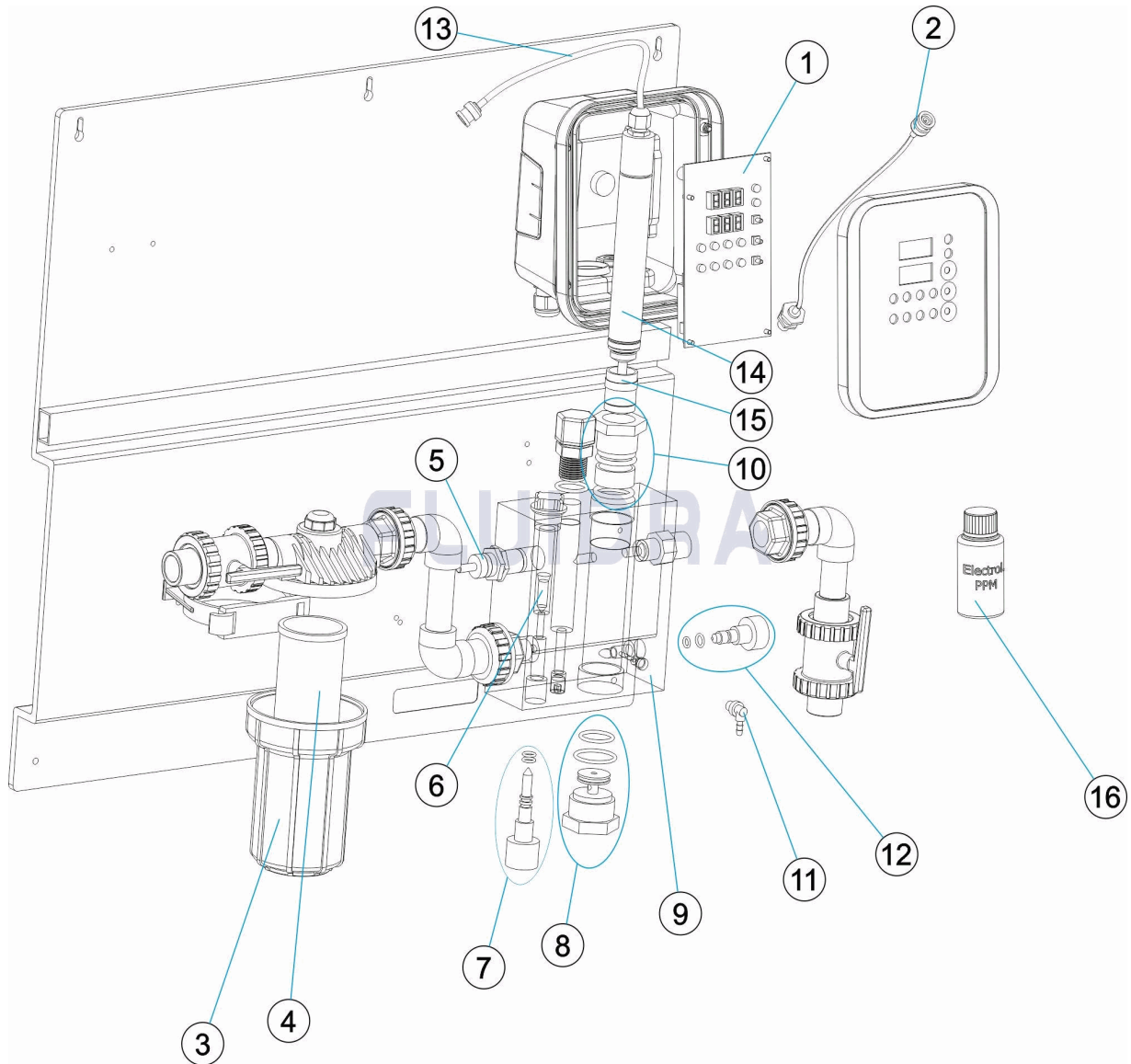


ITALIANO

POS	CODICE	DESCRIZIONE	QUANTITA'	POS	CODICE	DESCRIZIONE	QUANTITA'
1	4408040152	SCHEDA PPM		9	4408041540	PORTA-SONDE PH + CL	
2	4408070069	CONNETTORE BNC		10	4408040161	RACCORDO + O-RING	
3	4408041538	PORTA-SONDE E/S 1/2"		11	4408040158	USCITA SCARICO PRELIEVO CAMPIONI	
4	4408041537	FILTRO PORTA-SONDE LAVABILE		12	4408040157	VALVOLA PRELIEVO CAMPIONI	
5	4408041541	SONDA DI FLUSSO INDUTTIVA		13	4408040216	CAVO BNC MASCHIO 2 FILI A SONDA PPM	
6	4408040159	GALLEGGIANTE RILEVATORE DI PORTATA		14	60645	SONDA DI CLORO LIBERO	
7	4408040156	VALVOLA DI REGOLAZIONE + O-RING		15	60647	TAPPO MEMBRANA PER SONDA CLORO LI	
8	4408040160	TAPPO INFERIORE SONDA AMPEROMETR		16	60646	ELETTROLITO	

CODE **60362**

BESCHREIBUNG: **AP PR-204 CL2 PPM**

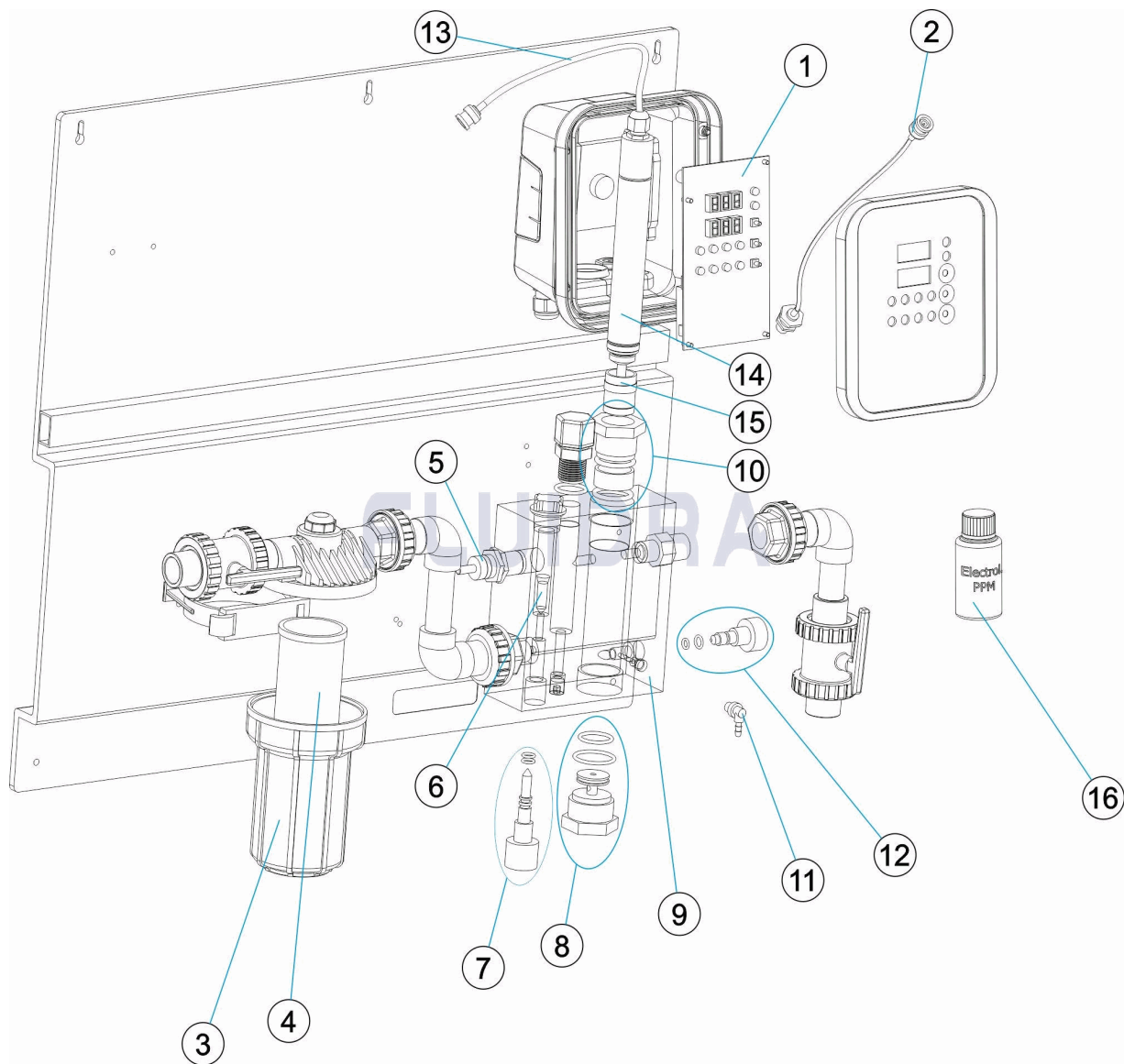


DEUTSCH

POS	CODE	BESCHREIBUNG	MENGE	POS	CODE	BESCHREIBUNG	MENGE
1	4408040152	PPM-KONTROLLPLATTE		9	4408041540	SONDENHALTERUNG PH + CL	
2	4408070069	STECKKUPPLUNG BNC		10	4408040161	GEWINDESTÜCK + O-RING	
3	4408041538	SONDENHALTERUNG E/S 1/2"		11	4408040158	ABLASS PROBEENTNAHME	
4	4408041537	SONDENHALTERUNG FILTER WASCHBAR		12	4408040157	VENTIL PROBEENTNAHME	
5	4408041541	INDUKTIVER DURCHFLUSSMESSER		13	4408040216	KABEL BNC NIPPEL 2 FASEN ZU PPM-SONE	
6	4408040159	SCHWIMMER DURCHFLUSSANZEIGE		14	60645	FREICHLORMESSER	
7	4408040156	DURCHFLUSSVENTIL + O-RING		15	60647	KOPFSTÜCK MEMBRAN FREICHLORMESSI	
8	4408040160	STOPFEN UNTEN AMPEREMETRISCHE SC		16	60646	ELEKTROLYT ECC1/GEL SONDE CL	

CODIGO **60362**

DESCRIÇÃO: **AP PR-204 CL2 PPM**



PORTUGUES

POS	CODIGO	DESCRIÇÃO	JANTIDADE	POS	CODIGO	DESCRIÇÃO	JANTIDADE
1	4408040152	PLACA CONTROLO PPM		9	4408041540	PORTA-SONDAS PH + CL	
2	4408070069	LIGAÇÃO BNC		10	4408040161	RACORD + JUNTA TÓRICA	
3	4408041538	PORTA-SONDAS E/S 1/2"		11	4408040158	SAÍDA DESCARGA RECOLHA AMOSTRAS	
4	4408041537	FILTRO PORTA-SONDAS LAVÁVEL		12	4408040157	VÁLVULA RECOLHA AMOSTRAS	
5	4408041541	SONDA DE CAUDAL INDUTIVA		13	4408040216	CABO BNC MACHO 2 FIOS A SONDA PPM	
6	4408040159	BOIA DETETOR DE CAUDAL		14	60645	SONDA DE CLORO LIVRE	
7	4408040156	VÁLVULA CAUDAL + JUNTA TÓRICA		15	60647	CÁPSULA MEMBRANA PARA SONDA CLOR	
8	4408040160	TAMPA INFERIOR SONDA AMPEROMÉTRIC		16	60646	ELECTROLITO	