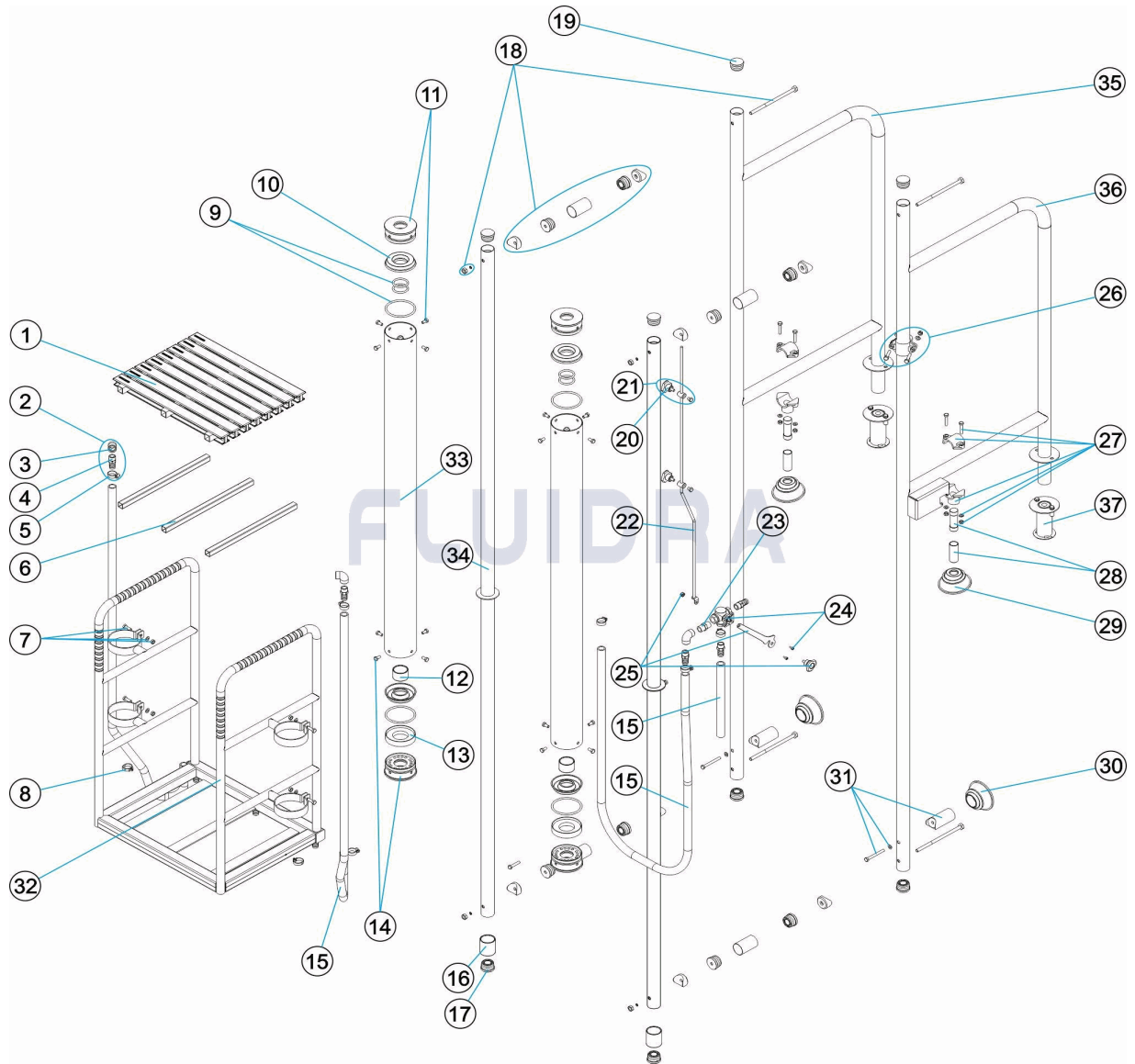


CODIGO **63157, 63158, 63159**

DESCRIPCION: **ELEVADOR HIDRÁULICO CON PLATAFORMA**



ESPAÑOL

POS	CODIGO	DESCRIPCION	CANTIDAD	POS	CODIGO	DESCRIPCION	CANTIDAD
1	4401140000	PERFIL PLATAFORMA		16	4401011512	CASQUILLO DE SEGURIDAD	
2	4401140002	CODO NORMA 90° + CONEXION		17	4401140010	CASQUILLO	
3	4401140003	CODO NORMA 90°		18	4401011519	CJTO. ENLACE UNION	
4	4401140004	CONEXION 1/2"		19	4401140011	TAPA SUPERIOR	
5	4401140005	ABRAZADERA 16-27		20	4401050109	POMO FRENO ENROLLADOR	
6	4401140001	TUBO GUIA PERFIL		21	4401140012	POMO FRENO VARILLA	
7	4401140006	TORNILLERIA PLATAFORMA		22	4401140013	VARILLA MANIOBRA	
8	4401140007	ABRAZADERA		23	4401140014	MACHON 1/2"	
9	4401011501	JUNTAS ELEVADOR		24	4401140019	VALVULA 3 VIAS INOX	
10	4401011509	JUNTA ELEVADOR		25	4401140015	MANETA VALVULA + POMO FRENO	
11	4401011517	TAPA GUIA SUPERIOR		26	4401140016	SOPORTE VARILLA	
12	4401011505	CASQUILLO TOPE INFERIOR		27	4401011520	BRIDA APOYO	
13	4401011516	APOYO JUNTA		28	4401140017	SOPORTE INFERIOR	

*** NOTA OBSERVACIONES**

CODIGO **63157, 63158, 63159**

DESCRIPCION: **ELEVADOR HIDRÁULICO CON PLATAFORMA**

14	4401140008	TAPA GUIA INFERIOR	29	4401011506	TOPE ARTICULADO D.28
15	4401140009	MANGUERA 5,3 M.	30	4401010501	TOPE ARTICULADO
31	4401140018	SOPORTE PARED	35	* 63158R0110	PASAMANO IZQUIERDO A-1100
32	63159R0110	PLATAFORMA	36	* 63157R0210	PASAMANO DERECHO A-650
33	63157R0400	CILINDRO	36	* 63158R0210	PASAMANO DERECHO A-1100
34	63157R0300	EJE CILINDRO	37	00143	ANCLAJE FIJACION CON TORNILLOS
35	* 63157R0110	PASAMANO IZQUIERDO A-650			

CODIGO 63157, 63158, 63159

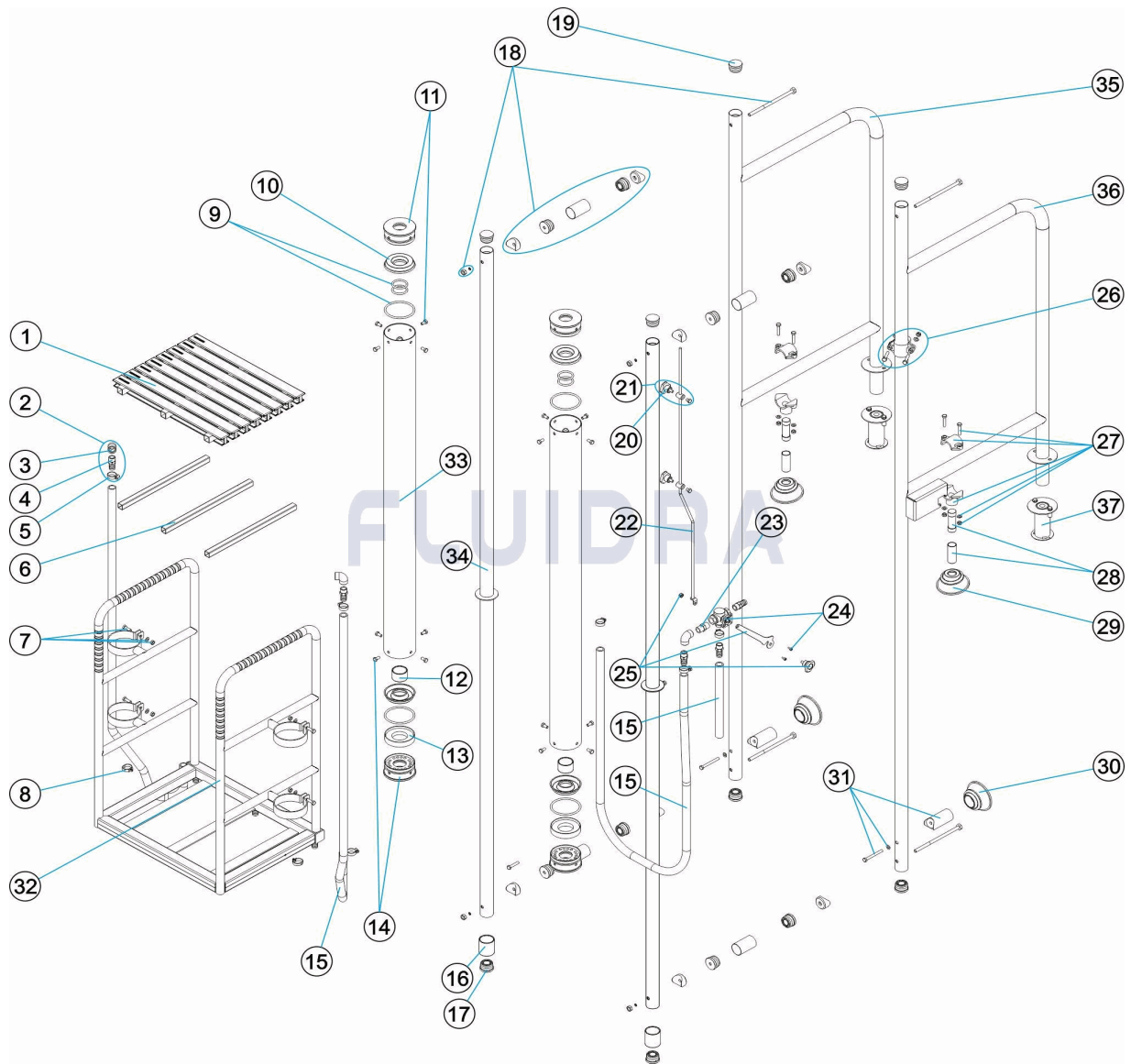
DESCRIPCION: ELEVADOR HIDRÁULICO CON PLATAFORMA

OBSERVACIONES

POS	CODIGO	OBSERVACIONES
35	* 63157R0110	PARA: 63157
35	* 63158R0110	PARA: 63158
36	* 63157R0210	PARA: 63157
36	* 63158R0210	PARA: 63158

CODE 63157, 63158, 63159

DESCRIPTION: ÉLÉVATEUR HYDRAULIQUE AVEC PLATEFORME



FRANCAIS

POS	CODE	DESCRIPTION	QUANTITE	POS	CODE	DESCRIPTION	QUANTITE
1	440114000	PROFIL PLATEFORME		16	4401011512	DOUILLE DE SÉCURITÉ	
2	440114002	COUDE NORME 90° + CONNEXION		17	4401140010	DOUILLES	
3	440114003	COUDE NORME 90°		18	4401011519	ENSEMBLE RACCORD UNION	
4	440114004	CONNEXION 1/2"		19	4401140011	COUVERCLE SUPÉRIEUR	
5	440114005	COLLIER 16-27		20	4401050109	VIS DE FREINAGE ENROULEUR	
6	440114001	TUBE GUIDE PROFIL		21	4401140012	VIS DE FREINAGE BAGUETTE	
7	440114006	VIS PLATE-FORME		22	4401140013	BAGUETTE MANCEUVRE	
8	440114007	COLLIER		23	4401140014	MANCHON 1/2"	
9	4401011501	JOINT ELEVATEUR		24	4401140019	VANNE 3 VOIES INOXYDABLE	
10	4401011509	JOINT ELEVATEUR		25	4401140015	MANETTE VANNE + POMMEAU FREIN	
11	4401011517	COUVERCLE GUIDE SUPÉRIEUR		26	4401140016	SUPPORT BAGUETTE	
12	4401011505	DOUILLES		27	4401011520	BRIDE DE SUPPORT	
13	4401011516	SUPPORT DE JOINT		28	4401140017	SUPPORT INFÉRIEUR	

* VOIR FICHE D'OBSERVATIONS

CODE **63157, 63158, 63159**

DESCRIPTION: **ÉLÉVATEUR HYDRAULIQUE AVEC PLATEFORME**

14	4401140008	COUVERCLE GUIDE INFERIEUR	29	4401011506	TAMPON ARTICULÉ D 28
15	4401140009	TUYAU 5,3 M.	30	4401010501	TAMPON ARTICULÉ
31	4401140018	SUPPORT MURAL	35	* 63158R0110	MAIN COURANTE GAUCHE A-1100
32	63159R0110	PLATEFORME	36	* 63157R0210	MAIN COURANTE DROITE A-650
33	63157R0400	CYLINDRE	36	* 63158R0210	MAIN COURANTE DROITE A-1100
34	63157R0300	AXE CYLINDRE	37	00143	FIXATION AVEC VIS
35	* 63157R0110	MAIN COURANTE GAUCHE A-650			

CODE **63157, 63158, 63159**

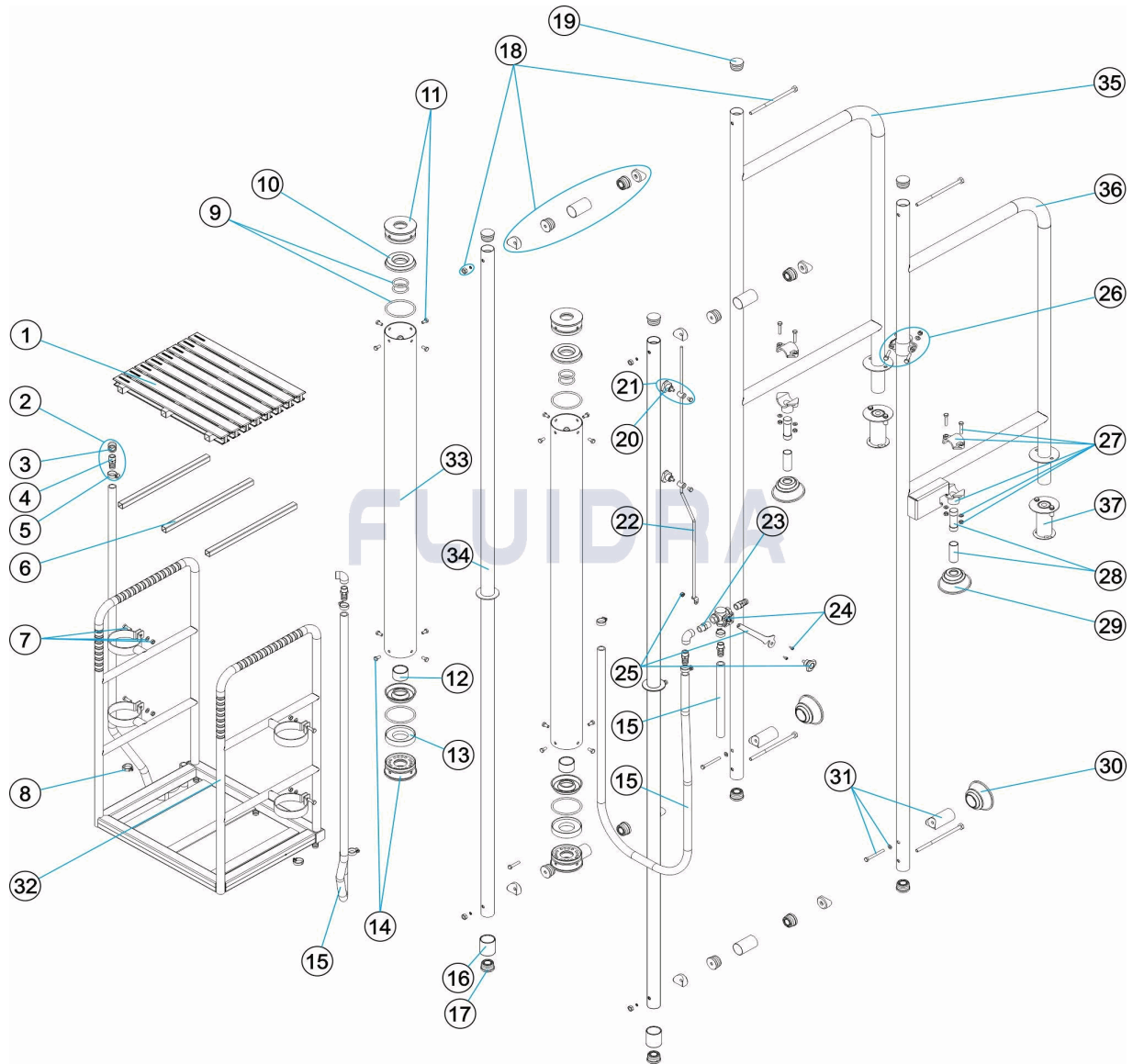
DESCRIPTION: **ÉLÉVATEUR HYDRAULIQUE AVEC PLATEFORME**

OBSERVATIONS

POS	CODE	OBSERVATIONS
35	* 63157R0110	POUR: 63157
35	* 63158R0110	POUR: 63158
36	* 63157R0210	POUR: 63157
36	* 63158R0210	POUR: 63158

CODE **63157, 63158, 63159**

DESCRIPTION: **HYDRAULIC LIFT WITH PLATFORM**



ENGLISH

POS	CODE	DESCRIPTION	QUANTITY	POS	CODE	DESCRIPTION	QUANTITY
1	440114000	PLATFORM PROFILE		16	4401011512	SECURITY SOCKET	
2	440114002	90° BEND + CONNECTION		17	4401140010	BUSHES	
3	440114003	90° BEND		18	4401011519	UNION KIT	
4	440114004	CONNECTION 1/2"		19	4401140011	SUPERIOR COVER	
5	440114005	CLAMP 16-27		20	4401050109	ROLLER BRAKE KNOB	
6	440114001	GUIDING ROLLER PROFILE		21	4401140012	BAR BRAKE KNOB	
7	440114006	PLATFORM FIXINGS		22	4401140013	OPERATING BAR	
8	440114007	CLAMP		23	4401140014	1/2" SPIGOT	
9	4401011501	LIFTER GASKETS		24	4401140019	STAINLESS 3-WAY VALVE	
10	4401011509	LIFTER GASKET		25	4401140015	VALVE HANDLE + BRAKE KNOB	
11	4401011517	SUPERIOR GUIDE COVER		26	4401140016	BAR SUPPORT	
12	4401011505	SOCKETS		27	4401011520	SUPPORT DASP	
13	4401011516	SEAL SUPPORT		28	4401140017	LOWER SUPPORT	

* SEE OBSERVATIONS SHEET

CODE **63157, 63158, 63159**

DESCRIPTION: **HYDRAULIC LIFT WITH PLATFORM**

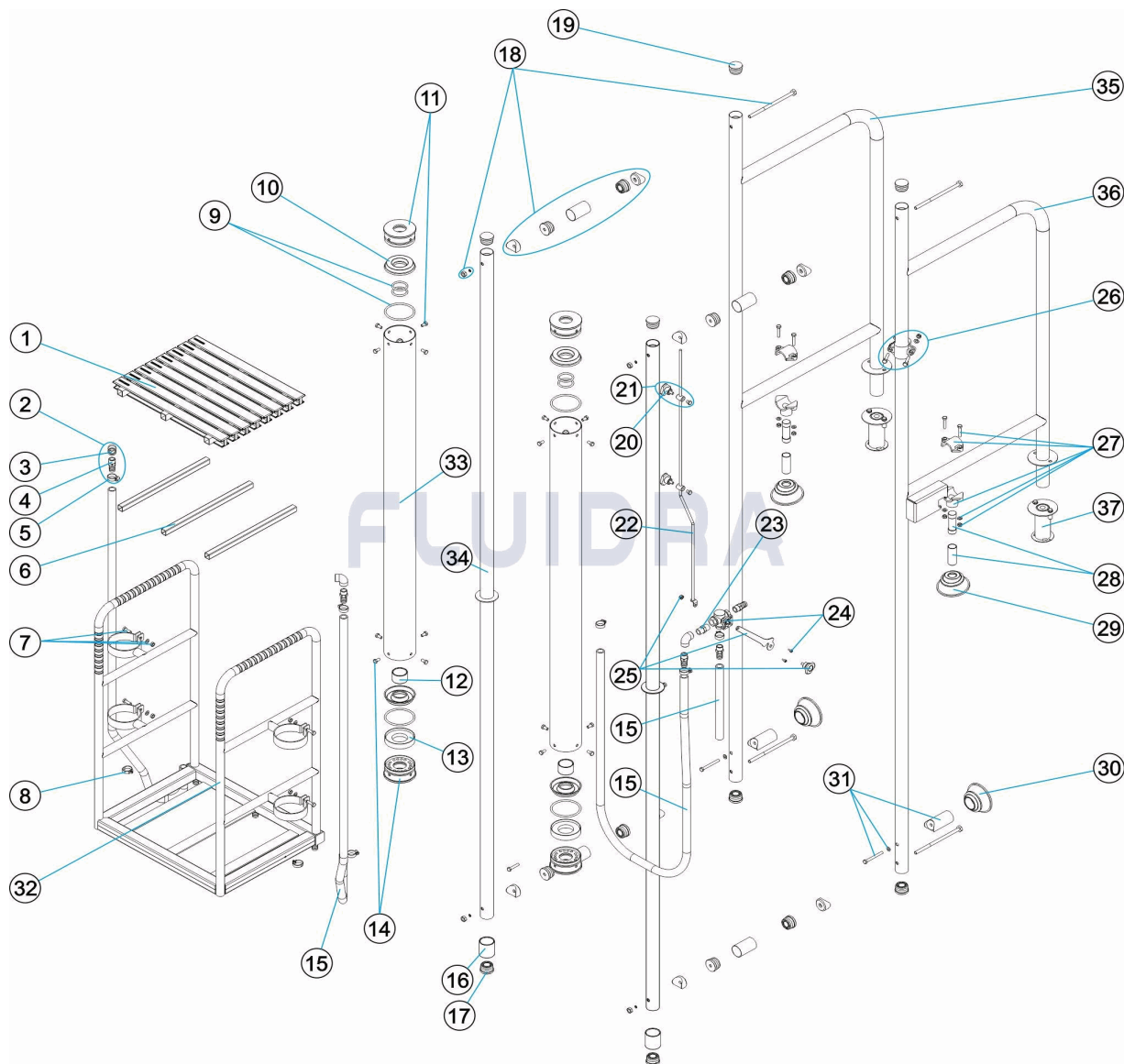
14	4401140008	INFERIOR GUIDE COVER	29	4401011506	ARTICULATED FOOT PAD D 28
15	4401140009	PIPE HOSE 5,3 M.	30	4401010501	ARTICULATED FOOT PAD
31	4401140018	WALL BRACKET	35	* 63158R0110	LEFT HANDRAIL A-1100
32	63159R0110	PLATFORM	36	* 63157R0210	RIGHT HANDRAIL A-650
33	63157R0400	CYLINDER	36	* 63158R0210	RIGHT HANDRAIL A-1100
34	63157R0300	CYLINDER SHAFT	37	00143	ANCHORING WITH SCREWS
35	* 63157R0110	LEFT HANDRAIL A-650			

CODE **63157, 63158, 63159**DESCRIPTION: **HYDRAULIC LIFT WITH PLATFORM****OBSERVATIONS**

POS	CODE	OBSERVATIONS
35	* 63157R0110	FOR: 63157
35	* 63158R0110	FOR: 63158
36	* 63157R0210	FOR: 63157
36	* 63158R0210	FOR: 63158

CODICE 63157, 63158, 63159

DESCRIZIONE: ELEVATORE IDRAULICO CON PIATTAFORMA



ITALIANO

POS	CODICE	DESCRIZIONE	QUANTITA'	POS	CODICE	DESCRIZIONE	QUANTITA'
1	440114000	PROFILO PIATTAFORMA		16	4401011512	TAPPO DI SICUREZZA	
2	440114002	RACCORDO A GOMITO 90° + CONNESSION		17	4401140010	PASSANTI	
3	440114003	RACCORDO A GOMITO 90°		18	4401011519	KIT ATTACO SEIDA	
4	440114004	CONNESSIONE 1/2"		19	4401140011	TAPPO SUPERIORE	
5	440114005	FASCETTA 16-27		20	4401050109	POMELLO FRENO RULLO	
6	440114001	TUBO GUIDA PROFILO		21	4401140012	POMELLO FRENO ASTICELLA	
7	440114006	KIT VITI PIATTAFORMA		22	4401140013	ASTICELLA MANODOPERA	
8	440114007	FASCETTA		23	4401140014	NIPPOLO 1/2"	
9	4401011501	GUARNIZIONI SOLLEVATORE		24	4401140019	VALVOLA A 3 VIE INOX	
10	4401011509	GUARNIZIONE SOLLEVATORE		25	4401140015	MANIGLIA VALVOLA + POMELLO FRENO	
11	4401011517	TAPPO GUIDA SUPERIORE		26	4401140016	SUPPORTO ASTICELLA	
12	4401011505	PASSANTI		27	4401011520	PRESA A STAFFA SOSTEGNO	
13	4401011516	SUPPORTO GUARNIZIONE		28	4401140017	SUPPORTO INFERIORE	

* SI FACCIA RIFERIMENTO AL FOGLIO DELLE OSSERVAZIONI

CODICE **63157, 63158, 63159**

DESCRIZIONE: **ELEVATORE IDRAULICO CON PIATTAFORMA**

14	4401140008	TAPPO GUIDA INFERIORE	29	4401011506	PIEDINO SNODABILE D 28
15	4401140009	TUBO 5,3 M	30	4401010501	PIEDINO SNODABILE
31	4401140018	SUPPORTO PARETE	35	* 63158R0110	CORRIMANO SINISTRO A-1100
32	63159R0110	PIATTAFORMA	36	* 63157R0210	CORRIMANO DIRITTO A-650
33	63157R0400	CILINDRO	36	* 63158R0210	CORRIMANO DIRITTO A-1100
34	63157R0300	ASSE CILINDRO	37	00143	ANCORAGGIO DI FISSAGGIO CON VITI
35	* 63157R0110	CORRIMANO SINISTRO A-650			

CODICE **63157, 63158, 63159**

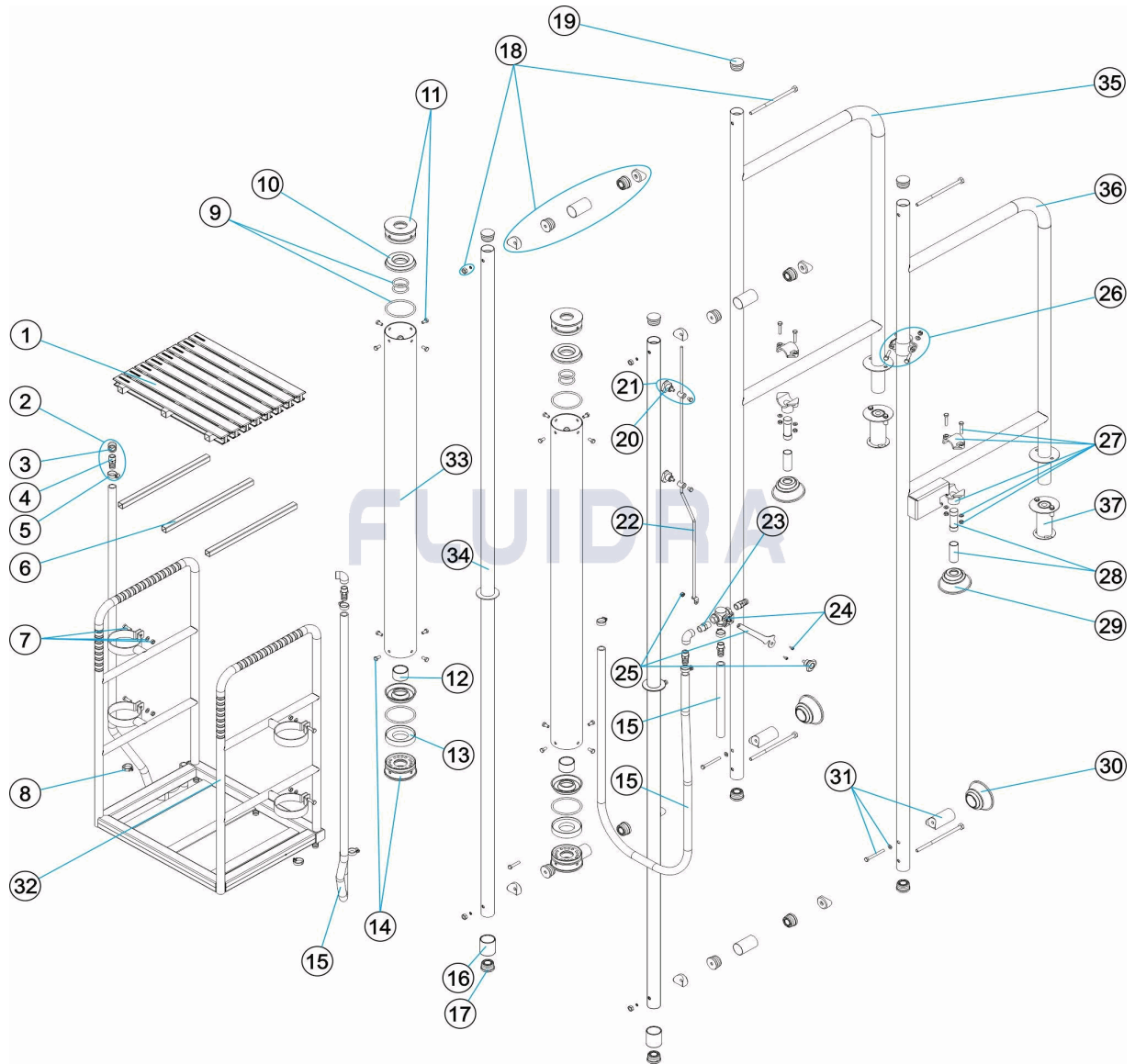
DESCRIZIONE: **ELEVATORE IDRAULICO CON PIATTAFORMA**

OSSERVAZIONI

POS	CODICE	OSSERVAZIONI
35	* 63157R0110	PER: 63157
35	* 63158R0110	PER: 63158
36	* 63157R0210	PER: 63157
36	* 63158R0210	PER: 63158

CODE **63157, 63158, 63159**

BESCHREIBUNG: **HYDRAULISCHER LIFTER MIT PLATTFORM**



DEUTSCH

POS	CODE	BESCHREIBUNG	MENGE	POS	CODE	BESCHREIBUNG	MENGE
1	440114000	PROFIL PLATTFORM		16	4401011512	SICHERHEITSSFASSUNG	
2	4401140002	WINKEL NORMA 90° MIT ANSCHLUSS		17	4401140010	FASSUNG	
3	4401140003	WINKEL NORMA 90°		18	4401011519	SET ANSCHLUSSEVERBINDUNG	
4	4401140004	ANSCHLUSS 1/2"		19	4401140011	ABDECKUNG OBEN	
5	4401140005	SHELLE 16-27		20	4401050109	BREMSGRIF HASPEL	
6	4401140001	FÜHRUNGSRÖHR PROFIL		21	4401140012	BREMSGRIF STANGENFÜHRUNG	
7	4401140006	SCHRAUBENSATZ PLATTFORM		22	4401140013	RUNDEISEN STEUERUNG	
8	4401140007	SHELLE		23	4401140014	SCHRAUBTEIL 1/2"	
9	4401011501	DICHTUNGEN LIFT		24	4401140019	3-WEGE-VENTIL EDELSTAHL	
10	4401011509	DICHTUNG LIFT		25	4401140015	GRIF VENTIL UND BREMSDREHGRIF	
11	4401011517	ABDECKUNG FÜHRUNG OBEN		26	4401140016	RUNDEISEN HALTERUNG	
12	4401011505	FASSUNG ABSCHLUSS UNTEN		27	4401011520	HILFSFLANSCH	
13	4401011516	HALTERUNG DICHTUNG		28	4401140017	HALTERUNG UNTEN	

* SIEHE ANMERKUNGSBLATT

CODE **63157, 63158, 63159**

BESCHREIBUNG: **HYDRAULISCHER LIFTER MIT PLATTFORM**

14	4401140008	ABDECKUNG FÜHRUNG UNTEN	29	4401011506	BEWEGLICHER ABSCHLUSS D. 28
15	4401140009	SCHLAUCH 5,3 M	30	4401010501	BEWEGLICHER ABSCHLUSS
31	4401140018	WANDHALTERUNG	35	* 63158R0110	HANDLAUF LINKS A-1100
32	63159R0110	PLATTFORM	36	* 63157R0210	HANDLAUF RECHTS A-650
33	63157R0400	ZYLINDER	36	* 63158R0210	HANDLAUF RECHTS A-1100
34	63157R0300	ZYLINDERACHSE	37	00143	VERANKERUNG FIXIERUNG MIT SCHRAUB
35	* 63157R0110	HANDLAUF LINKS A-650			

CODE **63157, 63158, 63159**

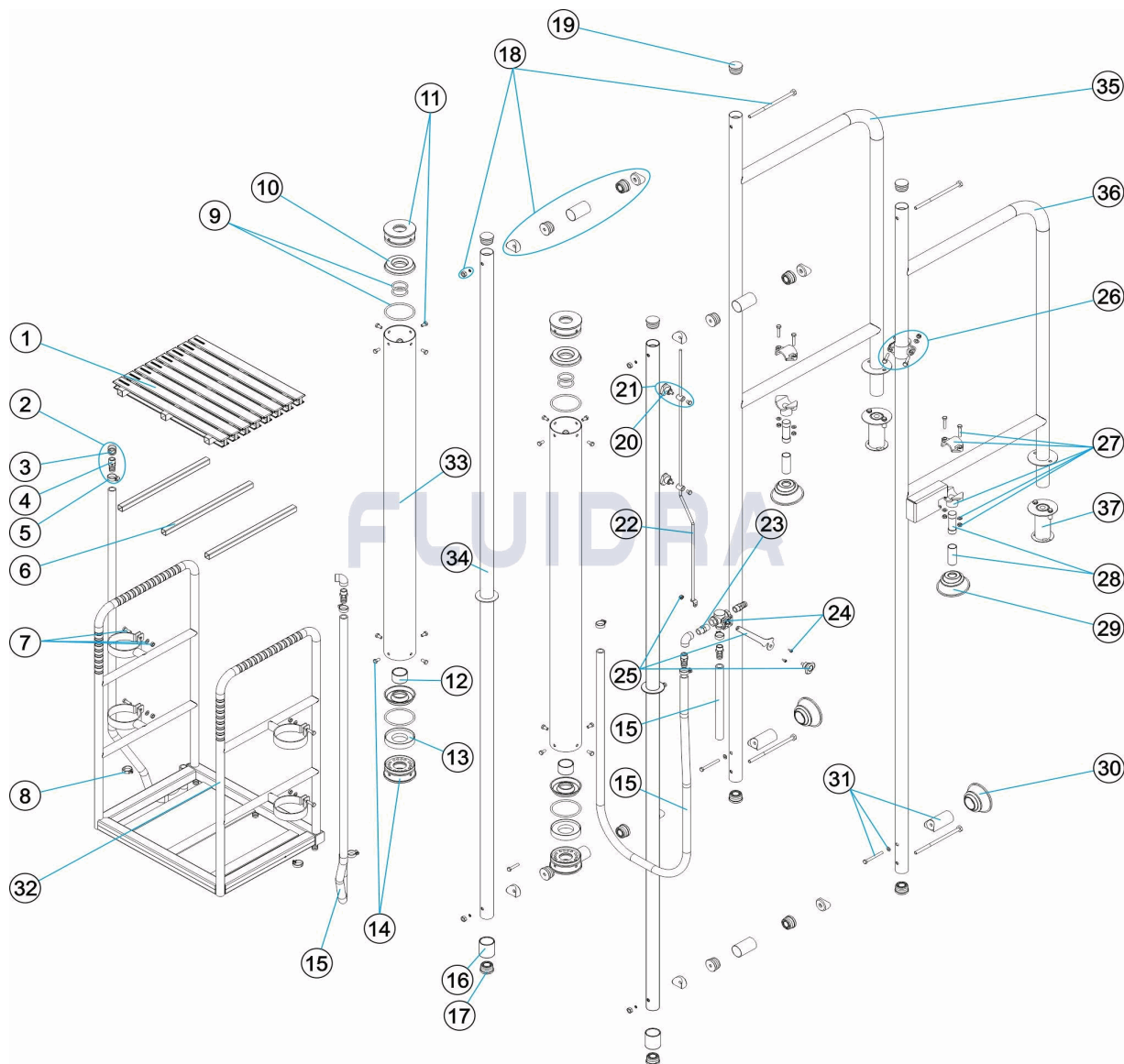
BESCHREIBUNG: **HYDRAULISCHER LIFTER MIT PLATTFORM**

HINWEISE

POS	CODE	HINWEISE
35	* 63157R0110	FÜR: 63157
35	* 63158R0110	FÜR: 63158
36	* 63157R0210	FÜR: 63157
36	* 63158R0210	FÜR: 63158

CODIGO **63157, 63158, 63159**

DESCRICÃO: **ELEVADOR HIDRÁULICO COM PLATAFORMA**



PORTUGUES

POS	CODIGO	DESCRICÃO	JANTIDADE	POS	CODIGO	DESCRICÃO	JANTIDADE
1	4401140000	PERFIL DA PLATAFORMA		16	4401011512	CASQUILHO DE SEGURANÇA	
2	4401140002	COTOVELO NORMA 90° + LIGAÇÃO		17	4401140010	CASQUILHOS	
3	4401140003	COTOVELO NORMA 90°		18	4401011519	CONJUNTO UNIÃO LIGAÇÃO	
4	4401140004	LIGAÇÃO 1/2"		19	4401140011	TAMPA SUPERIOR	
5	4401140005	ABRAÇADEIRA 16-27		20	4401050109	MANIPULO TRAVÃO ENROLADOR	
6	4401140001	TUBO GUIA DO PERFIL		21	4401140012	MANIPULO TRAVÃO VARETA	
7	4401140006	CONJ. PARAFUSOS PLATAFORMA		22	4401140013	VARETA MANOBRA	
8	4401140007	ABRAÇADEIRA		23	4401140014	MACHO 1/2"	
9	4401011501	JUNTAS ELEVADOR		24	4401140019	VALVULA 3 VIAS INOX	
10	4401011509	JUNTA ELEVADOR		25	4401140015	MANETE VÁLVULA + MAÇANETA TRAVÃO	
11	4401011517	TAMPA GUIA SUPERIOR		26	4401140016	SUPORTE VARETA	
12	4401011505	CASQUILHOS		27	4401011520	ABRAÇADEIRA DE APOIO	
13	4401011516	APOIO JUNTA		28	4401140017	SUPORTE INFERIOR	

CODIGO **63157, 63158, 63159**

DESCRIÇÃO: **ELEVADOR HIDRÁULICO COM PLATAFORMA**

14	4401140008	TAMPA GUIA INFERIOR	29	4401011506	BATENTE ARTICULADA D 28
15	4401140009	MANGUEIRA 5,3 M	30	4401010501	BATENTE ARTICULADA
31	4401140018	SUPORTE PAREDE	35	* 63158R0110	CORRIMÃO ESQUERDO A-1100
32	63159R0110	PLATAFORMA	36	* 63157R0210	CORRIMÃO DIREITO A-650
33	63157R0400	CILINDRO	36	* 63158R0210	CORRIMÃO DIREITO A-1100
34	63157R0300	EIXO CILINDRO	37	00143	ANCORAGEM FIXAÇÃO COM PARAFUSOS
35	* 63157R0110	CORRIMÃO ESQUERDO A-650			

CODIGO **63157, 63158, 63159**

DESCRIÇÃO: ELEVADOR HIDRÁULICO COM PLATAFORMA

OBSERVAÇÕES

POS	CODIGO	OBSERVAÇÕES
35	* 63157R0110	PARA: 63157
35	* 63158R0110	PARA: 63158
36	* 63157R0210	PARA: 63157
36	* 63158R0210	PARA: 63158