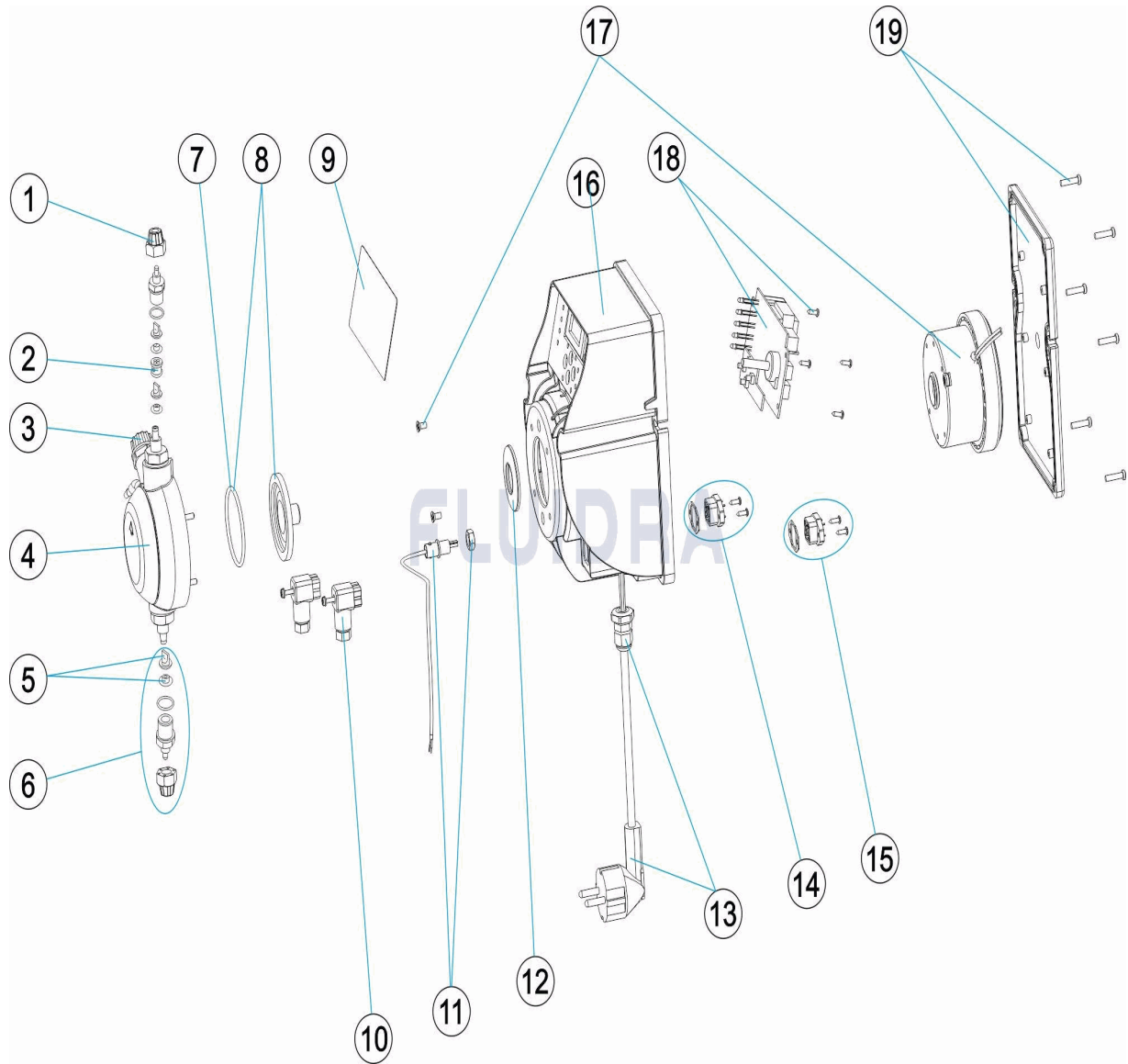


CODIGO **65987, 65988, 65989**

 DESCRIPCION: **BOMBA DOSIFICADORA CLASS PROPORCIONAL**

ESPAÑOL

POS	CODIGO	DESCRIPCION	CANTIDAD	POS	CODIGO	DESCRIPCION	CANTIDAD
1	CE08030126	TUERCA SUJECCION TUBO		10	CE08031729	CONECTOR DE NIVEL	
2	CE08033111	DISTANCIADOR PURGA AIRE		11	CE08032603	CONECTOR HEMBRA BNC EXACTUS 2009	
3	CE08032308	TAPON PURGA CABEZAL CP STD		12	* CE08030531	ARANDELA PISTON 5L 7KG	
4	CE08031205	CABEZAL COMPLETO		12	* CE08031121	ARANDELA PISTON 10L 5KG	
5	CE08030116	VALVULA VITON + SOPORTE		12	* CE08031122	ARANDELA PISTON 20L 5KG	
5	CE08030117	VALVULA SILICONA + SOPORTE		13	CE08033110	CABLE ALIMENTACION	
5	CE08030115	VALVULA DUTRAL + SOPORTE		14	CE08031405	CONECTOR MACHO	
6	CE08030113	CUERPO RACORD + VITON		15	CE08031217	CONECTOR	
6	CE08030114	CUERPO RACORD + SILICONA		16	CE08030064	CAJA BOMBA CLASS	
6	CE08030112	CUERPO RACORD + DUTRAL		17	* CE08030118	ELECTROIMAN COMPLETO 5L 7KG	
7	* CE08030111	JUNTA TORICA CABEZAL		17	* CE08030517	ELECTROIMAN 10L 5KG	
7	* CE08030413	JUNTA TORICA CABEZAL 20L 5KG		17	* CE08030065	ELECTROIMAN 20L 3KG	
8	* CE08030119	MEMBRANA COMPLETA		18	* CE08031308	CIRCUITO ELECTRONICO CC/M 230V.	

* NOTA OBSERVACIONES

CODIGO **65987, 65988, 65989**

DESCRIPCION: **BOMBA DOSIFICADORA CLASS PROPORCIONAL**

8	* CE08030429	MEMBRANA COMPLETA 20L 5KG	18	* CE08030066	CIRCUITO ELECTRONICO
9	CE08030061	CARATULA COMANDO	19	CE08030067	TAPA TRASERA BOMBA

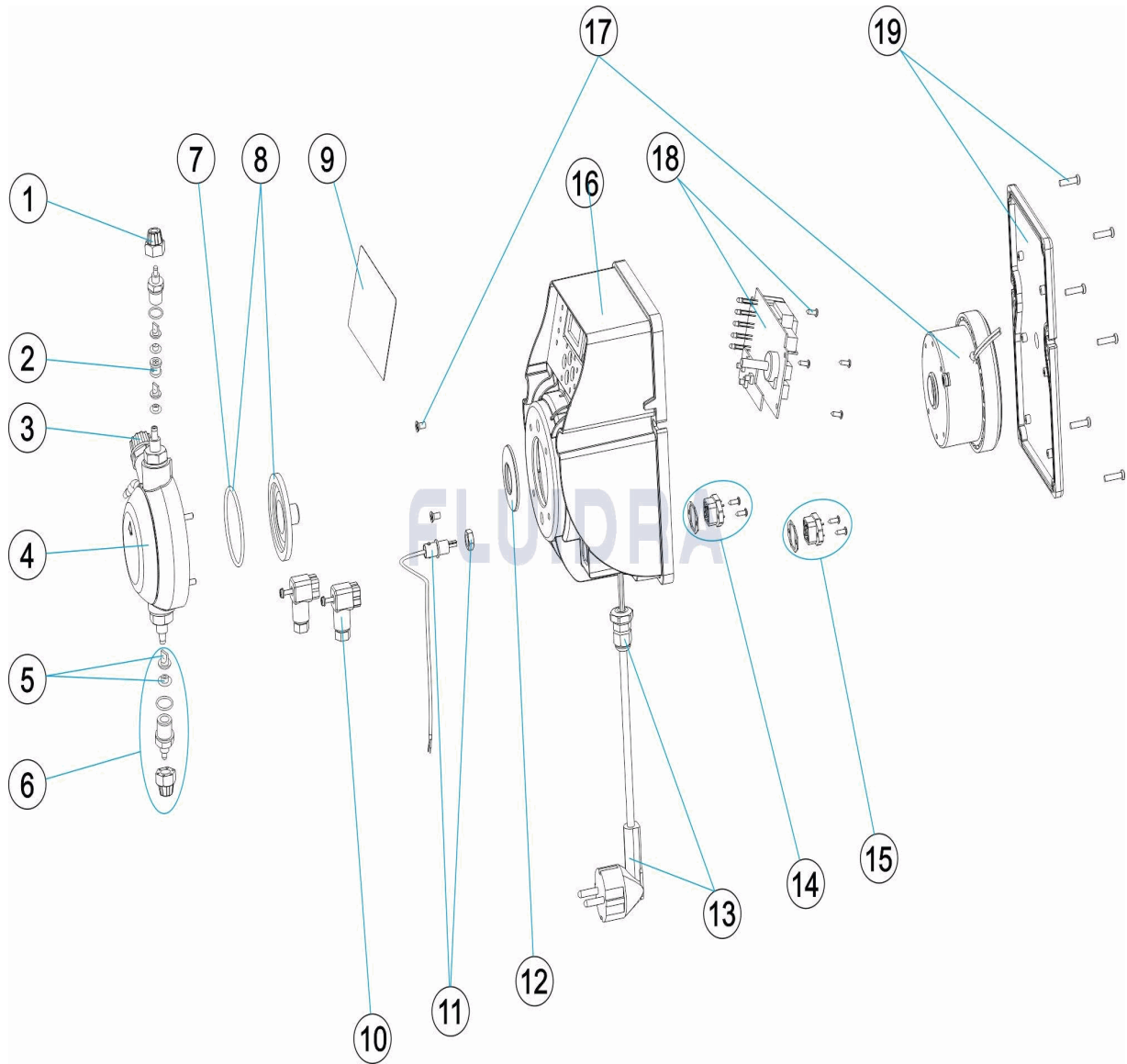
CODIGO **65987, 65988, 65989**

DESCRIPCION: **BOMBA DOSIFICADORA CLASS PROPORCIONAL**

OBSERVACIONES

POS	CODIGO	OBSERVACIONES
7	*CE08030111	PARA: 65987, 65988
7	*CE08030413	PARA: 65989
8	*CE08030119	PARA: 65987, 65988
8	*CE08030429	PARA: 65989
12	*CE08030531	PARA: 65987
12	*CE08031121	PARA: 65988
12	*CE08031122	PARA: 65989
17	*CE08030118	PARA: 65987
17	*CE08030517	PARA: 65988
17	*CE08030065	PARA: 65989
18	*CE08031308	PARA: 65987, 65988
18	*CE08030066	PARA: 65989

CODE **65987, 65988, 65989**

 DESCRIPTION: **POMPE DOSEUSE CLASS PROPORTIONNELLE**

FRANCAIS

POS	CODE	DESCRIPTION	QUANTITE	POS	CODE	DESCRIPTION	QUANTITE
1	CE08030126	ECROU DE TUBE D'ASPIRATION		10	CE08031729	CONNECTEUR DE NIVEAU	
2	CE08033111	DISTANCIALE DE PURGE		11	CE08032603	CONNEXION FEMELLE BCN EXACTUS 200€	
3	CE08032308	BOUCHON PURGE		12	* CE08030531	RONDELLE PISTON 5L 7KG	
4	CE08031205	TETE COMPLET		12	* CE08031121	RONDELLE PISTON 10L 5KG	
5	CE08030116	CLAPET VITON + SUPPORT		12	* CE08031122	RONDELLE PISTON 20L 5KG	
5	CE08030117	CLAPET SILICONA + SUPPORT		13	CE08033110	CABLE ALIMENTATION	
5	CE08030115	CLAPET DUTRAL + SUPPORT		14	CE08031405	CONNECTEUR MÂLE	
6	CE08030113	CORPS RACCORD + CLAPET VITON		15	CE08031217	CONNECTEUR	
6	CE08030114	CORPS RACCORD + CLAPET SILICONE		16	CE08030064	CARCASSE POMPE CLASS	
6	CE08030112	CORPS RACCORD + CLAPET DUTRAL		17	* CE08030118	ELECTROAIMANT COMPLETO 5L 7KG	
7	* CE08030111	JOINT TORIQUE TETE		17	* CE08030517	ELECTROAIMANT 10L 5KG	
7	* CE08030413	JOINT TORIQUE TETE 20L 5KG		17	* CE08030065	ELECTROAIMANT 20L 3KG	
8	* CE08030119	MEMBRANE COMPLETE		18	* CE08031308	CIRCUIT ELECTRONIQUE CC/M. 230V.	

* VOIR FICHE D'OBSERVATIONS

CODE **65987, 65988, 65989**

DESCRIPTION: **POMPE DOSEUSE CLASS PROPORTIONNELLE**

8	* CE08030429	MEMBRANE COMPLETE 20L 5KG	18	* CE08030066	CIRCUIT ELECTRONIQUE CC/M. 230V.
9	CE08030061	BOÎTIER COMMANDES	19	CE08030067	COUVERCLE POMPE

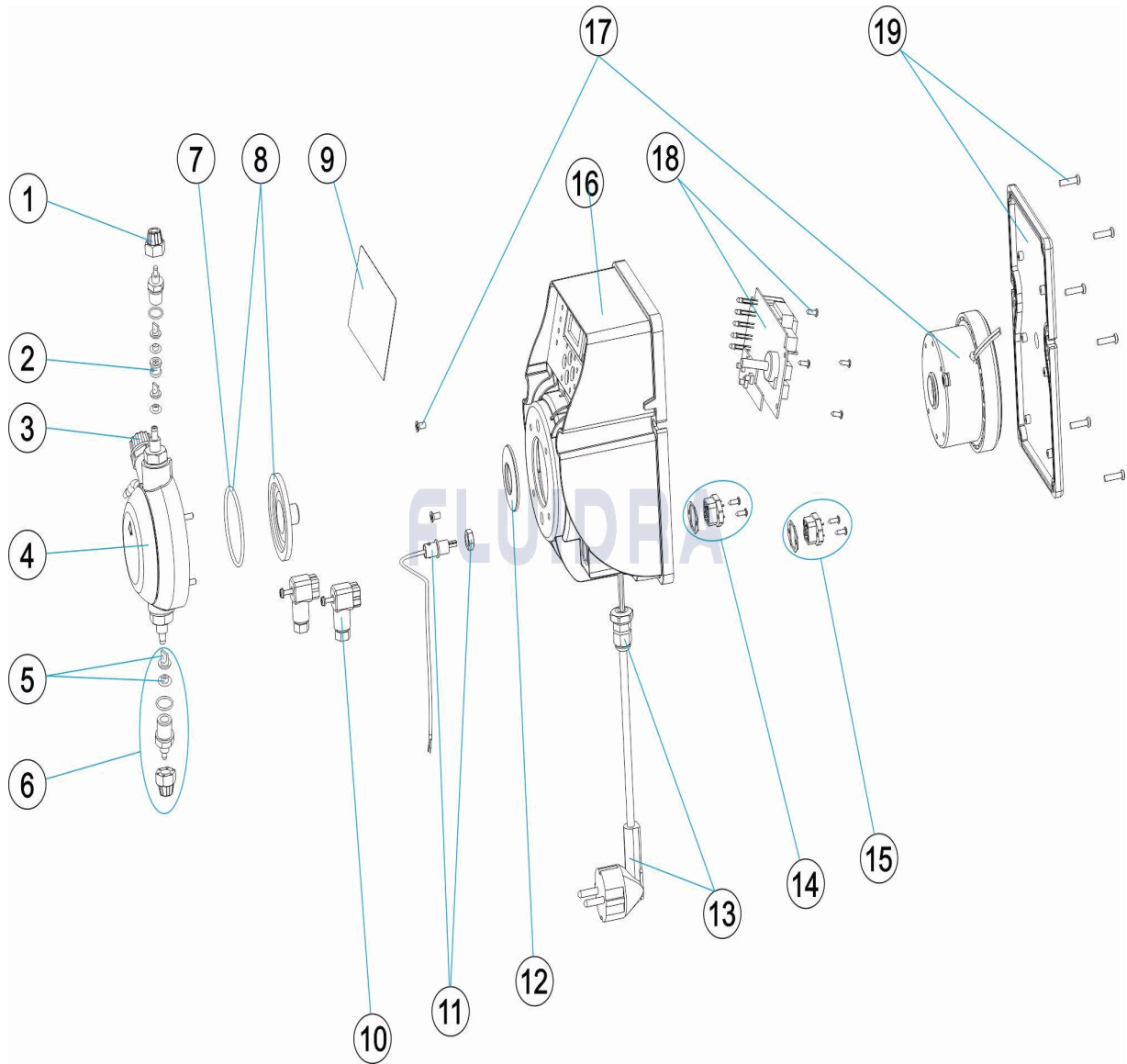
CODE **65987, 65988, 65989**

DESCRIPTION: **POMPE DOSEUSE CLASS PROPORTIONNELLE**

OBSERVATIONS

POS	CODE	OBSERVATIONS
7	*CE08030111	POUR: 65987, 65988
7	*CE08030413	POUR: 65989
8	*CE08030119	POUR: 65987, 65988
8	*CE08030429	POUR: 65989
12	*CE08030531	POUR: 65987
12	*CE08031121	POUR: 65988
12	*CE08031122	POUR: 65989
17	*CE08030118	POUR: 65987
17	*CE08030517	POUR: 65988
17	*CE08030065	POUR: 65989
18	*CE08031308	POUR: 65987, 65988
18	*CE08030066	POUR: 65989

CODE **65987, 65988, 65989**

 DESCRIPTION: **PROPORTIONAL CLASS DOSING PUMP**

ENGLISH

POS	CODE	DESCRIPTION	QUANTITY	POS	CODE	DESCRIPTION	QUANTITY
1	CE08030126	SUCTION TUBE NUT		10	CE08031729	FEMALE CONNECTOR BCN	
2	CE08033111	DISTANCIALE FOR BLEEDING		11	CE08032603	FEMALE CONNECTOR BCN EXACTUS 2009	
3	CE08032308	DRAIN PLUG		12	* CE08030531	PISTON WASHER 5L 7KG	
4	CE08031205	COMPLETE HEAD ASSEMBLY		12	* CE08031121	PISTON WASHER 10L 5KG	
5	CE08030116	VITON VALVE + SUPPORT		12	* CE08031122	PISTON WASHER 20L 5KG	
5	CE08030117	SILICON VALVE + SUPPORT		13	CE08033110	SUPPLY CABLE	
5	CE08030115	DUTRAL VALVE + SUPPORT		14	CE08031405	MALE CONNECTOR	
6	CE08030113	HEAD CONNECTOR BODY + VITON		15	CE08031217	CONNECTOR	
6	CE08030114	HEAD CONNECTOR BODY + SILICON		16	CE08030064	PUMP BOX CLASS	
6	CE08030112	HEAD CONNECTOR BODY + DUTRAL		17	* CE08030118	ELECTROMAGNET ASSEMBLY COMPLETE	
7	* CE08030111	HEAD O RING		17	* CE08030517	ELECTROMAGNET 10L 5KG	
7	* CE08030413	HEAD O RING 20L 5KG		17	* CE08030065	ELECTROMAGNET 20L 3KG	
8	* CE08030119	DIAPHRAM COMPLETE		18	* CE08031308	ELECTRONIC CIRCUIT CC/M. 230V.	

* SEE OBSERVATIONS SHEET



PARTS BREAKDOWN

REV.: 2
DATE: 04/04/2023
SHEET: 2/3

1137

CODE **65987, 65988, 65989**

DESCRIPTION: **PROPORTIONAL CLASS DOSING PUMP**

8	* CE08030429	DIAPHRAM COMPLETE 20L 5KG	18	* CE08030066	ELECTRONIC CIRCUIT CC/M. 230V.
9	CE08030061	CONTROL FACEPLATE	19	CE08030067	PUMP REAR COVER



PARTS BREAKDOWN

REV.: 2
DATE: 04/04/2023
SHEET: 3/3

1137

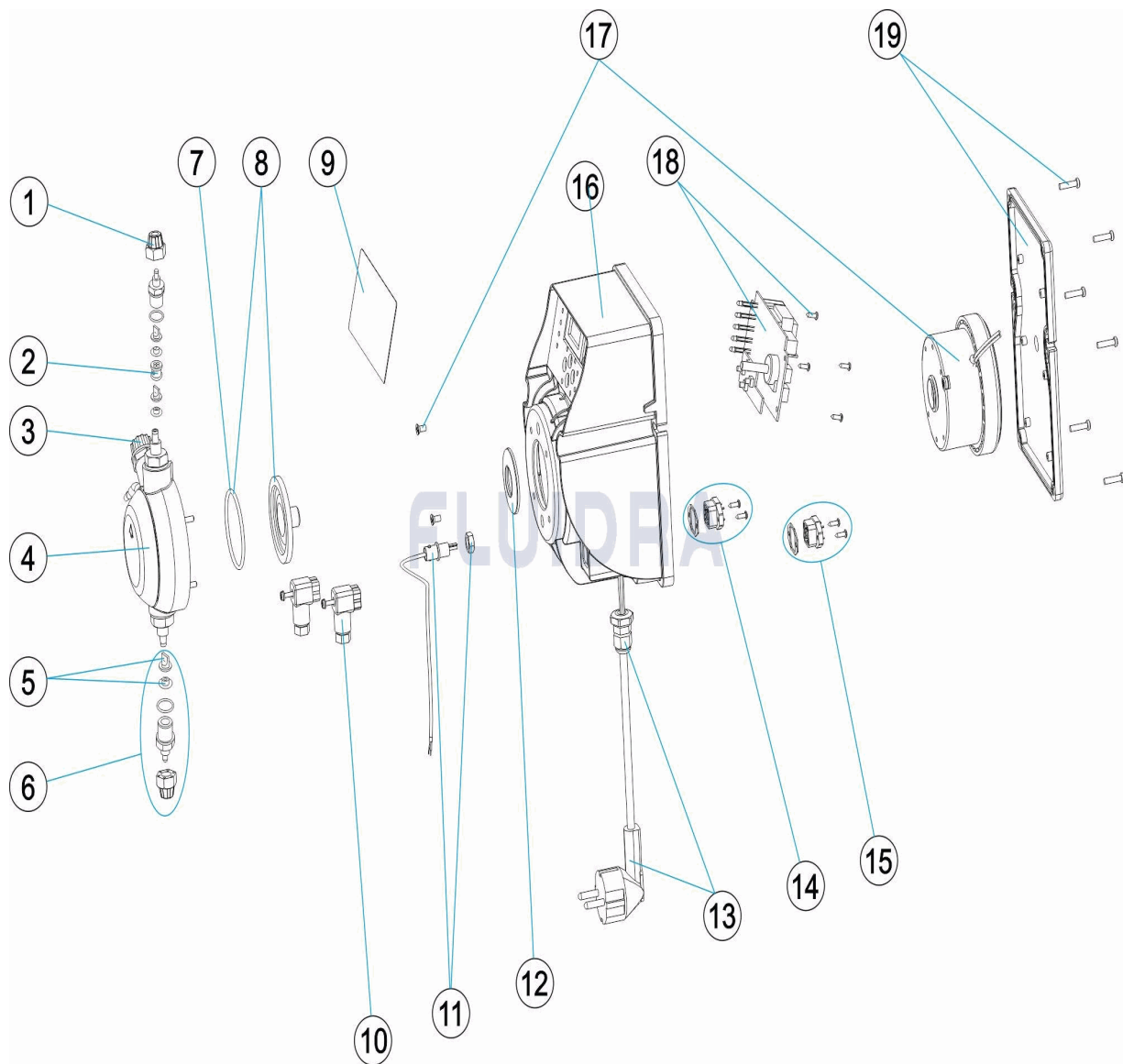
CODE **65987, 65988, 65989**

DESCRIPTION: **PROPORTIONAL CLASS DOSING PUMP**

OBSERVATIONS

POS	CODE	OBSERVATIONS
7	*CE08030111	FOR: 65987, 65988
7	*CE08030413	FOR: 65989
8	*CE08030119	FOR: 65987, 65988
8	*CE08030429	FOR: 65989
12	*CE08030531	FOR: 65987
12	*CE08031121	FOR: 65988
12	*CE08031122	FOR: 65989
17	*CE08030118	FOR: 65987
17	*CE08030517	FOR: 65988
17	*CE08030065	FOR: 65989
18	*CE08031308	FOR: 65987, 65988
18	*CE08030066	FOR: 65989

CODICE **65987, 65988, 65989**

 DESCRIZIONE: **POMPA DOSIFICATRICE CLASS PROPORZIONALE**

ITALIANO

POS	CODICE	DESCRIZIONE	QUANTITA'	POS	CODICE	DESCRIZIONE	QUANTITA'
1	CE08030126	GHIERA FISSAGGIO TUBO		10	CE08031729	CONNETTORE DI LIVELLO	
2	CE08033111	DISTANCIALE PER SPURGO		11	CE08032603	CONNETTORE FEMMINA BCN EXACTUS 20	
3	CE08032308	TAPPO SPURGO		12	* CE08030531	RONDELLA PISTONE 5L 7KG	
4	CE08031205	TESTA COMPLETA		12	* CE08031121	RONDELLA PISTONE 10L 5KG	
5	CE08030116	VALVOLA + SUPPORTO		12	* CE08031122	RONDELLA PISTONE 20L 5KG	
5	CE08030117	VALVOLA SILICONE + SUPPORTO		13	CE08033110	CAVO DI ALIMENTAZIONE	
5	CE08030115	VALVOLA DUTRAL + SUPPORTO		14	CE08031405	CONNETTORE MASCHIO	
6	CE08030113	CORPO RACCORDO + VALVOLA IN VITON		15	CE08031217	CONNETTORE	
6	CE08030114	CORPO RACCORDO + VALVOLA IN SILICOI		16	CE08030064	CASSA POMPA CLASS	
6	CE08030112	CORPO RACCORDO + VALVOLA IN DUTRA		17	* CE08030118	ELETTROCALAMITA COMPLETA 5L 7KG	
7	* CE08030111	O-RING PER TESTA		17	* CE08030517	ELETTROCALAMITA 10L 5KG	
7	* CE08030413	O-RING TESTA 20L 5KG		17	* CE08030065	ELETTROCALAMITA 20L 3KG	
8	* CE08030119	MEMBRANA COMPLETA		18	* CE08031308	CIRCUITO ELETTRONICO CC/M. 230V	

*** SI FACCIA RIFERIMENTO AL FOGLIO DELLE OSSERVAZIONI**

CODICE **65987, 65988, 65989**

DESCRIZIONE: **POMPA DOSIFICATRICE CLASS PROPORZIONALE**

8	* CE08030429	MEMBRANA COMPLETA 20L 5KG	18	* CE08030066	CIRCUITO ELETTRONICO CC/M. 230V
9	CE08030061	PANNELLO COMANDO	19	CE08030067	COPRIVENTOLA POMPA

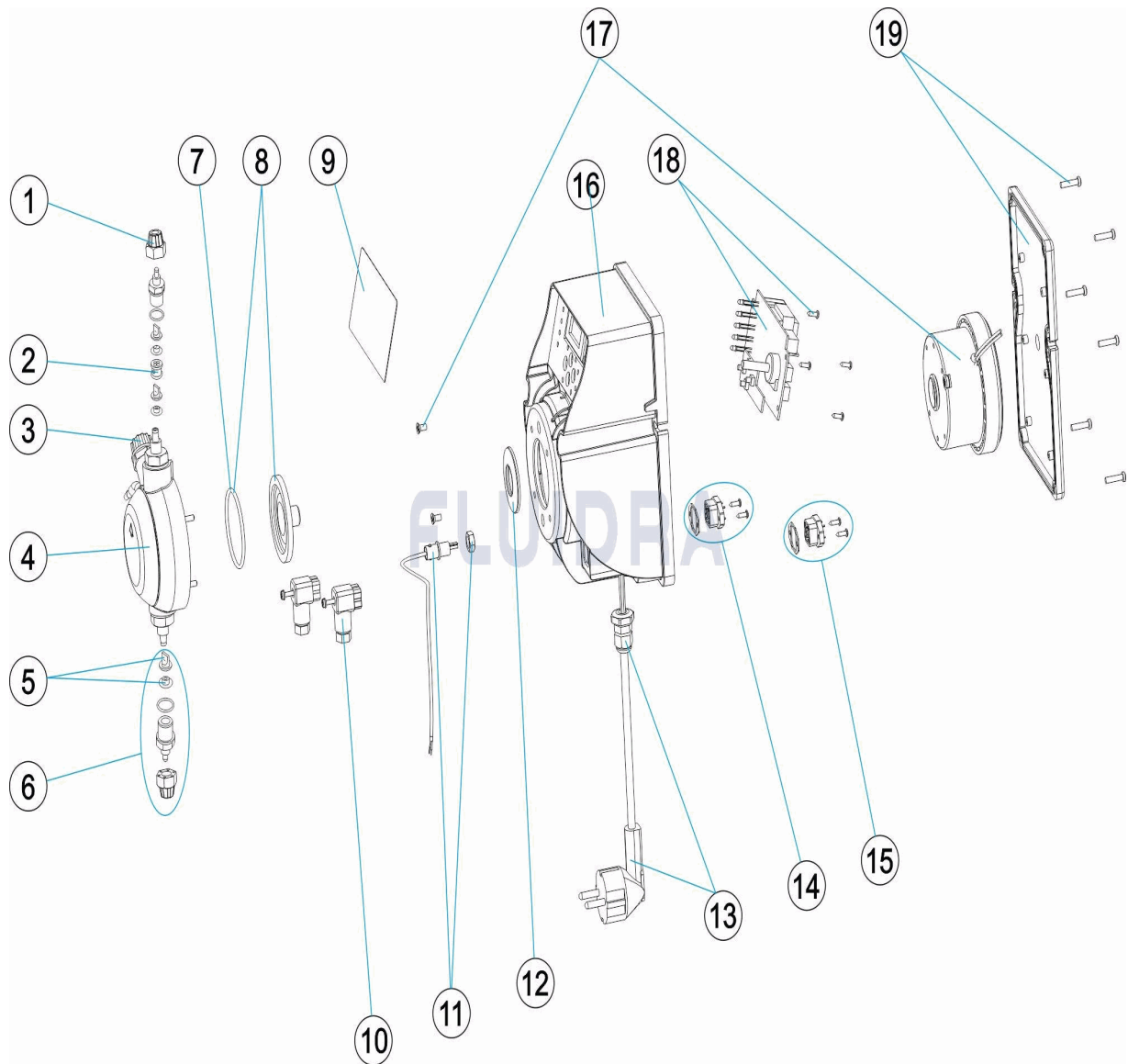
CODICE **65987, 65988, 65989**

DESCRIZIONE: **POMPA DOSIFICATRICE CLASS PROPORZIONALE**

OSSERVAZIONI

POS	CODICE	OSSERVAZIONI
7	*CE08030111	PER: 65987, 65988
7	*CE08030413	PER: 65989
8	*CE08030119	PER: 65987, 65988
8	*CE08030429	PER: 65989
12	*CE08030531	PER: 65987
12	*CE08031121	PER: 65988
12	*CE08031122	PER: 65989
17	*CE08030118	PER: 65987
17	*CE08030517	PER: 65988
17	*CE08030065	PER: 65989
18	*CE08031308	PER: 65987, 65988
18	*CE08030066	PER: 65989

CODE **65987, 65988, 65989**

 BESCHREIBUNG: **DOSIERPUMPE CLASS PROPORTIONAL**

DEUTSCH

POS	CODE	BESCHREIBUNG	MENGE	POS	CODE	BESCHREIBUNG	MENGE
1	CE08030126	MUTTER BEFESTIGUNG ROHR		10	CE08031729	VERBINDUNGSTÜCK FÜLLSTAND	
2	CE08033111	DISTANZSTÜCK ENTLÜFTUNG		11	CE08032603	ANSCHLUSSMUFFE BNC EXACTUS 2009	
3	CE08032308	ABLASSSTOPFEN KOPFSTÜCK CP STD		12	* CE08030531	KOLBENSCHIBE 5 L 7 KG	
4	CE08031205	KOPFSTÜCK KOMPLETT		12	* CE08031121	KOLBENSCHIBE 10 L 5 KG	
5	CE08030116	VENTIL VITON MIT HALTERUNG		12	* CE08031122	KOLBENSCHIBE 20 L 5 KG	
5	CE08030117	VENTIL SILIKON MIT HALTERUNG		13	CE08033110	VERSORUNGSKABEL	
5	CE08030115	VENTIL DUTRAL MIT HALTERUNG		14	CE08031405	STECKER	
6	CE08030113	VENTILSATZ MIT VITON		15	CE08031217	STECKKUPPLUNG	
6	CE08030114	VENTILSATZ MIT SILIKON		16	CE08030064	PUMPENGEHÄUSE CLASS	
6	CE08030112	VENTILSATZ MIT DUTRAL		17	* CE08030118	ELEKTROMAGNET KOMPLETT 5 L 7 KG	
7	* CE08030111	O-RING KOPFSTÜCK		17	* CE08030517	ELEKTROMAGNET 10 L 5 KG	
7	* CE08030413	O-RING KOPFSTÜCK 20 L 5 KG		17	* CE08030065	ELEKTROMAGNET 20L 3KG	
8	* CE08030119	KOMPLETTMEMBERAN		18	* CE08031308	PLATINE SCHALTREIS CC/M 230 V	

* SIEHE ANMERKUNGSBLATT

CODE **65987, 65988, 65989**BESCHREIBUNG: **DOSIERPUMPE CLASS PROPORTIONAL**

8	* CE08030429	KOMPLETTMEMBERAN 20 L 5 KG	18	* CE08030066	PLATINE SCHALTKREIS CC/M 230 V
9	CE08030061	BEDIENFELD STEUERUNG	19	CE08030067	ABDECKUNG HINTEN PUMPE

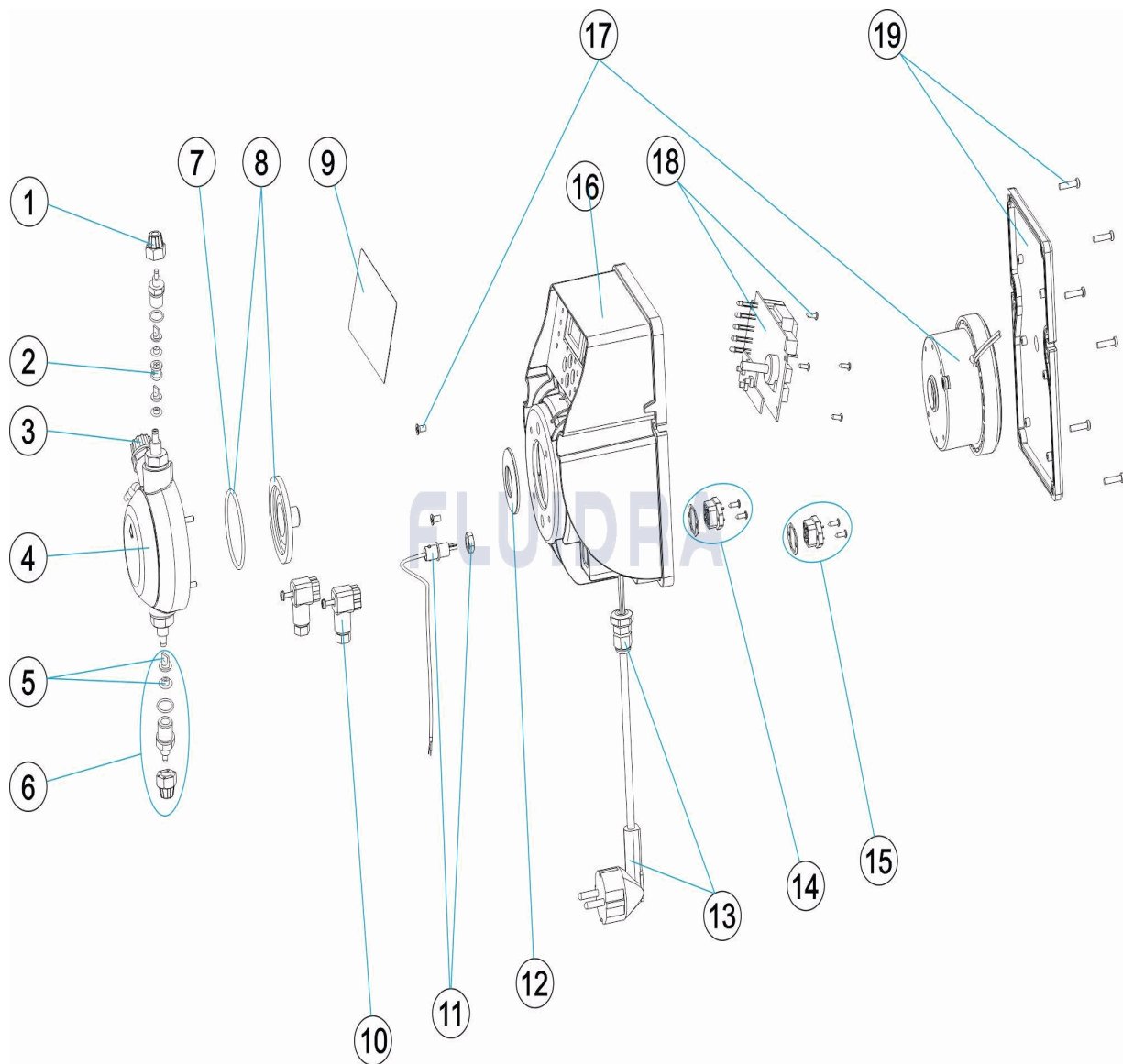
CODE **65987, 65988, 65989**

BESCHREIBUNG: **DOSIERPUMPE CLASS PROPORTIONAL**

HINWEISE

POS	CODE	HINWEISE
7	*CE08030111	FÜR: 65987, 65988
7	*CE08030413	FÜR: 65989
8	*CE08030119	FÜR: 65987, 65988
8	*CE08030429	FÜR: 65989
12	*CE08030531	FÜR: 65987
12	*CE08031121	FÜR: 65988
12	*CE08031122	FÜR: 65989
17	*CE08030118	FÜR: 65987
17	*CE08030517	FÜR: 65988
17	*CE08030065	FÜR: 65989
18	*CE08031308	FÜR: 65987, 65988
18	*CE08030066	FÜR: 65989

CODIGO **65987, 65988, 65989**

 DESCRIÇÃO: **BOMBA DOSEADORA CLASS PROPORCIONAL**

PORTUGUES

POS	CODIGO	DESCRIÇÃO	JANTIDADE	POS	CODIGO	DESCRIÇÃO	JANTIDADE
1	CE08030126	PORCA SUJEIÇÃO TUBO		10	CE08031729	LIGAÇÃO NIVEL	
2	CE08033111	DISTANCIADOR DO PURGE		11	CE08032603	LIGAÇÃO FÊMEA BCN. EXACTUS 2009	
3	CE08032308	TAMPÃO PURGA		12	* CE08030531	ANILHA PISTON 5L 7KG	
4	CE08031205	CABEÇAL COMPLETO		12	* CE08031121	ANILHA PISTON 10L 5KG	
5	CE08030116	VÁLVULA VITON + SUPORTE		12	* CE08031122	ANILHA PISTON 20L 5KG	
5	CE08030117	VÁLVULA SILICONE + SUPORTE		13	CE08033110	CABO ALIMENTAÇÃO	
5	CE08030115	VÁLVULA DUTRAL + SUPORTE		14	CE08031405	LIGAÇÃO MACHO	
6	CE08030113	CORPO RACORD + VITON		15	CE08031217	LIGAÇÃO	
6	CE08030114	CORPO RACORD + SILICONE		16	CE08030064	CAIXA BOMBA CLASS	
6	CE08030112	CORPO RACORD + DUTRAL		17	* CE08030118	ELECTROIMAN COMPLETO 5L 7KG	
7	* CE08030111	JUNTA TORICA CABEÇAL		17	* CE08030517	ELECTROIMAN 10L 5KG	
7	* CE08030413	JUNTA TORICA CABEÇAL 20L 5KG		17	* CE08030065	ELECTROIMAN 20L 3KG	
8	* CE08030119	MEMBRANA COMPLETA		18	* CE08031308	CIRCUITO ELECTRONICO CC/M. 230V.	

* VEJA A FICHA DE OBSERVAÇÕES

CODIGO **65987, 65988, 65989**

DESCRIÇÃO: **BOMBA DOSEADORA CLASS PROPORCIONAL**

8	* CE08030429	MEMBRANA COMPLETA 20L 5KG	18	* CE08030066	CIRCUITO ELECTRONICO CC/M. 230V.
9	CE08030061	PAINEL COMANDO	19	CE08030067	TAMPA TRASEIRA BOMBA

CODIGO **65987, 65988, 65989**

DESCRIÇÃO: BOMBA DOSEADORA CLASS PROPORCIONAL

OBSERVAÇÕES

POS	CODIGO	OBSERVAÇÕES
7	*CE08030111	PARA: 65987, 65988
7	*CE08030413	PARA: 65989
8	*CE08030119	PARA: 65987, 65988
8	*CE08030429	PARA: 65989
12	*CE08030531	PARA: 65987
12	*CE08031121	PARA: 65988
12	*CE08031122	PARA: 65989
17	*CE08030118	PARA: 65987
17	*CE08030517	PARA: 65988
17	*CE08030065	PARA: 65989
18	*CE08031308	PARA: 65987, 65988
18	*CE08030066	PARA: 65989