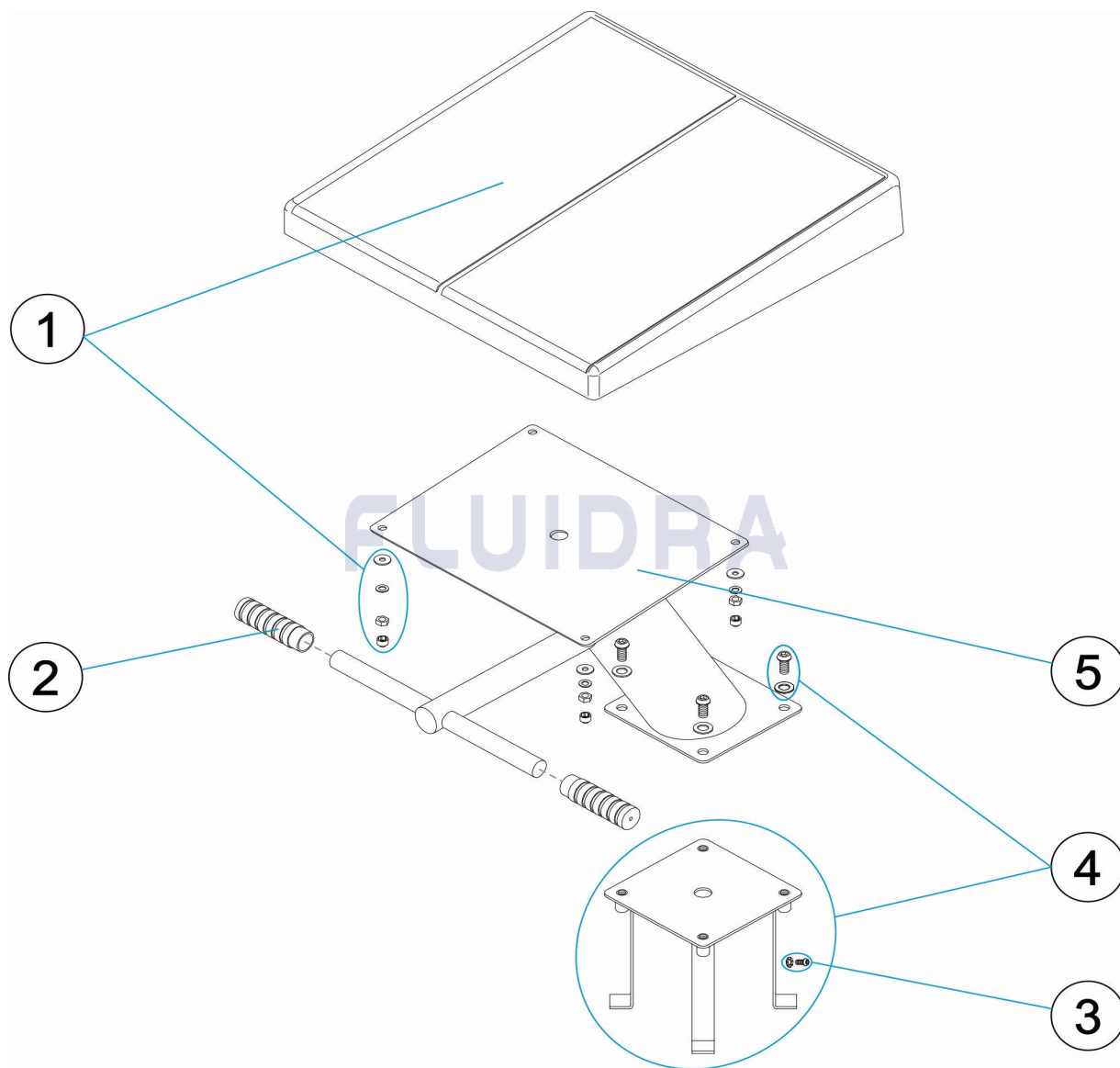


CODIGO **20754**

DESCRIPCION: **PODIUM SHORT**

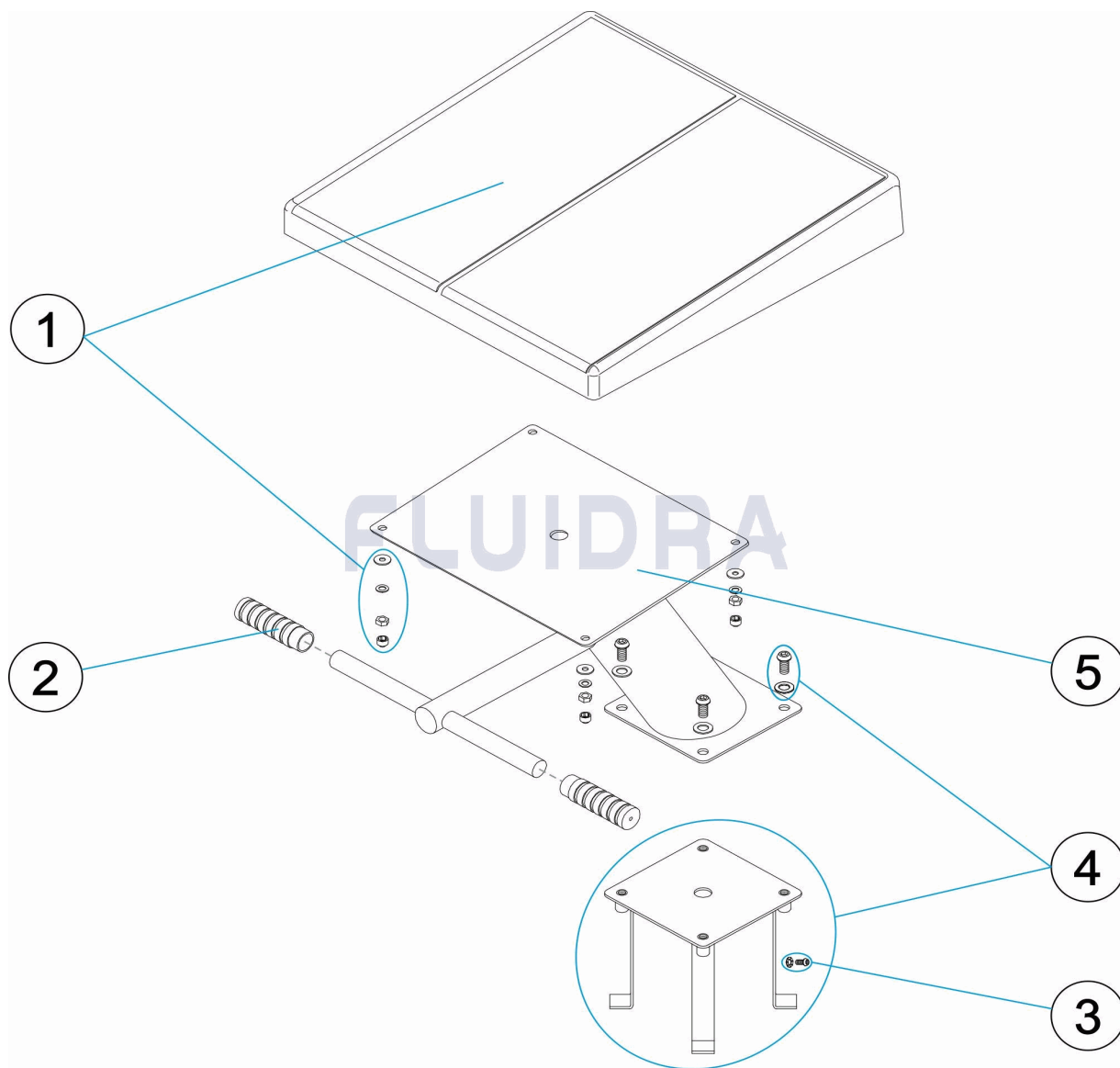


**ESPAÑOL**

| POS | CODIGO     | DESCRIPCION              | CANTIDAD | POS | CODIGO     | DESCRIPCION             | CANTIDAD |
|-----|------------|--------------------------|----------|-----|------------|-------------------------|----------|
| 1   | 4401060008 | PLATAFORMA PODIUM        |          | 4   | 4401060009 | ANCLAJE PODIUM          |          |
| 2   | 4406030502 | EMPUÑADURA MANGO         |          | 5   | 20754R0100 | ESTRUCTURA PODIUM SHORT |          |
| 3   | 4403010083 | TOMA DE TIERRA PROYECTOR |          |     |            |                         |          |

CODE 20754

DESCRIPTION: PLOT SHORT

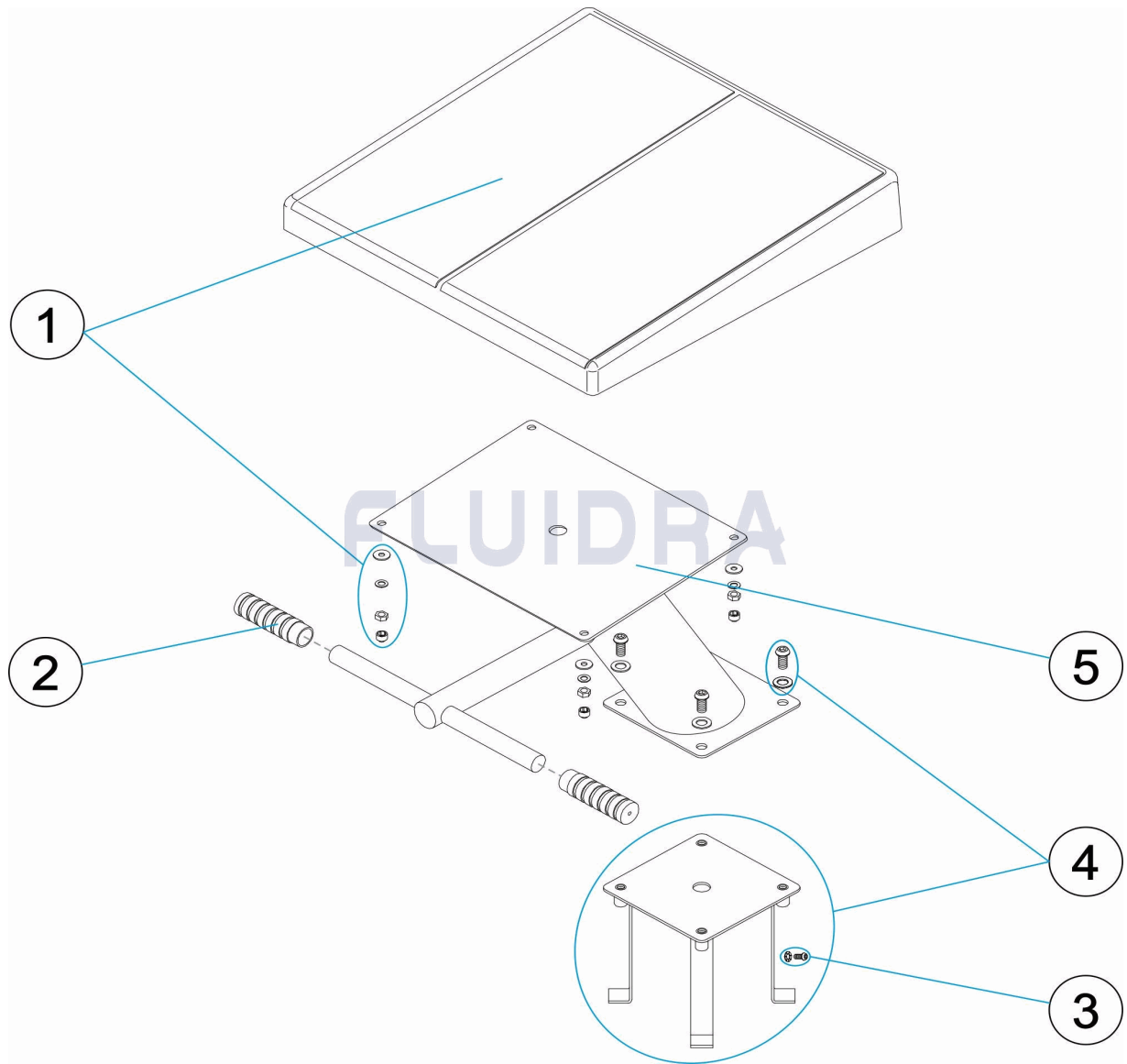


FRANCAIS

| POS | CODE       | DESCRIPTION       | QUANTITE | POS | CODE       | DESCRIPTION            | QUANTITE |
|-----|------------|-------------------|----------|-----|------------|------------------------|----------|
| 1   | 4401060008 | PLATE-FORME       |          | 4   | 4401060009 | ANCRAGE PLOT DE DEPART |          |
| 2   | 4406030502 | POIGNEE DE MANCHE |          | 5   | 20754R0100 | SOCLE SHORT            |          |
| 3   | 4403010083 | PRISE DE TERRE    |          |     |            |                        |          |

CODE **20754**

DESCRIPTION: **SHORT STARTING**

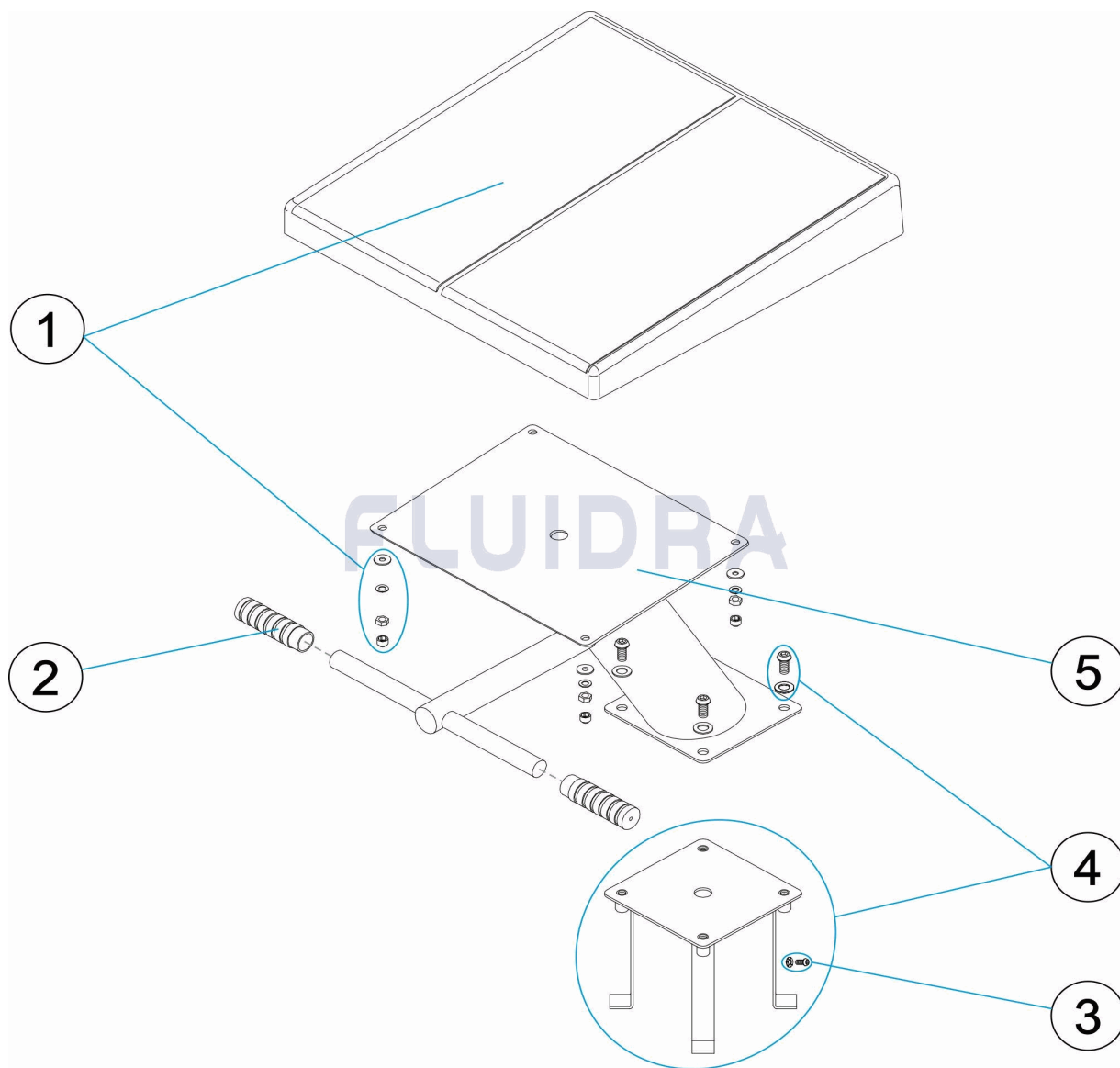


**ENGLISH**

| POS | CODE       | DESCRIPTION            | QUANTITY | POS | CODE       | DESCRIPTION            | QUANTITY |
|-----|------------|------------------------|----------|-----|------------|------------------------|----------|
| 1   | 4401060008 | BLOCK PLATFORM         |          | 4   | 4401060009 | ANCHOR                 |          |
| 2   | 4406030502 | HANDLE GRIP            |          | 5   | 20754R0100 | PODIUM STRUCTURE SHORT |          |
| 3   | 4403010083 | LIGHT EARTH CONNECTION |          |     |            |                        |          |

CODICE **20754**

DESCRIZIONE: **PODIO SHORT**

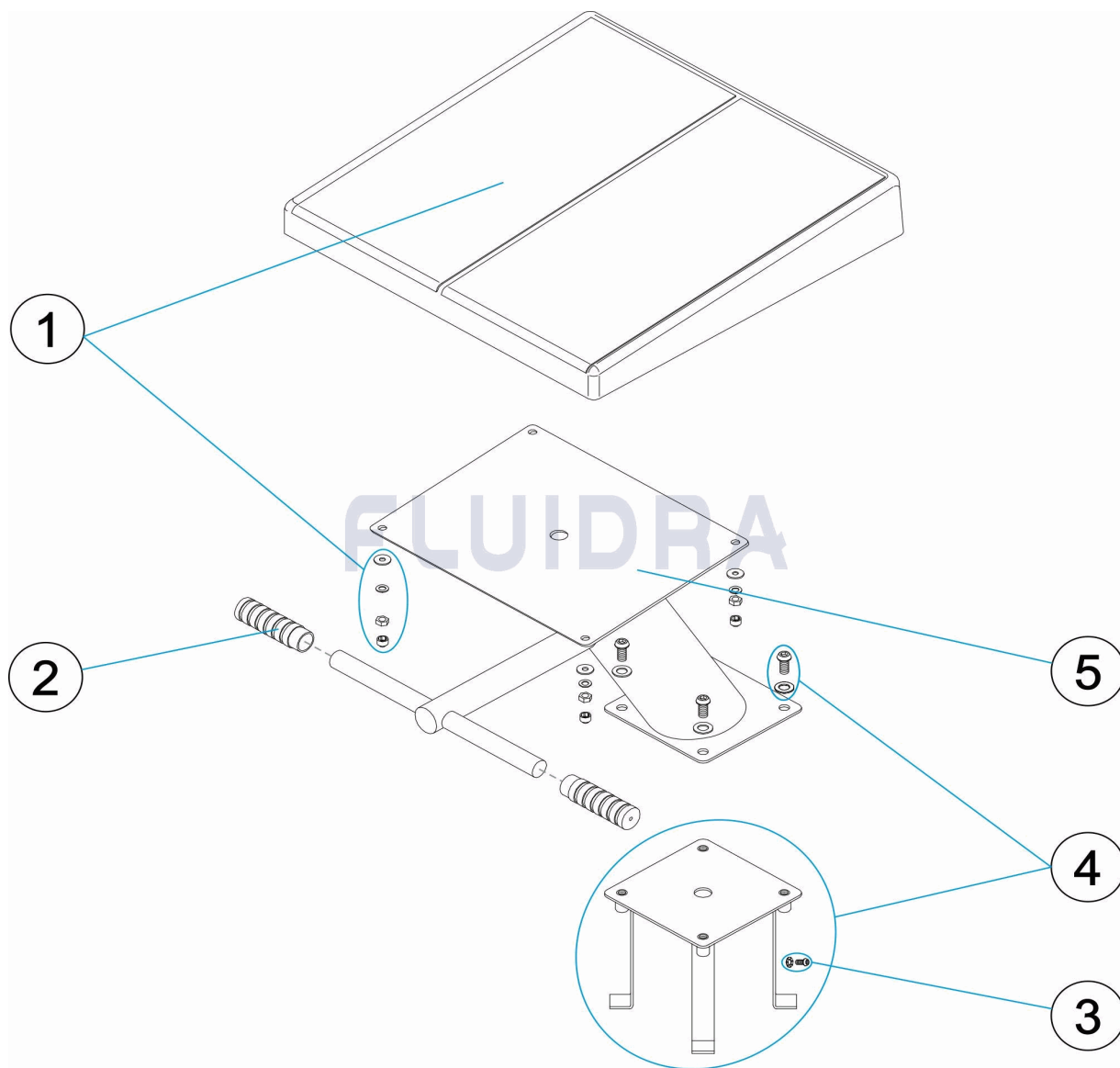


**ITALIANO**

| POS | CODICE     | DESCRIZIONE                        | QUANTITA' | POS | CODICE     | DESCRIZIONE           | QUANTITA' |
|-----|------------|------------------------------------|-----------|-----|------------|-----------------------|-----------|
| 1   | 4401060008 | PIATTAFORMA                        |           | 4   | 4401060009 | ANCORAGGIO            |           |
| 2   | 4406030502 | IMPUGNATURA MANICO                 |           | 5   | 20754R0100 | STRUTTURA PODIO SHORT |           |
| 3   | 4403010083 | ATTACCO PER CIRCUITO EQUIPOTENZIAL |           |     |            |                       |           |

CODE **20754**

BESCHREIBUNG: **STARTBOCK SHORT**

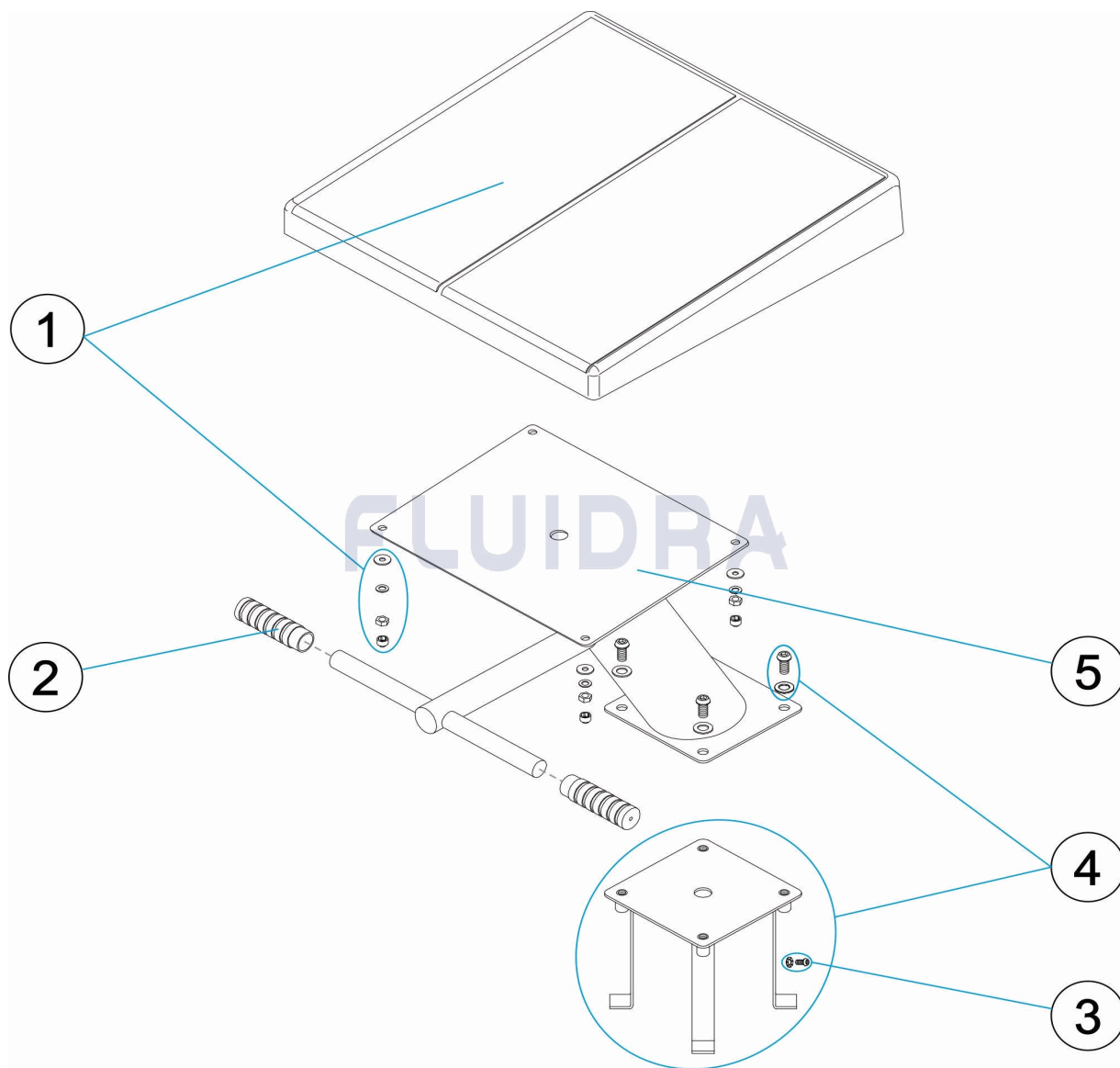


**DEUTSCH**

| POS | CODE       | BESCHREIBUNG        | MENGE | POS | CODE       | BESCHREIBUNG             | MENGE |
|-----|------------|---------------------|-------|-----|------------|--------------------------|-------|
| 1   | 4401060008 | PLATTFORM STARTBOCK |       | 4   | 4401060009 | VERANKERUNG STARTBOCK    |       |
| 2   | 4406030502 | GRIFF               |       | 5   | 20754R0100 | STRUKTUR STARTBOCK SHORT |       |
| 3   | 4403010083 | ERDUNG UWS          |       |     |            |                          |       |

CODIGO **20754**

DESCRIÇÃO: **PÓDIO SHORT**



**PORTUGUES**

| POS | CODIGO     | DESCRIÇÃO                 | JANTIDADE | POS | CODIGO     | DESCRIÇÃO              | JANTIDADE |
|-----|------------|---------------------------|-----------|-----|------------|------------------------|-----------|
| 1   | 4401060008 | PLATAFORMA PODIUM         |           | 4   | 4401060009 | ÂNCORA PODIUM          |           |
| 2   | 4406030502 | PUNHO CABOS 2,4-4,8       |           | 5   | 20754R0100 | ESTRUTURA PODIUM SHORT |           |
| 3   | 4403010083 | TOMADA DE TERRA PROJECTOR |           |     |            |                        |           |