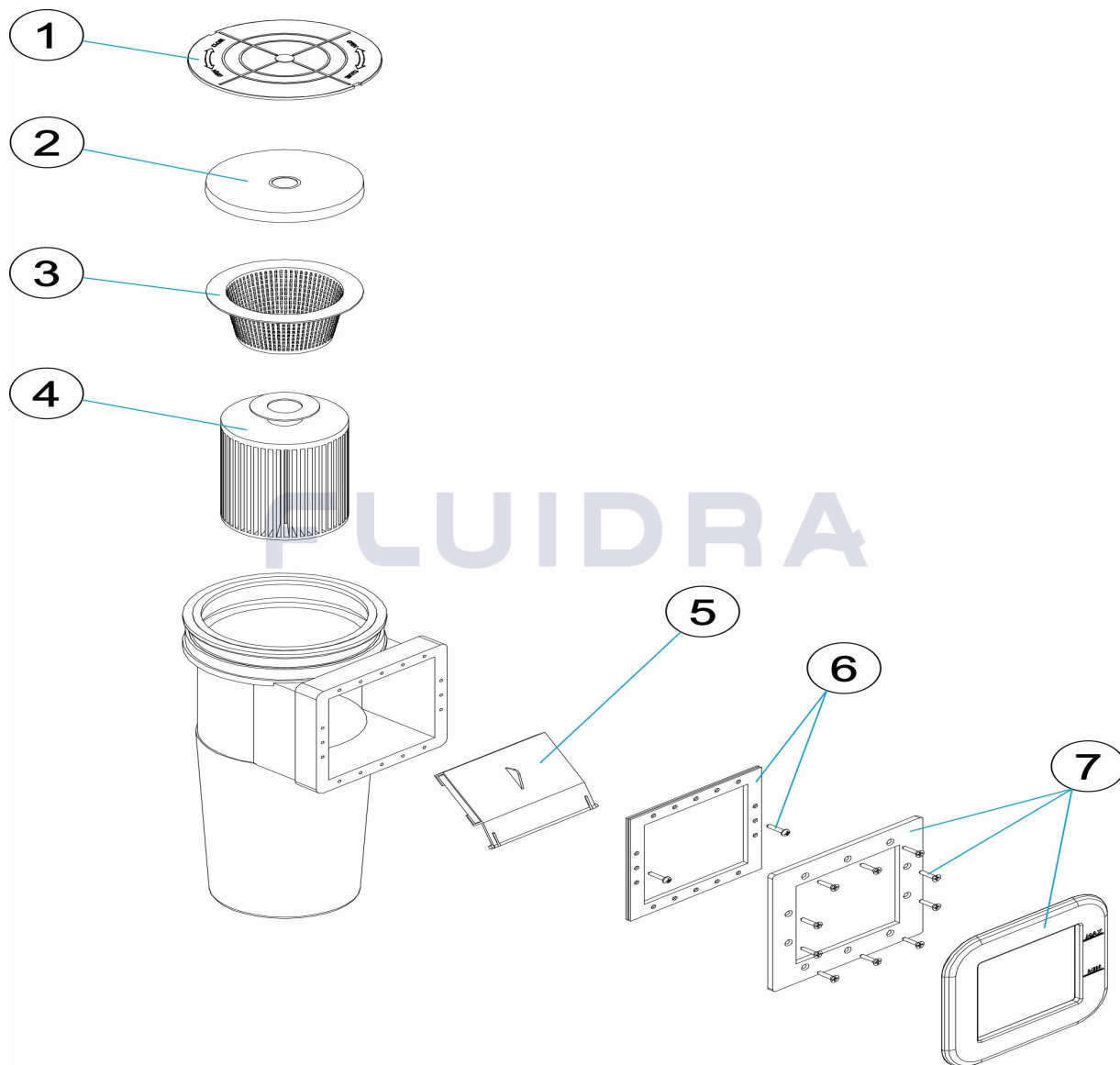


CODIGO **11139BP202**

DESCRIPCION: **SKIMMER PLAYA**

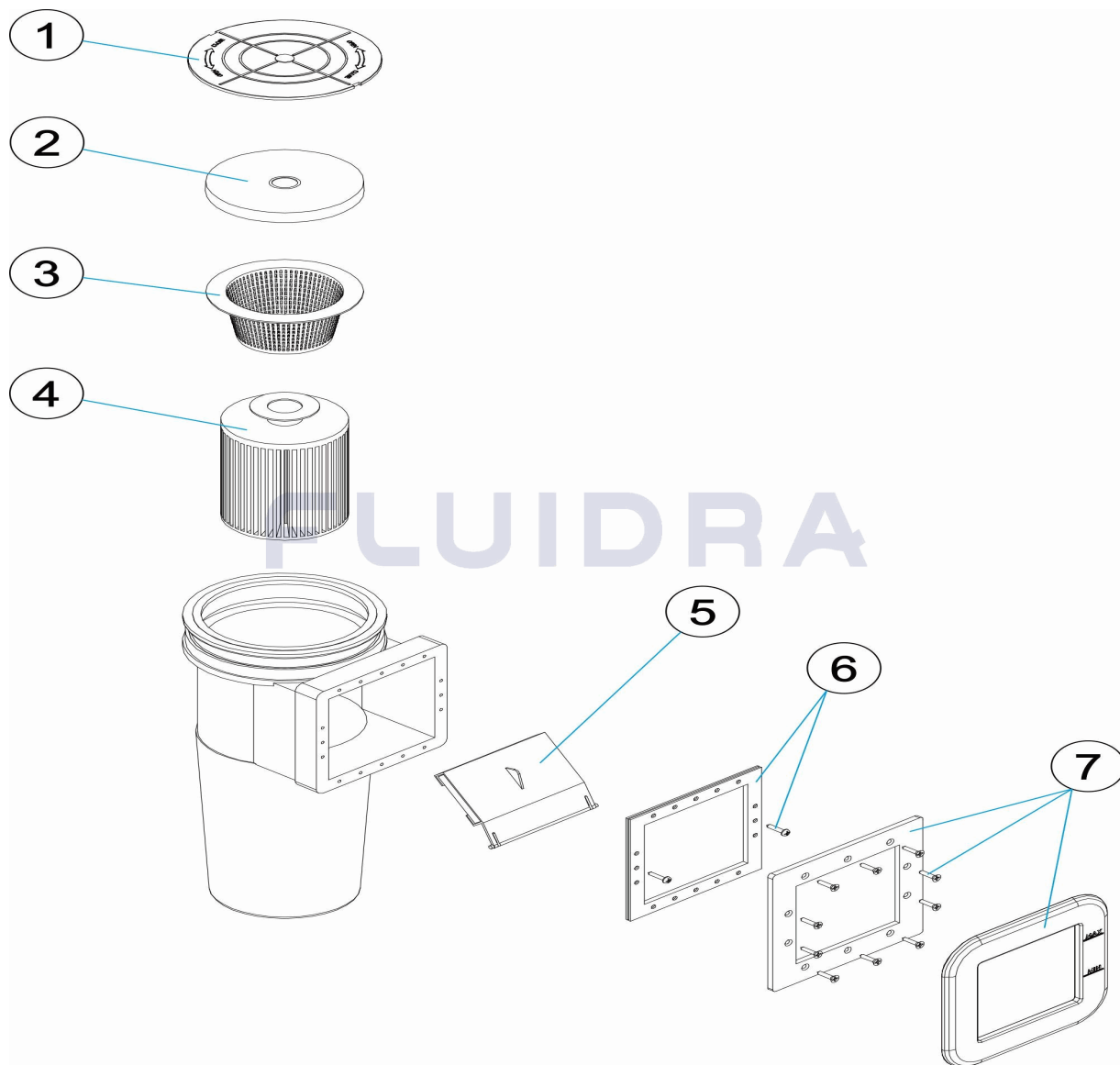


**ESPAÑOL**

POS	CODIGO	DESCRIPCION	CANTIDAD	POS	CODIGO	DESCRIPCION	CANTIDAD
1	4411030604	TAPA SKIMMER		5	4411030601	COMPUERTA FLOTADOR SKIMMER	
2	4411040004	TAPA ASPIRACIÓN		6	4411030605	JUNTA SKIMMER BOCA	
3	4411030602	CESTO SKIMMER PISCINA ELEVADA		7	4411030607	TAPA Y MARCO SKIMMER	
4	RLFTCARTPLA100	FILTRO CARTUCHO PLAYA 100 MICRON					

CODE **11139BP202**

DESCRIPTION: **SKIMMER PLAYA**

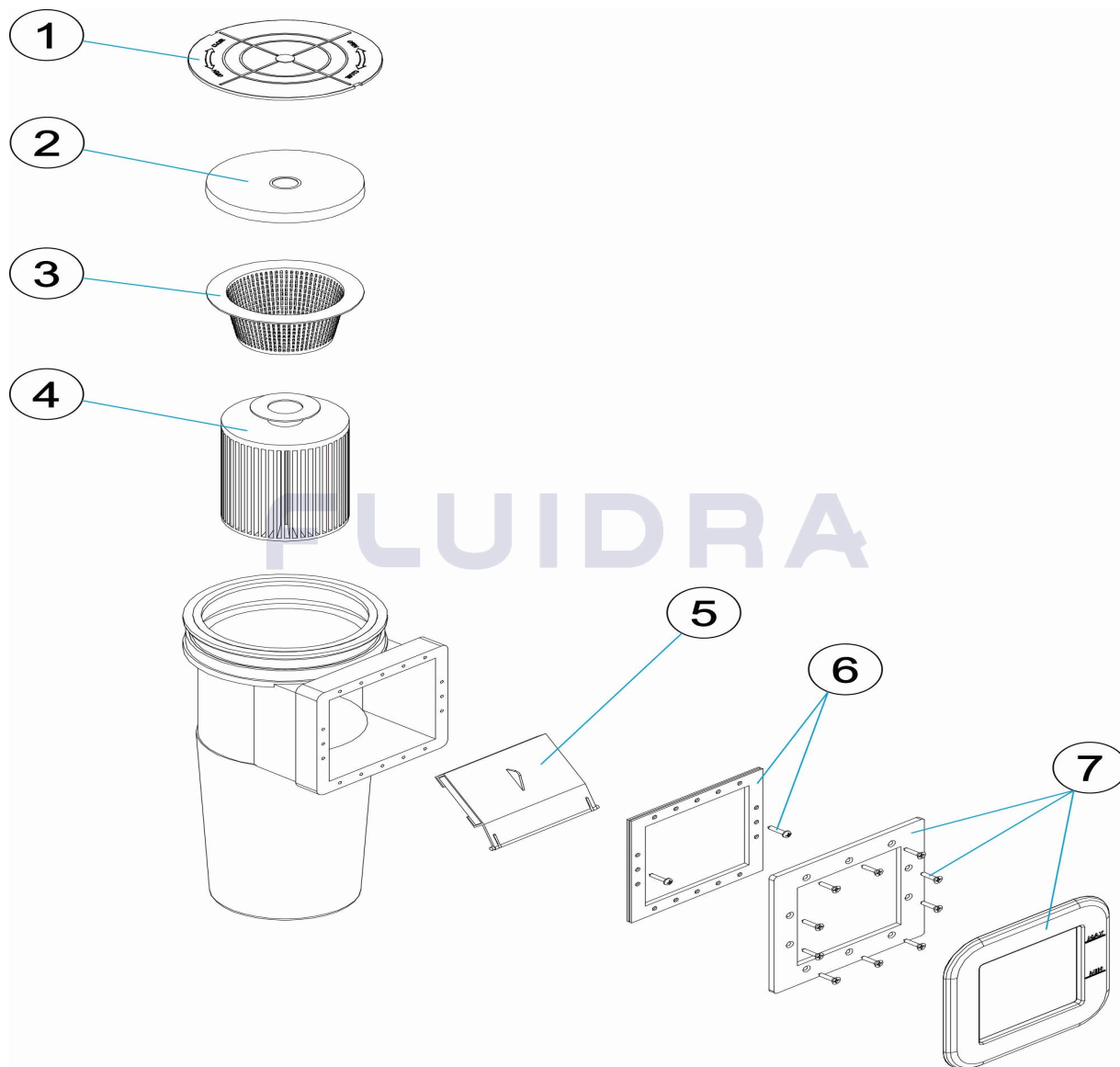


**FRANCAIS**

POS	CODE	DESCRIPTION	QUANTITE	POS	CODE	DESCRIPTION	QUANTITE
1	4411030604	COUVERCLE ROND DE SKIMMER		5	4411030601	VOLET FLOTTEUR SKIMMER	
2	4411040004	COUVERCLE ASPIRATION		6	4411030605	JOINT SKIMMER BOUCHE	
3	4411030602	PANIER SKIMMER PISCINE HORS SOL		7	4411030607	COUVERCLE ET FAÇADE SKIMMER	
4	RLFTCARTPLA100	FILTRE CARTOUCHE PLAYA 100 MICRON					

CODE **11139BP202**

DESCRIPTION: **SKIMMER PLAYA**

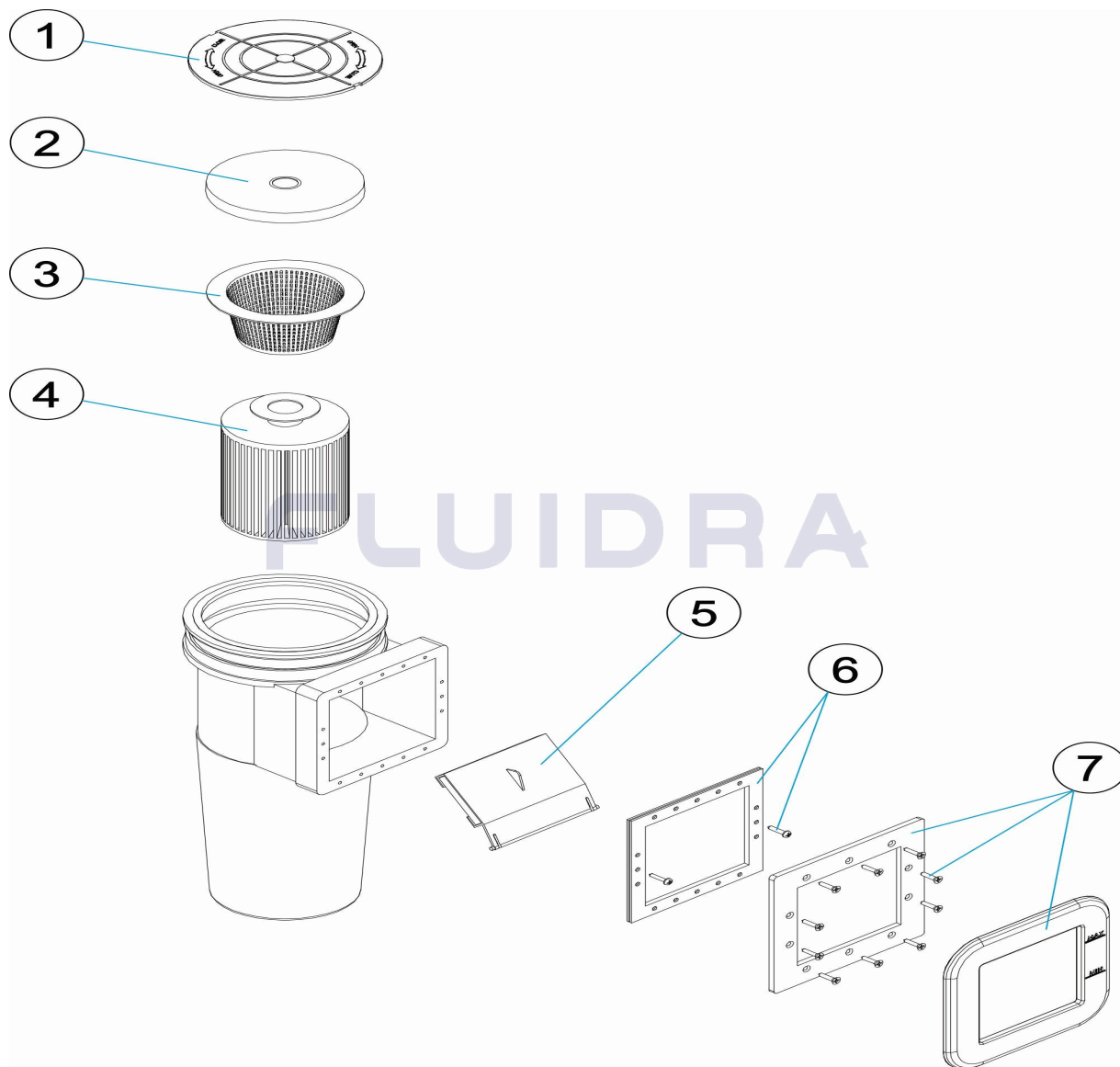


**ENGLISH**

POS	CODE	DESCRIPTION	QUANTITY	POS	CODE	DESCRIPTION	QUANTITY
1	4411030604	SKIMMER LID		5	4411030601	SKIMMER FLOATING FLAP	
2	4411040004	SUCTION COVER		6	4411030605	SKIMMER MOUTH GASKET	
3	4411030602	SKIMMER BASKET FOR ABOVE GROUND F		7	4411030607	SKIMMER LID AND FRAME	
4	RLFTCARTPLA100	PLAYA CARTRIDGE FILTER 100 MICRON					

CODICE **11139BP202**

DESCRIZIONE: **SKIMMER PLAYA**

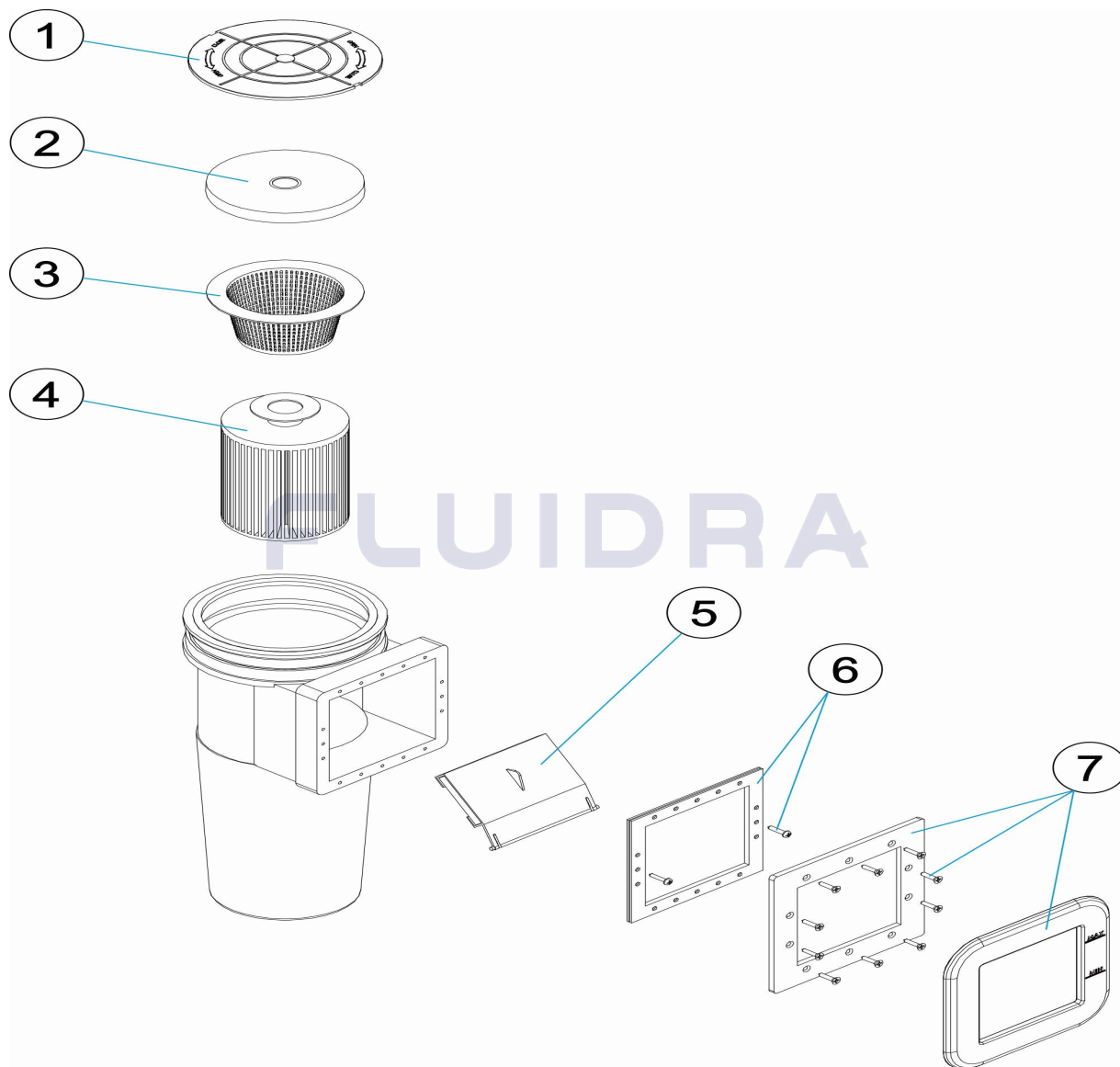


**ITALIANO**

POS	CODICE	DESCRIZIONE	QUANTITA'	POS	CODICE	DESCRIZIONE	QUANTITA'
1	4411030604	COPERCHIO SKIMMER		5	4411030601	SERRANDA GALLEGGIANTE SKIMMER	
2	4411040004	COPERCHIO ASPIRAZIONE		6	4411030605	GUARNIZIONE SKIMMER BOCCA	
3	4411030602	CESTELLO SKIMMER PISCINA FUORI TERF		7	4411030607	COPERCHIO E CORNICE SKIMMER	
4	RLFTCARTPLA100	FILTRO CARTUCCIA PLAYA 100 MICRON					

CODE **11139BP202**

BESCHREIBUNG: **SKIMMER PLAYA**

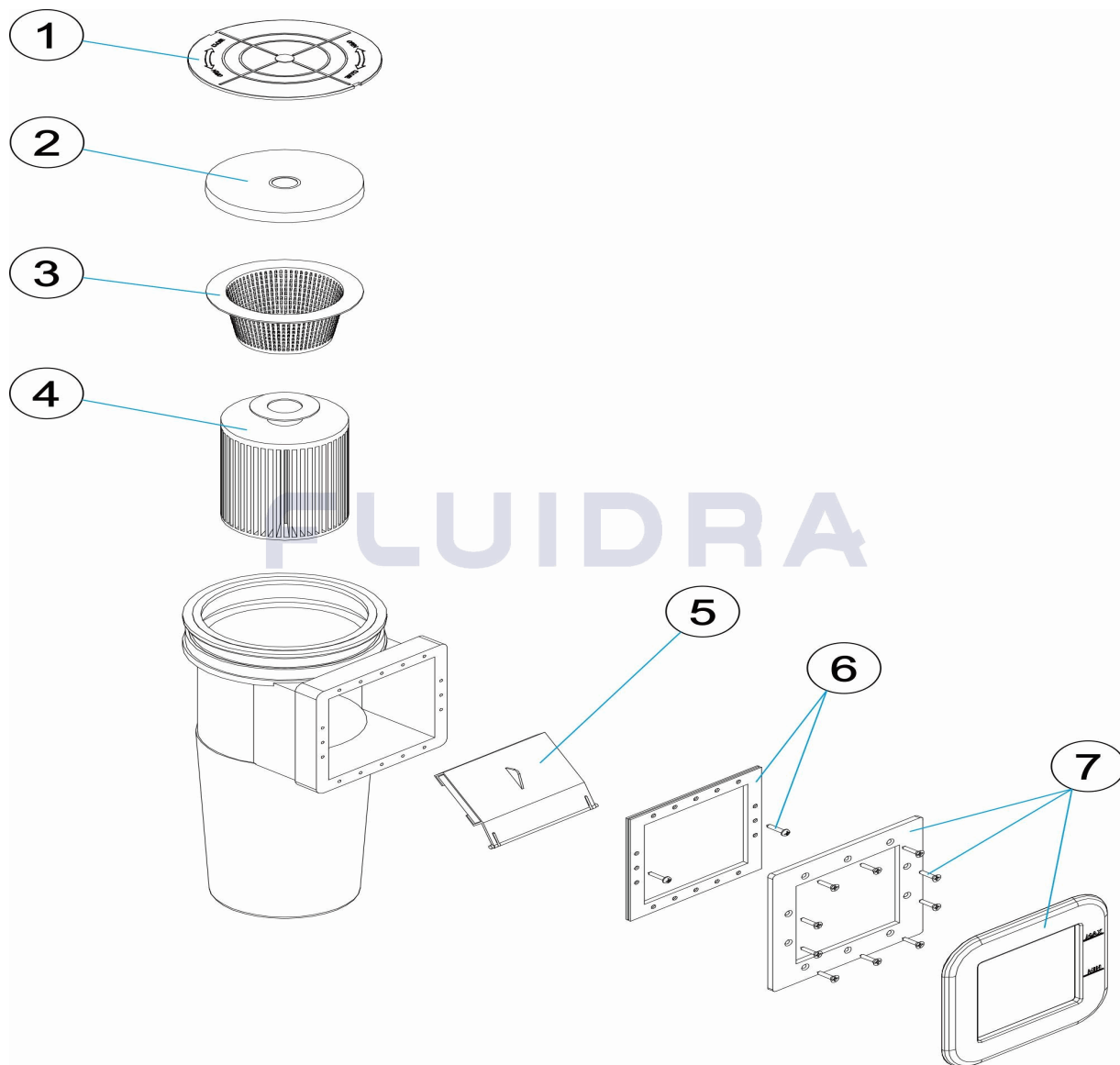


**DEUTSCH**

POS	CODE	BESCHREIBUNG	MENGE	POS	CODE	BESCHREIBUNG	MENGE
1	4411030604	SKIMMERDECKEL		5	4411030601	KLAPPE SCHWIMMER SKIMMER	
2	4411040004	ANSAUGGITTER ABDECKUNG		6	4411030605	DICHTUNG SKIMMER EINLASS	
3	4411030602	SKIMMERKORB AUFSTELLBECKEN		7	4411030607	ABDECKUNG UND RAHMEN SKIMMER	
4	RLFTCARTPLA100	KARTUSCHENFILTER PLAYA 100 MICRON					

CODIGO **11139BP202**

DESCRIÇÃO: **SKIMMER PLAYA**



**PORTUGUES**

POS	CODIGO	DESCRIÇÃO	JANTIDADE	POS	CODIGO	DESCRIÇÃO	JANTIDADE
1	4411030604	TAMPA SKIMMER		5	4411030601	COMPORTA FLUTUADOR SKIMMER	
2	4411040004	TAMPA ASPIRAÇÃO		6	4411030605	JUNTA SKIMMER BOCA	
3	4411030602	CESTO SKIMMER PISCINA ELEVADA		7	4411030607	TAMPA E MARCO SKIMMER	
4	RLFTCARTPLA100	FILTRO CARTUCHO PLAYA 100 MICRON					