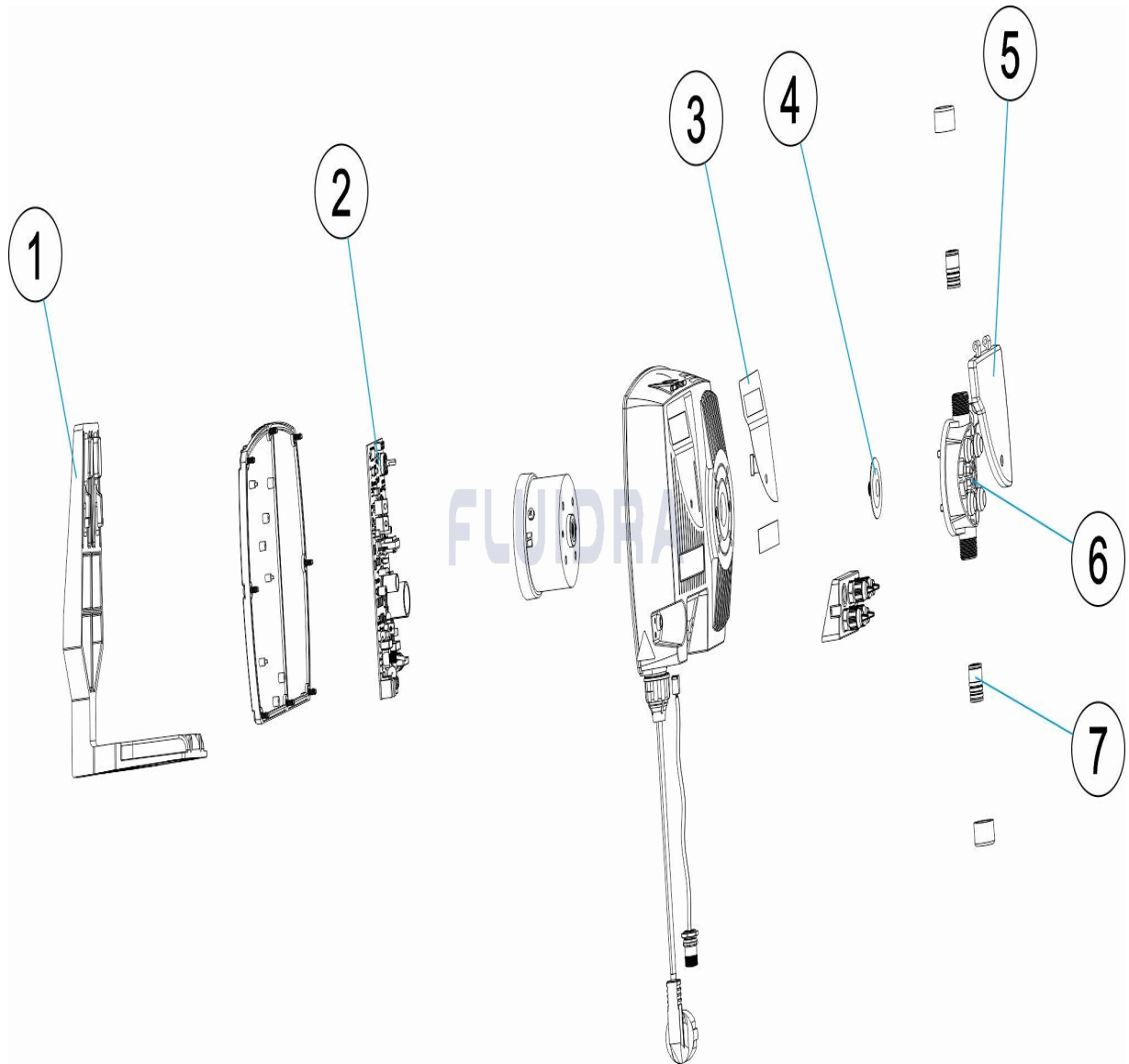


CODIGO 57132, 57133, 57135, 66164

DESCRIPCION: BOMBA OPTIMA



ESPAÑOL

POS	CODIGO	DESCRIPCION	CANTIDAD	POS	CODIGO	DESCRIPCION	CANTIDAD
1	* 36830	PIE SOPORTE		4	* 57140R0004	DIAFRAGMA	
1	* 66167	PIE SOPORTE		4	* 57135R0001	DIAFRAGMA	
2	* 36007R0012	CIRCUITO ANALOGICO 5 L/H.		5	* 36007R0010	TAPA	
2	* 36008R0012	CIRCUITO ANALOGICO 10 L/H.		6	* 36007R0004	CABEZAL PVDF. FPM. BOLAS CERAMICA 5-	
2	* 36009R0012	CIRCUITO ANALOGICO 20 L/H.		6	* 36009R0001	CABEZAL PVC. FPM. BOLAS CERAMICA 20	
2	* 66164R0003	CIRCUITO ELECTRONICO		6	* 66164R0001	CABEZAL COMPLETO	
3	* 57132R0002	ETIQUETA TECLADO		7	* 57140R0003	VÁLVULA KOMPACT PVDF-T/FPM	
3	* 66164R0002	TECLADO		7	* 36009R0007	VALVULA PVDF-T/FPM 20 L/H.	

CODIGO **57132, 57133, 57135, 66164**

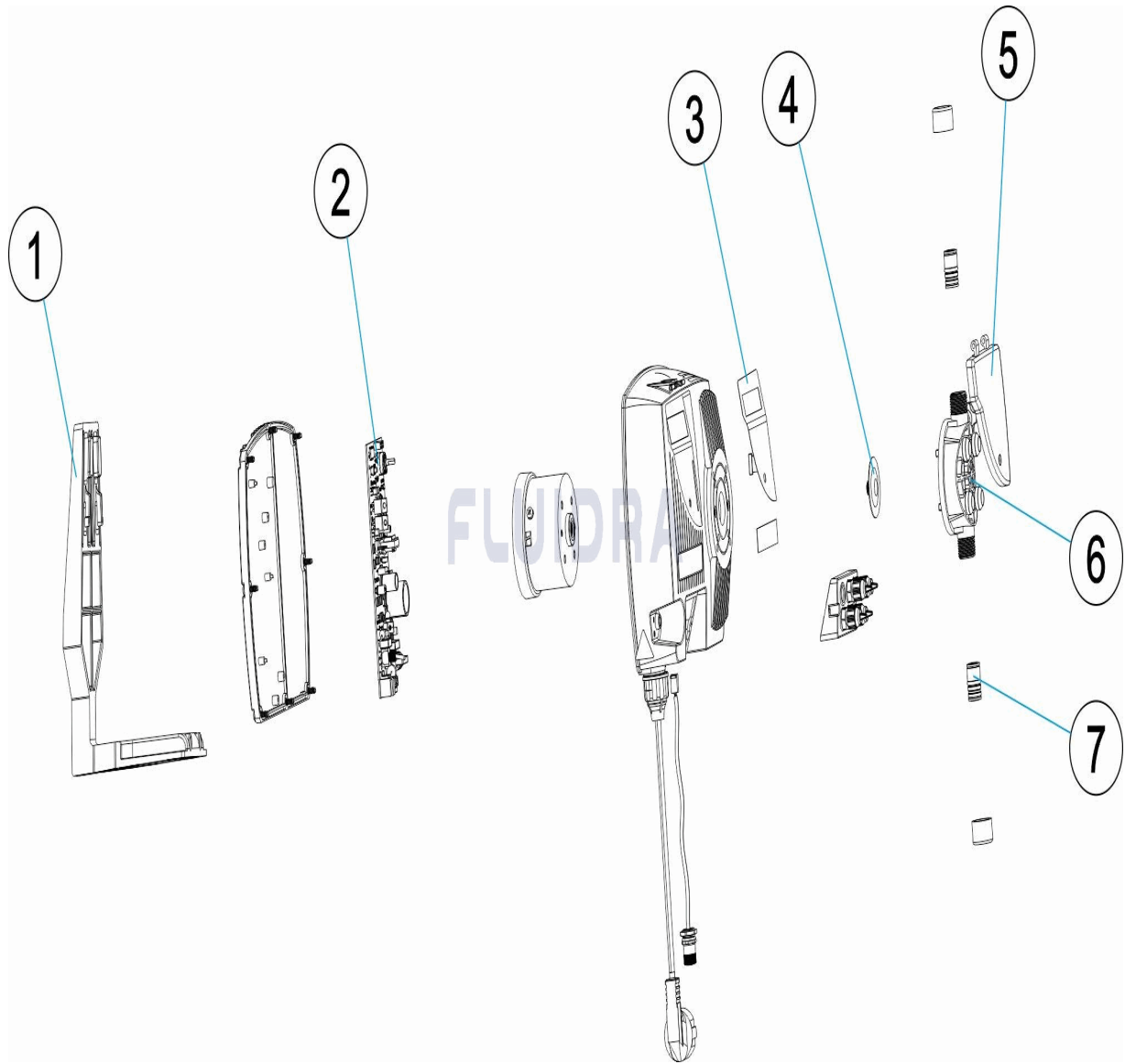
DESCRIPCION: **BOMBA OPTIMA**

OBSERVACIONES

POS	CODIGO	OBSERVACIONES
1	* 36830	PARA: 57132, 57133, 57135
1	* 66167	PARA: 66164
2	* 36007R0012	PARA: 57132
2	* 36008R0012	PARA: 57133
2	* 36009R0012	PARA: 57135
2	* 66164R0003	PARA: 66164
3	* 57132R0002	PARA: 57132, 57133, 57135
3	* 66164R0002	PARA: 66164
4	* 57140R0004	PARA: 57132, 57133, 66164
4	* 57135R0001	PARA: 57135
5	* 36007R0010	PARA: 57132, 57133, 57135
6	* 36007R0004	PARA: 57132, 57133
6	* 36009R0001	PARA: 57135
6	* 66164R0001	PARA: 66164
7	* 57140R0003	PARA: 57132, 57133, 66164
7	* 36009R0007	PARA: 57135

CODE 57132, 57133, 57135, 66164

DESCRIPTION: POMPE OPTIMA



FRANCAIS

POS	CODE	DESCRIPTION	QUANTITE	POS	CODE	DESCRIPTION	QUANTITE
1	* 36830	PIED SUPPORT		4	* 57140R0004	DIAPHRAGME	
1	* 66167	PIED SUPPORT		4	* 57135R0001	DIAFRAGMA	
2	* 36007R0012	CIRCUIT ANALOGIQUE 5 L/H		5	* 36007R0010	COUVERCLE	
2	* 36008R0012	CIRCUIT ANALOGIQUE 10 L/H		6	* 36007R0004	TETE PVDF FPM BOISSEAUX CERAMIQUE	
2	* 36009R0012	CIRCUIT ANALOGIQUE 20 L/H		6	* 36009R0001	TETE PVC FPM BOISSEAUX PIREX 20L/H	
2	* 66164R0003	CIRCUIT ELECTRONIQUE		6	* 66164R0001	TÊTE COMPLÈTE	
3	* 57132R0002	ETIQUETA TECLADO		7	* 57140R0003	VANNE KOMPACT PVDF-T/FPM	
3	* 66164R0002	CLAVIER		7	* 36009R0007	VANNE PVDF-T/FPM 20L/H	

CODE **57132, 57133, 57135, 66164**

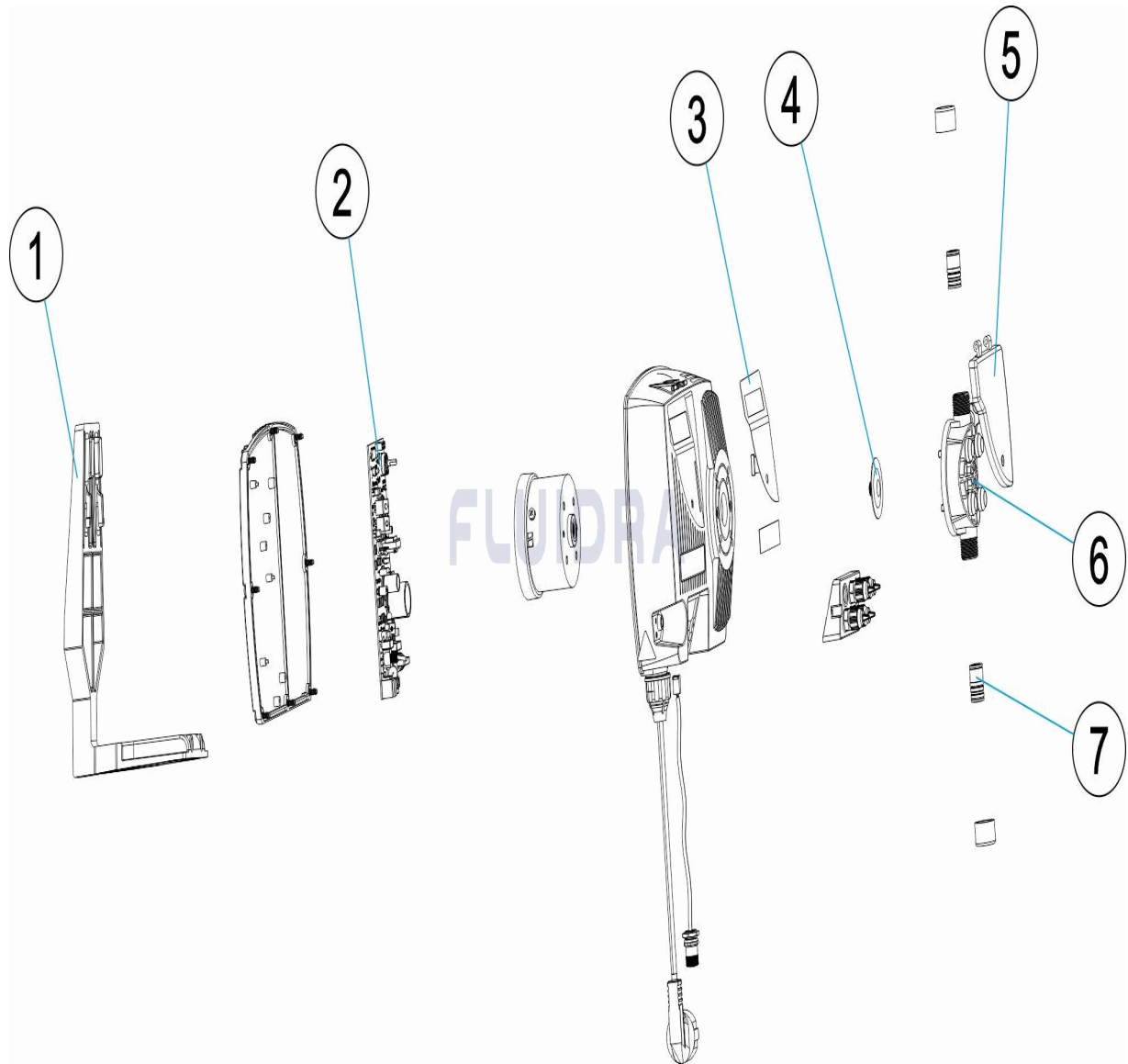
DESCRIPTION: **POMPE OPTIMA**

OBSERVATIONS

POS	CODE	OBSERVATIONS
1	* 36830	POUR: 57132, 57133, 57135
1	* 66167	POUR: 66164
2	* 36007R0012	POUR: 57132
2	* 36008R0012	POUR: 57133
2	* 36009R0012	POUR: 57135
2	* 66164R0003	POUR: 66164
3	* 57132R0002	POUR: 57132, 57133, 57135
3	* 66164R0002	POUR: 66164
4	* 57140R0004	POUR: 57132, 57133, 66164
4	* 57135R0001	POUR: 57135
5	* 36007R0010	POUR: 57132, 57133, 57135
6	* 36007R0004	POUR: 57132, 57133
6	* 36009R0001	POUR: 57135
6	* 66164R0001	POUR: 66164
7	* 57140R0003	POUR: 57132, 57133, 66164
7	* 36009R0007	POUR: 57135

CODE 57132, 57133, 57135, 66164

DESCRIPTION: OPTIMA PUMP



ENGLISH

POS	CODE	DESCRIPTION	QUANTITY	POS	CODE	DESCRIPTION	QUANTITY
1	* 36830	SUPPORT FOOT		4	* 57140R0004	DIAPHRAGM	
1	* 66167	SUPPORT FOOT		4	* 57135R0001	DIAPHRAGME	
2	* 36007R0012	5 L/H ANALOGUE CIRCUIT		5	* 36007R0010	COVER	
2	* 36008R0012	10 L/H ANALOGUE CIRCUIT		6	* 36007R0004	5-10 L/H CERAMIC BALLS. PVDF HEAD. FPM	
2	* 36009R0012	20 L/H ANALOGUE CIRCUIT		6	* 36009R0001	20 L/H PYREX BALLS. PVC HEAD. FPM.	
2	* 66164R0003	ELECTRONIC CIRCUIT		6	* 66164R0001	COMPLETE HEAD ASSEMBLY	
3	* 57132R0002	ÉTIQUETTE CLAVIER		7	* 57140R0003	KOMPACT PVDF-T/FPM VALVE	
3	* 66164R0002	KEYPAD		7	* 36009R0007	20 L/H PVDF-T/FPM VALVE	

CODE **57132, 57133, 57135, 66164**

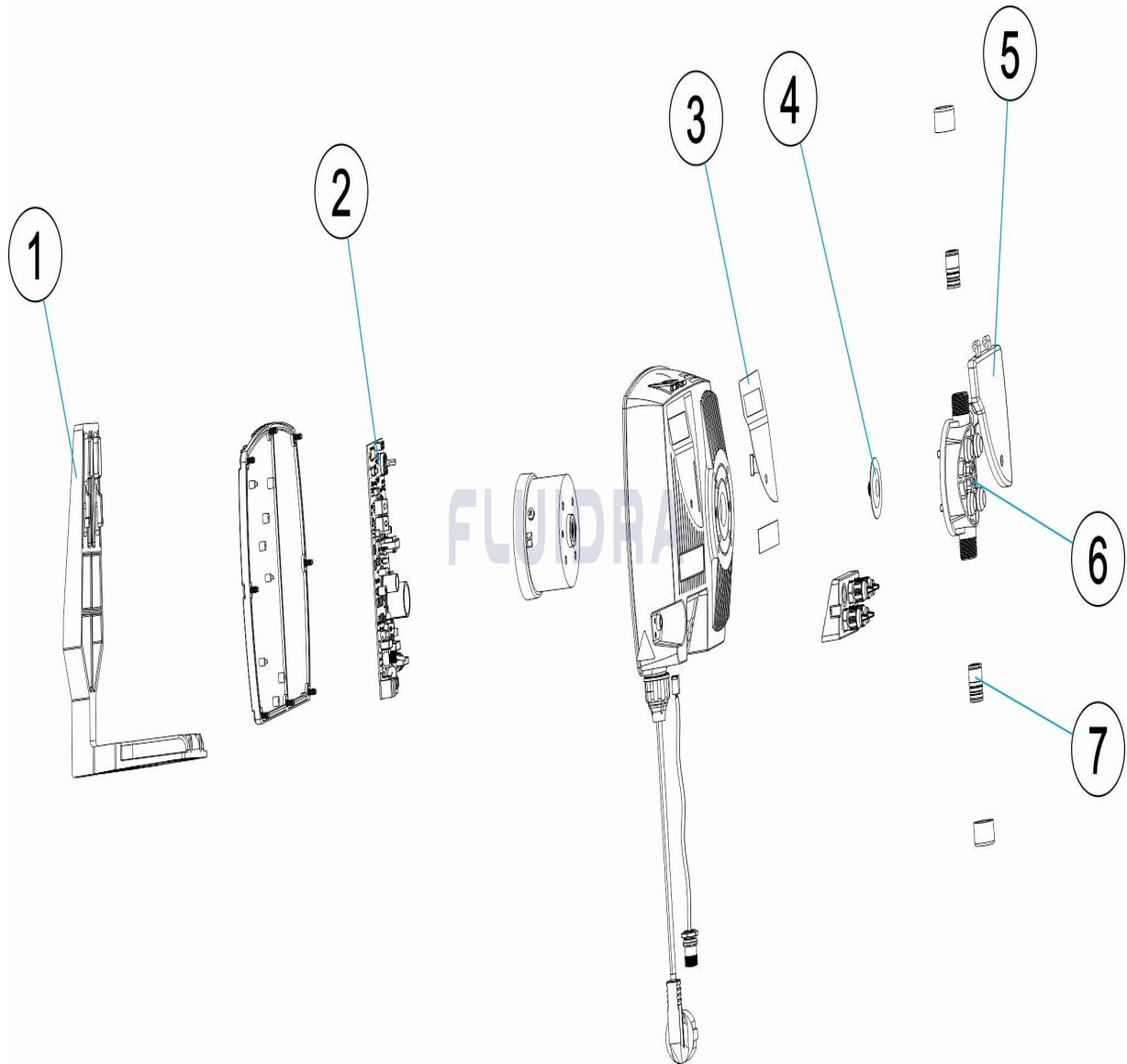
DESCRIPTION: **OPTIMA PUMP**

OBSERVATIONS

POS	CODE	OBSERVATIONS
1	* 36830	FOR: 57132, 57133, 57135
1	* 66167	FOR: 66164
2	* 36007R0012	FOR: 57132
2	* 36008R0012	FOR: 57133
2	* 36009R0012	FOR: 57135
2	* 66164R0003	FOR: 66164
3	* 57132R0002	FOR: 57132, 57133, 57135
3	* 66164R0002	FOR: 66164
4	* 57140R0004	FOR: 57132, 57133, 66164
4	* 57135R0001	FOR: 57135
5	* 36007R0010	FOR: 57132, 57133, 57135
6	* 36007R0004	FOR: 57132, 57133
6	* 36009R0001	FOR: 57135
6	* 66164R0001	FOR: 66164
7	* 57140R0003	FOR: 57132, 57133, 66164
7	* 36009R0007	FOR: 57135

CODICE 57132, 57133, 57135, 66164

DESCRIZIONE: POMPA OPTIMA



ITALIANO

POS	CODICE	DESCRIZIONE	QUANTITA'	POS	CODICE	DESCRIZIONE	QUANTITA'
1	* 36830	PIEDE SUPPORTO		4	* 57140R0004	DIAFRAMMA	
1	* 66167	PIEDE SUPPORTO		4	* 57135R0001	DIAPHRAGM	
2	* 36007R0012	CIRCUITO ANALOGICO 5 L/H.		5	* 36007R0010	COPERCHIO	
2	* 36008R0012	CIRCUITO ANALOGICO 10 L/H		6	* 36007R0004	TESTINA PVDF. FPM. SFERE CERAMICA 5-	
2	* 36009R0012	CIRCUITO ANALOGICO 20 L/H		6	* 36009R0001	TESTINA PVC. FPM. SFERE PIREX 20 L/H.	
2	* 66164R0003	CIRCUITO ELETTRONICO		6	* 66164R0001	TESTA COMPLETA	
3	* 57132R0002	KEYBOARD LABEL		7	* 57140R0003	VALVOLA KOMPACT PVDF-T/FPM	
3	* 66164R0002	PULSANTIERA		7	* 36009R0007	VALVOLA PVDF-T/FPM 20 L/H.	

CODICE **57132, 57133, 57135, 66164**

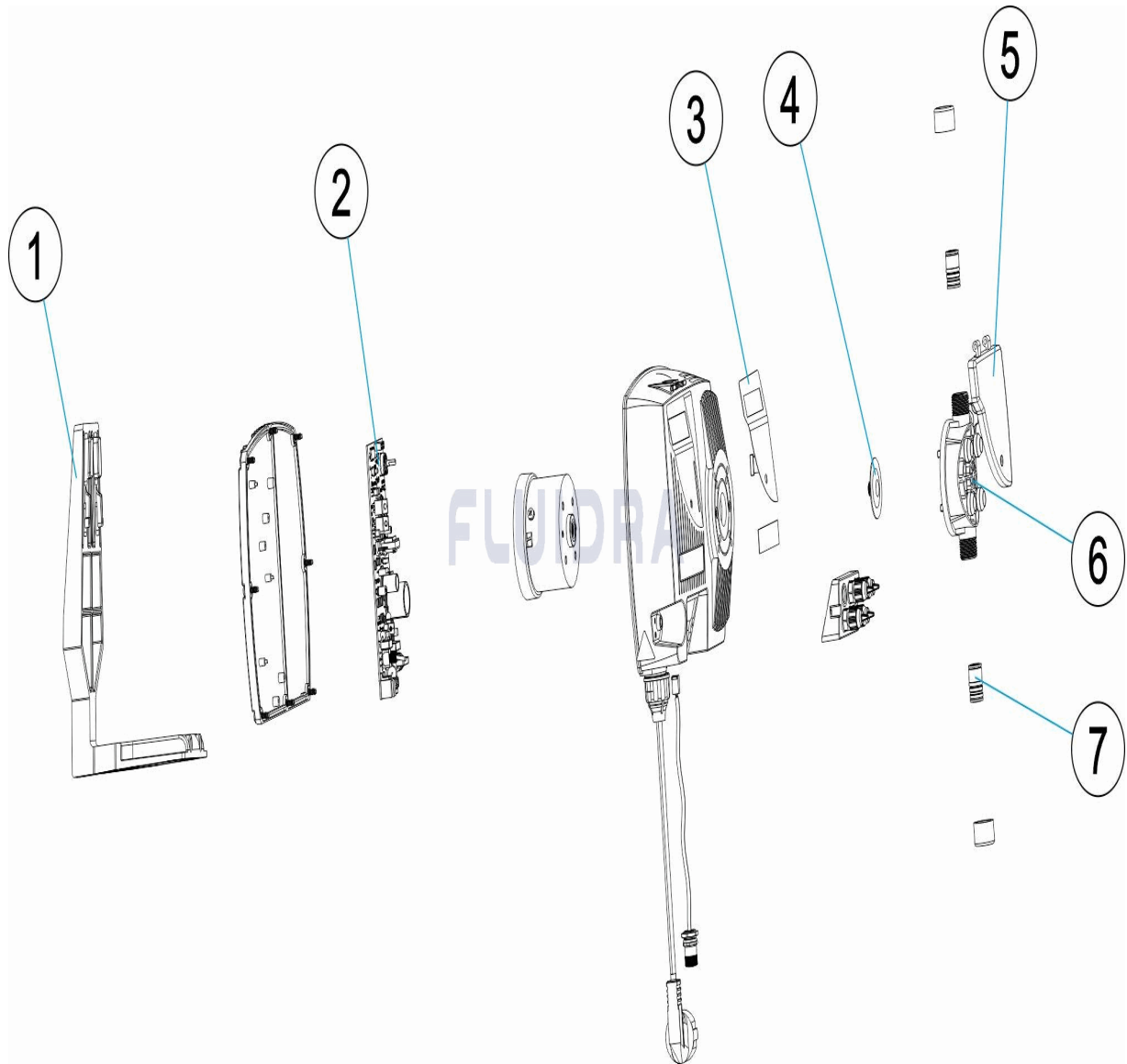
DESCRIZIONE: **POMPA OPTIMA**

OSSERVAZIONI

POS	CODICE	OSSERVAZIONI
1	* 36830	PER: 57132, 57133, 57135
1	* 66167	PER: 66164
2	* 36007R0012	PER: 57132
2	* 36008R0012	PER: 57133
2	* 36009R0012	PER: 57135
2	* 66164R0003	PER: 66164
3	* 57132R0002	PER: 57132, 57133, 57135
3	* 66164R0002	PER: 66164
4	* 57140R0004	PER: 57132, 57133, 66164
4	* 57135R0001	PER: 57135
5	* 36007R0010	PER: 57132, 57133, 57135
6	* 36007R0004	PER: 57132, 57133
6	* 36009R0001	PER: 57135
6	* 66164R0001	PER: 66164
7	* 57140R0003	PER: 57132, 57133, 66164
7	* 36009R0007	PER: 57135

CODE 57132, 57133, 57135, 66164

BESCHREIBUNG: PUMPE OPTIMA



DEUTSCH

POS	CODE	BESCHREIBUNG	MENGE	POS	CODE	BESCHREIBUNG	MENGE
1	* 36830	STÜTZFUSS		4	* 57140R0004	MEMBRAN	
1	* 66167	SOCKEL HALTERUNG		4	* 57135R0001	DIAFRAMMA	
2	* 36007R0012	SCHALTKREIS ANALOG 5 L/H		5	* 36007R0010	ABDECKUNG	
2	* 36008R0012	SCHALTKREIS ANALOG 10 L/H		6	* 36007R0004	KOPFSTÜCK PVDF. FPM. KUGELN KERAMII	
2	* 36009R0012	SCHALTKREIS ANALOG 20 L/H		6	* 36009R0001	KOPFSTÜCK PVC. FPM. KERAMIKKUGELN	
2	* 66164R0003	PLATINE DOSIERPUMPE		6	* 66164R0001	KOPFTEIL KOMPLETT	
3	* 57132R0002	ETICHETTA TASTIERA		7	* 57140R0003	VENTIL KOMPACT PVDF-T/FPM	
3	* 66164R0002	TASTENFELD		7	* 36009R0007	VENTIL PVDF-T/FPM 20 L/H	

CODE **57132, 57133, 57135, 66164**

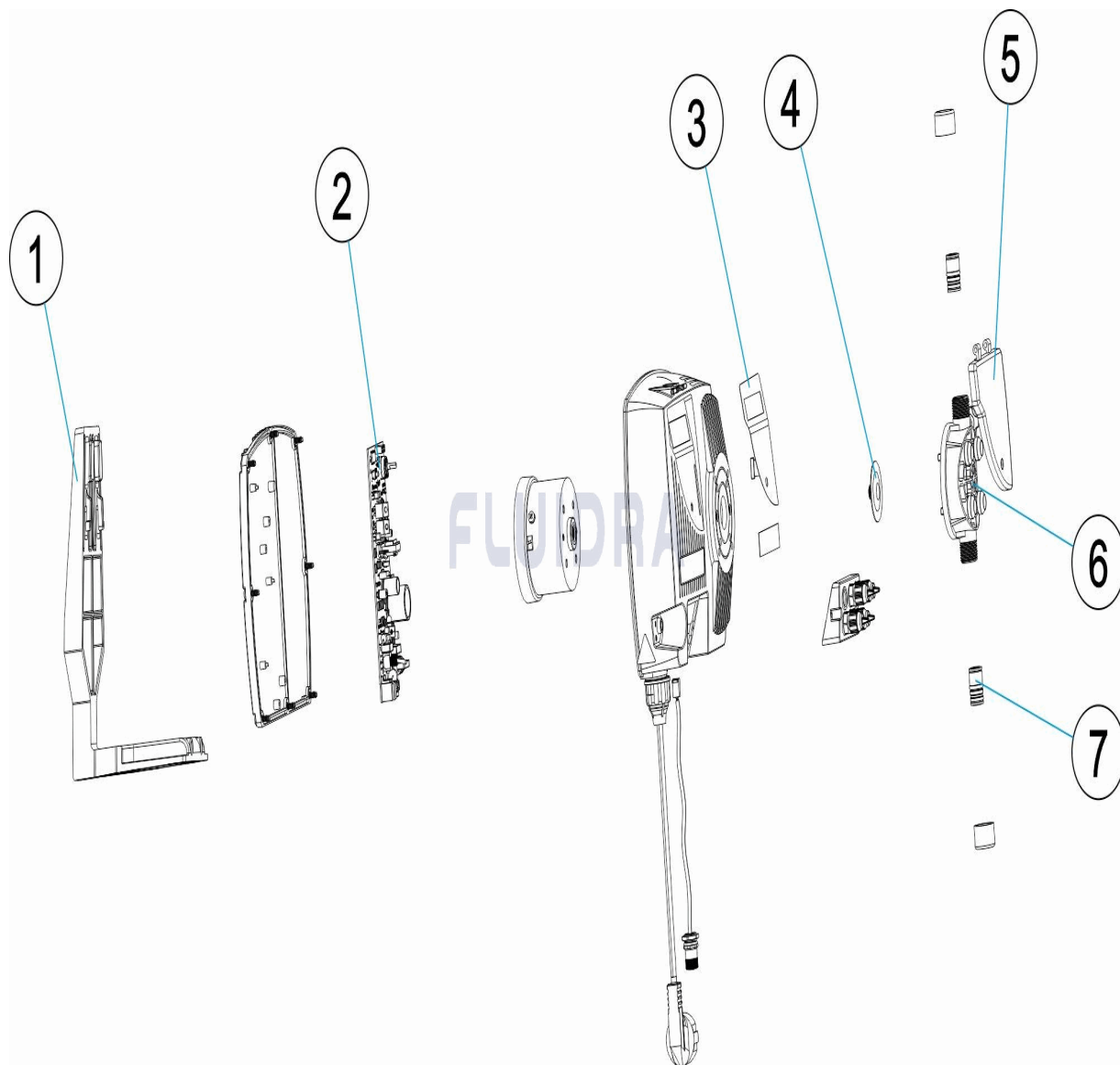
BESCHREIBUNG: **PUMPE OPTIMA**

HINWEISE

POS	CODE	HINWEISE
1	* 36830	FÜR: 57132, 57133, 57135
1	* 66167	FÜR: 66164
2	* 36007R0012	FÜR: 57132
2	* 36008R0012	FÜR: 57133
2	* 36009R0012	FÜR: 57135
2	* 66164R0003	FÜR: 66164
3	* 57132R0002	FÜR: 57132, 57133, 57135
3	* 66164R0002	FÜR: 66164
4	* 57140R0004	FÜR: 57132, 57133, 66164
4	* 57135R0001	FÜR: 57135
5	* 36007R0010	FÜR: 57132, 57133, 57135
6	* 36007R0004	FÜR: 57132, 57133
6	* 36009R0001	FÜR: 57135
6	* 66164R0001	FÜR: 66164
7	* 57140R0003	FÜR: 57132, 57133, 66164
7	* 36009R0007	FÜR: 57135

CODIGO 57132, 57133, 57135, 66164

DESCRIÇÃO: BOMBA OPTIMA



PORTUGUES

POS	CODIGO	DESCRIÇÃO	JANTIDADE	POS	CODIGO	DESCRIÇÃO	JANTIDADE
1	* 36830	SUPORTE DA BASE		4	* 57140R0004	DIAFRAGMA	
1	* 66167	SUPORTE DA BASE		4	* 57135R0001	MEMBRAN	
2	* 36007R0012	CIRCUITO ANALÓGICO 5 L/H		5	* 36007R0010	TAMPA	
2	* 36008R0012	CIRCUITO ANALÓGICO 10 L/H		6	* 36007R0004	CABEÇAL PVDF FPM BOLAS CERAMICA 5-1	
2	* 36009R0012	CIRCUITO ANALÓGICO 20 L/H		6	* 36009R0001	CABEÇAL PVC. FPM BOLAS PIREX 20 L/H.	
2	* 66164R0003	CIRCUITO ELECTRONICO		6	* 66164R0001	CABEÇAL COMPLETO	
3	* 57132R0002	ETIKETTE TASTADUR		7	* 57140R0003	VALVULA KOMPACT PVDF-T/FPM	
3	* 66164R0002	TECLADO		7	* 36009R0007	VALVULA PVDF-T/FPM 20 L/H.	

CODIGO **57132, 57133, 57135, 66164**

DESCRIÇÃO: BOMBA OPTIMA

OBSERVAÇÕES

POS	CODIGO	OBSERVAÇÕES
1	* 36830	PARA: 57132, 57133, 57135
1	* 66167	PARA: 66164
2	* 36007R0012	PARA: 57132
2	* 36008R0012	PARA: 57133
2	* 36009R0012	PARA: 57135
2	* 66164R0003	PARA: 66164
3	* 57132R0002	PARA: 57132, 57133, 57135
3	* 66164R0002	PARA: 66164
4	* 57140R0004	PARA: 57132, 57133, 66164
4	* 57135R0001	PARA: 57135
5	* 36007R0010	PARA: 57132, 57133, 57135
6	* 36007R0004	PARA: 57132, 57133
6	* 36009R0001	PARA: 57135
6	* 66164R0001	PARA: 66164
7	* 57140R0003	PARA: 57132, 57133, 66164
7	* 36009R0007	PARA: 57135