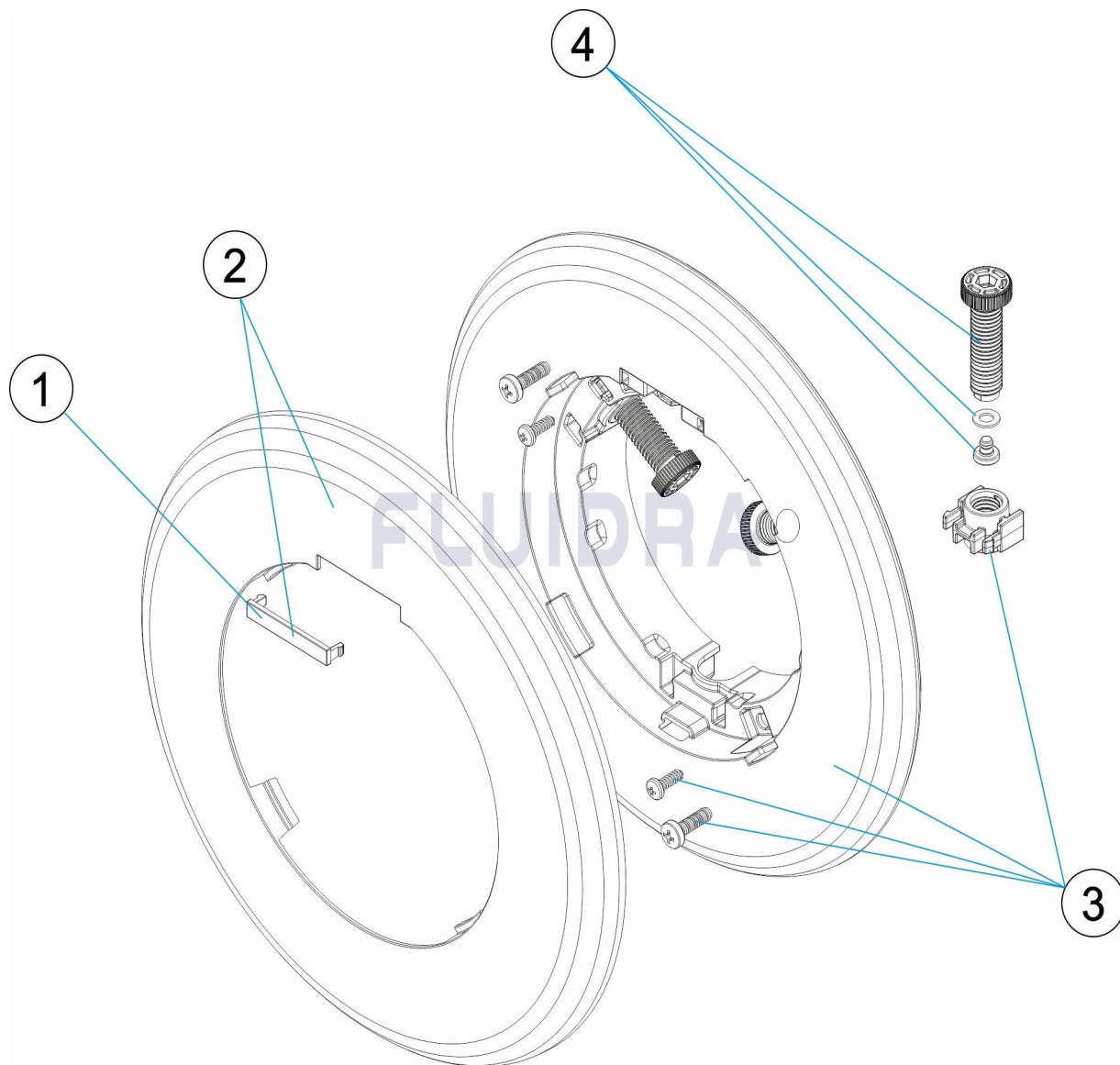


CODIGO 71209, 71209CL090, 71209CL129, 71209CL144

DESCRIPCION: EMBELLECEDOR FLEXINICHE



ESPAÑOL

POS	CODIGO	DESCRIPCION	CANTIDAD	POS	CODIGO	DESCRIPCION	CANTIDAD
1	* 4403010087	TAPETA EMBELLECEDORA PURE WHITE		2	* 4403010123	EMBELLECEDOR FLEXINICHE	
1	* 4403010119	TAPETA EMBELLECEDORA		2	* 4403010124	EMBELLECEDOR FLEXINICHE	
1	* 4403010120	TAPETA EMBELLECEDORA		2	* 4403010125	EMBELLECEDOR FLEXINICHE	
1	* 4403010121	TAPETA EMBELLECEDORA		3	4403010126	FIJACIÓN FLEXINICHE	
2	* 4403010122	EMBELLECEDOR FLEXINICHE		4	4403010127	TORNILLERIA FIJACION FLEXINICHE	

CODIGO 71209, 71209CL090, 71209CL129, 71209CL144

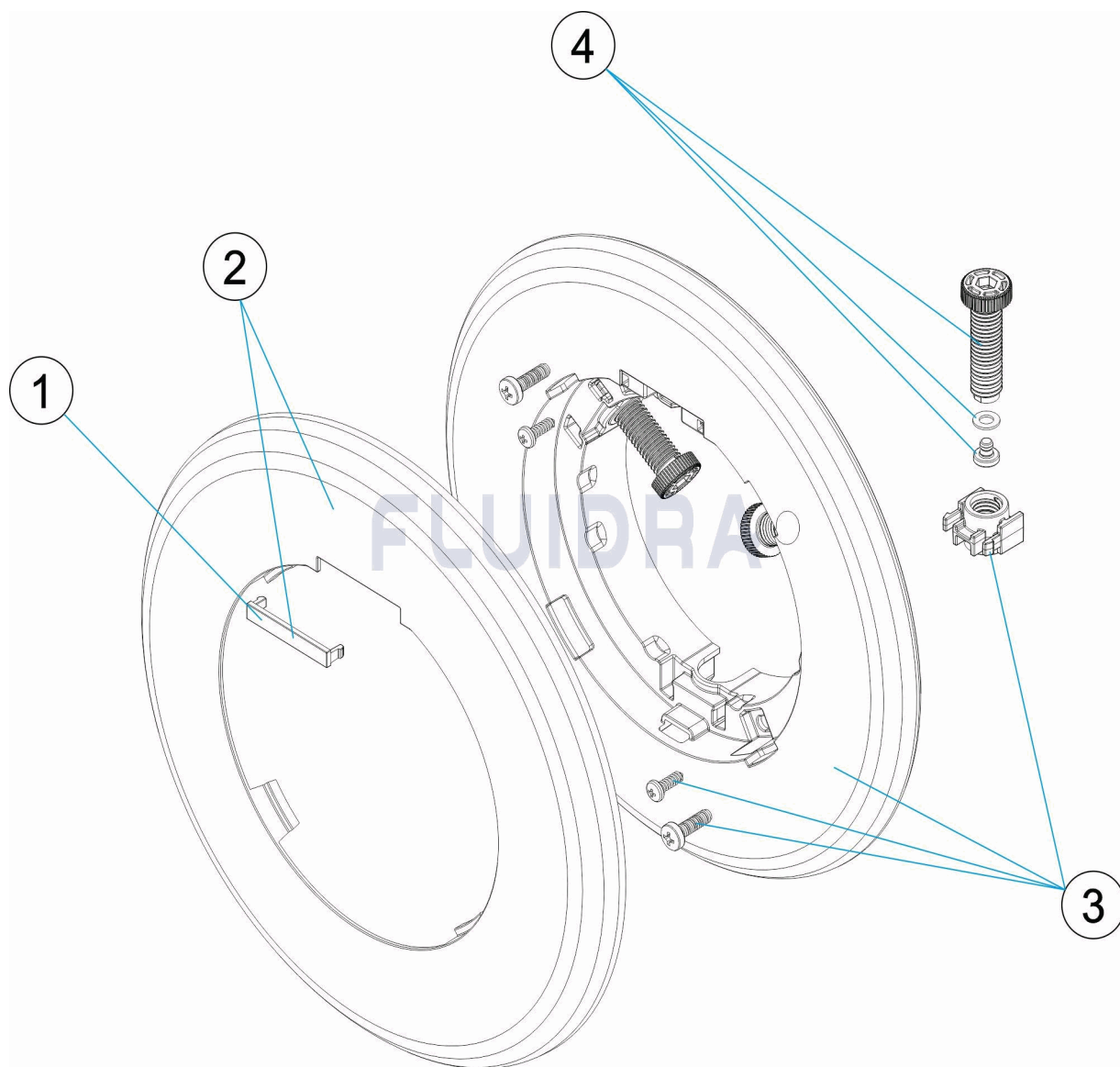
DESCRIPCION: EMBELLECEDOR FLEXINICHE

OBSERVACIONES

POS	CODIGO	OBSERVACIONES
1	* 4403010087	PARA: 71209 WHITE
1	* 4403010119	PARA: 71209CL090 BEIGE
1	* 4403010120	PARA: 71209CL129 GREY
1	* 4403010121	PARA: 71209CL144 ANTHRACITE
2	* 4403010122	PARA: 71209 WHITE
2	* 4403010123	PARA: 71209CL090 BEIGE
2	* 4403010124	PARA: 71209CL129 GREY
2	* 4403010125	PARA: 71209CL144 ANTHRACITE

CODE 71209, 71209CL090, 71209CL129, 71209CL144

DESCRIPTION: ENJOLIVEUR FLEXINICHE



FRANCAIS

POS	CODE	DESCRIPTION	QUANTITE	POS	CODE	DESCRIPTION	QUANTITE
1	* 4403010087	ENJOLIVEUR PURE WHITE		2	* 4403010123	ENJOLIVEUR FLEXINICHE	
1	* 4403010119	ENJOLIVEUR		2	* 4403010124	ENJOLIVEUR FLEXINICHE	
1	* 4403010120	ENJOLIVEUR		2	* 4403010125	ENJOLIVEUR FLEXINICHE	
1	* 4403010121	ENJOLIVEUR		3	4403010126	FIXATION FLEXINICHE	
2	* 4403010122	ENJOLIVEUR FLEXINICHE		4	4403010127	VISSERIE FIXATION FLEXINICHE	

CODE **71209, 71209CL090, 71209CL129, 71209CL144**

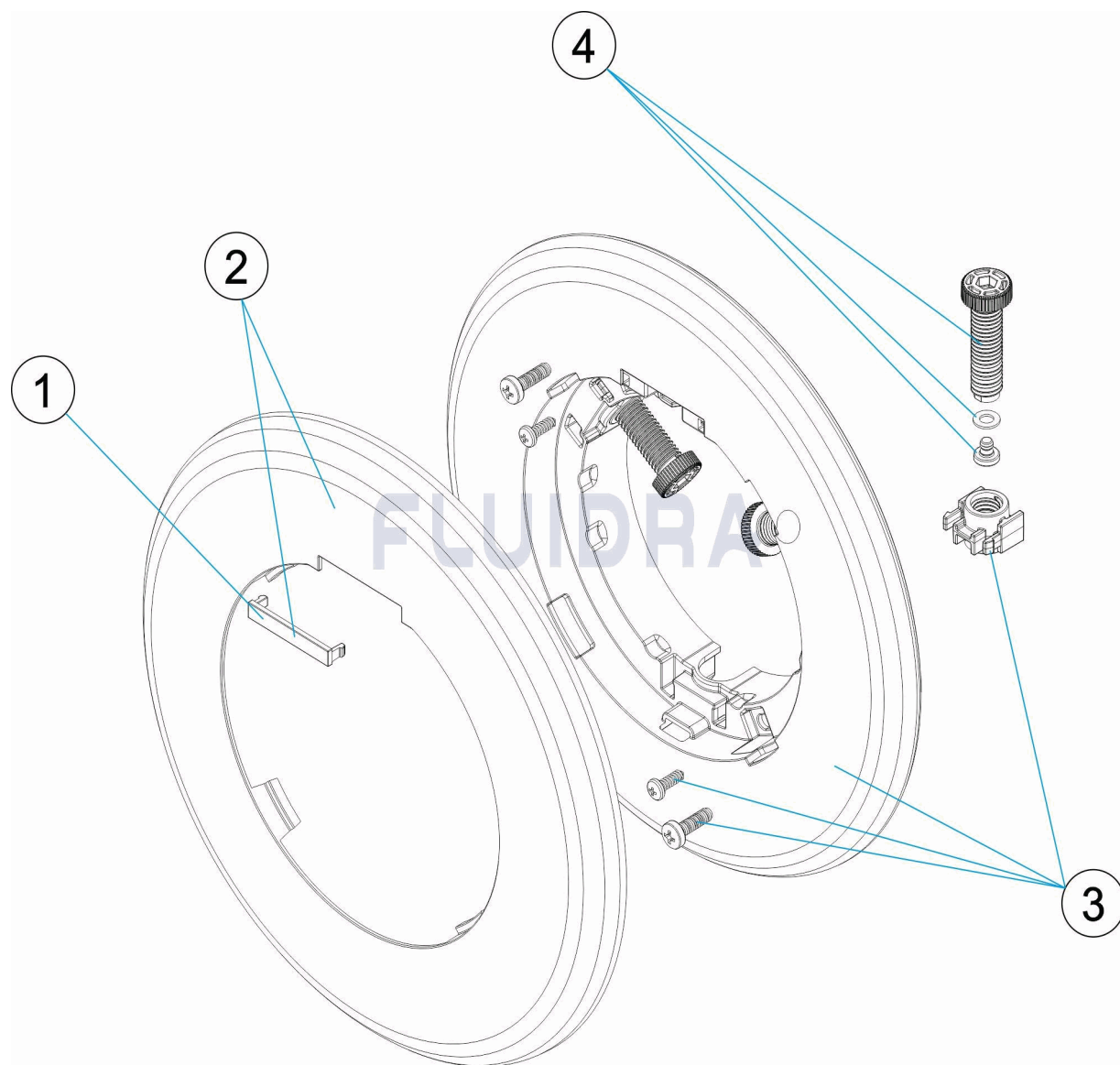
DESCRIPTION: **ENJOLIVEUR FLEXINICHE**

OBSERVATIONS

POS	CODE	OBSERVATIONS
1	* 4403010087	POUR: 71209 WHITE
1	* 4403010119	POUR: 71209CL090 BEIGE
1	* 4403010120	POUR: 71209CL129 GREY
1	* 4403010121	POUR: 71209CL144 ANTHRACITE
2	* 4403010122	POUR: 71209 WHITE
2	* 4403010123	POUR: 71209CL090 BEIGE
2	* 4403010124	POUR: 71209CL129 GREY
2	* 4403010125	POUR: 71209CL144 ANTHRACITE

CODE 71209, 71209CL090, 71209CL129, 71209CL144

DESCRIPTION: FLEXINICHE LIGHT COVER



ENGLISH

POS	CODE	DESCRIPTION	QUANTITY	POS	CODE	DESCRIPTION	QUANTITY
1	* 4403010087	ESCUTCHEON PURE WHITE		2	* 4403010123	FLEXINICHE FACEPLATE	
1	* 4403010119	ESCUTCHEON		2	* 4403010124	FLEXINICHE FACEPLATE	
1	* 4403010120	ESCUTCHEON		2	* 4403010125	FLEXINICHE FACEPLATE	
1	* 4403010121	ESCUTCHEON		3	4403010126	FLEXINICHE FIXING	
2	* 4403010122	FLEXINICHE FACEPLATE		4	4403010127	SCREWS FOR FIXING FLEXINICHE	

CODE **71209, 71209CL090, 71209CL129, 71209CL144**

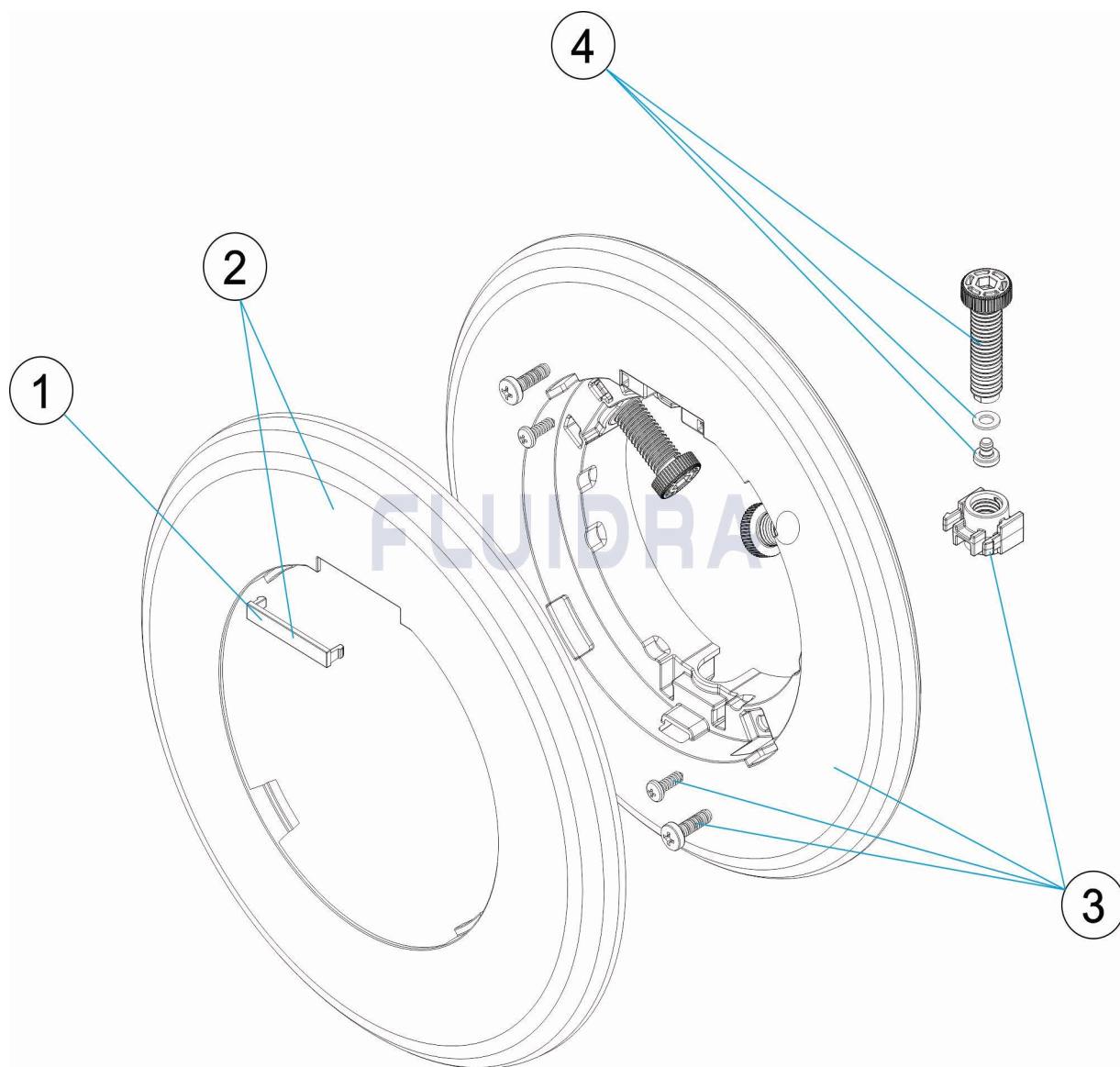
DESCRIPTION: **FLEXINICHE LIGHT COVER**

OBSERVATIONS

POS	CODE	OBSERVATIONS
1	* 4403010087	FOR: 71209 WHITE
1	* 4403010119	FOR: 71209CL090 BEIGE
1	* 4403010120	FOR: 71209CL129 GREY
1	* 4403010121	FOR: 71209CL144 ANTHRACITE
2	* 4403010122	FOR: 71209 WHITE
2	* 4403010123	FOR: 71209CL090 BEIGE
2	* 4403010124	FOR: 71209CL129 GREY
2	* 4403010125	FOR: 71209CL144 ANTHRACITE

CODICE 71209, 71209CL090, 71209CL129, 71209CL144

DESCRIZIONE: PROIETTORE PLACCA FLEXINICHE



ITALIANO

POS	CODICE	DESCRIZIONE	QUANTITA'	POS	CODICE	DESCRIZIONE	QUANTITA'
1	* 4403010087	COPRIFLANGIA PURE WHITE		2	* 4403010123	ANELLO FRONTALE FLEXINICHE	
1	* 4403010119	COPRIFLANGIA		2	* 4403010124	ANELLO FRONTALE FLEXINICHE	
1	* 4403010120	COPRIFLANGIA		2	* 4403010125	ANELLO FRONTALE FLEXINICHE	
1	* 4403010121	COPRIFLANGIA		3	4403010126	FISSAGGIO FLEXINICHE	
2	* 4403010122	ANELLO FRONTALE FLEXINICHE		4	4403010127	ELEMENTI DI FISSAGGIO FLEXINICHE	

CODICE **71209, 71209CL090, 71209CL129, 71209CL144**

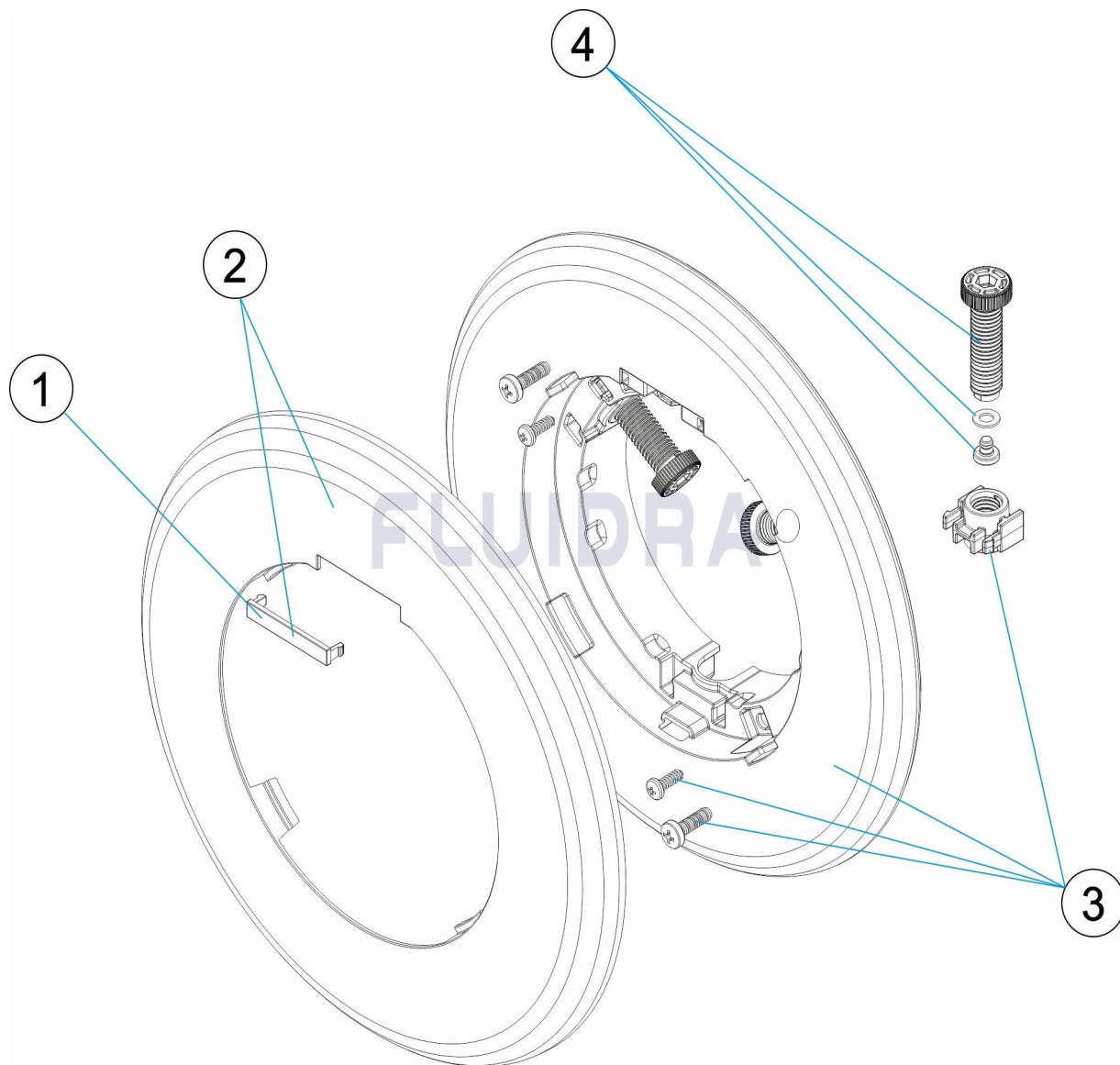
DESCRIZIONE: **PROIETTORE PLACCA FLEXINICHE**

OSSERVAZIONI

POS	CODICE	OSSERVAZIONI
1	* 4403010087	PER: 71209 WHITE
1	* 4403010119	PER: 71209CL090 BEIGE
1	* 4403010120	PER: 71209CL129 GREY
1	* 4403010121	PER: 71209CL144 ANTHRACITE
2	* 4403010122	PER: 71209 WHITE
2	* 4403010123	PER: 71209CL090 BEIGE
2	* 4403010124	PER: 71209CL129 GREY
2	* 4403010125	PER: 71209CL144 ANTHRACITE

CODE 71209, 71209CL090, 71209CL129, 71209CL144

BESCHREIBUNG: UWS BLENDE FLEXINICHE



DEUTSCH

POS	CODE	BESCHREIBUNG	MENGE	POS	CODE	BESCHREIBUNG	MENGE
1	* 4403010087	DEKO-ABSCHLUSS PURE WHITE		2	* 4403010123	BLLENDE FLEXINICHE	
1	* 4403010119	DEKO-ABSCHLUSS		2	* 4403010124	BLLENDE FLEXINICHE	
1	* 4403010120	DEKO-ABSCHLUSS		2	* 4403010125	BLLENDE FLEXINICHE	
1	* 4403010121	DEKO-ABSCHLUSS		3	4403010126	FIXIE FLEXINICHE	
2	* 4403010122	BLLENDE FLEXINICHE		4	4403010127	FIXIERSCHRAUBEN FLEXINICHE	

CODE **71209, 71209CL090, 71209CL129, 71209CL144**

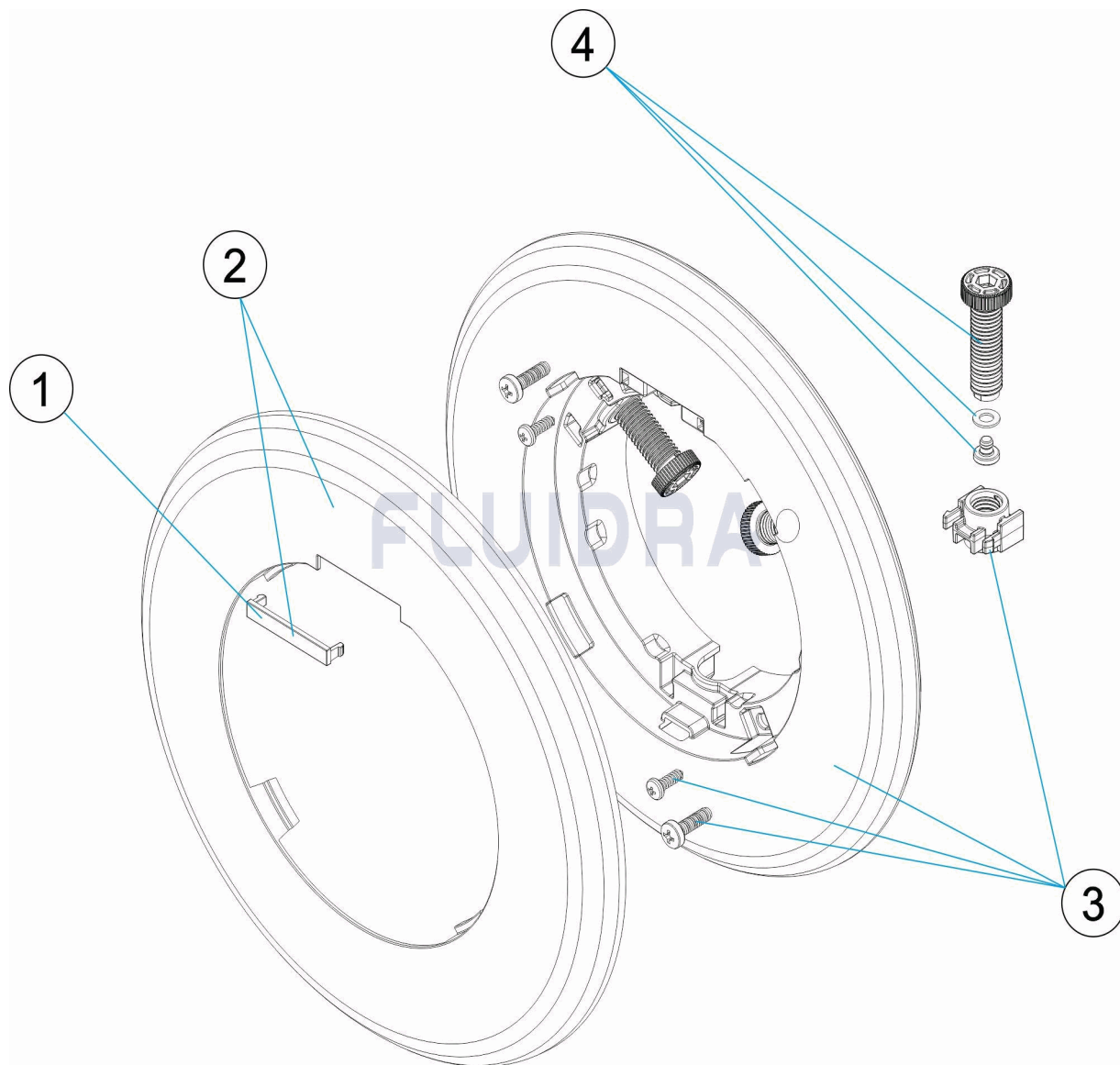
BESCHREIBUNG: **UWS BLENDE FLEXINICHE**

HINWEISE

POS	CODE	HINWEISE
1	* 4403010087	FÜR: 71209 WHITE
1	* 4403010119	FÜR: 71209CL090 BEIGE
1	* 4403010120	FÜR: 71209CL129 GREY
1	* 4403010121	FÜR: 71209CL144 ANTHRACITE
2	* 4403010122	FÜR: 71209 WHITE
2	* 4403010123	FÜR: 71209CL090 BEIGE
2	* 4403010124	FÜR: 71209CL129 GREY
2	* 4403010125	FÜR: 71209CL144 ANTHRACITE

CODIGO 71209, 71209CL090, 71209CL129, 71209CL144

DESCRIÇÃO: PROJECTOR PLACA DECORATIVA FLEXINICHE



PORTUGUES

POS	CODIGO	DESCRIÇÃO	JANTIDADE	POS	CODIGO	DESCRIÇÃO	JANTIDADE
1	* 4403010087	TAMPA EMBELEZADORA PURE WHITE		2	* 4403010123	EMBELEZADOR FLEXINICHE	
1	* 4403010119	TAMPA EMBELEZADORA		2	* 4403010124	EMBELEZADOR FLEXINICHE	
1	* 4403010120	TAMPA EMBELEZADORA		2	* 4403010125	EMBELEZADOR FLEXINICHE	
1	* 4403010121	TAMPA EMBELEZADORA		3	4403010126	FIXAÇÃO FLEXINICHE	
2	* 4403010122	EMBELEZADOR FLEXINICHE		4	4403010127	PORCAS E PARAFUSOS FIXAÇÃO FLEXINIC	

CODIGO **71209, 71209CL090, 71209CL129, 71209CL144**

DESCRIÇÃO: PROJECTOR PLACA DECORATIVA FLEXINICHE

OBSERVAÇÕES

POS	CODIGO	OBSERVAÇÕES
1	* 4403010087	PARA: 71209 WHITE
1	* 4403010119	PARA: 71209CL090 BEIGE
1	* 4403010120	PARA: 71209CL129 GREY
1	* 4403010121	PARA: 71209CL144 ANTHRACITE
2	* 4403010122	PARA: 71209 WHITE
2	* 4403010123	PARA: 71209CL090 BEIGE
2	* 4403010124	PARA: 71209CL129 GREY
2	* 4403010125	PARA: 71209CL144 ANTHRACITE