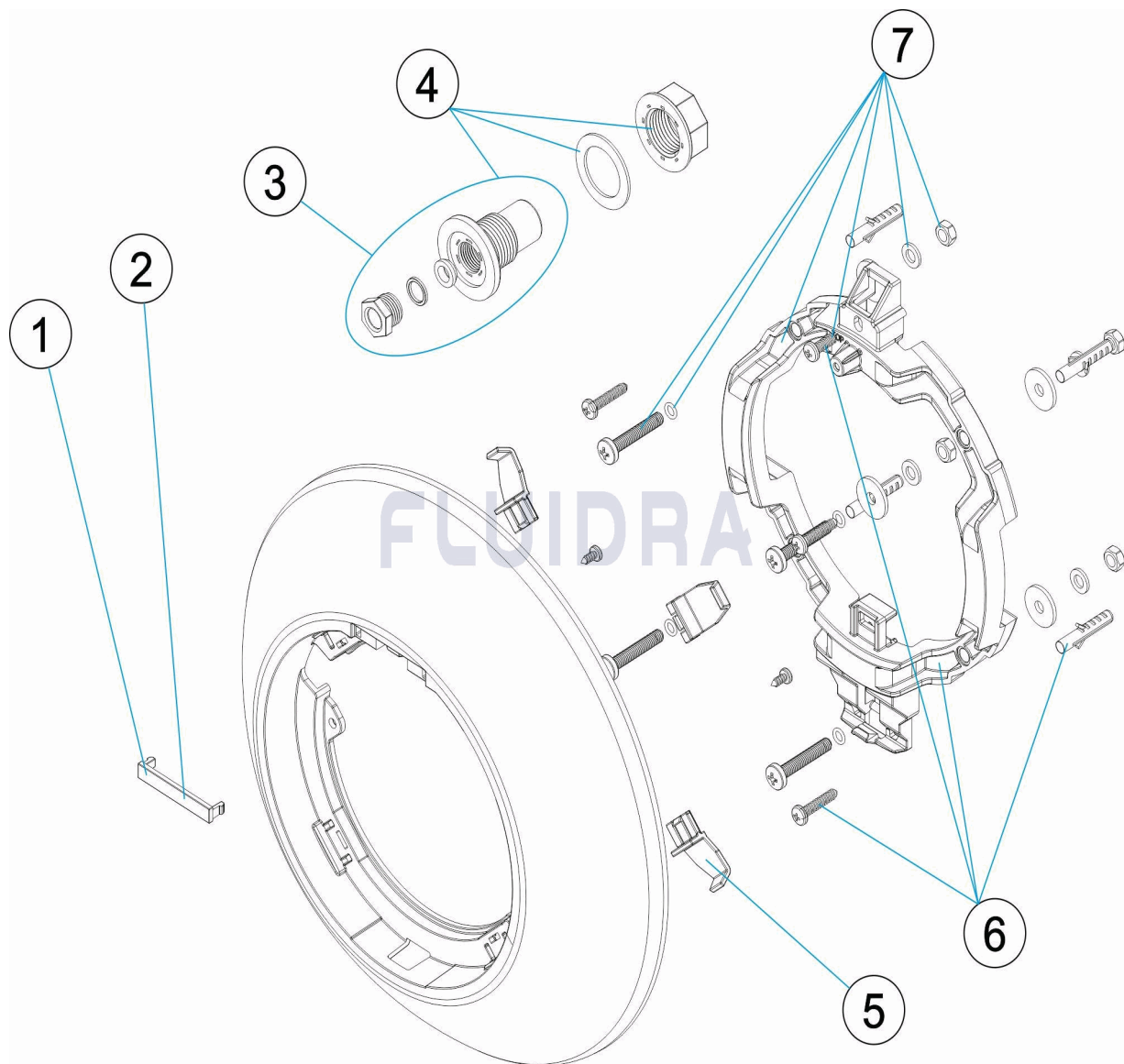


CODIGO 71210, 71210CL090, 71210CL129, 71210CL144

DESCRIPCION: EMBELLECEDOR FLEXISLIM



ESPAÑOL

POS	CODIGO	DESCRIPCION	CANTIDAD	POS	CODIGO	DESCRIPCION	CANTIDAD
1	* 4403010087	TAPETA EMBELLECEDORA PURE WHITE		2	* 4403010136	EMBELLECEDOR FLEXISLIM	
1	* 4403010119	TAPETA EMBELLECEDORA		3	* 4403011907	PASACABLES	
1	* 4403010120	TAPETA EMBELLECEDORA		4	* 4403012307	PASACABLES	
1	* 4403010121	TAPETA EMBELLECEDORA		5	4403010137	GANCHO SOPORTE PROYECTOR	
2	* 4403010133	EMBELLECEDOR FLEXISLIM		6	* 4403010138	SOPORTE PROYECTOR	
2	* 4403010134	EMBELLECEDOR FLEXISLIM		7	* 4403010139	SOPORTE PROYECTOR	
2	* 4403010135	EMBELLECEDOR FLEXISLIM					

CODIGO 71210, 71210CL090, 71210CL129, 71210CL144

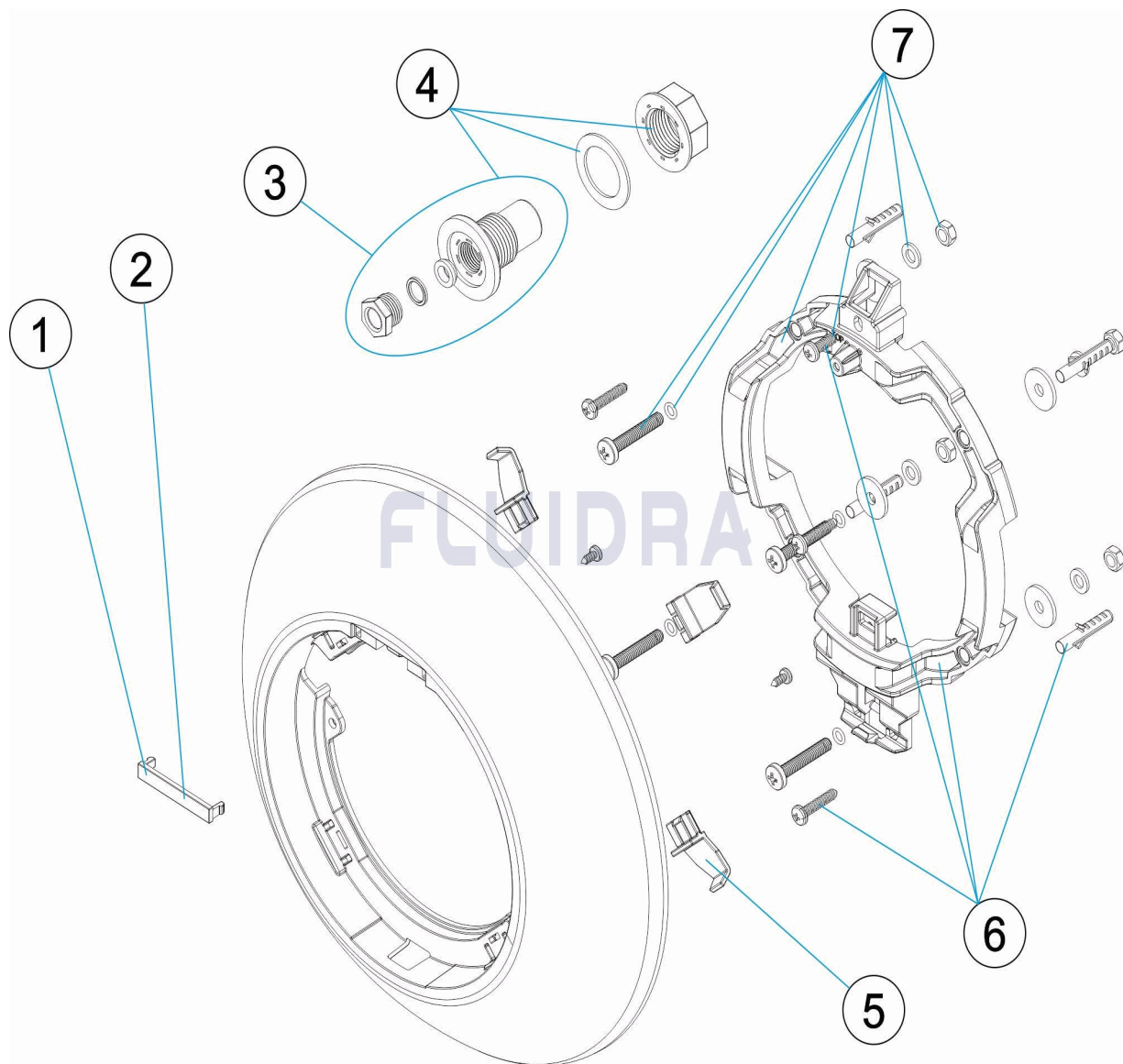
DESCRIPCION: EMBELLECEDOR FLEXISLIM

OBSERVACIONES

POS	CODIGO	OBSERVACIONES
1	* 4403010087	PARA: 71210 WHITE
1	* 4403010119	PARA: 71210CL090 BEIGE
1	* 4403010120	PARA: 71210CL129 GREY
1	* 4403010121	PARA: 71210CL144 ANTHRACITE
2	* 4403010133	PARA: 71210 WHITE
2	* 4403010134	PARA: 71210CL090 BEIGE
2	* 4403010135	PARA: 71210CL129 GREY
2	* 4403010136	PARA: 71210CL144 ANTHRACITE
3	* 4403011907	PARA: CONCRETE POOL
4	* 4403012307	PARA: PREFABRICATED POOL
6	* 4403010138	PARA: CONCRETE POOL
7	* 4403010139	PARA: PREFABRICATED POOL

CODE 71210, 71210CL090, 71210CL129, 71210CL144

DESCRIPTION: ENJOLIVEUR FLEXISLIM



FRANCAIS

POS	CODE	DESCRIPTION	QUANTITE	POS	CODE	DESCRIPTION	QUANTITE
1	* 4403010087	ENJOLIVEUR PURE WHITE		2	* 4403010136	ENJOLIVEUR FLEXISLIM	
1	* 4403010119	ENJOLIVEUR		3	* 4403011907	PASSE CABLE	
1	* 4403010120	ENJOLIVEUR		4	* 4403012307	PASSE CABLE	
1	* 4403010121	ENJOLIVEUR		5	4403010137	CROCHET SUPPORT PROJECTEUR	
2	* 4403010133	ENJOLIVEUR FLEXISLIM		6	* 4403010138	SUPPORT PROJECTEUR	
2	* 4403010134	ENJOLIVEUR FLEXISLIM		7	* 4403010139	SUPPORT PROJECTEUR	
2	* 4403010135	ENJOLIVEUR FLEXISLIM					

CODE **71210, 71210CL090, 71210CL129, 71210CL144**

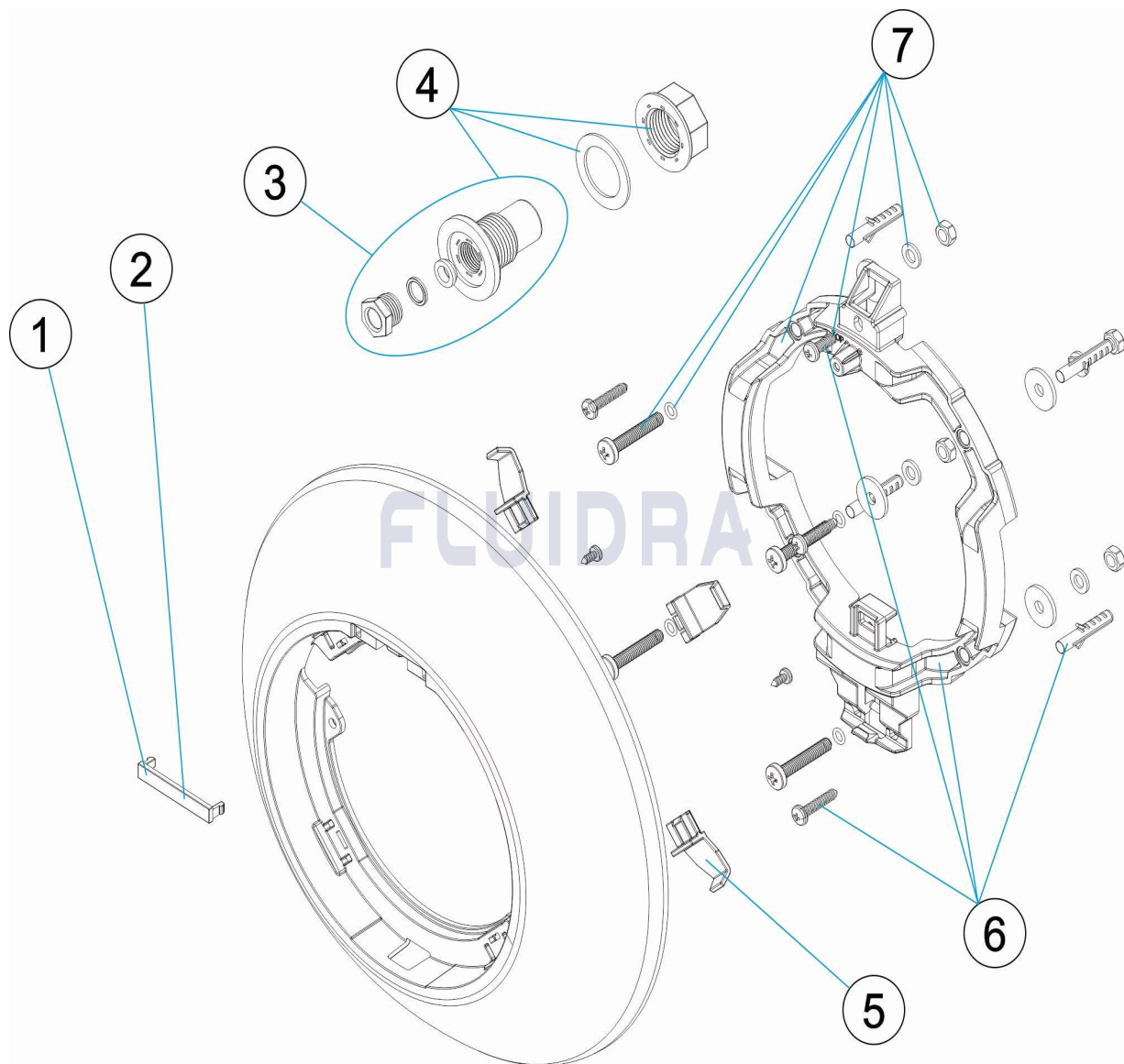
DESCRIPTION: **ENJOLIVEUR FLEXISLIM**

OBSERVATIONS

POS	CODE	OBSERVATIONS
1	* 4403010087	POUR: 71210 WHITE
1	* 4403010119	POUR: 71210CL090 BEIGE
1	* 4403010120	POUR: 71210CL129 GREY
1	* 4403010121	POUR: 71210CL144 ANTHRACITE
2	* 4403010133	POUR: 71210 WHITE
2	* 4403010134	POUR: 71210CL090 BEIGE
2	* 4403010135	POUR: 71210CL129 GREY
2	* 4403010136	POUR: 71210CL144 ANTHRACITE
3	* 4403011907	POUR: CONCRETE POOL
4	* 4403012307	POUR: PREFABRICATED POOL
6	* 4403010138	POUR: CONCRETE POOL
7	* 4403010139	POUR: PREFABRICATED POOL

CODE 71210, 71210CL090, 71210CL129, 71210CL144

DESCRIPTION: FLEXISLIM LIGHT COVER



ENGLISH

POS	CODE	DESCRIPTION	QUANTITY	POS	CODE	DESCRIPTION	QUANTITY
1	* 4403010087	ESCUTCHEON PURE WHITE		2	* 4403010136	FLEXISLIM FACEPLATE	
1	* 4403010119	ESCUTCHEON		3	* 4403011907	CONDUIT CONNECTOR	
1	* 4403010120	ESCUTCHEON		4	* 4403012307	CONDUIT CONNECTOR	
1	* 4403010121	ESCUTCHEON		5	4403010137	LIGHT SUPPORT HOOK	
2	* 4403010133	FLEXISLIM FACEPLATE		6	* 4403010138	LIGHT SUPPORT	
2	* 4403010134	FLEXISLIM FACEPLATE		7	* 4403010139	LIGHT SUPPORT	
2	* 4403010135	FLEXISLIM FACEPLATE					

CODE **71210, 71210CL090, 71210CL129, 71210CL144**

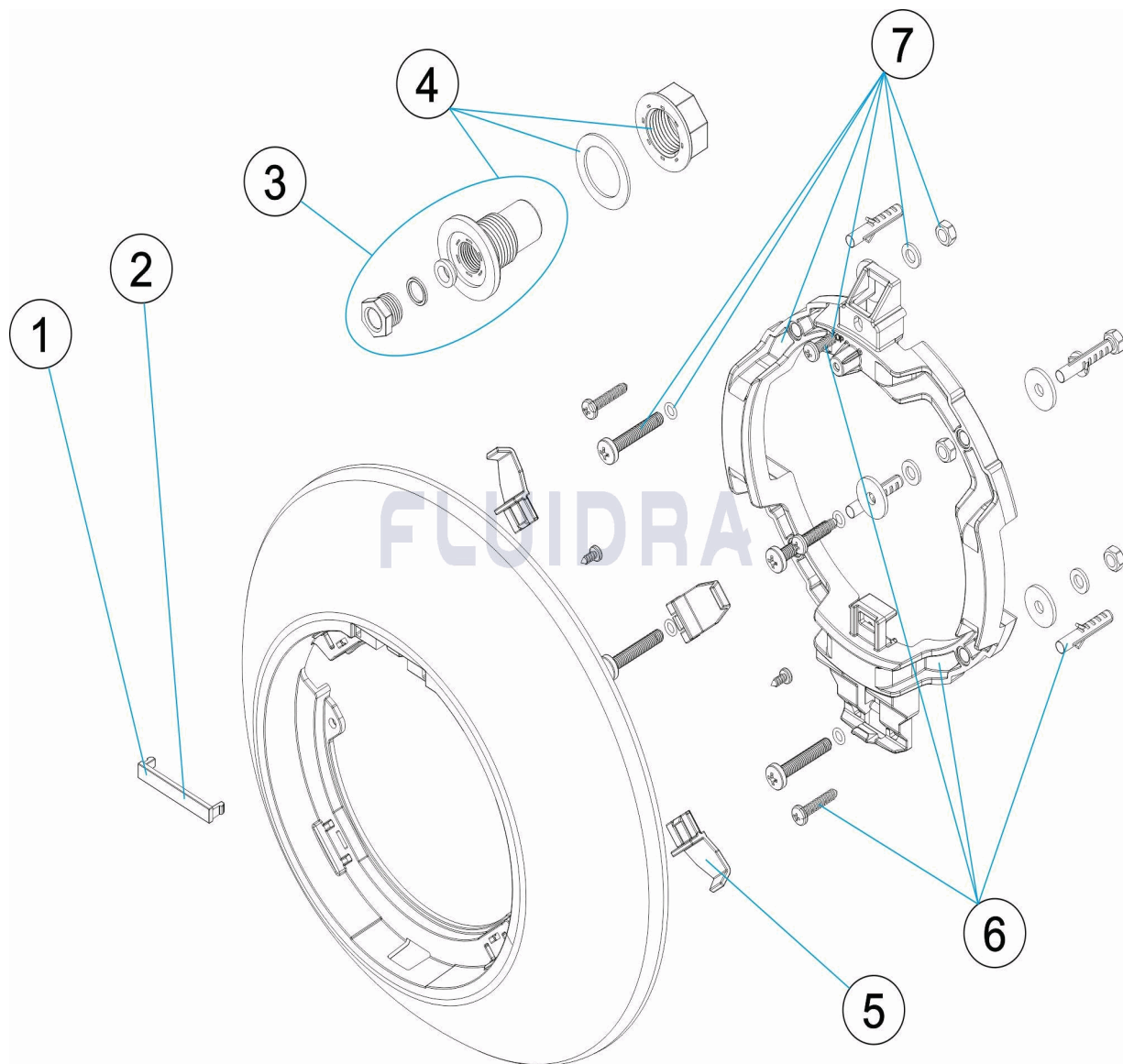
DESCRIPTION: **FLEXISLIM LIGHT COVER**

OBSERVATIONS

POS	CODE	OBSERVATIONS
1	* 4403010087	FOR: 71210 WHITE
1	* 4403010119	FOR: 71210CL090 BEIGE
1	* 4403010120	FOR: 71210CL129 GREY
1	* 4403010121	FOR: 71210CL144 ANTHRACITE
2	* 4403010133	FOR: 71210 WHITE
2	* 4403010134	FOR: 71210CL090 BEIGE
2	* 4403010135	FOR: 71210CL129 GREY
2	* 4403010136	FOR: 71210CL144 ANTHRACITE
3	* 4403011907	FOR: CONCRETE POOL
4	* 4403012307	FOR: PREFABRICATED POOL
6	* 4403010138	FOR: CONCRETE POOL
7	* 4403010139	FOR: PREFABRICATED POOL

CODICE 71210, 71210CL090, 71210CL129, 71210CL144

DESCRIZIONE: PROIETTORE PLACCA FLEXISLIM



ITALIANO

POS	CODICE	DESCRIZIONE	QUANTITA'	POS	CODICE	DESCRIZIONE	QUANTITA'
1	* 4403010087	COPRIFLANGIA PURE WHITE		2	* 4403010136	ANELLO FRONTALE FLEXISLIM	
1	* 4403010119	COPRIFLANGIA		3	* 4403011907	PRESSACAVO	
1	* 4403010120	COPRIFLANGIA		4	* 4403012307	PRESSACAVO	
1	* 4403010121	COPRIFLANGIA		5	4403010137	GANCIO SUPPORTO FARO	
2	* 4403010133	ANELLO FRONTALE FLEXISLIM		6	* 4403010138	SUPPORTO FARO	
2	* 4403010134	ANELLO FRONTALE FLEXISLIM		7	* 4403010139	SUPPORTO FARO	
2	* 4403010135	ANELLO FRONTALE FLEXISLIM					

CODICE **71210, 71210CL090, 71210CL129, 71210CL144**

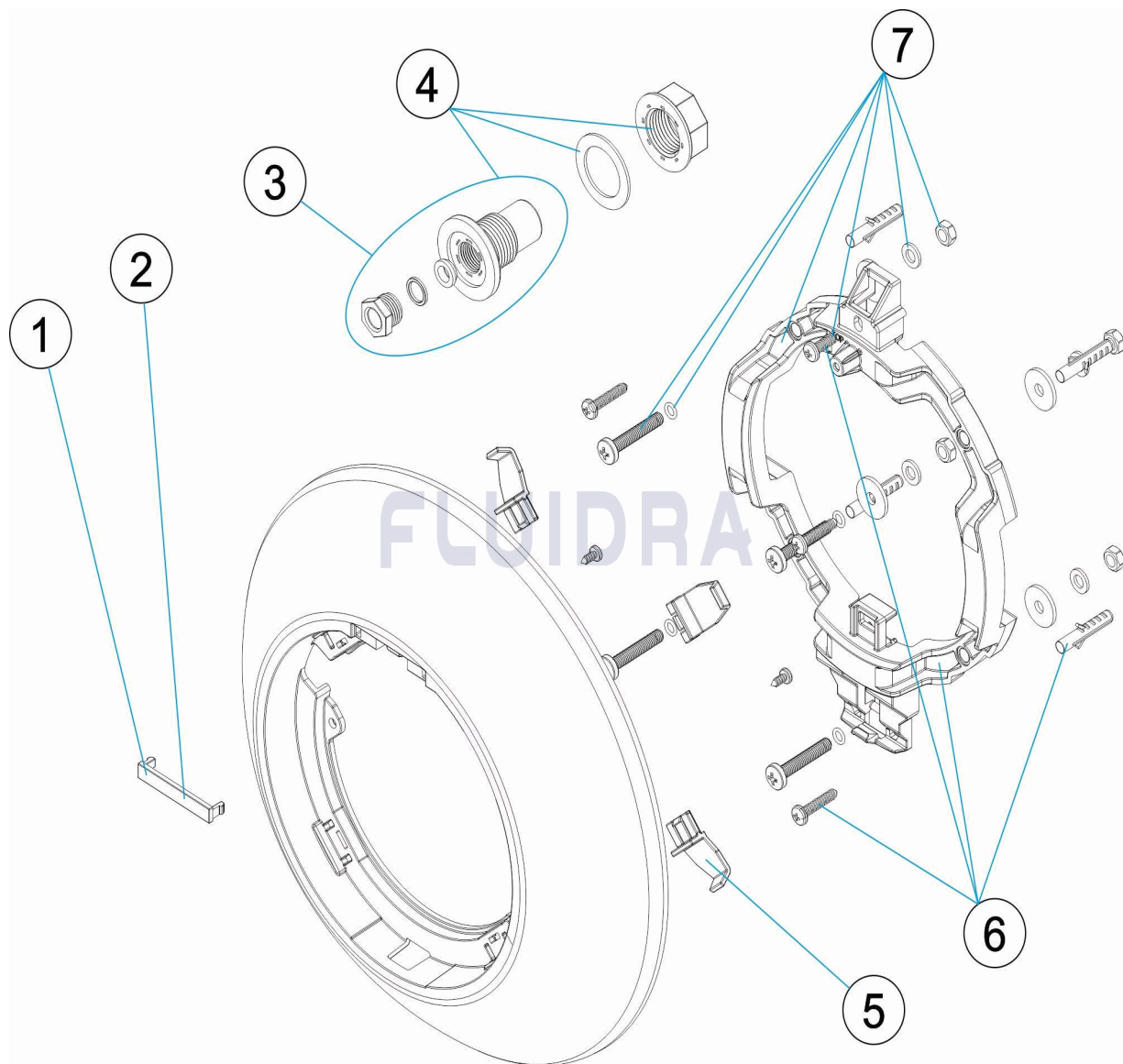
DESCRIZIONE: **PROIETTORE PLACCA FLEXISLIM**

OSSERVAZIONI

POS	CODICE	OSSERVAZIONI
1	* 4403010087	PER: 71210 WHITE
1	* 4403010119	PER: 71210CL090 BEIGE
1	* 4403010120	PER: 71210CL129 GREY
1	* 4403010121	PER: 71210CL144 ANTHRACITE
2	* 4403010133	PER: 71210 WHITE
2	* 4403010134	PER: 71210CL090 BEIGE
2	* 4403010135	PER: 71210CL129 GREY
2	* 4403010136	PER: 71210CL144 ANTHRACITE
3	* 4403011907	PER: CONCRETE POOL
4	* 4403012307	PER: PREFABRICATED POOL
6	* 4403010138	PER: CONCRETE POOL
7	* 4403010139	PER: PREFABRICATED POOL

CODE 71210, 71210CL090, 71210CL129, 71210CL144

BESCHREIBUNG: UWS BLENDE FLEXISLIM



DEUTSCH

POS	CODE	BESCHREIBUNG	MENGE	POS	CODE	BESCHREIBUNG	MENGE
1	* 4403010087	DEKO-ABSCHLUSS PURE WHITE		2	* 4403010136	BLENDE FLEXISLIM	
1	* 4403010119	DEKO-ABSCHLUSS		3	* 4403011907	KABELDURCHFÜHRUNG	
1	* 4403010120	DEKO-ABSCHLUSS		4	* 4403012307	KABELDURCHFÜHRUNG	
1	* 4403010121	DEKO-ABSCHLUSS		5	4403010137	HAKEN HALTERUNG UWS	
2	* 4403010133	BLENDE FLEXISLIM		6	* 4403010138	HALTERUNG UWS	
2	* 4403010134	BLENDE FLEXISLIM		7	* 4403010139	HALTERUNG UWS	
2	* 4403010135	BLENDE FLEXISLIM					

CODE **71210, 71210CL090, 71210CL129, 71210CL144**

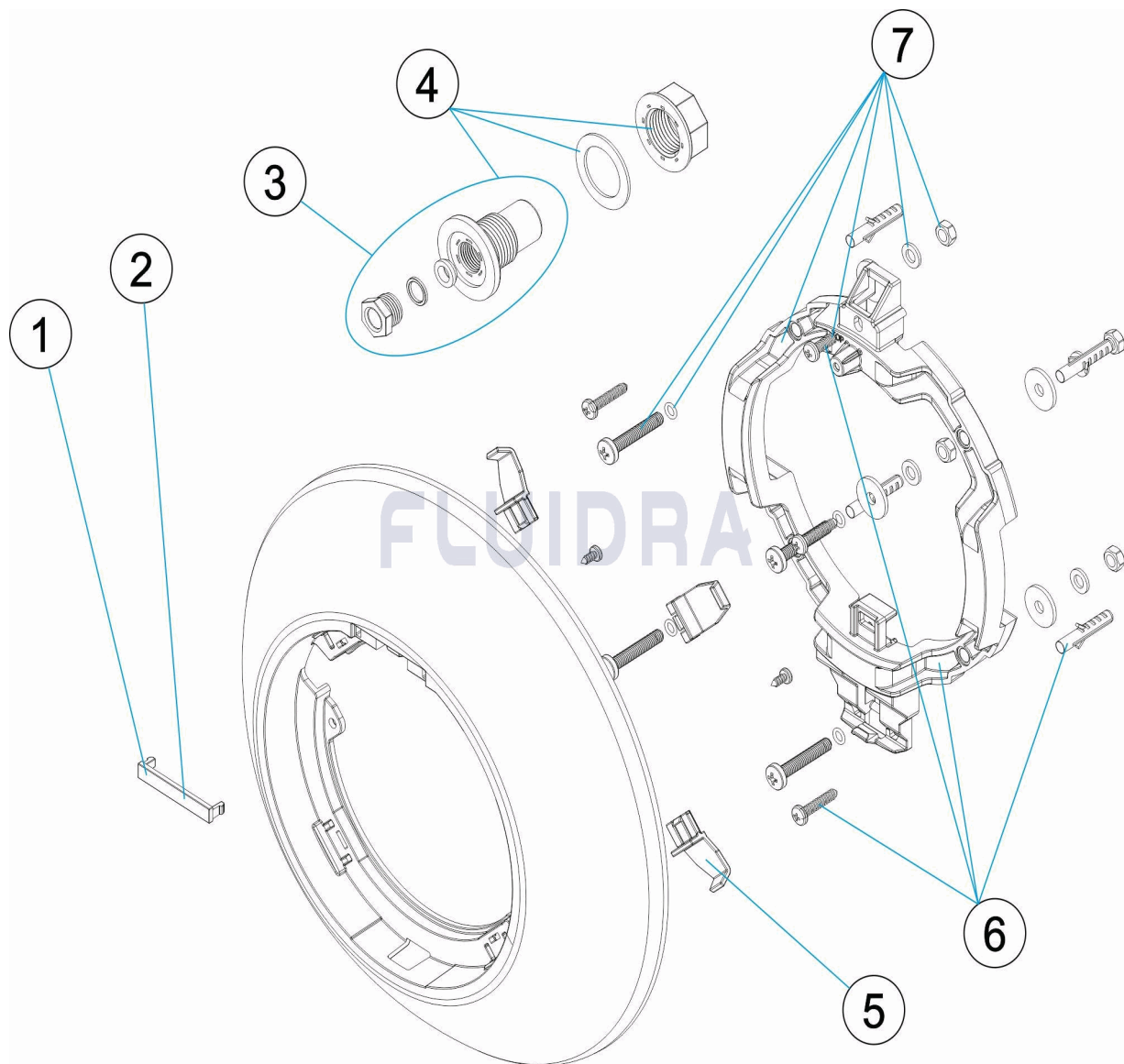
BESCHREIBUNG: **UWS BLENDE FLEXISLIM**

HINWEISE

POS	CODE	HINWEISE
1	* 4403010087	FÜR: 71210 WHITE
1	* 4403010119	FÜR: 71210CL090 BEIGE
1	* 4403010120	FÜR: 71210CL129 GREY
1	* 4403010121	FÜR: 71210CL144 ANTHRACITE
2	* 4403010133	FÜR: 71210 WHITE
2	* 4403010134	FÜR: 71210CL090 BEIGE
2	* 4403010135	FÜR: 71210CL129 GREY
2	* 4403010136	FÜR: 71210CL144 ANTHRACITE
3	* 4403011907	FÜR: CONCRETE POOL
4	* 4403012307	FÜR: PREFABRICATED POOL
6	* 4403010138	FÜR: CONCRETE POOL
7	* 4403010139	FÜR: PREFABRICATED POOL

CODIGO 71210, 71210CL090, 71210CL129, 71210CL144

DESCRIÇÃO: PROJECTOR PLACA DECORATIVA FLEXISLIM



PORTUGUES

POS	CODIGO	DESCRIÇÃO	JANTIDADE	POS	CODIGO	DESCRIÇÃO	JANTIDADE
1	* 4403010087	TAMPA EMBELEZADORA PURE WHITE		2	* 4403010136	EMBELEZADOR FLEXISLIM	
1	* 4403010119	TAMPA EMBELEZADORA		3	* 4403011907	PASSA-CABOS	
1	* 4403010120	TAMPA EMBELEZADORA		4	* 4403012307	PASSA-CABOS	
1	* 4403010121	TAMPA EMBELEZADORA		5	4403010137	GANCHO SUPORTE PROJECTOR	
2	* 4403010133	EMBELEZADOR FLEXISLIM		6	* 4403010138	SUPORTE PROJECTOR	
2	* 4403010134	EMBELEZADOR FLEXISLIM		7	* 4403010139	SUPORTE PROJECTOR	
2	* 4403010135	EMBELEZADOR FLEXISLIM					

CODIGO **71210, 71210CL090, 71210CL129, 71210CL144**

DESCRIÇÃO: PROJECTOR PLACA DECORATIVA FLEXISLIM

OBSERVAÇÕES

POS	CODIGO	OBSERVAÇÕES
1	* 4403010087	PARA: 71210 WHITE
1	* 4403010119	PARA: 71210CL090 BEIGE
1	* 4403010120	PARA: 71210CL129 GREY
1	* 4403010121	PARA: 71210CL144 ANTHRACITE
2	* 4403010133	PARA: 71210 WHITE
2	* 4403010134	PARA: 71210CL090 BEIGE
2	* 4403010135	PARA: 71210CL129 GREY
2	* 4403010136	PARA: 71210CL144 ANTHRACITE
3	* 4403011907	PARA: CONCRETE POOL
4	* 4403012307	PARA: PREFABRICATED POOL
6	* 4403010138	PARA: CONCRETE POOL
7	* 4403010139	PARA: PREFABRICATED POOL