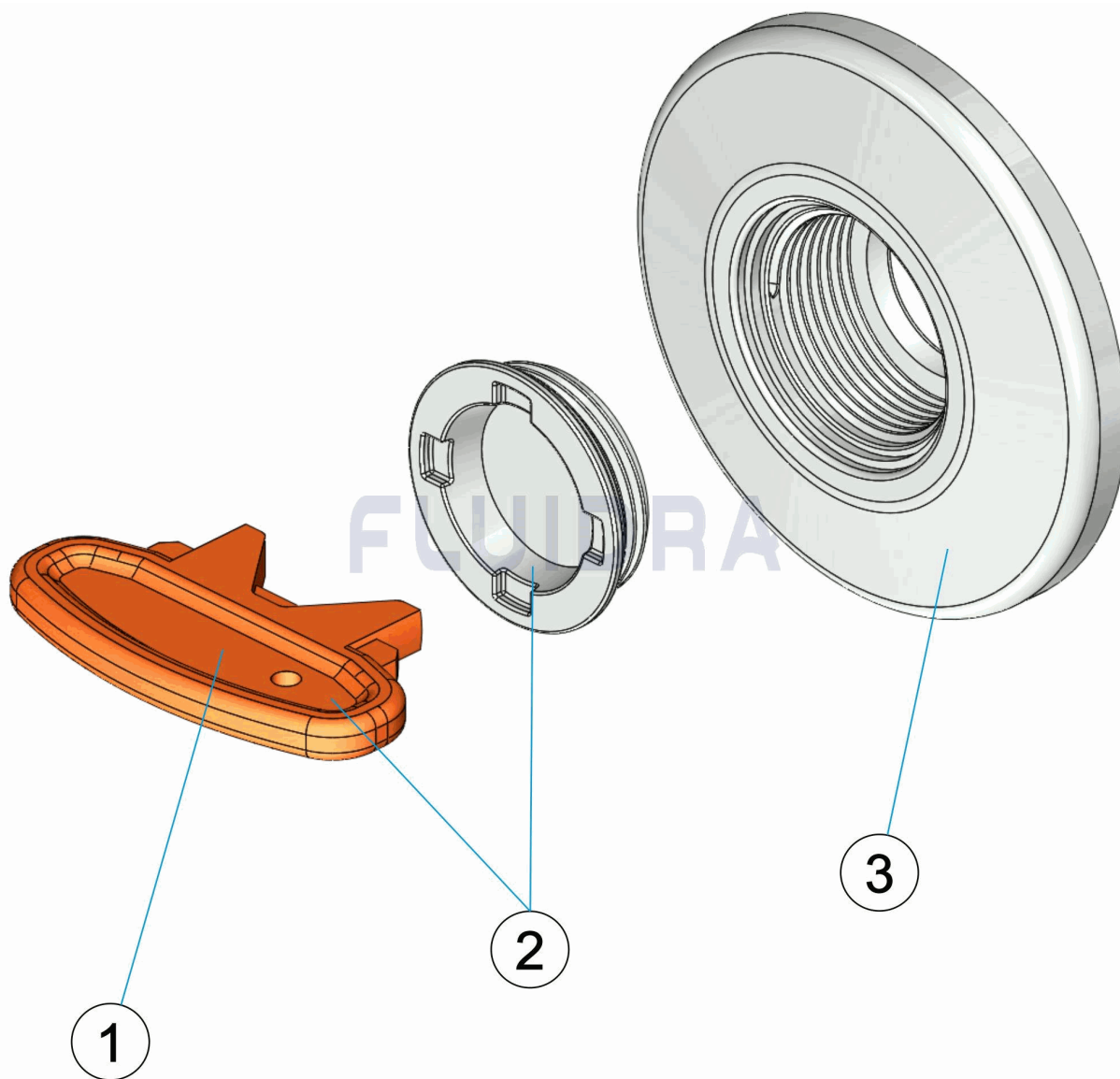


CODIGO **72672, 72672CL090, 72672CL129, 72672CL144**

DESCRIPCION: **BOQUILLA ASPIRACION ROSCA INT. 1 1/2"**



ESPAÑOL

POS	CODIGO	DESCRIPCION	CANTIDAD	POS	CODIGO	DESCRIPCION	CANTIDAD
1	4402040304	LLAVE BOQUILLA		3	* 4402040002	CUERPO BOQUILLA IMPULSION	
2	* 4402040032	TAPON BOQUILLA		3	* 4402040097	CUERPO BOQUILLA IMPULSION	
2	* 4402040094	TAPON BOQUILLA		3	* 4402040098	CUERPO BOQUILLA IMPULSION	
2	* 4402040095	TAPON BOQUILLA		3	* 4402040099	CUERPO BOQUILLA IMPULSION	
2	* 4402040096	TAPON BOQUILLA					

CODIGO 72672, 72672CL090, 72672CL129, 72672CL144

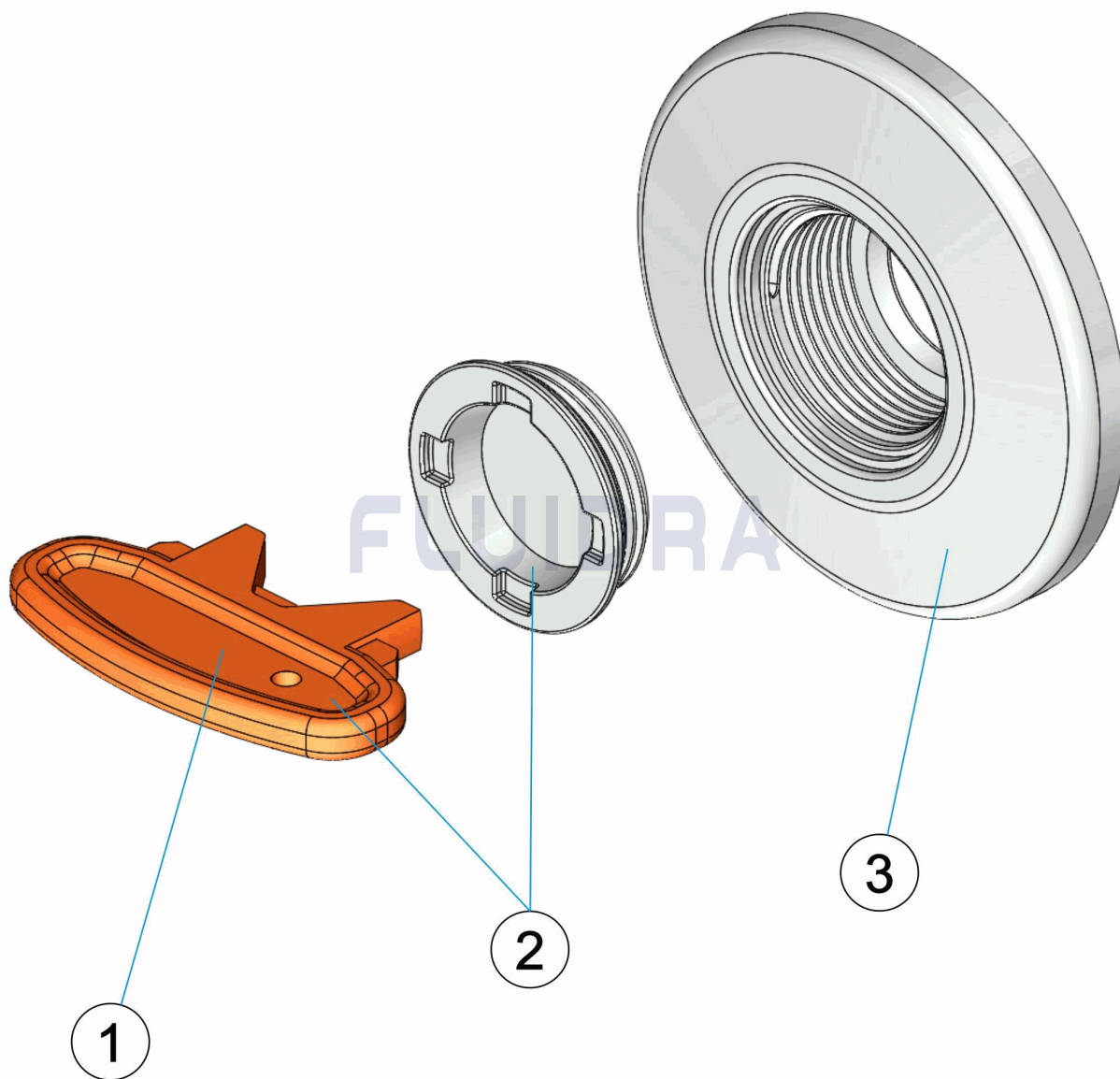
DESCRIPCION: BOQUILLA ASPIRACION ROSCA INT. 1 1/2"

OBSERVACIONES

POS	CODIGO	OBSERVACIONES
2	* 4402040032	PARA: 72672 WHITE
2	* 4402040094	PARA: 72672CL090 BEIGE
2	* 4402040095	PARA: 72672CL129 GREY
2	* 4402040096	PARA: 72672CL144 ANTHRACITE
3	* 4402040002	PARA: 72672 WHITE
3	* 4402040097	PARA: 72672CL090 BEIGE
3	* 4402040098	PARA: 72672CL129 GREY
3	* 4402040099	PARA: 72672CL144 ANTHRACITE

CODE 72672, 72672CL090, 72672CL129, 72672CL144

DESCRIPTION: BOUCHE ASPIRATION VIS INT. 1 1/2"



FRANCAIS

POS	CODE	DESCRIPTION	QUANTITE	POS	CODE	DESCRIPTION	QUANTITE
1	4402040304	CLEF POUR BUSE		3	* 4402040002	CORPS BUSE REFOULEMENT	
2	* 4402040032	BOUCHON DE BOUCHE		3	* 4402040097	CORPS BUSE REFOULEMENT	
2	* 4402040094	BOUCHON DE BOUCHE		3	* 4402040098	CORPS BUSE REFOULEMENT	
2	* 4402040095	BOUCHON DE BOUCHE		3	* 4402040099	CORPS BUSE REFOULEMENT	
2	* 4402040096	BOUCHON DE BOUCHE					

CODE **72672, 72672CL090, 72672CL129, 72672CL144**

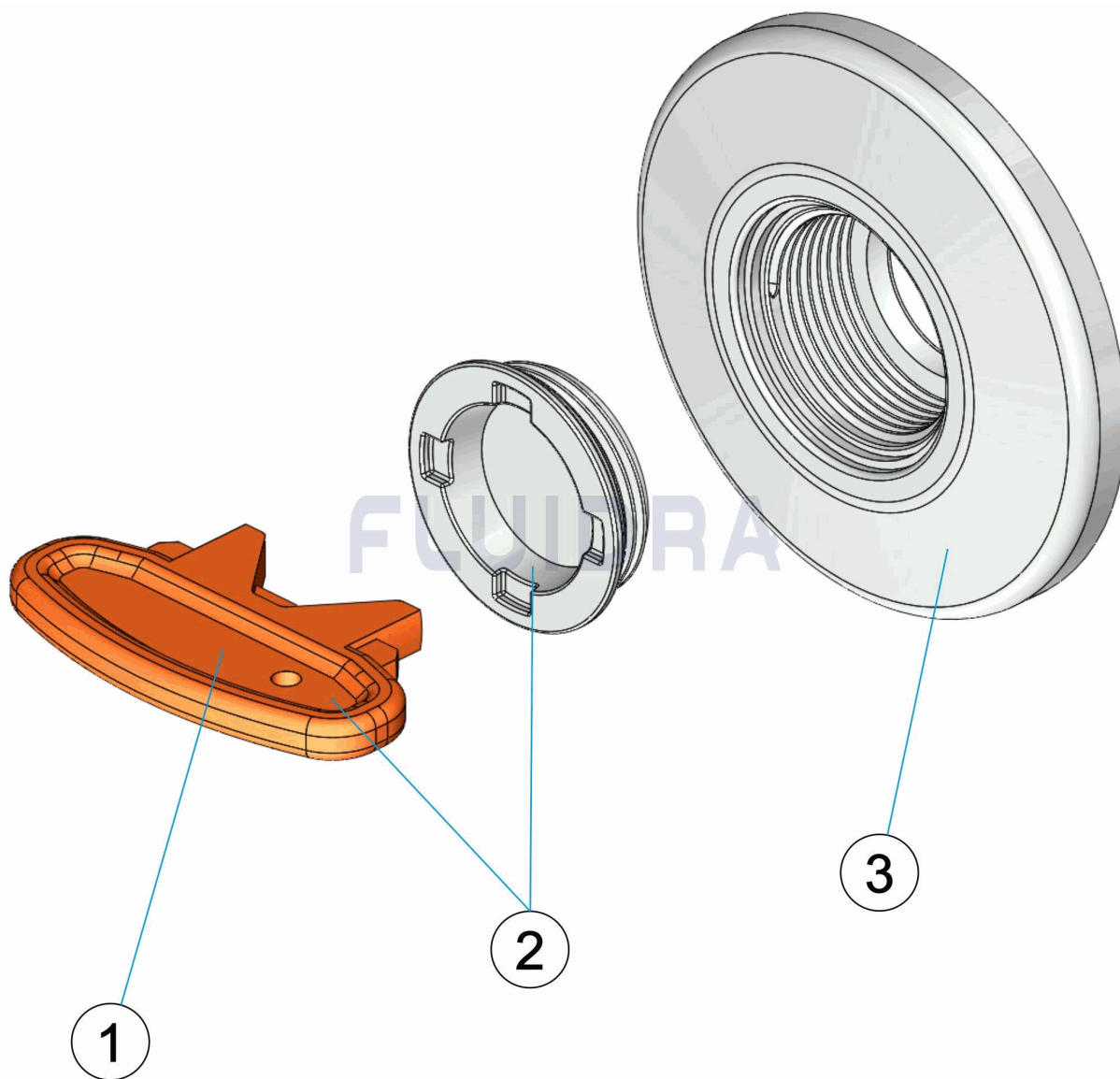
DESCRIPTION: **BOUCHE ASPIRATION VIS INT. 1 ½"**

OBSERVATIONS

POS	CODE	OBSERVATIONS
2	* 4402040032	POUR: 72672 WHITE
2	* 4402040094	POUR: 72672CL090 BEIGE
2	* 4402040095	POUR: 72672CL129 GREY
2	* 4402040096	POUR: 72672CL144 ANTHRACITE
3	* 4402040002	POUR: 72672 WHITE
3	* 4402040097	POUR: 72672CL090 BEIGE
3	* 4402040098	POUR: 72672CL129 GREY
3	* 4402040099	POUR: 72672CL144 ANTHRACITE

CODE 72672, 72672CL090, 72672CL129, 72672CL144

DESCRIPTION: SCREW-IN SUCTION NOZZLE INT. 1 1/2"



ENGLISH

POS	CODE	DESCRIPTION	QUANTITY	POS	CODE	DESCRIPTION	QUANTITY
1	4402040304	KEY FOR INLET		3	* 4402040002	RETURN INLET BODY	
2	* 4402040032	INLET CAP		3	* 4402040097	RETURN INLET BODY	
2	* 4402040094	INLET CAP		3	* 4402040098	RETURN INLET BODY	
2	* 4402040095	INLET CAP		3	* 4402040099	RETURN INLET BODY	
2	* 4402040096	INLET CAP					

CODE **72672, 72672CL090, 72672CL129, 72672CL144**

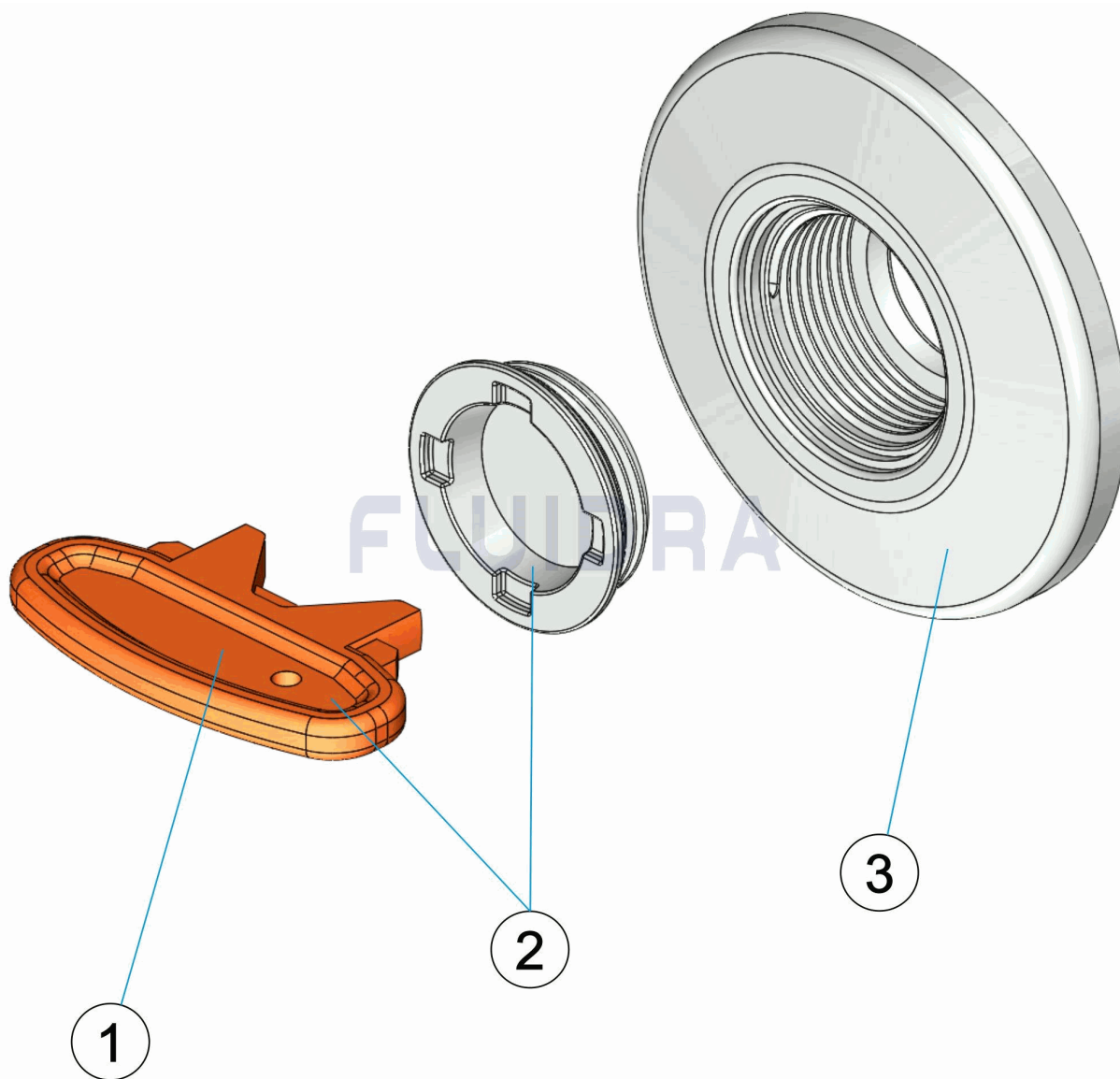
DESCRIPTION: **SCREW-IN SUCTION NOZZLE INT. 1 1/2"**

OBSERVATIONS

POS	CODE	OBSERVATIONS
2	* 4402040032	FOR: 72672 WHITE
2	* 4402040094	FOR: 72672CL090 BEIGE
2	* 4402040095	FOR: 72672CL129 GREY
2	* 4402040096	FOR: 72672CL144 ANTHRACITE
3	* 4402040002	FOR: 72672 WHITE
3	* 4402040097	FOR: 72672CL090 BEIGE
3	* 4402040098	FOR: 72672CL129 GREY
3	* 4402040099	FOR: 72672CL144 ANTHRACITE

CODICE 72672, 72672CL090, 72672CL129, 72672CL144

DESCRIZIONE: BOCCHETTA ASPIRAZIONE FILETTO INT. 1 1/2"



ITALIANO

POS	CODICE	DESCRIZIONE	QUANTITA'	POS	CODICE	DESCRIZIONE	QUANTITA'
1	4402040304	CHIAVE		3	* 4402040002	CORPO BOCCHETTA IMPULSIONE	
2	* 4402040032	COPERCHIO BOCCHETTA		3	* 4402040097	CORPO BOCCHETTA IMPULSIONE	
2	* 4402040094	COPERCHIO BOCCHETTA		3	* 4402040098	CORPO BOCCHETTA IMPULSIONE	
2	* 4402040095	COPERCHIO BOCCHETTA		3	* 4402040099	CORPO BOCCHETTA IMPULSIONE	
2	* 4402040096	COPERCHIO BOCCHETTA					

CODICE **72672, 72672CL090, 72672CL129, 72672CL144**

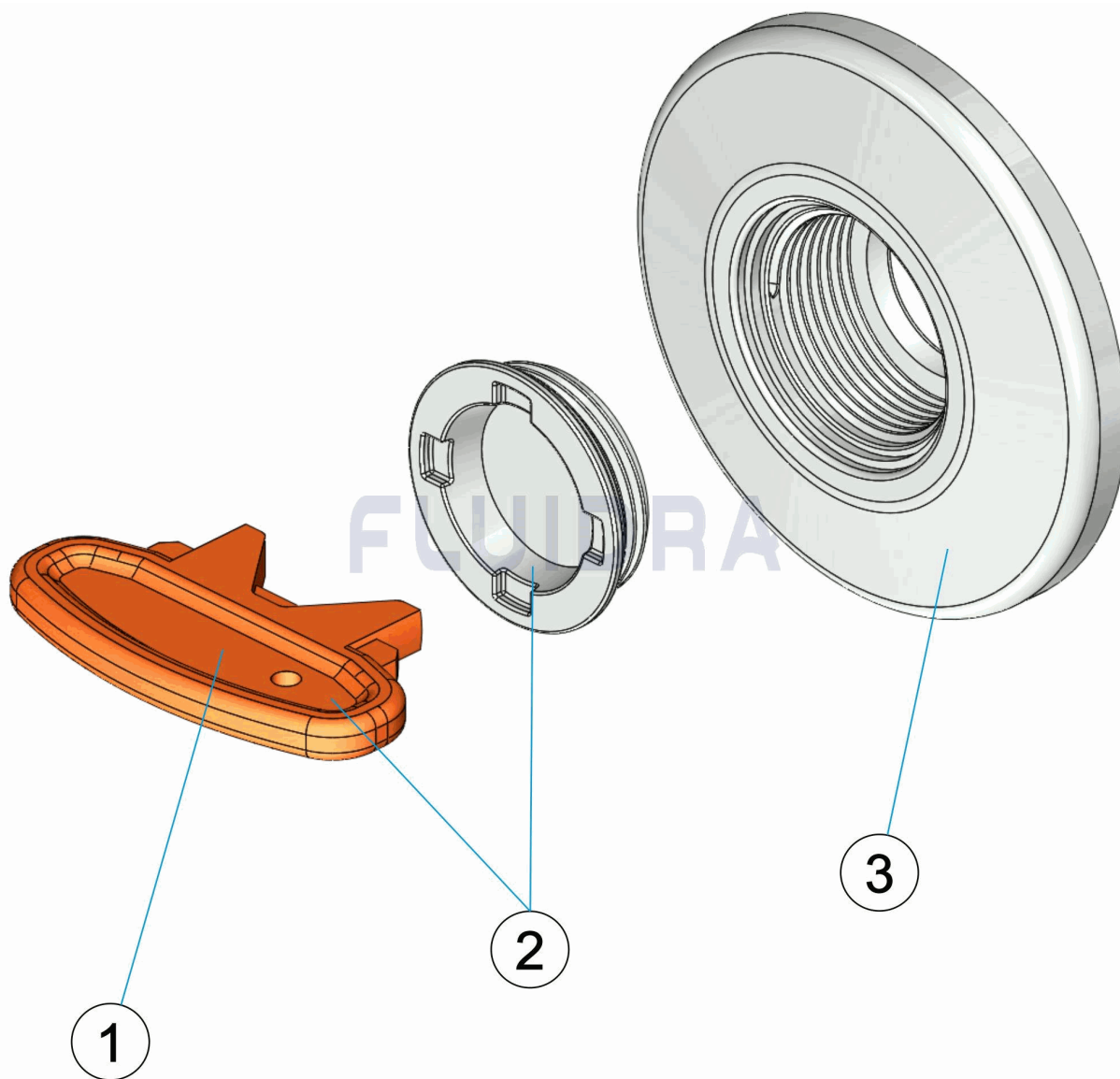
DESCRIZIONE: BOCCHETTA ASPIRAZIONE FILETTO INT. 1 ½"

OSSERVAZIONI

POS	CODICE	OSSERVAZIONI
2	* 4402040032	PER: 72672 WHITE
2	* 4402040094	PER: 72672CL090 BEIGE
2	* 4402040095	PER: 72672CL129 GREY
2	* 4402040096	PER: 72672CL144 ANTHRACITE
3	* 4402040002	PER: 72672 WHITE
3	* 4402040097	PER: 72672CL090 BEIGE
3	* 4402040098	PER: 72672CL129 GREY
3	* 4402040099	PER: 72672CL144 ANTHRACITE

CODE 72672, 72672CL090, 72672CL129, 72672CL144

BESCHREIBUNG: ANSAUGDÜSE GEWINDE INT. 1 1/2"



DEUTSCH

POS	CODE	BESCHREIBUNG	MENGE	POS	CODE	BESCHREIBUNG	MENGE
1	4402040304	SCHLÜSSEL DÜSE		3	* 4402040002	GEHÄUSE EINLAUFDÜSE	
2	* 4402040032	STOPFEN DÜSE		3	* 4402040097	GEHÄUSE EINLAUFDÜSE	
2	* 4402040094	STOPFEN DÜSE		3	* 4402040098	GEHÄUSE EINLAUFDÜSE	
2	* 4402040095	STOPFEN DÜSE		3	* 4402040099	GEHÄUSE EINLAUFDÜSE	
2	* 4402040096	STOPFEN DÜSE					

CODE **72672, 72672CL090, 72672CL129, 72672CL144**

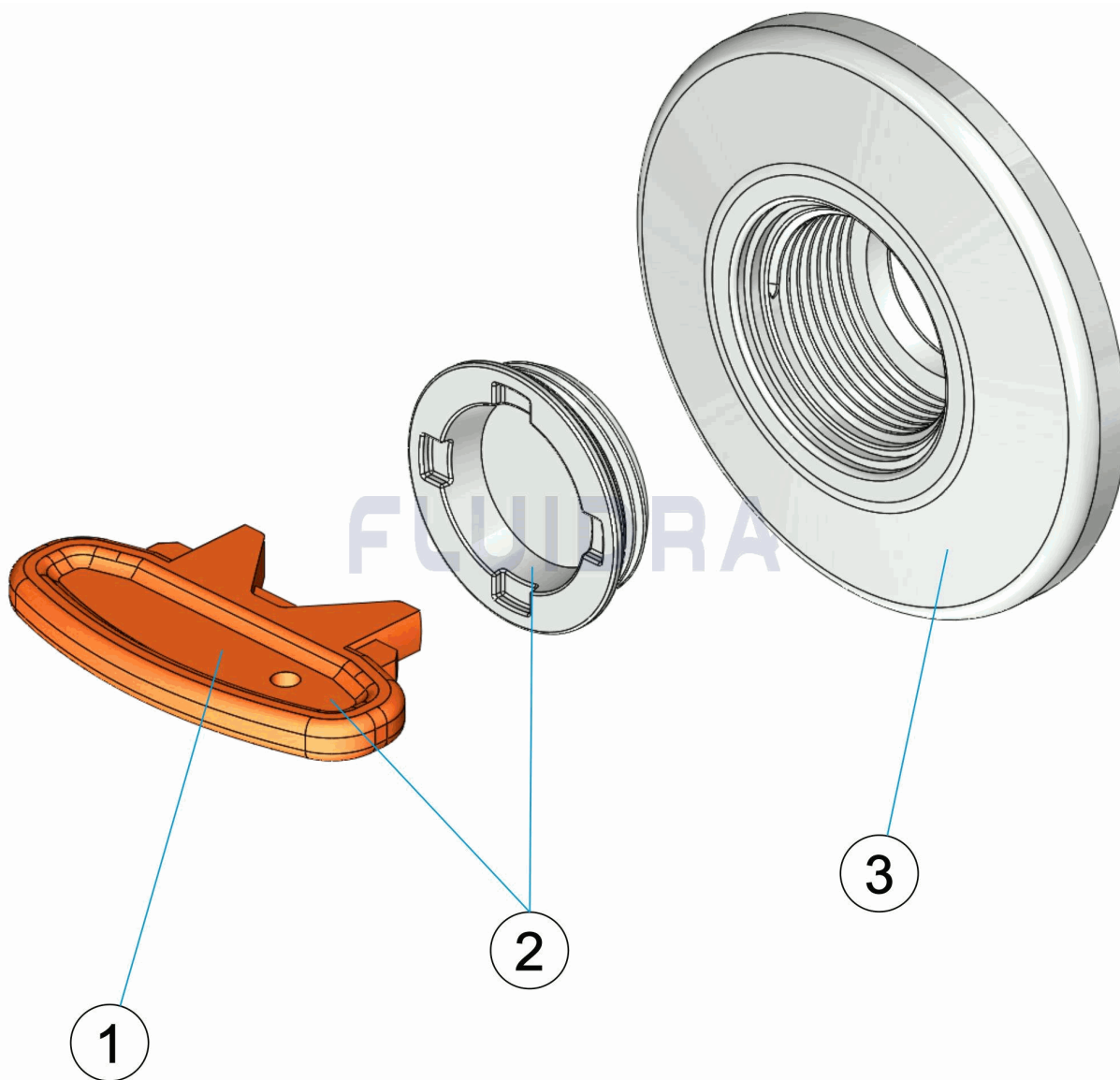
BESCHREIBUNG: **ANSAUGDÜSE GEWINDE INT. 1 1/2"**

HINWEISE

POS	CODE	HINWEISE
2	* 4402040032	FÜR: 72672 WHITE
2	* 4402040094	FÜR: 72672CL090 BEIGE
2	* 4402040095	FÜR: 72672CL129 GREY
2	* 4402040096	FÜR: 72672CL144 ANTHRACITE
3	* 4402040002	FÜR: 72672 WHITE
3	* 4402040097	FÜR: 72672CL090 BEIGE
3	* 4402040098	FÜR: 72672CL129 GREY
3	* 4402040099	FÜR: 72672CL144 ANTHRACITE

CODIGO 72672, 72672CL090, 72672CL129, 72672CL144

DESCRIÇÃO: BOQUILHA ASPIRAÇÃO ROSCA INT. 1 1/2"



PORTUGUES

POS	CODIGO	DESCRIÇÃO	JANTIDADE	POS	CODIGO	DESCRIÇÃO	JANTIDADE
1	4402040304	CHAVE BOCA		3	* 4402040002	CORPO BOQUILHA IMPULSÃO	
2	* 4402040032	TAMPÃO BOCA		3	* 4402040097	CORPO BOQUILHA IMPULSÃO	
2	* 4402040094	TAMPÃO BOCA		3	* 4402040098	CORPO BOQUILHA IMPULSÃO	
2	* 4402040095	TAMPÃO BOCA		3	* 4402040099	CORPO BOQUILHA IMPULSÃO	
2	* 4402040096	TAMPÃO BOCA					

CODIGO 72672, 72672CL090, 72672CL129, 72672CL144

DESCRIÇÃO: BOQUILHA ASPIRAÇÃO ROSCA INT. 1 1/2"

OBSERVAÇÕES

POS	CODIGO	OBSERVAÇÕES
2	* 4402040032	PARA: 72672 WHITE
2	* 4402040094	PARA: 72672CL090 BEIGE
2	* 4402040095	PARA: 72672CL129 GREY
2	* 4402040096	PARA: 72672CL144 ANTHRACITE
3	* 4402040002	PARA: 72672 WHITE
3	* 4402040097	PARA: 72672CL090 BEIGE
3	* 4402040098	PARA: 72672CL129 GREY
3	* 4402040099	PARA: 72672CL144 ANTHRACITE