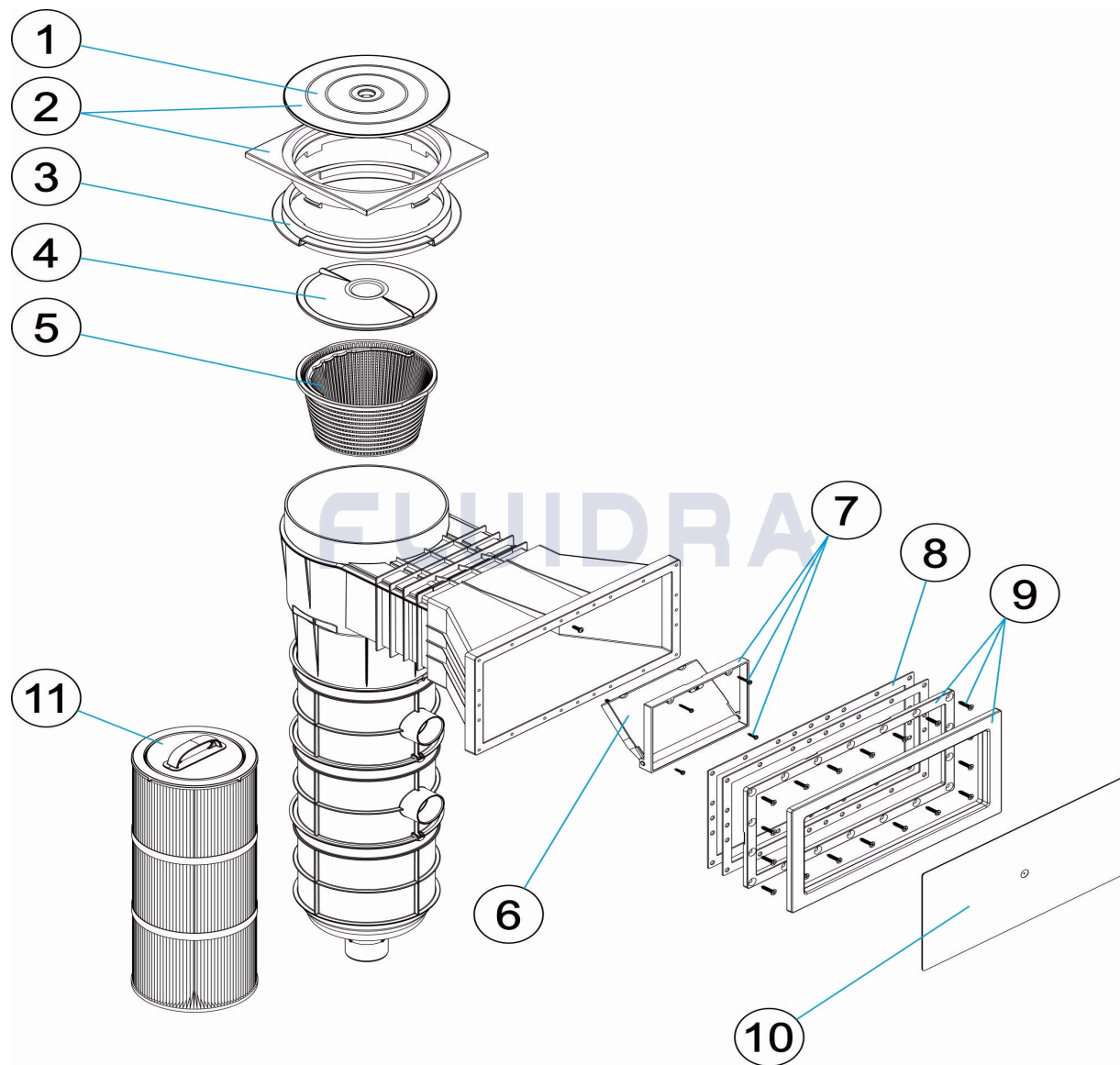


CODIGO 73159, 73162

DESCRIPCION: SKIMMER CARTUCHO PP 16-20



ESPAÑOL

POS	CODIGO	DESCRIPCION	CANTIDAD	POS	CODIGO	DESCRIPCION	CANTIDAD
1	4402013809	TAPA CIRCULAR SKIMMER		8	4402010407	JUNTA SKIMMER GRANDE PISC. PREF.	
2	4402013807	MARCO CUADRADO Y TAPA		9	4402012012	MARCO BOCA SKIMMER P.P.	
3	4402010506	ANILLO DISTANCIADOR SKIMMER		9	* 4402010169	MARCO BOCA SKIMMER P.P.	
4	4402010505	TAPA CESTO SKIMMER		10	4402010153	TAPA PROTECCION SKIMMER CARTUCHO	
5	4402010504	CESTO SKIMMER 17,5 LTS.		11	* 73164	CARTUCHO 16 M3/H	
6	4402010501	COMPUERTA SKIMMER CON CLIP		11	* 73165	CARTUCHO 20 M3/H	
7	4402010508	MARCO COMPUERTA SKIMMER					

CODIGO 73159, 73162

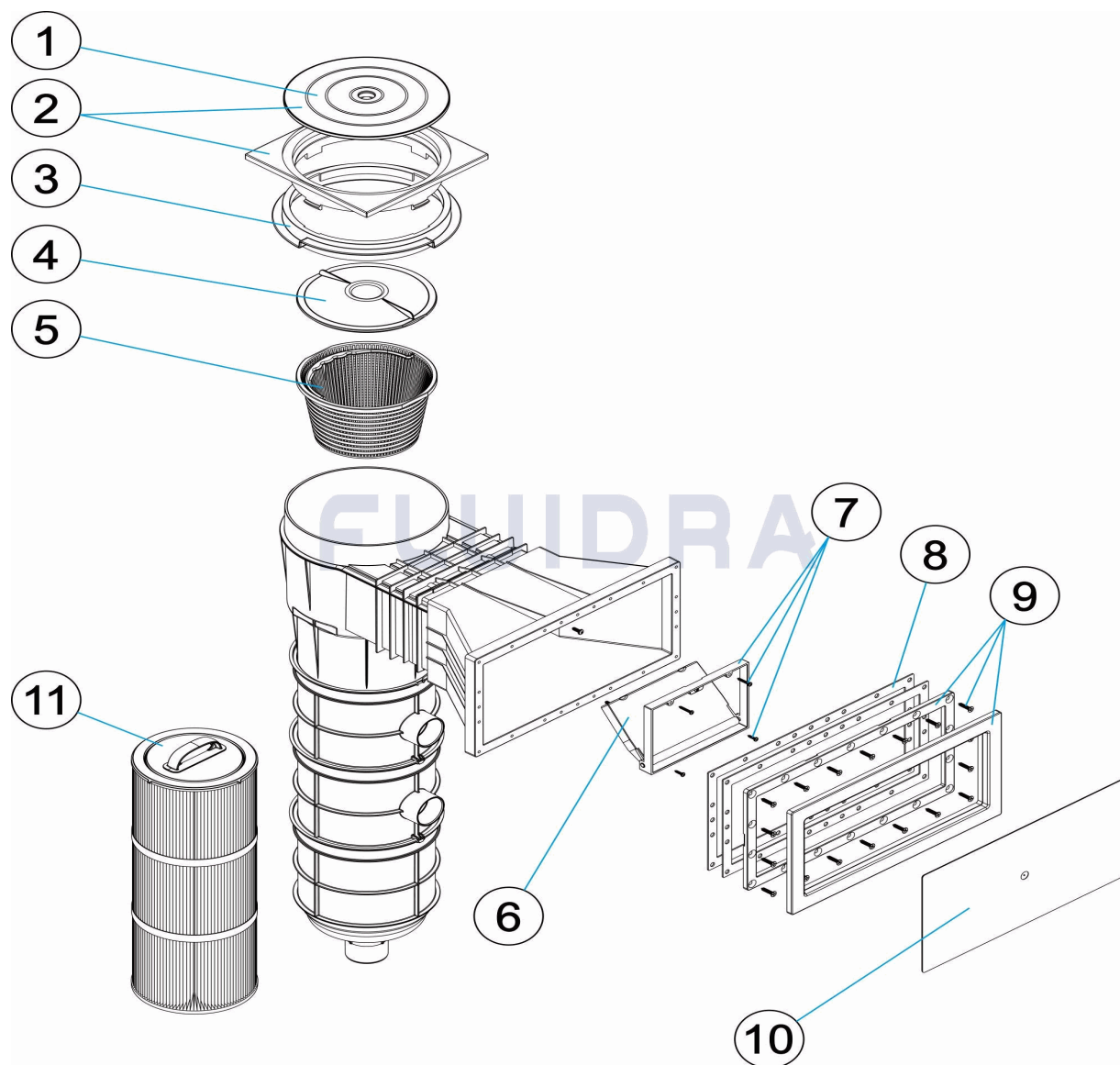
DESCRIPCION: SKIMMER CARTUCHO PP 16-20

OBSERVACIONES

POS	CODIGO	OBSERVACIONES
9	* 4402010169	PARA: POLYESTER POOL
11	* 73164	PARA: 73159
11	* 73165	PARA: 73162

CODE 73159, 73162

DESCRIPTION: SKIMMER CARTOUCHE PP 16-20



FRANCAIS

POS	CODE	DESCRIPTION	QUANTITE	POS	CODE	DESCRIPTION	QUANTITE
1	4402013809	COUVERCLE ROND SKIMMER		8	4402010407	JOINT SKIM GRAND MOD PISCINE LINER	
2	4402013807	CADRE ET COUVERCLE ROND		9	4402012012	CADRE BOUCHE SKIMMER P.P.	
3	4402010506	CADRE REHAUSSE COUVERCLE		9	* 4402010169	CADRE BOUCHE SKIMMER P.P.	
4	4402010505	COUVERCLE PANIER SKIMMER		10	4402010153	PROTECTION DE COUVERTURE SK CARTC	
5	4402010504	PANIER SKIMMER 17,5 LTS		11	* 73164	CARTOUCHE 16 M3/H	
6	4402010501	VOLET DE SKIMMER		11	* 73165	CARTOUCHE 20 M3/H	
7	4402010508	CADRE VOLET SKIMMER					

CODE **73159, 73162**

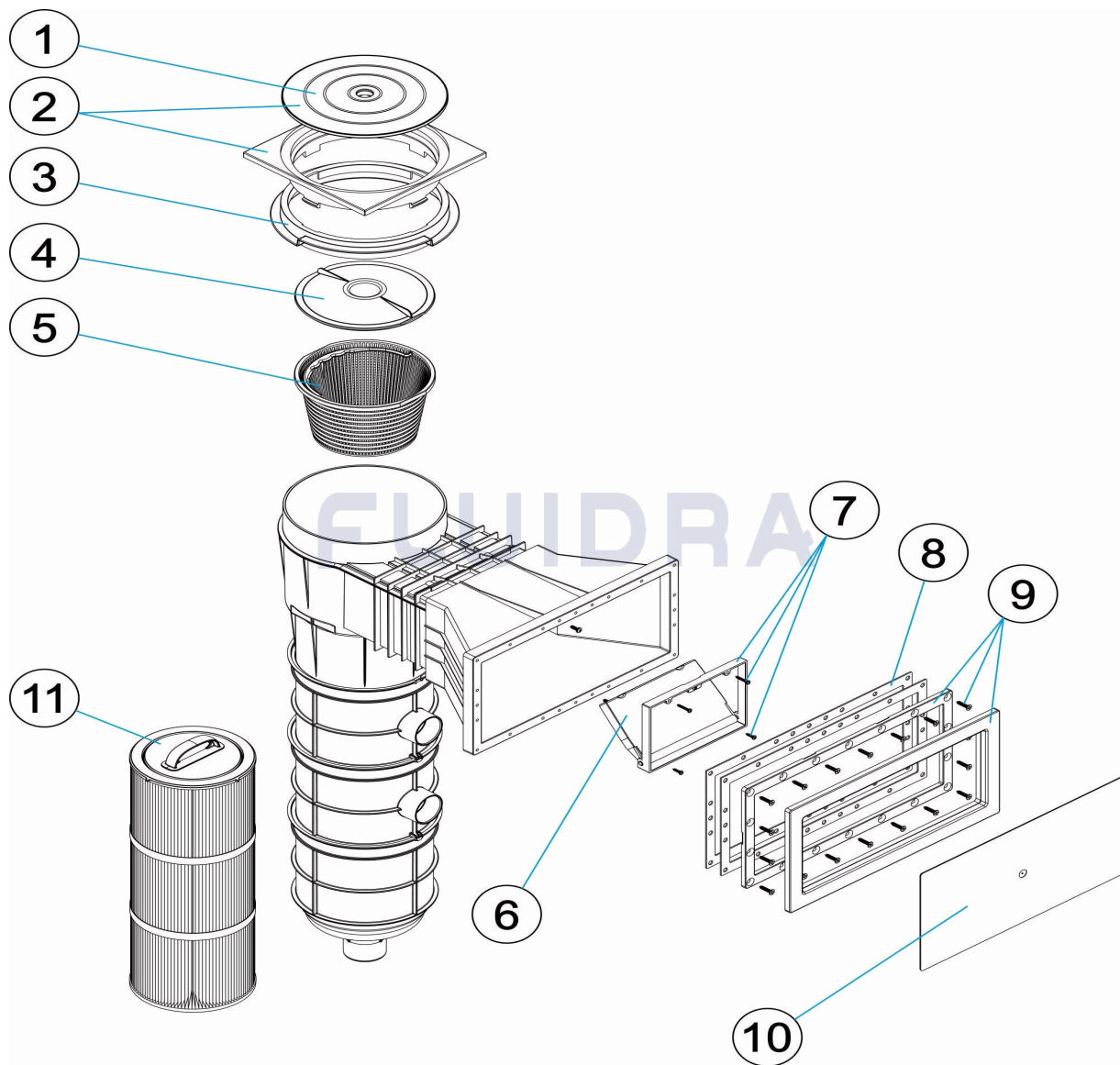
DESCRIPTION: **SKIMMER CARTOUCHE PP 16-20**

OBSERVATIONS

POS	CODE	OBSERVATIONS
9	* 4402010169	POUR: POLYESTER POOL
11	* 73164	POUR: 73159
11	* 73165	POUR: 73162

CODE 73159, 73162

DESCRIPTION: PP 16-20 CARTRIDGE SKIMMER



ENGLISH

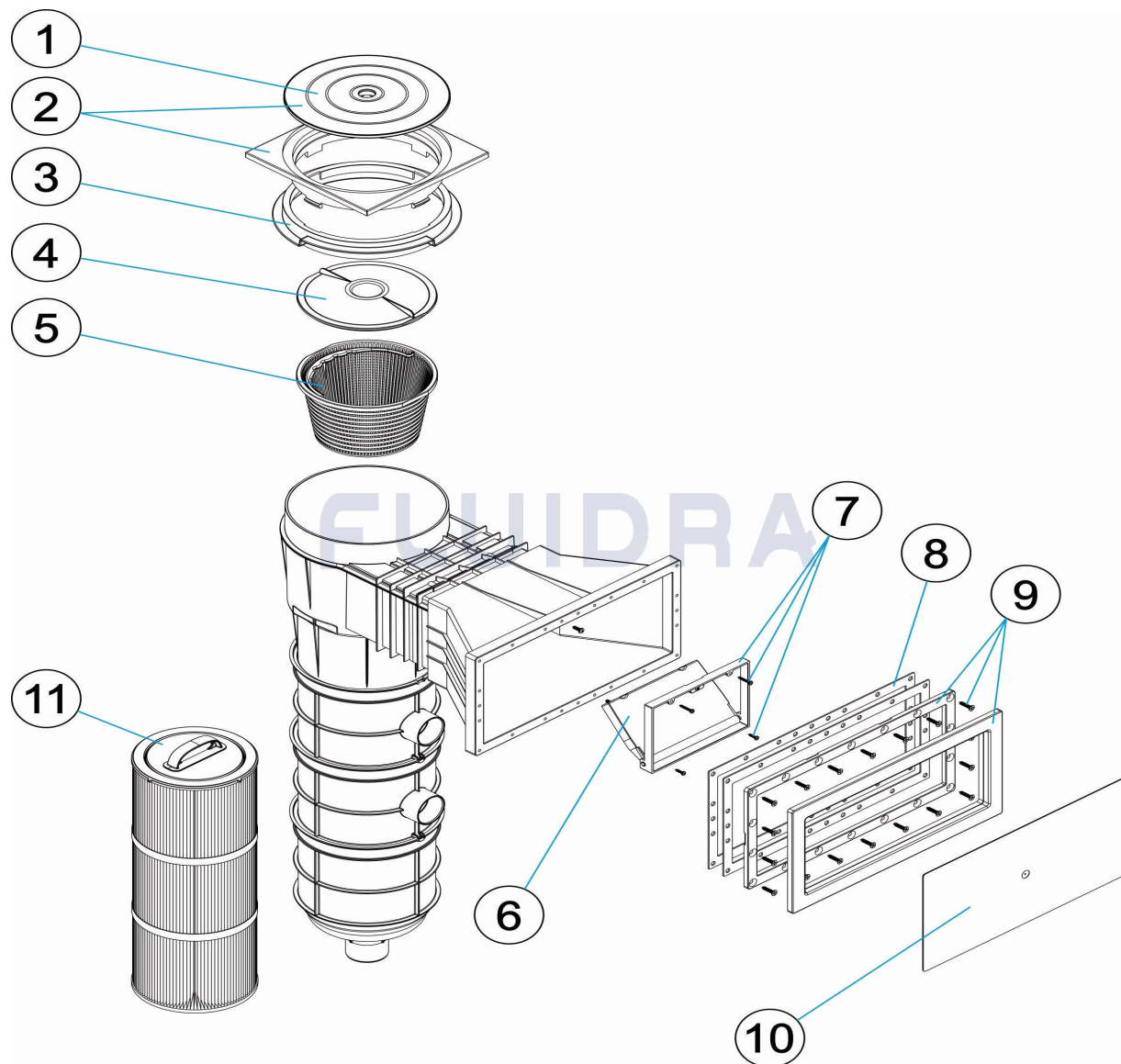
POS	CODE	DESCRIPTION	QUANTITY	POS	CODE	DESCRIPTION	QUANTITY
1	4402013809	CIRCULAR SKIMMER LID		8	4402010407	LARGE SKIMMER GASKETS FOR LINER	
2	4402013807	SQUARE RIM AND LID		9	4402012012	SKIMMER FRAME P.P.	
3	4402010506	COLLAR EXTENSION RING		9	* 4402010169	SKIMMER FRAME P.P.	
4	4402010505	VACUUM PLATE		10	4402010153	CARTRIDGE SKIMMER COVER PROTECTIC	
5	4402010504	BASKET 17,5 LITRES		11	* 73164	CARTRIDGE 16 M3/H	
6	4402010501	SKIMMER FLAP		11	* 73165	CARTRIDGE 20 M3/H	
7	4402010508	FLAP FRAME					

CODE **73159, 73162**DESCRIPTION: **PP 16-20 CARTRIDGE SKIMMER****OBSERVATIONS**

POS	CODE	OBSERVATIONS
9	* 4402010169	FOR: POLYESTER POOL
11	* 73164	FOR: 73159
11	* 73165	FOR: 73162

CODICE 73159, 73162

DESCRIZIONE: SKIMMER CARTUCCIA PP 16-20



ITALIANO

POS	CODICE	DESCRIZIONE	QUANTITA'	POS	CODICE	DESCRIZIONE	QUANTITA'
1	4402013809	COPERCHIO TONDO SKIMMER		8	4402010407	GUARNIZIONE PER SKIMMER BOCCA A V P	
2	4402013807	FLANGIA QUADRATA E COPERCHIO		9	4402012012	FLANGIA BOCCA SKIMMER P.P.	
3	4402010506	ANELLO DISTANZIATORE SKIMMER		9	* 4402010169	FLANGIA BOCCA SKIMMER P.P.	
4	4402010505	COPERCHIO CESTELLO SKIMMER		10	4402010153	PROTEZIONE COPIFERRO SKIMMER CART	
5	4402010504	CESTELLO SKIMMER DA 17,5 LITRI		11	* 73164	CARTUCCIA 16 M3/H	
6	4402010501	BATTENTE SKIMMER CON CLIP		11	* 73165	CARTUCCIA 20 M3/H	
7	4402010508	CORNICE BATTENTE SKIMMER					

CODICE **73159, 73162**

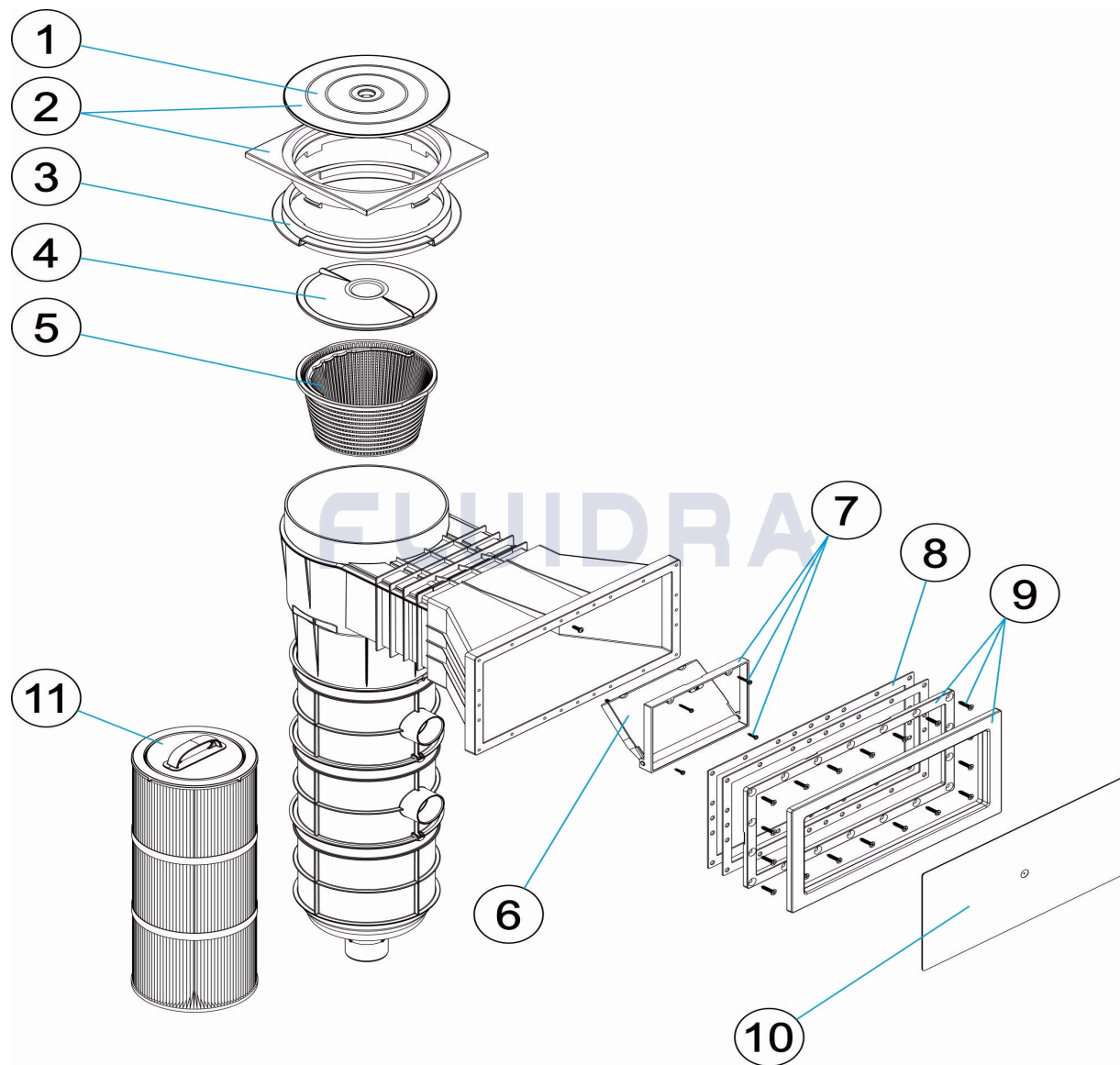
DESCRIZIONE: **SKIMMER CARTUCCIA PP 16-20**

OSSERVAZIONI

POS	CODICE	OSSERVAZIONI
9	* 4402010169	PER: POLYESTER POOL
11	* 73164	PER: 73159
11	* 73165	PER: 73162

CODE 73159, 73162

BESCHREIBUNG: SKIMMER KARTUSCHE PP 16-20



DEUTSCH

POS	CODE	BESCHREIBUNG	MENGE	POS	CODE	BESCHREIBUNG	MENGE
1	4402013809	ABDECKUNG RUND SKIMMER		8	4402010407	DICHTUNG SKIMMER GROSS FERTIGBECK	
2	4402013807	QUADRATISCHER RAHMEN UND ABDECKL		9	4402012012	RAHMEN SKIMMEREINLASS FERTIGBECKE	
3	4402010506	DISTANZRING SKIMMER		9	* 4402010169	RAHMEN SKIMMEREINLASS FERTIGBECKE	
4	4402010505	ABDECKUNG SKIMMKORB		10	4402010153	SICHERHEITSSABDECKUNG SKIMMER KAR1	
5	4402010504	SKIMMERKORB 17,5 L		11	* 73164	KARTUSCHE 16 M3/H	
6	4402010501	SKIMMERKLAPPE MIT CLIP		11	* 73165	KARTUSCHE 20 M3/H	
7	4402010508	RAHMEN SKIMMERKLAPPE					

CODE **73159, 73162**

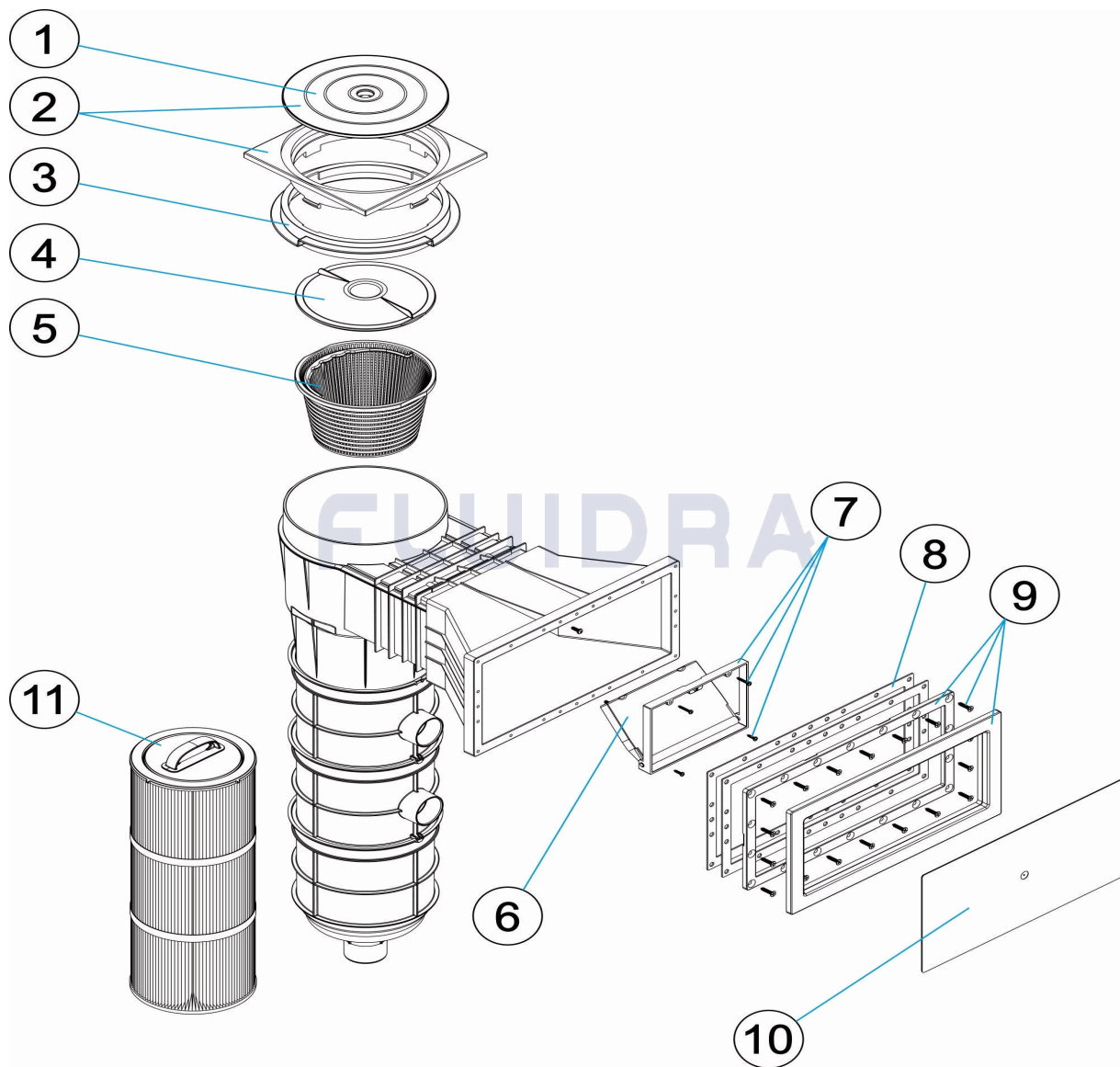
BESCHREIBUNG: **SKIMMER KARTUSCHE PP 16-20**

HINWEISE

POS	CODE	HINWEISE
9	* 4402010169	FÜR: POLYESTER POOL
11	* 73164	FÜR: 73159
11	* 73165	FÜR: 73162

CODIGO 73159, 73162

DESCRIÇÃO: SKIMMER CARTUCHO PP 16-20



PORTUGUES

POS	CODIGO	DESCRIÇÃO	JANTIDADE	POS	CODIGO	DESCRIÇÃO	JANTIDADE
1	4402013809	TAMPA CIRCULAR SKIMMER		8	4402010407	JUNTA GRANDE DE SKIMMER	
2	4402013807	ARO QUADRADO E TAMPA		9	4402012012	CAIXILHO BOCA SKIMMER P.P.	
3	4402010506	ANEL DISTANCIADOR SKIMMER		9	* 4402010169	CAIXILHO BOCA SKIMMER P.P.	
4	4402010505	TAMPA CESTO SKIMMER		10	4402010153	PROTEÇÃO DA COBERTURA SKIMMER CAI	
5	4402010504	CESTO SKIMMER 17,5 LTS		11	* 73164	CARTUCHO 16 M3/H	
6	4402010501	COMPORTA SKIMMER CLIP		11	* 73165	CARTUCHO 20 M3/H	
7	4402010508	CAIXILHO COMPORTA SKIMMER					

CODIGO 73159, 73162

DESCRIÇÃO: SKIMMER CARTUCHO PP 16-20

OBSERVAÇÕES

POS	CODIGO	OBSERVAÇÕES
9	* 4402010169	PARA: POLYESTER POOL
11	* 73164	PARA: 73159
11	* 73165	PARA: 73162